



US00D955481S

(12) **United States Design Patent** (10) **Patent No.:** **US D955,481 S**
Wu (45) **Date of Patent:** **** Jun. 21, 2022**

(54) **TOY GUN TARGET SET**

(71) Applicant: **Yun Wu**, Shantou (CN)

(72) Inventor: **Yun Wu**, Shantou (CN)

(**) Term: **15 Years**

(21) Appl. No.: **29/776,927**

(22) Filed: **Apr. 1, 2021**

(51) **LOC (13) Cl.** **21-01**

(52) **U.S. Cl.**
USPC **D21/302**

(58) **Field of Classification Search**
USPC D21/302, 324, 330, 790, 791; D22/112,
D22/113, 199; D20/19, 20, 21, 24,
D20/25-28, 41; 463/2; 273/407, 390;
248/158, 548
CPC F41J 5/10; F41J 7/00; G06T 7/70
See application file for complete search history.

(56) **References Cited**

U.S. PATENT DOCUMENTS

1,489,191	A *	4/1924	Chester	F41J 9/02 273/357
D255,700	S	7/1980	Dulude		
D455,811	S	4/2002	Fedio		
6,516,573	B1 *	2/2003	Farrell	E01F 9/635 116/63 R
D524,379	S *	7/2006	Law	D21/302
7,793,897	B2 *	9/2010	Wang	F16M 11/10 248/125.2
2002/0158413	A1 *	10/2002	Dehart	F41J 9/02 273/390
2006/0220318	A1 *	10/2006	Law	F41J 1/10 273/407
2006/0284035	A1 *	12/2006	Crosby	F41J 1/10 248/158
2009/0159762	A1 *	6/2009	Chinuki	F16M 11/42 248/158
2011/0062294	A1 *	3/2011	Johnson	A47F 7/024 248/161

2015/0069709	A1 *	3/2015	Doria	F41J 1/10 273/407
2015/0292842	A1 *	10/2015	Pixton	F41J 1/10 273/407
2019/0063884	A1 *	2/2019	McBride	F41J 5/14
2019/0376640	A1 *	12/2019	Innes	F16M 11/06

OTHER PUBLICATIONS

“SWEMNED Running Shooting Target for Nerf Gun” posted 2016 [Online],[Retrieved Nov. 20, 2021], retrieved from Internet: <https://amzn.to/3DAcEgB>.*

“Fibevon Target for Nerf Gun Practice” posted 2016 [Online],[Retrieved Nov. 20, 2021], retrieved from Internet:<https://amzn.to/30LNXzh>.*

* cited by examiner

Primary Examiner — Mehri F Bajoul

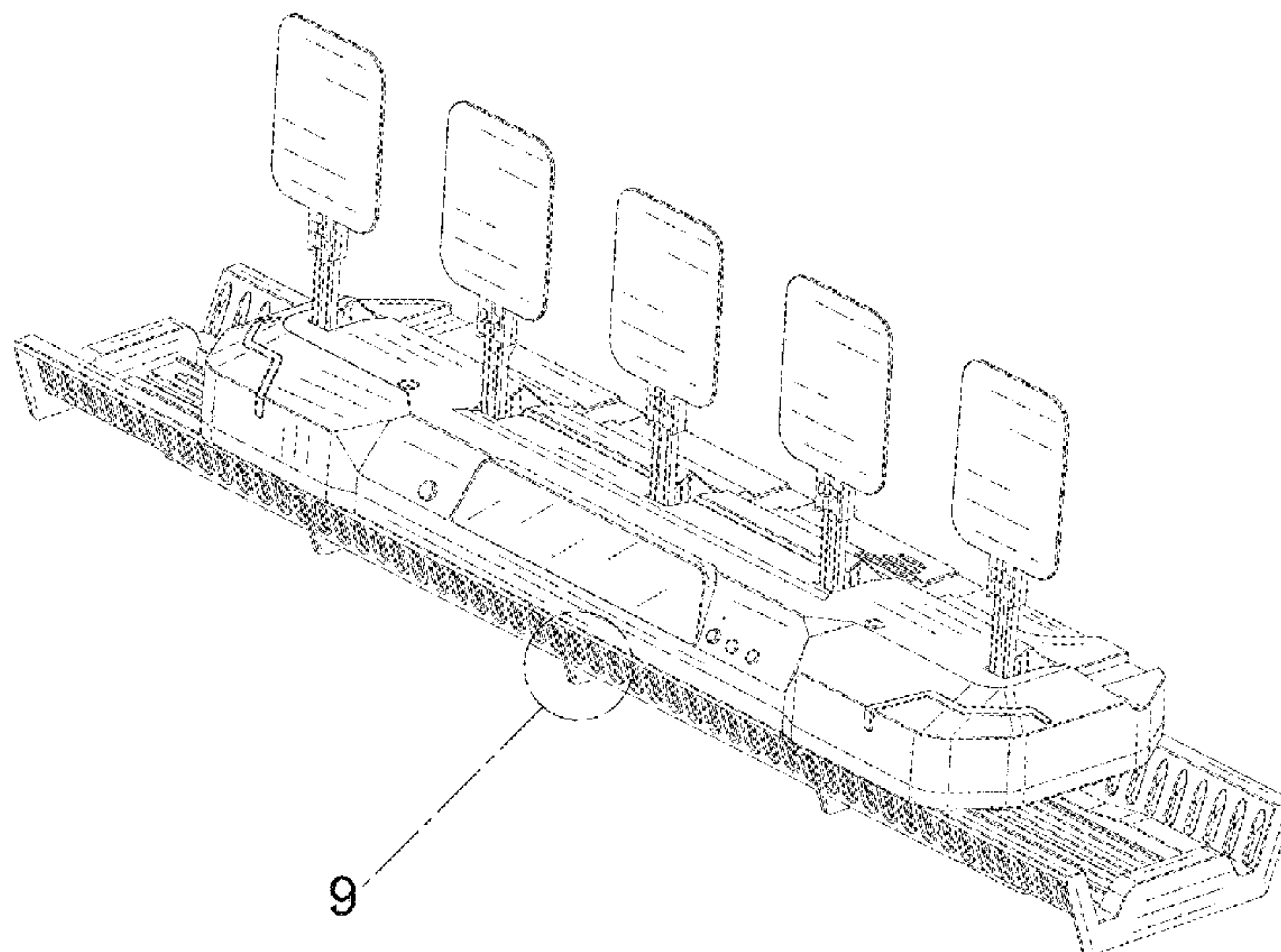
(57) **CLAIM**

The ornamental design for a toy gun target set, as shown and described.

DESCRIPTION

FIG. 1 is a perspective view of a toy gun target set showing my new design;
 FIG. 2 is an exploded perspective view thereof;
 FIG. 3 is a front view of FIG. 1;
 FIG. 4 is a back view thereof;
 FIG. 5 is a left side showing the target portion separately for ease of illustrations;
 FIG. 6 is a right side view thereof;
 FIG. 7 is a top plan view of FIG. 1;
 FIG. 8 is a bottom plan view of FIG. 1; and,
 FIG. 9 is an enlarged view of portion of FIG. 1.
 The long-short dash lines in FIGS. 1 and 9 are used to illustrate bounds of the magnified portion of the toy gun target set that form no part of the claimed design, and the even dash-dash broken lines depict portions of the toy gun target set that form no part of the claimed design.

1 Claim, 9 Drawing Sheets



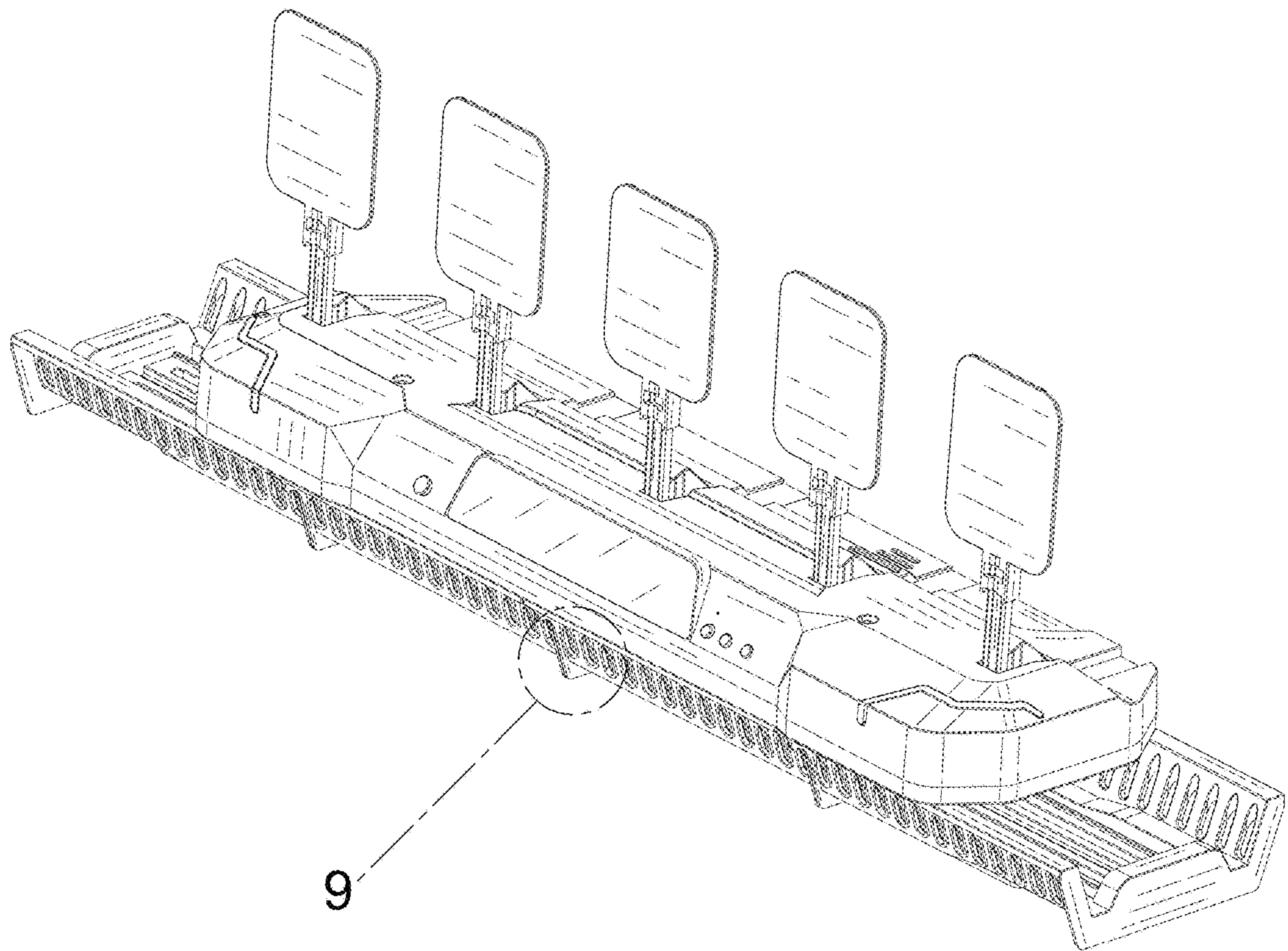


FIG. 1

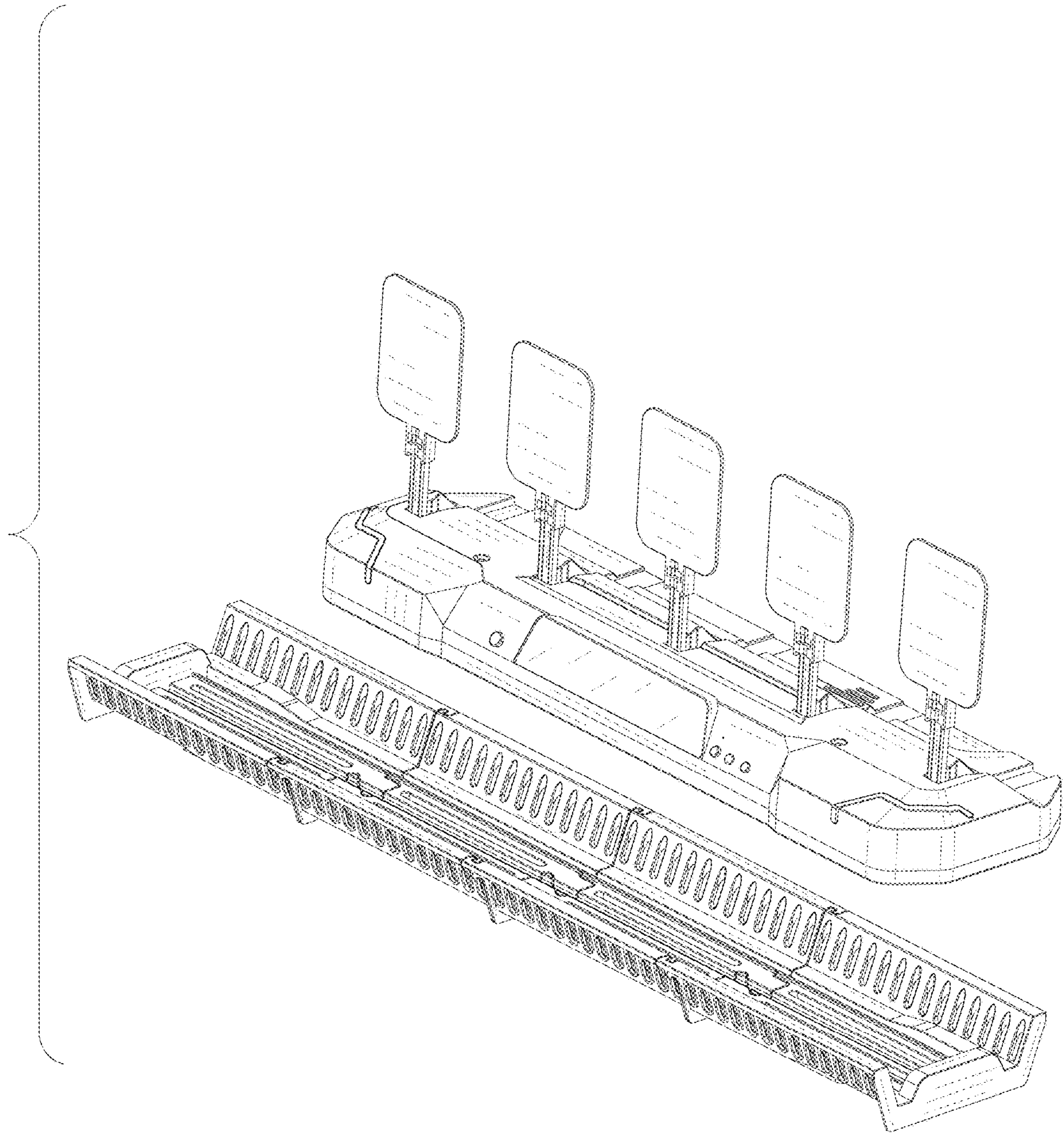


FIG. 2

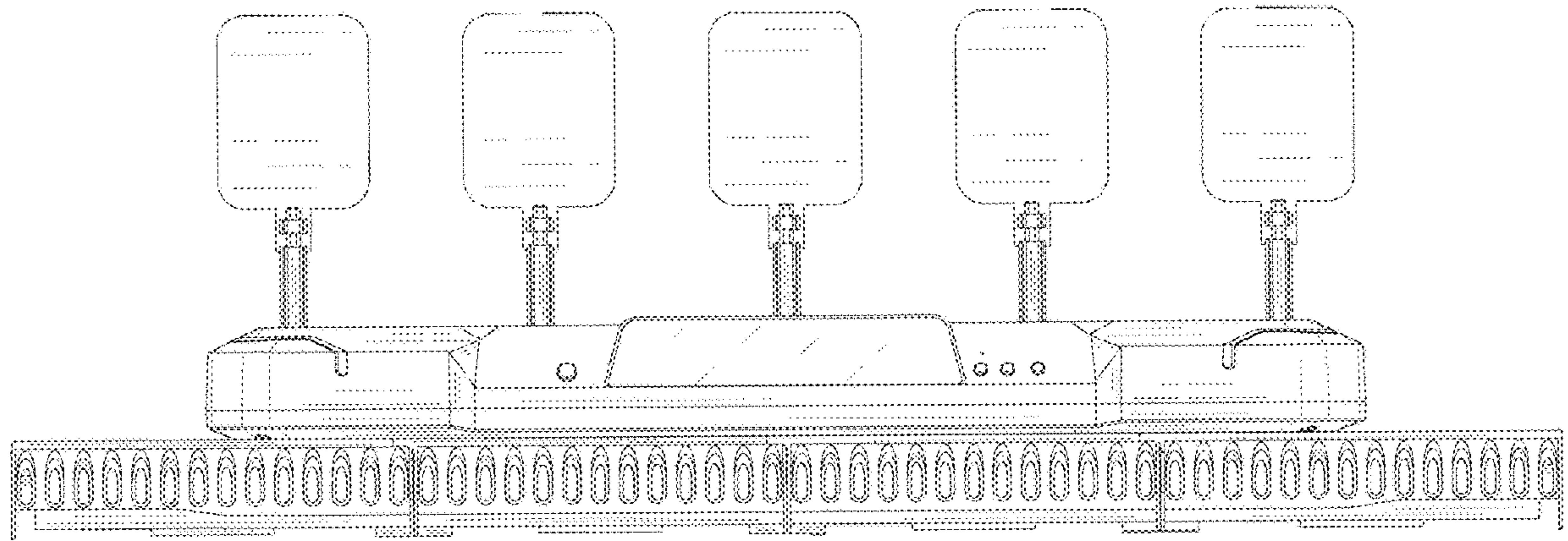


FIG. 3

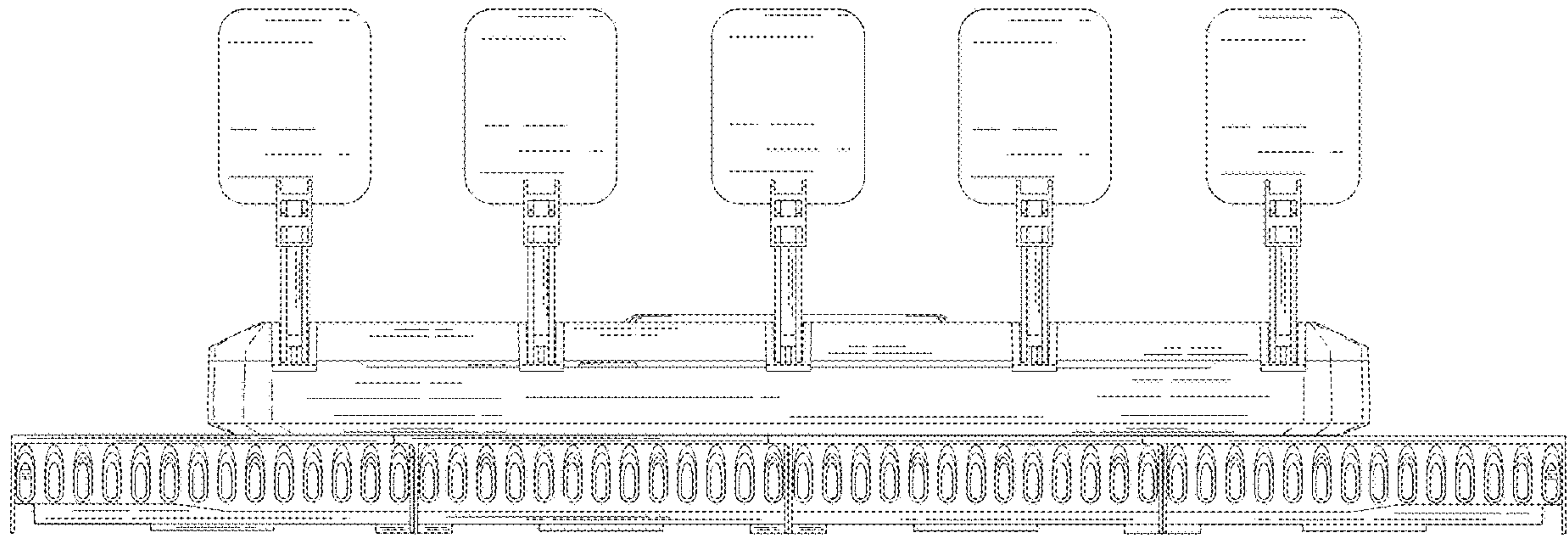


FIG. 4

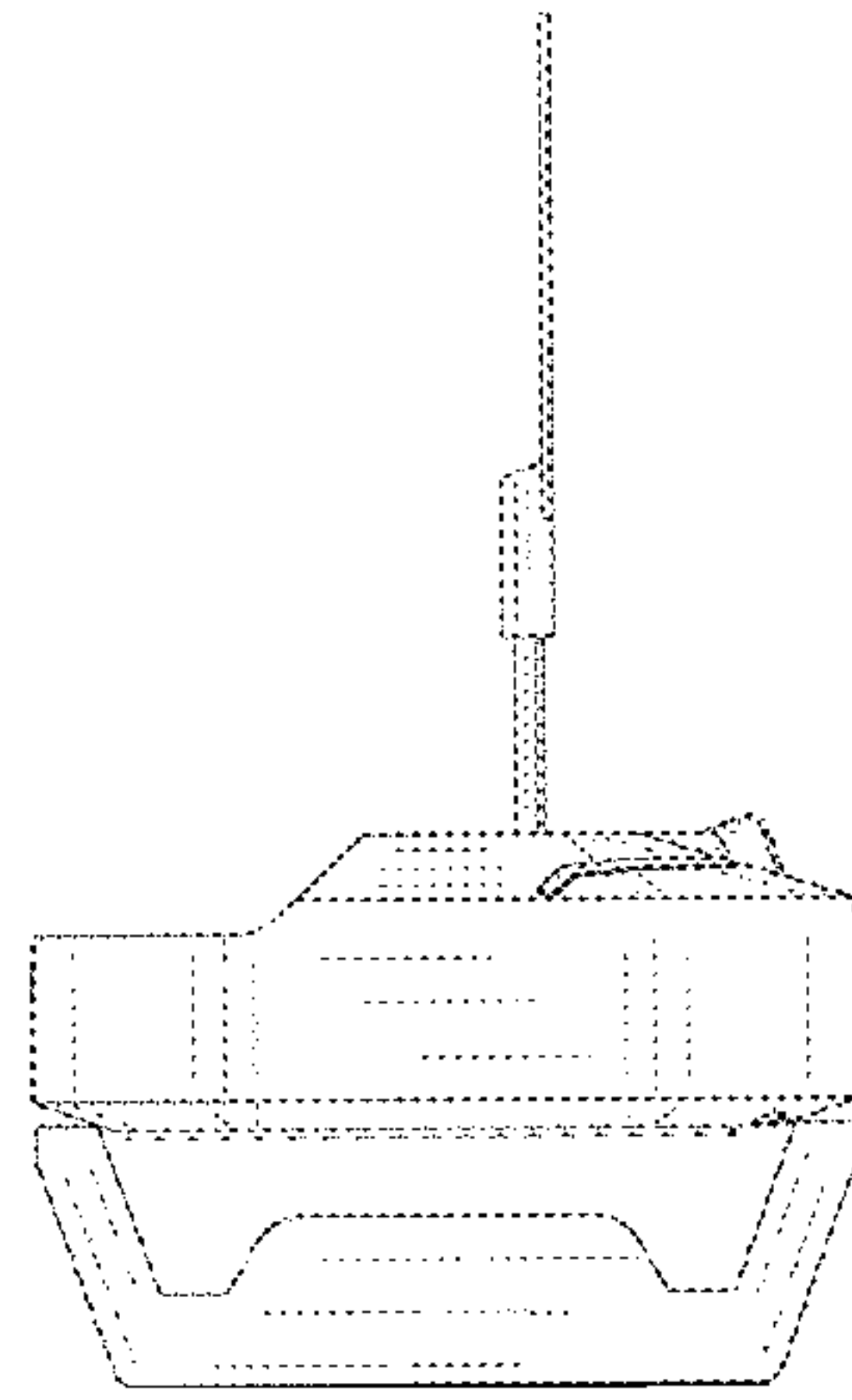


FIG. 5

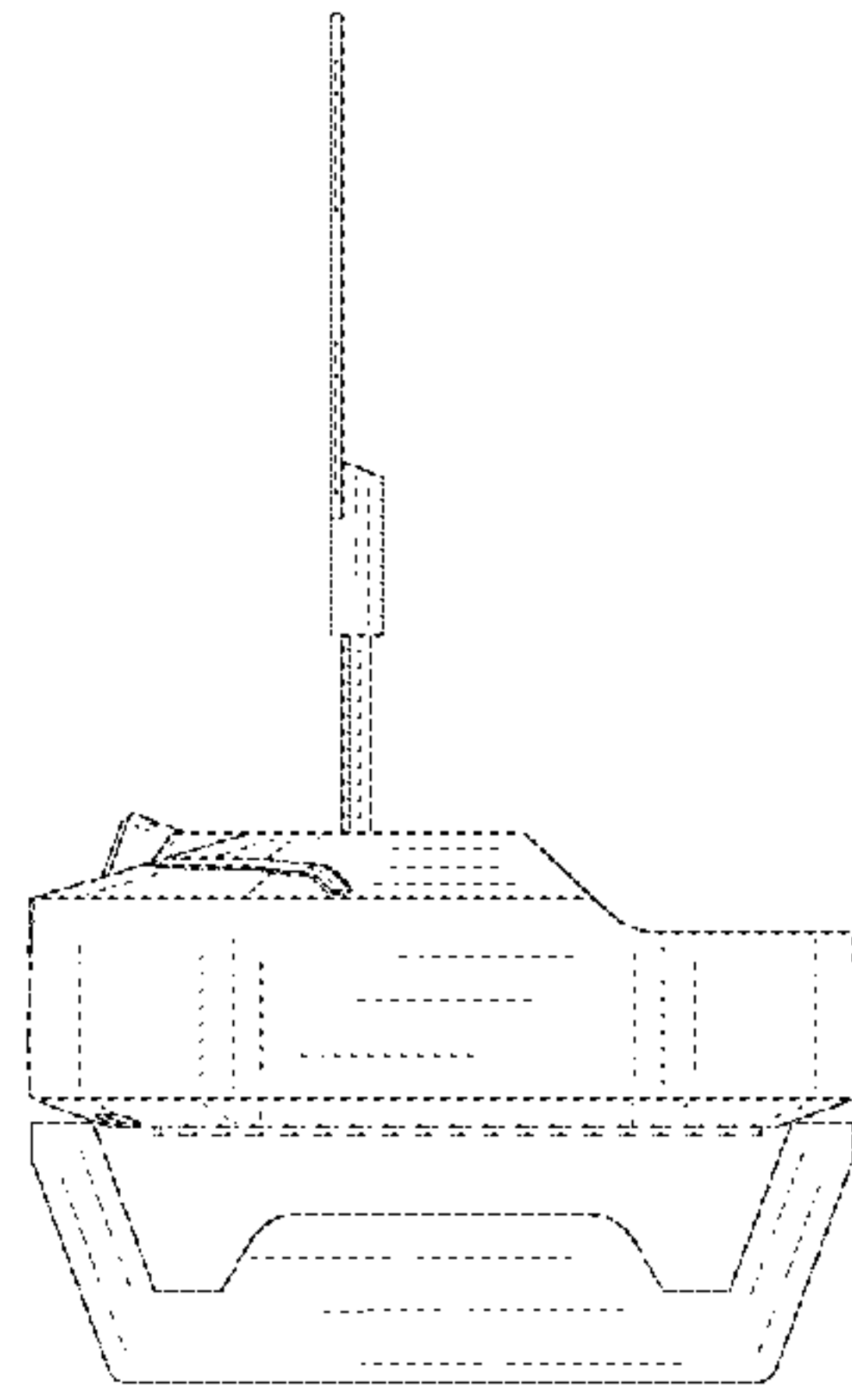


FIG. 6

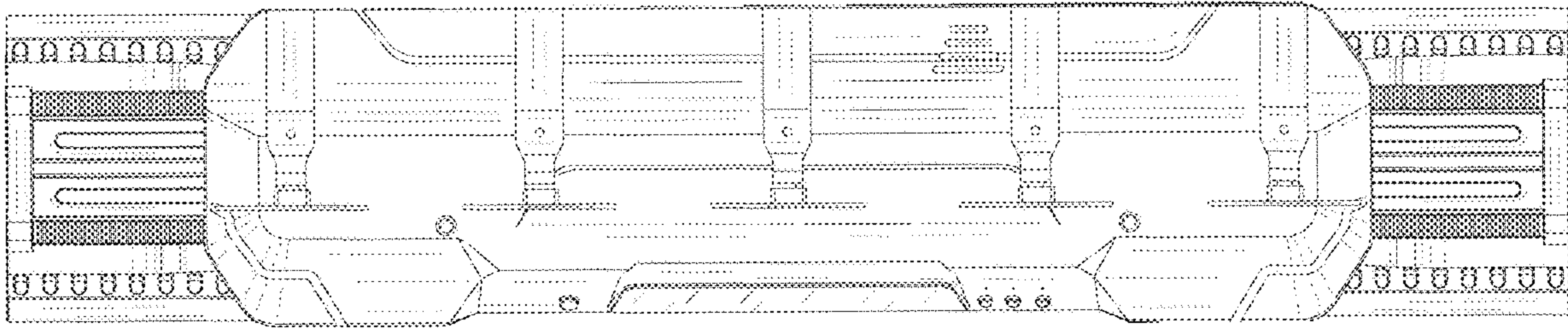


FIG. 7

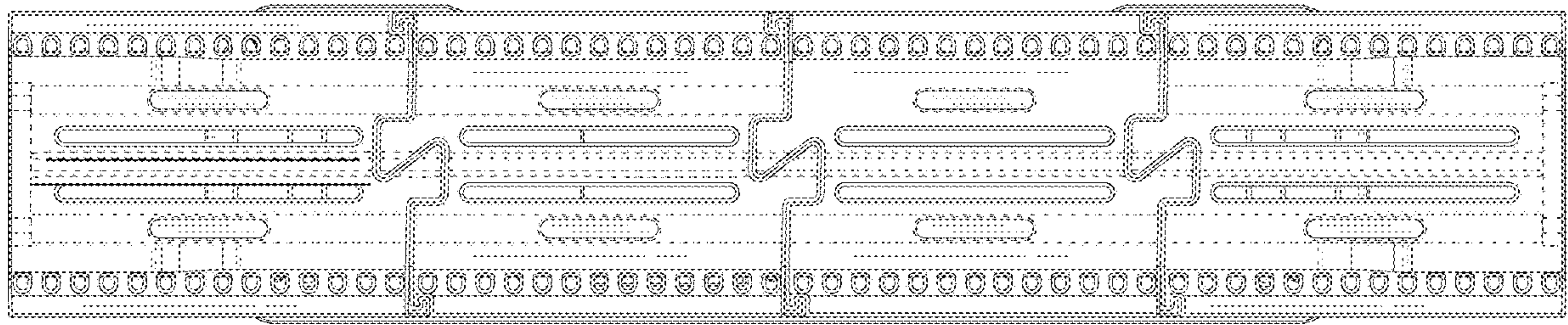


FIG. 8

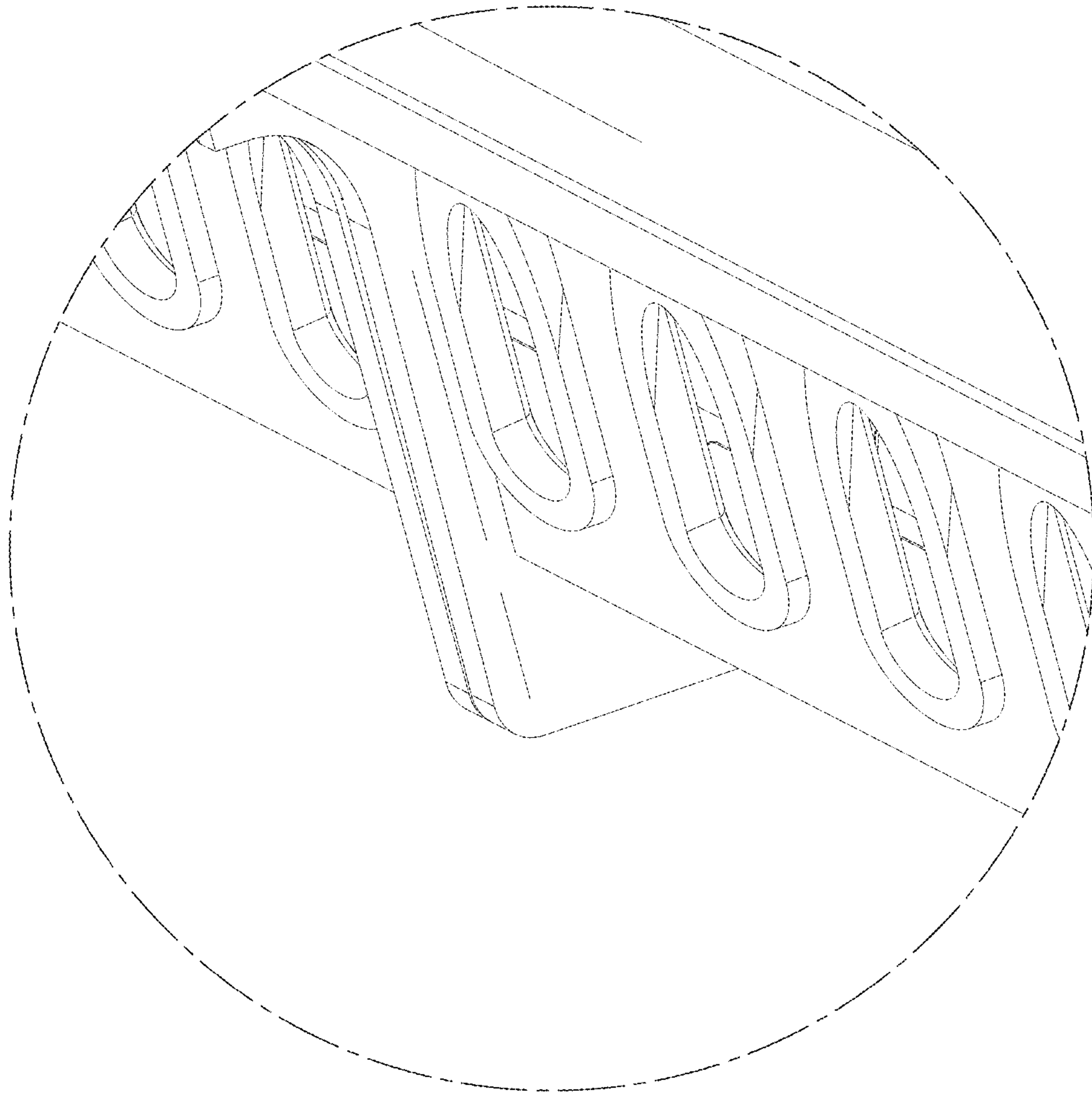


FIG. 9