



US00D955480S

(12) **United States Design Patent**
Hyppa

(10) **Patent No.:** **US D955,480 S**

(45) **Date of Patent:** **** Jun. 21, 2022**

(54) **GAME BOARD**

(71) Applicant: **Richard G. Hyppa**, Troy, CA (US)

(72) Inventor: **Richard G. Hyppa**, Troy, CA (US)

(**) Term: **15 Years**

(21) Appl. No.: **29/739,872**

(22) Filed: **Jun. 30, 2020**

(51) **LOC (13) Cl.** **21-01**

(52) **U.S. Cl.**
USPC **D21/302**

(58) **Field of Classification Search**
USPC D21/300, 302, 303, 312, 322, 324, 342,
D21/790; D6/301, 302, 320, 321, 660,
D6/661.2, 683, 683.1, 657, 672, 673, 675,
D6/675.4, 680.2, 681, 706, 707, 7.18,
D6/707.19; D7/601, 632, 637-641,
D7/675.1; 273/400, 402
CPC A63B 67/06; A63B 63/00; A63B 63/08;
A63B 2208/12; A63B 71/023; A63B
67/00; A63B 71/0672; A63F 9/0204;
A63F 3/02

See application file for complete search history.

5,333,879 A * 8/1994 Barnes A63B 63/007
273/400

D373,147 S * 8/1996 Varga D21/303

D404,080 S * 1/1999 Parker D21/302

D438,910 S * 3/2001 Culberson D21/303

8,794,629 B1 * 8/2014 Humphreys, Jr. A63F 1/04
273/400

D729,319 S * 5/2015 Meissner D21/303

D729,320 S * 5/2015 Parker D21/303

D779,240 S * 2/2017 Tio D6/675

D852,555 S * 7/2019 Fenneman D6/675.1

D875,833 S * 2/2020 Fairchild D21/302

D895,732 S * 9/2020 Saleeby D21/303

(Continued)

OTHER PUBLICATIONS

“Cliffhanger Toss Game”, posted Jul. 22, 2020[Online], [retrieved Sep. 27, 2021], Retrieved from Internet, <https://www.amazon.com/Franklin-Sports-Cliffhanger-Toss-Game/dp/B08DHJWXVK>.*

Primary Examiner — Mehri F Bajoul
(74) *Attorney, Agent, or Firm* — Dale Jensen, PLC; Dale Jensen

(57) **CLAIM**

The ornamental design for a game board, as shown.

DESCRIPTION

FIG. 1 is a front right perspective view of a game board showing my new design;

FIG. 2 is a back right perspective view of the game board;

FIG. 3 is a front right bottom perspective view of the game board;

FIG. 4 is a front elevational view of the game board;

FIG. 5 is a back elevational view of the game board;

FIG. 6 is a right side elevational view of the game board;

FIG. 7 is a left side elevational view of the game board;

FIG. 8 is a top plan view of the game board; and,

FIG. 9 is a bottom plan view of the game board.

1 Claim, 9 Drawing Sheets

(56) **References Cited**

U.S. PATENT DOCUMENTS

406,342 A * 7/1889 Dumont A63B 67/06
273/402

1,542,063 A * 6/1925 Knight A63F 9/0204
273/399

1,996,986 A * 4/1935 Weinberg A63F 9/0204
273/400

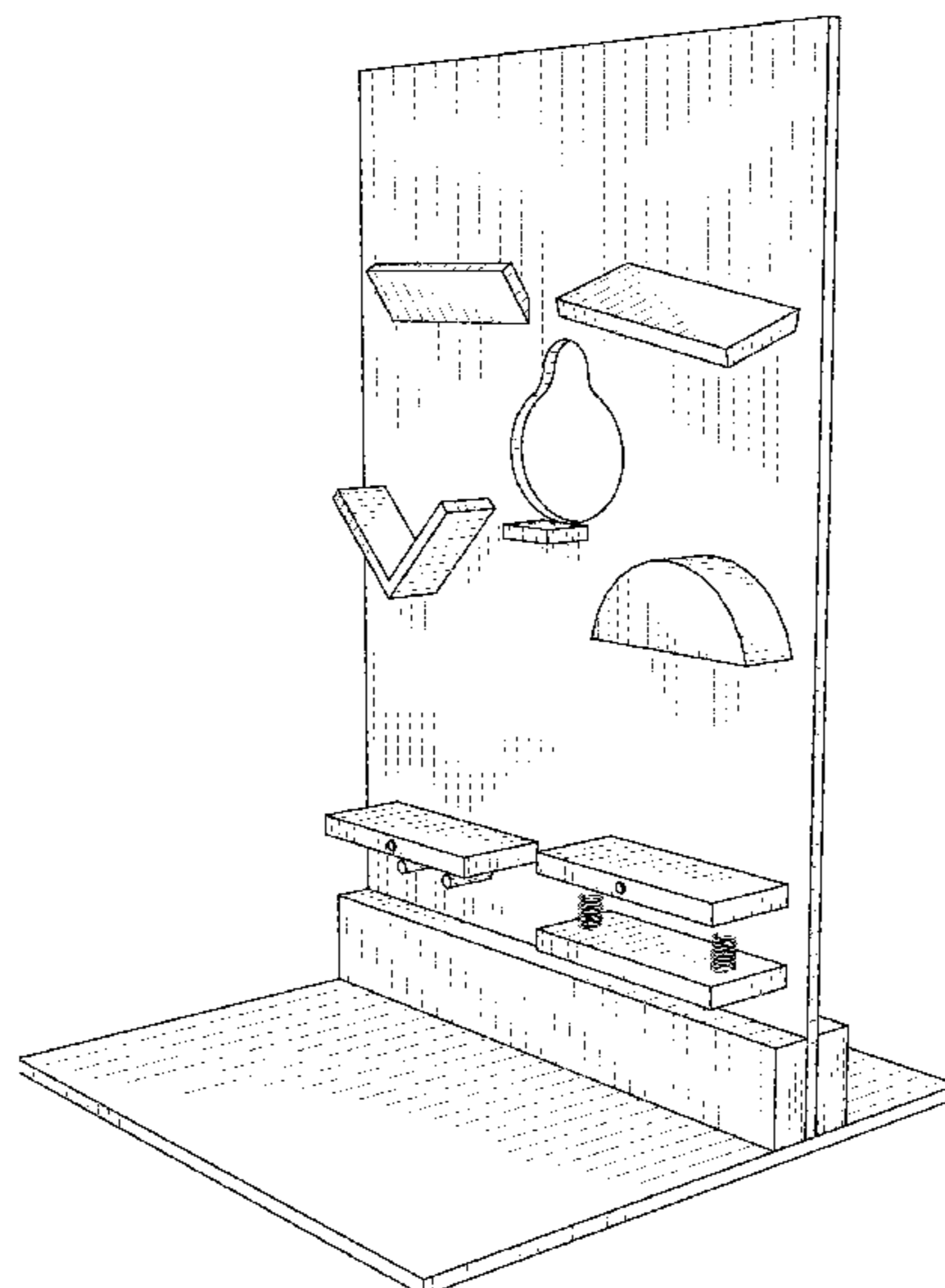
3,825,262 A * 7/1974 Grzybowski A63B 67/10
273/412

D246,476 S * 11/1977 McGuire D21/302

4,927,160 A * 5/1990 Nichol A63F 9/02
273/118 A

D318,883 S * 8/1991 Pazienza D21/303

D345,381 S * 3/1994 Varga D21/303



(56)

References Cited

U.S. PATENT DOCUMENTS

2010/0194047 A1* 8/2010 Sauerwine A63B 67/06
273/400
2014/0145401 A1* 5/2014 Powers A63B 67/06
273/402
2017/0113112 A1* 4/2017 Voss A63B 67/06
2018/0049553 A1* 2/2018 Fecher A63F 11/0025
2018/0256954 A1* 9/2018 Schmidt A63B 63/08

* cited by examiner

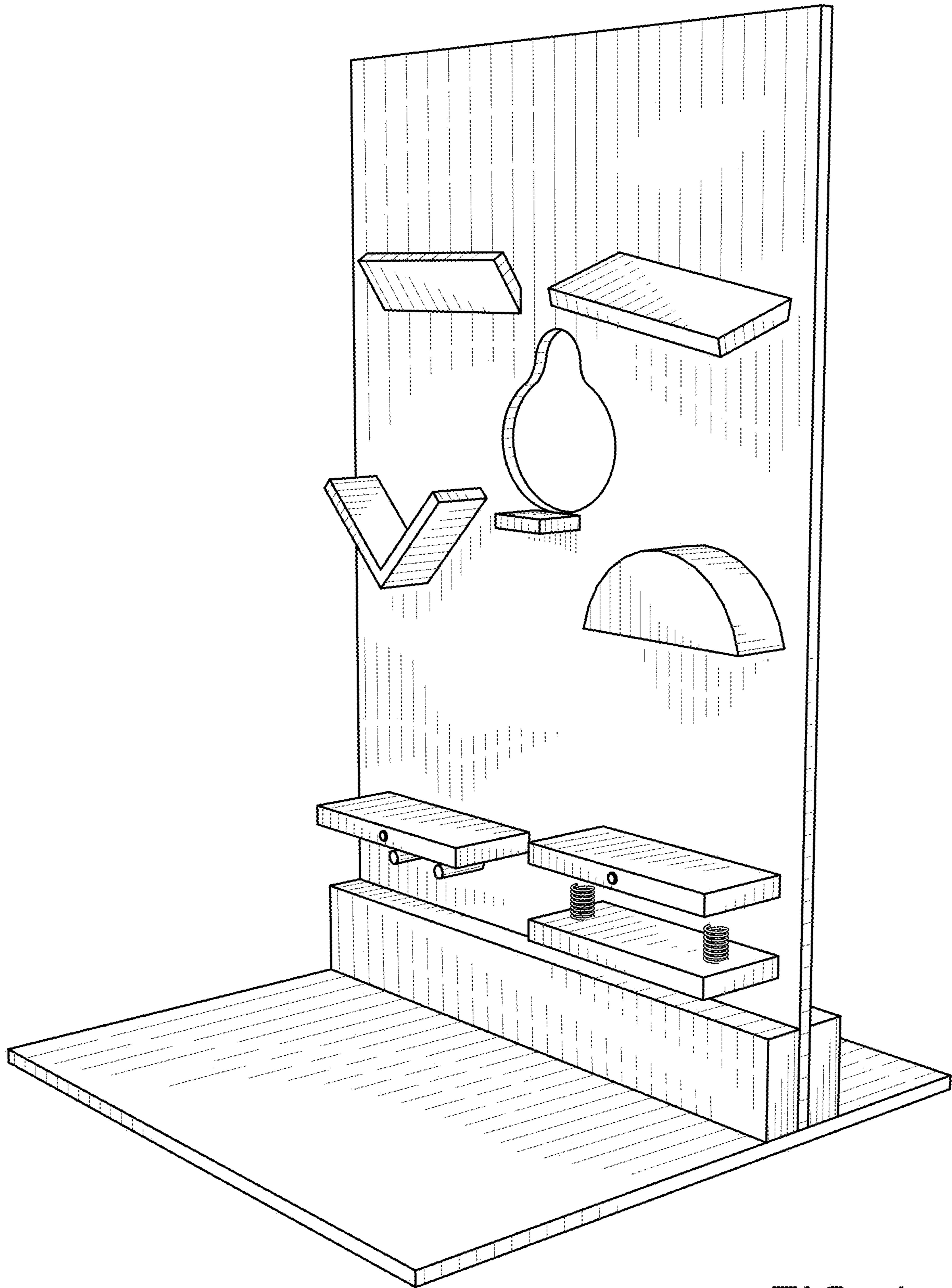


FIG. 1

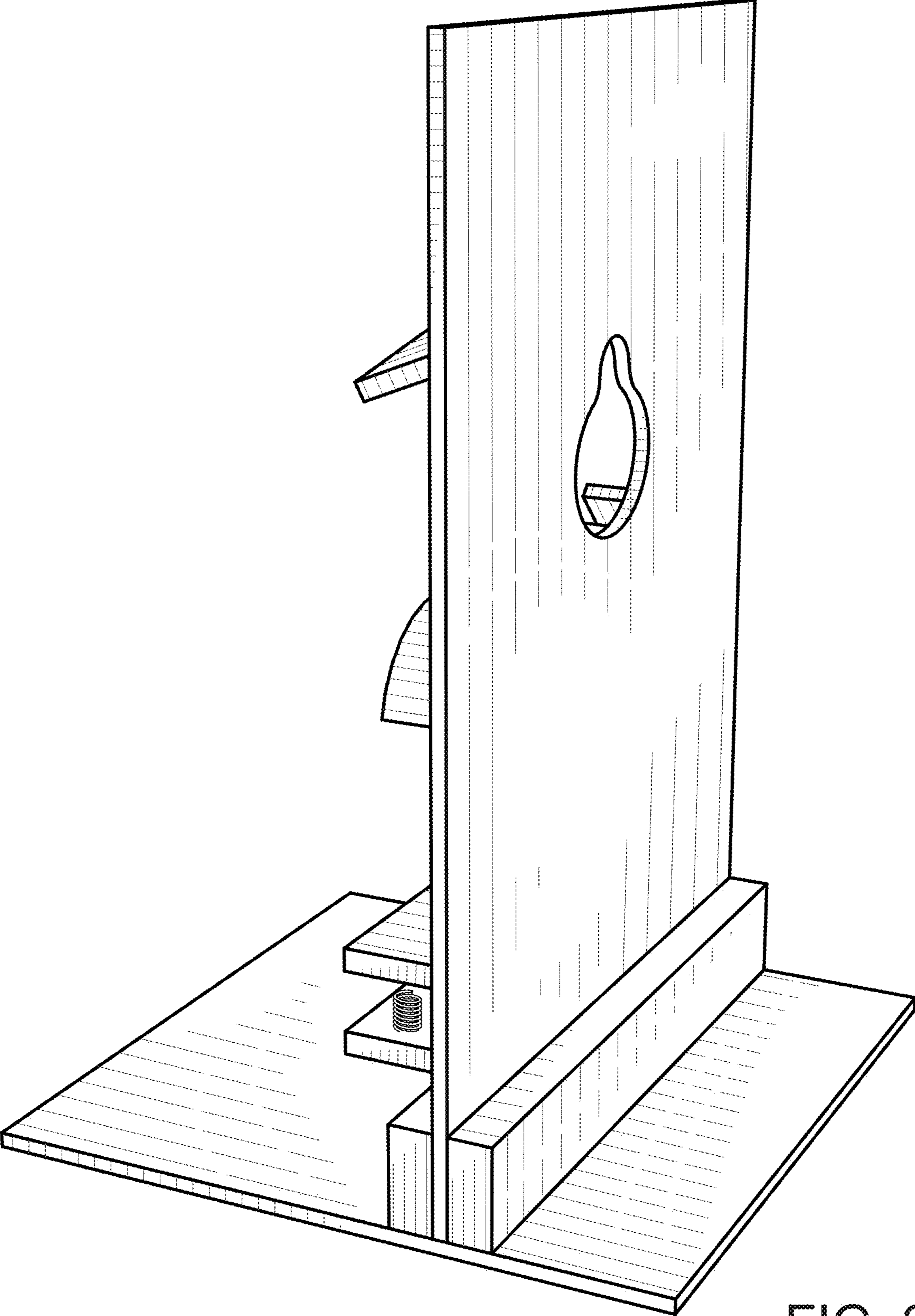


FIG. 2

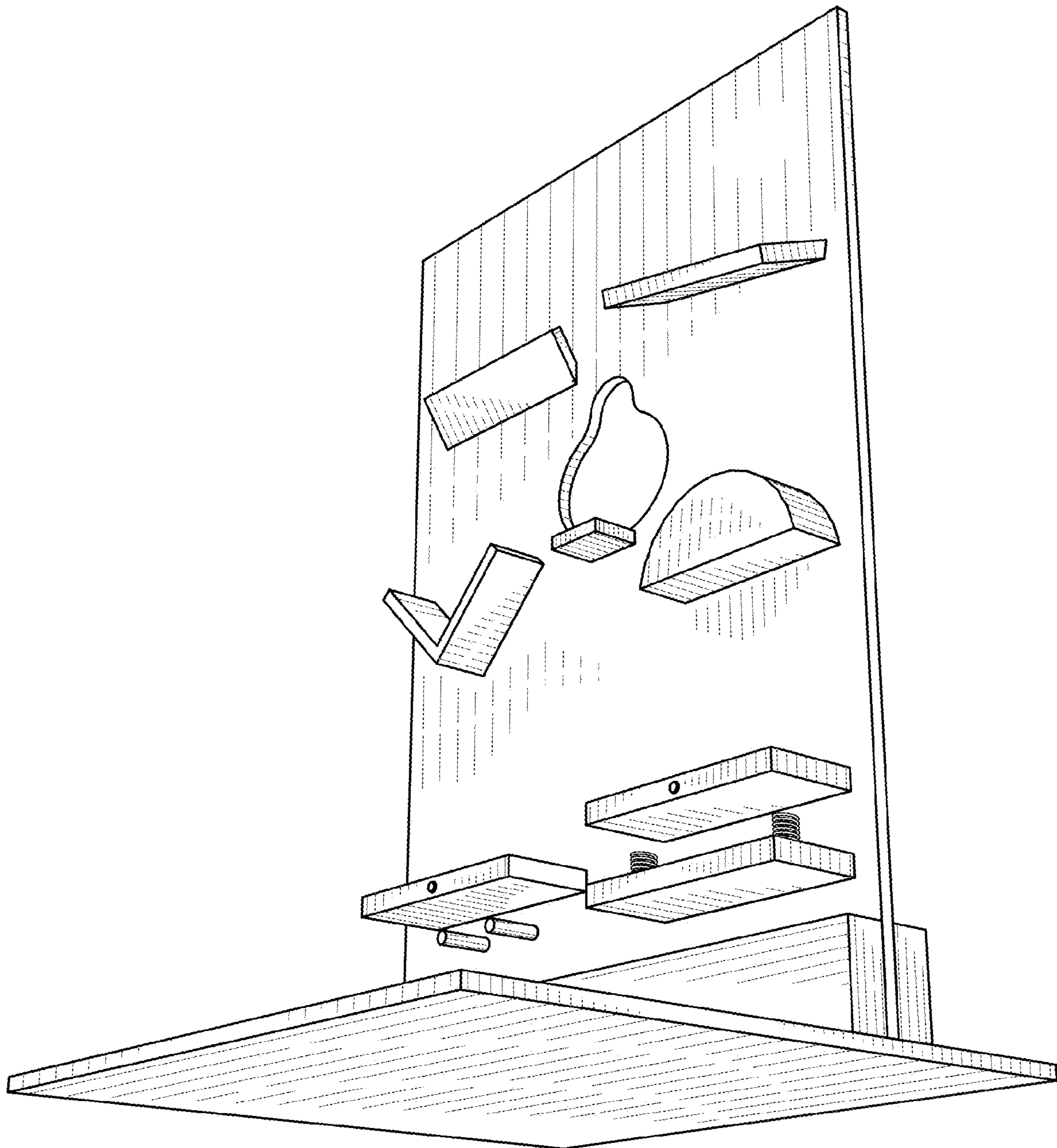


FIG. 3

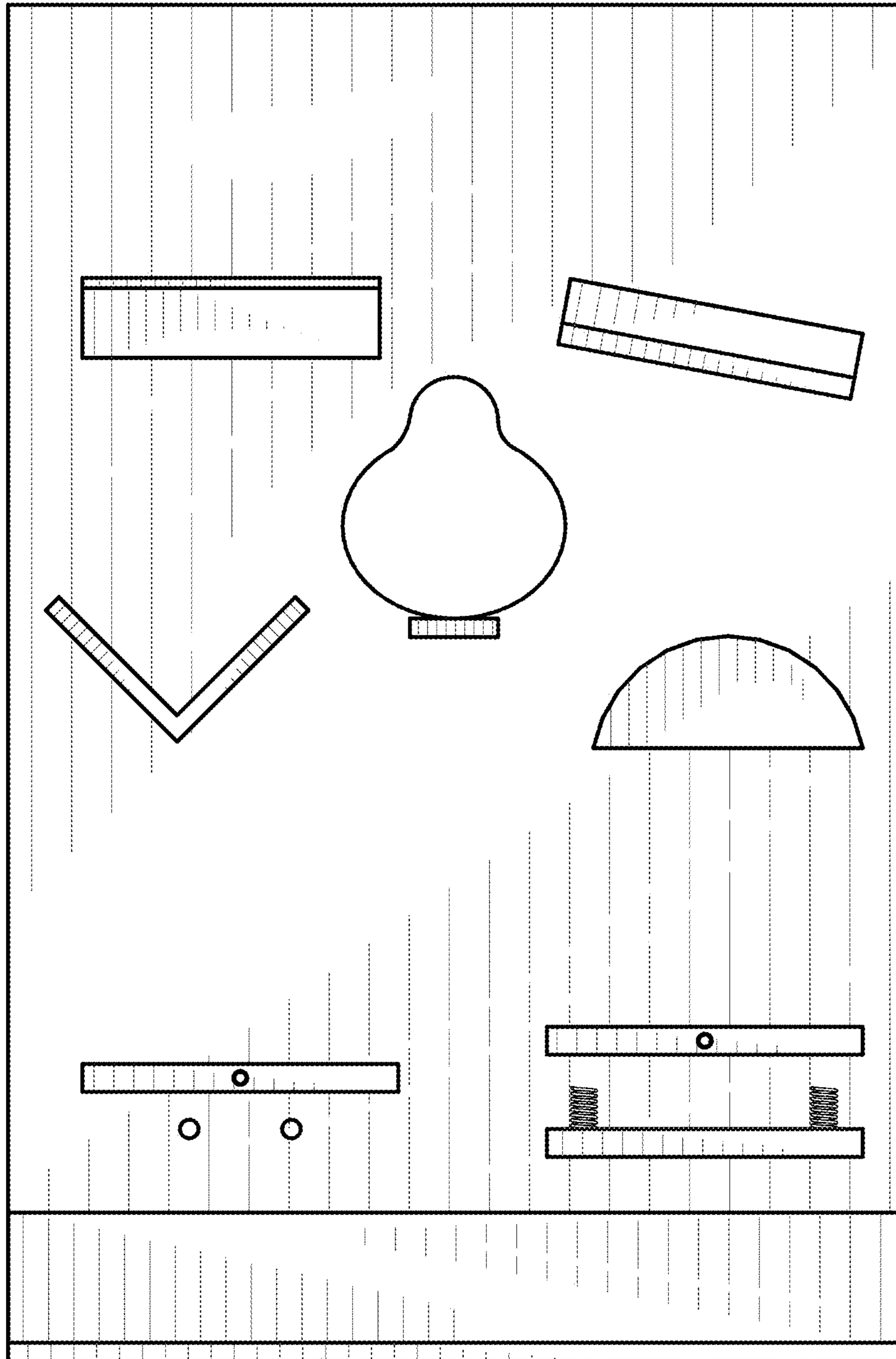


FIG. 4

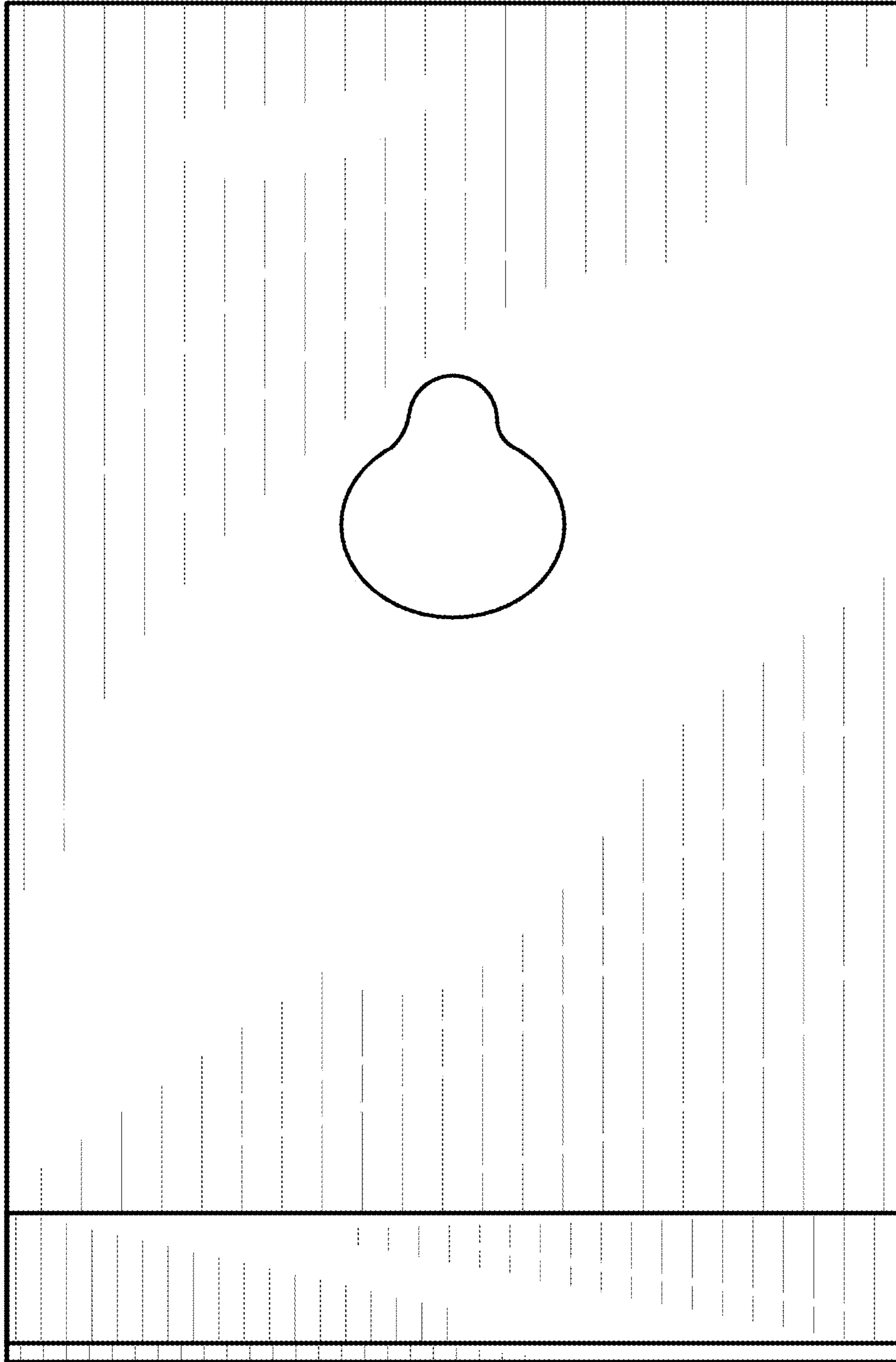


FIG. 5

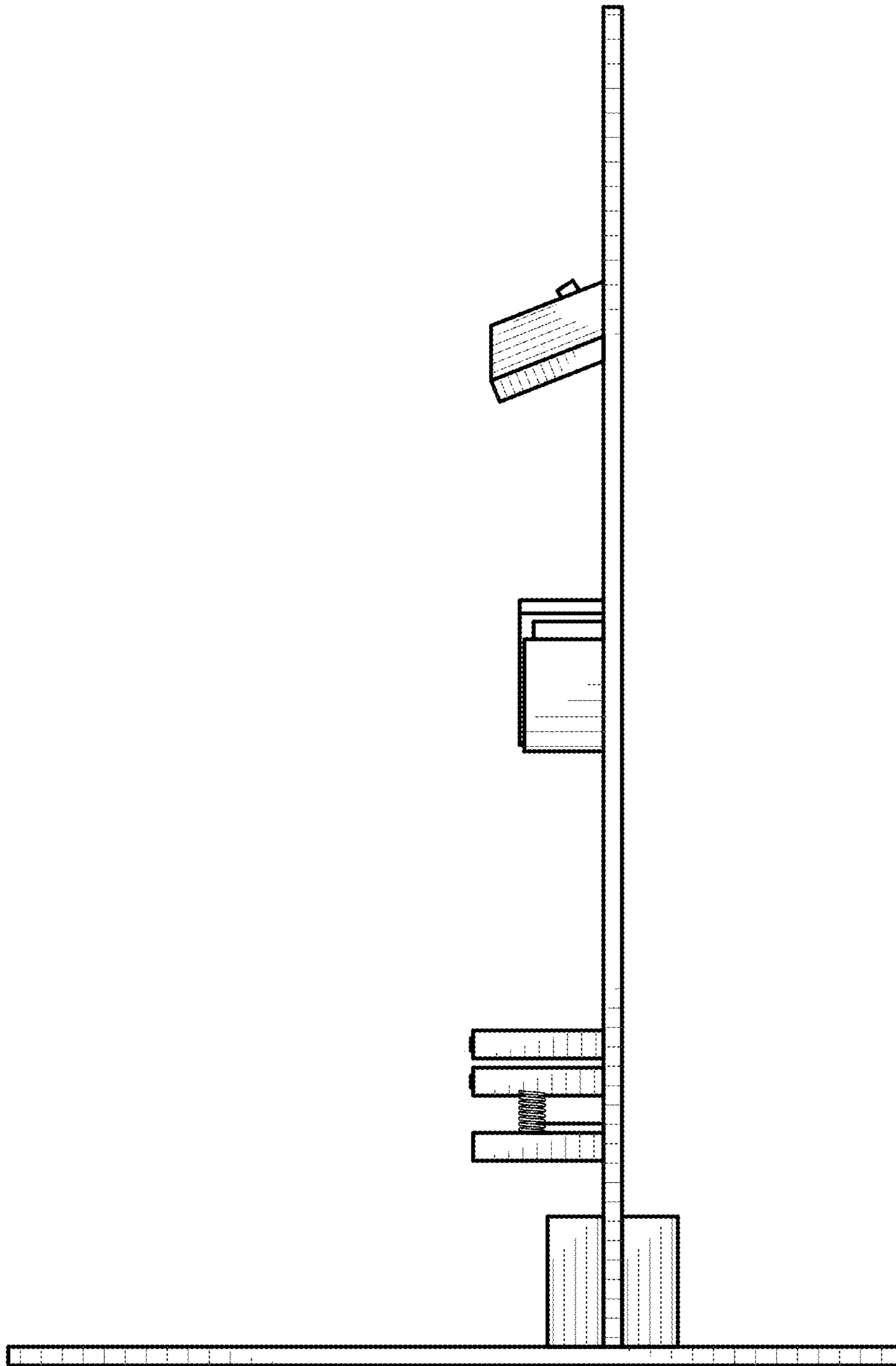


FIG. 6

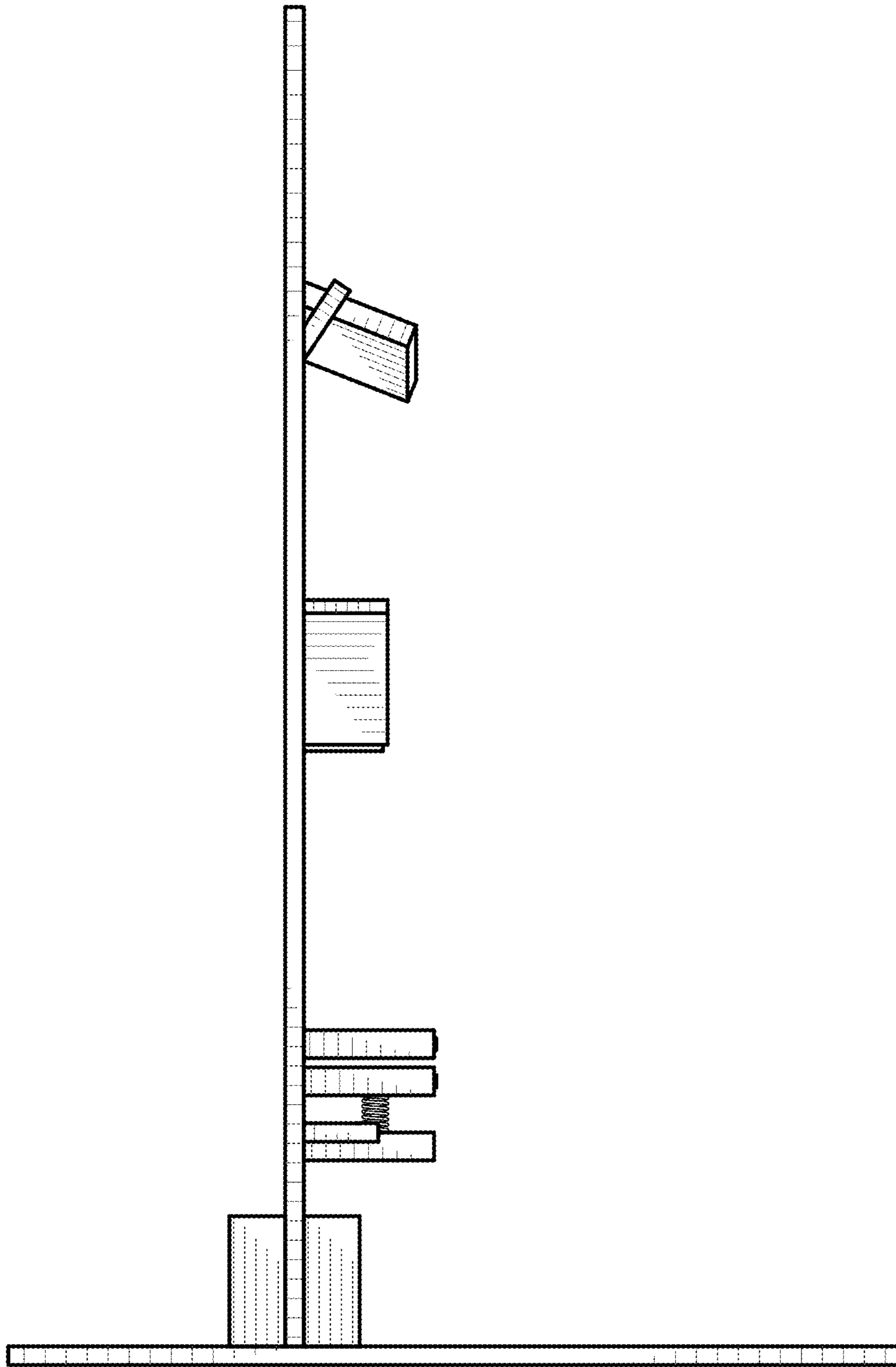


FIG. 7

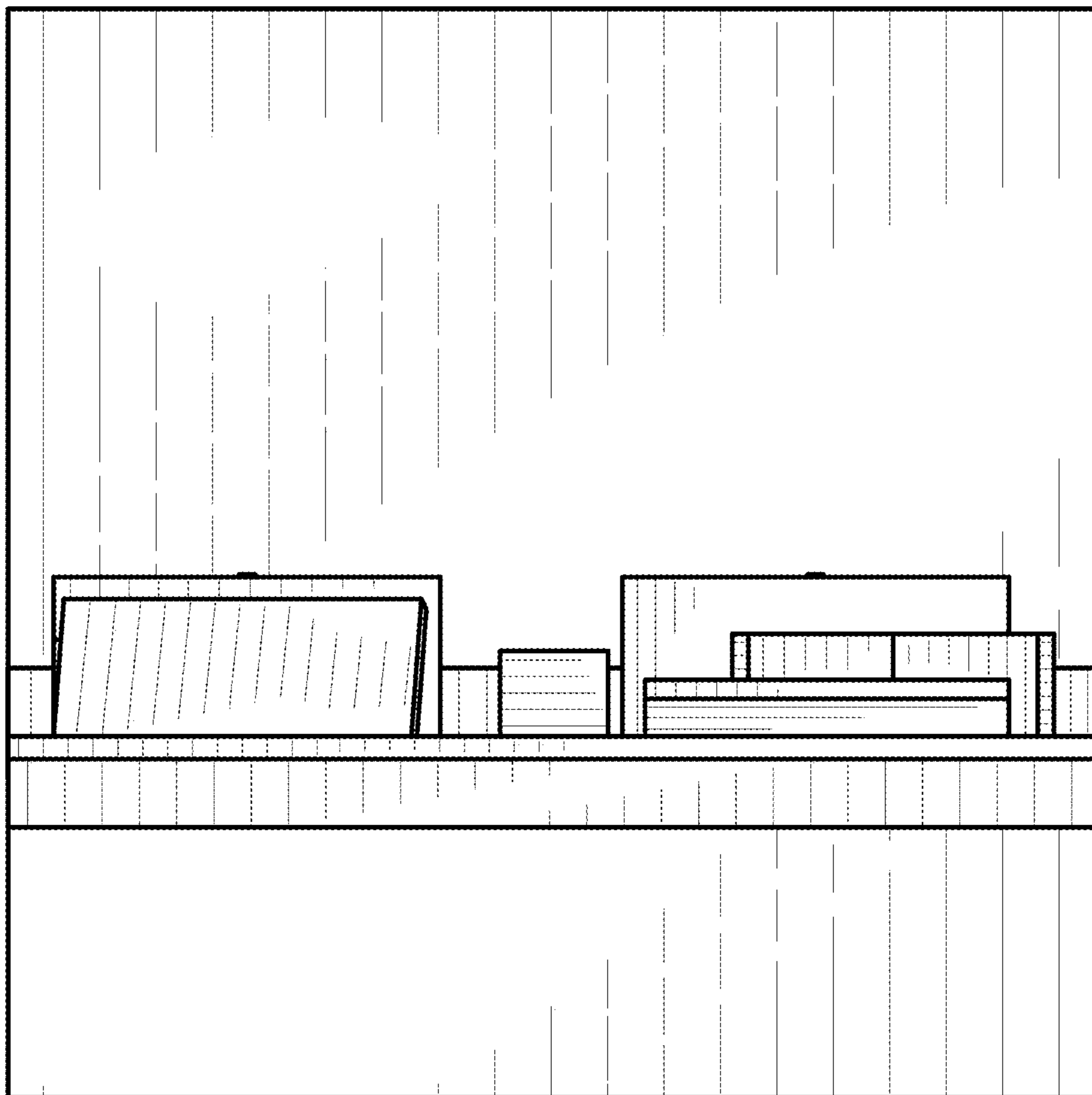


FIG. 8

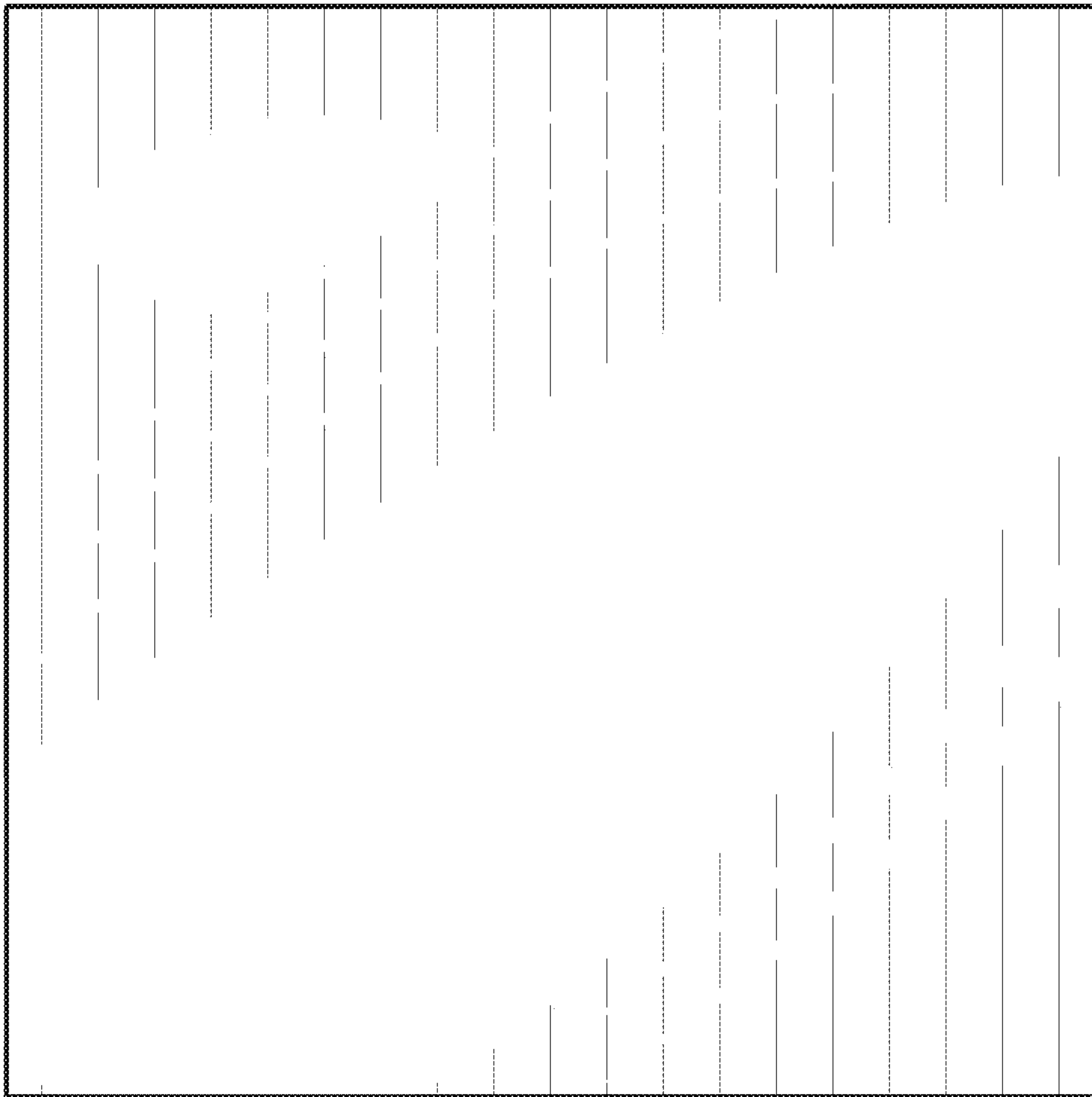


FIG. 9