



US00D955479S

(12) **United States Design Patent** (10) **Patent No.:** **US D955,479 S**  
**Rodkewich et al.** (45) **Date of Patent:** **\*\* Jun. 21, 2022**

(54) **DISPLAY FIXTURE**

(71) Applicant: **TARGET BRANDS, INC.**,  
Minneapolis, MN (US)

(72) Inventors: **David J. Rodkewich**, Saint Paul, MN  
(US); **Dan Smith**, Minneapolis, MN  
(US); **Kelly O'Halloran**, Minneapolis,  
MN (US)

(73) Assignee: **Target Brands, Inc.**, Minneapolis, MN  
(US)

(\*\*) Term: **15 Years**

(21) Appl. No.: **29/771,000**

(22) Filed: **Feb. 18, 2021**

**Related U.S. Application Data**

(60) Continuation of application No. 29/766,493, filed on  
Jan. 15, 2021, now Pat. No. Des. 942,545, which is a  
division of application No. 29/688,022, filed on Apr.  
17, 2019, now abandoned.

(51) **LOC (13) Cl.** ..... **20-02**

(52) **U.S. Cl.**  
USPC ..... **D20/29**; D11/162

(58) **Field of Classification Search**  
USPC ..... D11/131, 132, 133, 137, 139, 157, 158,  
D11/160, 161, 162, 164; D20/10, 11, 29,  
D20/30, 31, 32, 33, 34, 41, 42, 99  
CPC ..... G09F 1/00; G09F 1/08; G09F 5/00; G09F  
5/02; G09F 7/00; G09F 19/00; G09F  
23/00; G09F 27/00; G09F 9/46; G09F  
15/00; G09F 7/08; G09F 19/12; G09F  
13/00; G09F 13/24; Y10S 362/812; A47F  
3/00; A47F 8/00; A47F 11/00  
See application file for complete search history.

(56) **References Cited**

U.S. PATENT DOCUMENTS

688,422 A	12/1901	Leibert et al.	
D121,584 S	7/1940	Case	
D140,113 S	* 1/1945	Biasell .....	D12/335
D185,733 S	* 7/1959	Cagan .....	D21/430
D251,865 S	5/1979	Butler	
D255,341 S	6/1980	Dornier	
D255,342 S	6/1980	Dornier	

(Continued)

OTHER PUBLICATIONS

“Litfad Industrial Vintage Pendant Light 8 Light Airplane”, printed  
from [www.amazon.com/LITFAD-Industrial-Vintage-Airplane-Child...pf\\_rd\\_r=G9EGVB43EQFJ68K1ZE76&psc=1&refRID=G9EGVB43EQFJ68K1ZE76](http://www.amazon.com/LITFAD-Industrial-Vintage-Airplane-Child...pf_rd_r=G9EGVB43EQFJ68K1ZE76&psc=1&refRID=G9EGVB43EQFJ68K1ZE76), publicly available at least as early as  
Oct. 25, 2018 (7 pages).

(Continued)

*Primary Examiner* — Catherine Ho

(74) *Attorney, Agent, or Firm* — JoAnn M. Seaton;  
Griffiths & Seaton PLLC

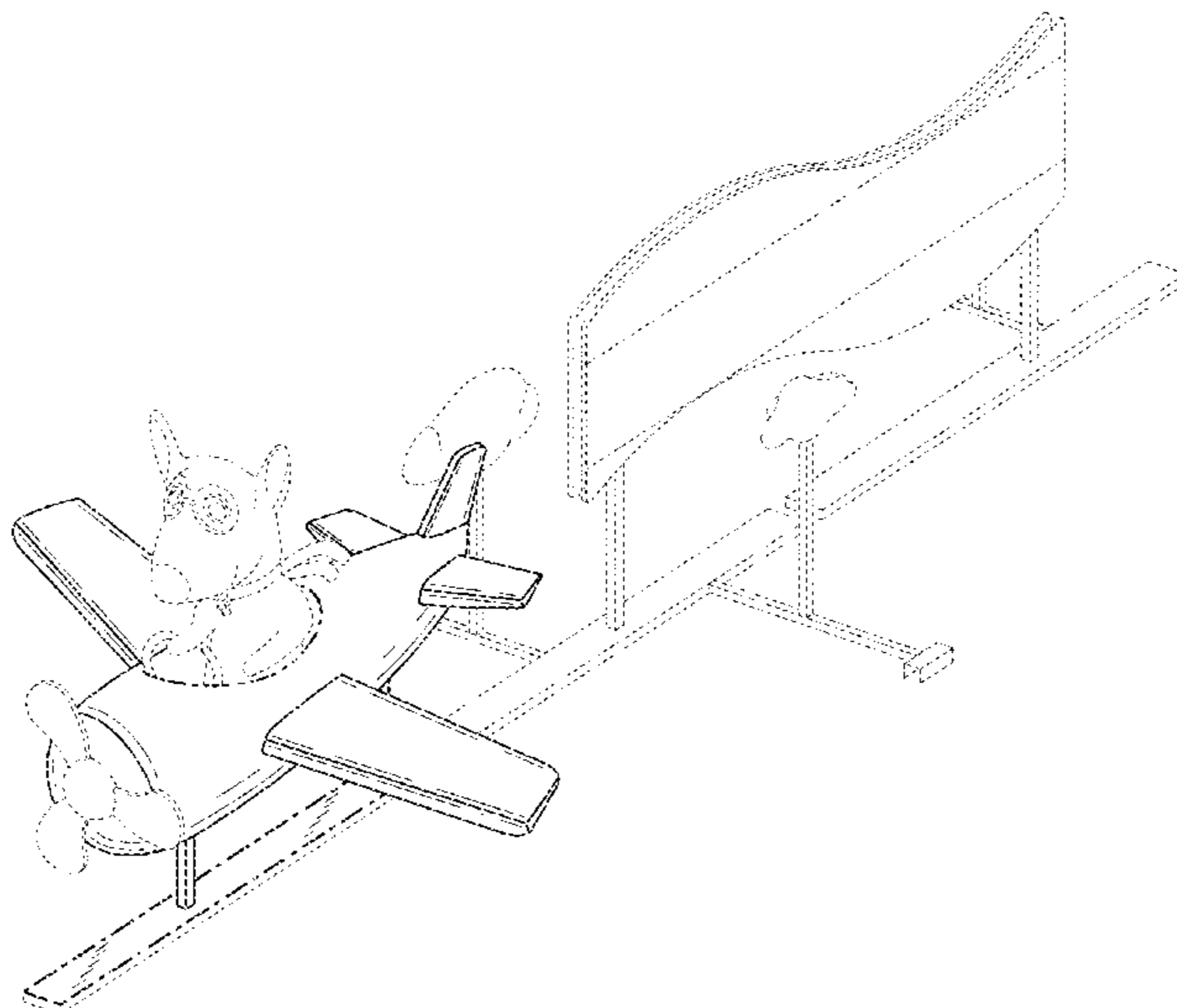
(57) **CLAIM**

The ornamental design for a display fixture, as shown and  
described.

**DESCRIPTION**

FIG. 1 is a top and front perspective view of a display fixture  
showing our new design;  
FIG. 2 is a front view thereof;  
FIG. 3 is a rear view thereof;  
FIG. 4 is a right side view thereof;  
FIG. 5 is a left side view thereof;  
FIG. 6 is a top view thereof; and,  
FIG. 7 is a bottom view thereof.  
In the drawings, the broken lines depict unclaimed subject  
matter only and form no part of the claimed design. The  
features shown in long dash-short dash bolded broken lines  
indicate the bounds of the claimed design and otherwise  
form no part of the claimed design.

**1 Claim, 6 Drawing Sheets**



(56)

References Cited

U.S. PATENT DOCUMENTS

D255,911 S 7/1980 Theodore  
 D258,302 S \* 2/1981 Murasaki ..... D21/430  
 D264,837 S 6/1982 Dornier  
 D265,574 S \* 7/1982 Nagode ..... D21/450  
 D265,841 S \* 8/1982 Tung ..... D21/450  
 D267,501 S \* 1/1983 Tabata ..... D21/450  
 D274,510 S 7/1984 McComas et al.  
 D304,846 S 11/1989 Hahn  
 D320,421 S 10/1991 Harris  
 D336,664 S \* 6/1993 Uchida ..... D21/450  
 D348,913 S 7/1994 Rudell  
 D351,822 S 10/1994 Simonov et al.  
 D357,713 S 4/1995 Zilliox  
 D413,970 S \* 9/1999 Chen ..... D21/450  
 D476,692 S 7/2003 Gaines et al.  
 D486,776 S 2/2004 Carr  
 D504,862 S 5/2005 Siedel  
 D530,659 S 10/2006 Guering  
 D622,995 S 9/2010 Beraha  
 D623,235 S 9/2010 Engelby et al.  
 D623,236 S 9/2010 Engelby et al.  
 D630,257 S 1/2011 Engelby et al.  
 D633,570 S 3/2011 Hilyard et al.  
 D741,408 S 10/2015 Engelby et al.  
 9,394,095 B2 7/2016 Hartman et al.  
 D777,838 S 1/2017 Myles  
 D801,856 S 11/2017 Zhou  
 D808,328 S 1/2018 Ivans et al.  
 D821,496 S 6/2018 Holden

D828,872 S 9/2018 McPherson  
 D850,357 S 6/2019 Cummings  
 D873,201 S \* 1/2020 Langford, III ..... D12/319  
 D873,202 S \* 1/2020 Tzarnotzky ..... D12/329  
 D876,988 S 3/2020 Stepura et al.  
 10,618,627 B2 \* 4/2020 Hefner ..... B64C 5/02  
 D890,074 S 7/2020 Parvizian et al.  
 D897,447 S 9/2020 Gillenwater  
 D897,448 S 9/2020 Gillenwater  
 D923,106 S \* 6/2021 Li ..... D21/430  
 D931,180 S 9/2021 Manohar et al.  
 D931,181 S 9/2021 Manohar et al.  
 D942,545 S \* 2/2022 Rodkewich ..... D11/162  
 2004/0245374 A1 12/2004 Morgan  
 2008/0142643 A1 6/2008 Yoeli  
 2012/0199699 A1 8/2012 Isaac et al.  
 2018/0072398 A1 3/2018 Sartorius et al.

OTHER PUBLICATIONS

“Hamleys Rota-Plane”, printed from [www.hamleys.com/hamleys-rotaplane-843821.ir](http://www.hamleys.com/hamleys-rotaplane-843821.ir), publicly available at least as early as Oct. 26, 2018 (2 pages).  
 “Green Toys Airplane”, printed from [www.amazon.com/Green-Toys-Airplane-Phthalates-Aeronautical/dp/B008LQXR82](http://www.amazon.com/Green-Toys-Airplane-Phthalates-Aeronautical/dp/B008LQXR82), publicly available at least as early as Jan. 10, 2015 (10 pages).  
 Video: Step Inside One of Our Remodeled Stores, posted at Corporate.target.com, posted on Mar. 23, 2019, site visited Sep. 11, 2020. online, available from internet: <https://corporate.target.com/article/2019/03/store-remodel-video> (Year: 2019) (1 page).

\* cited by examiner

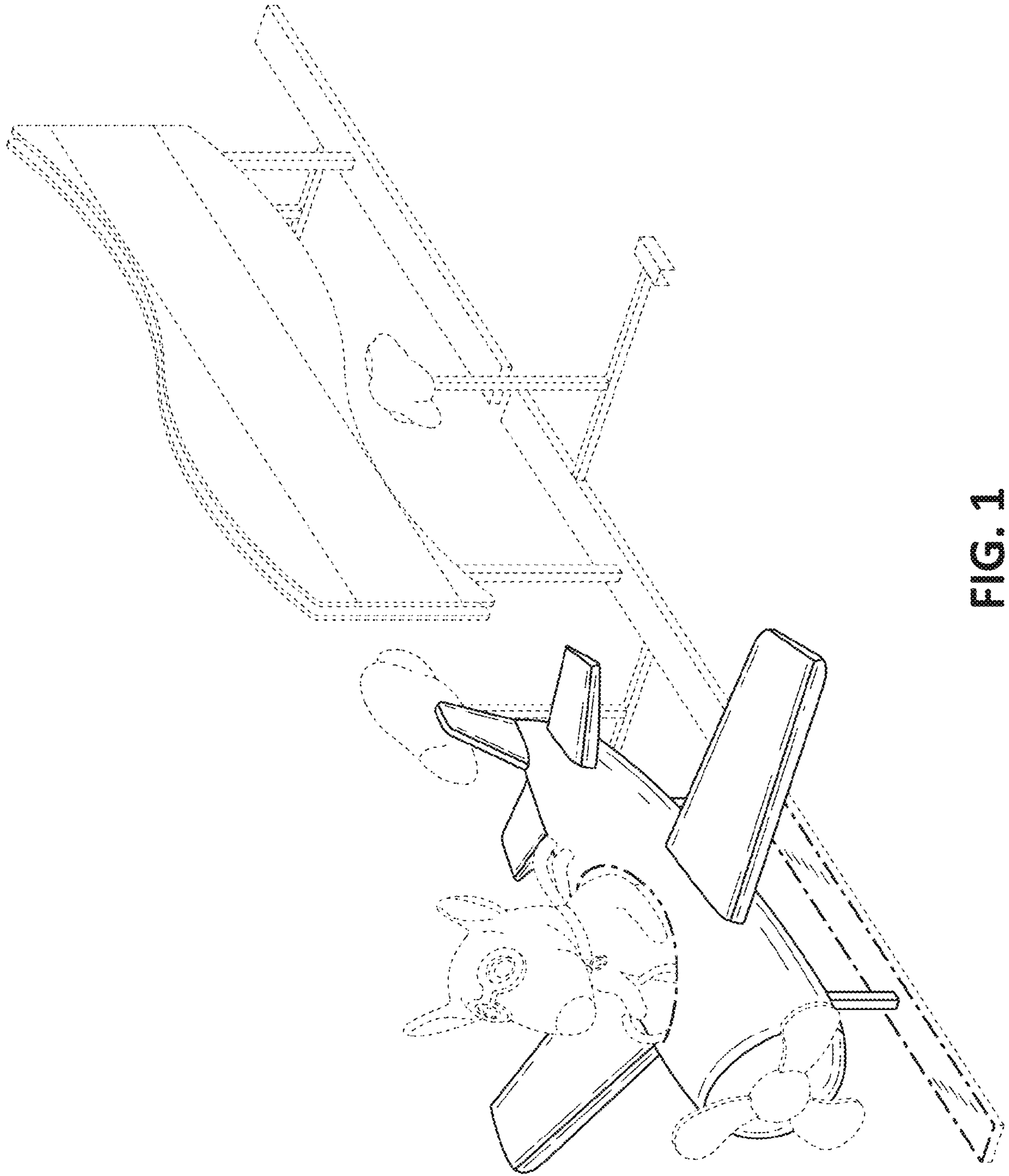


FIG. 1

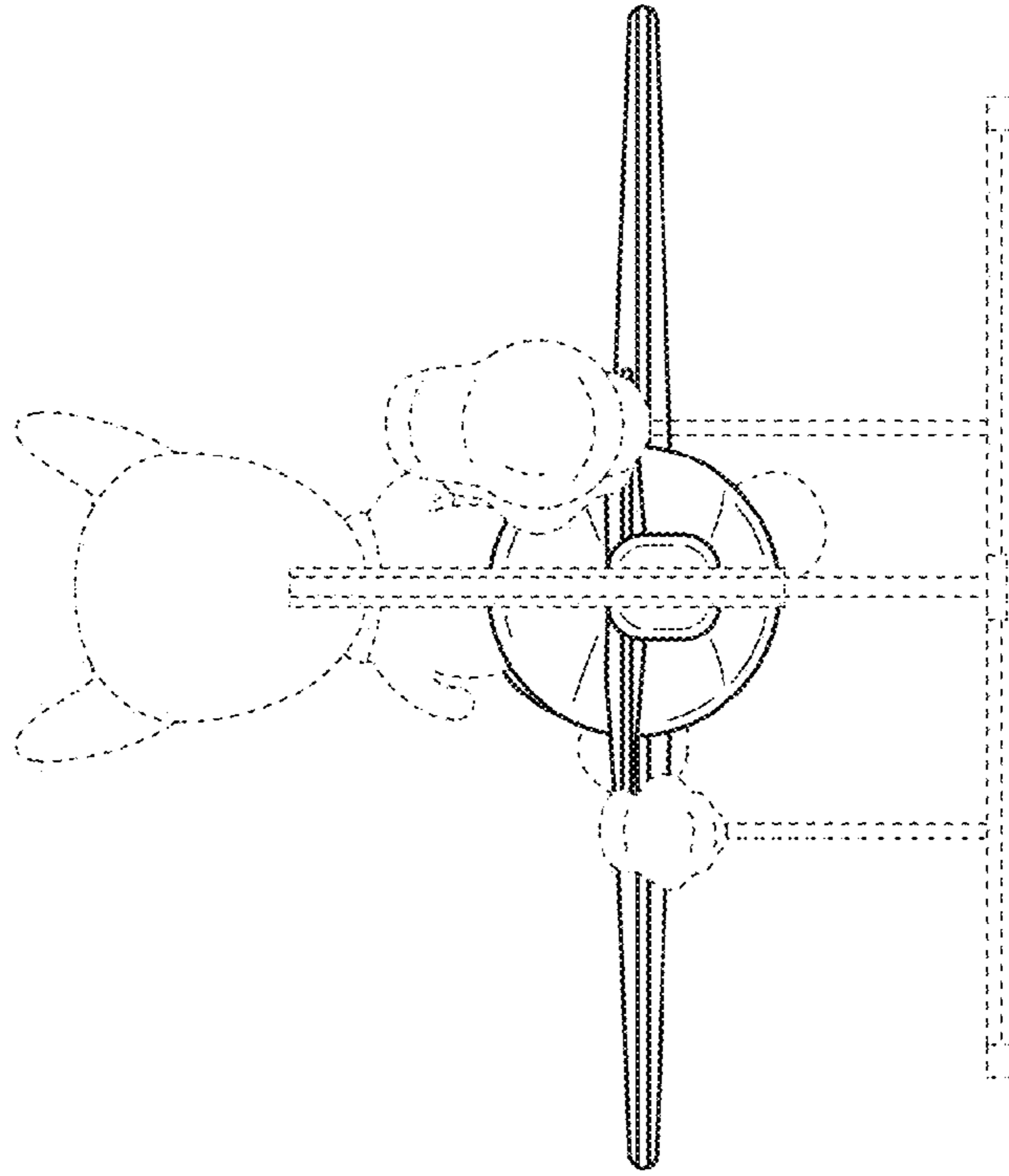


FIG. 2

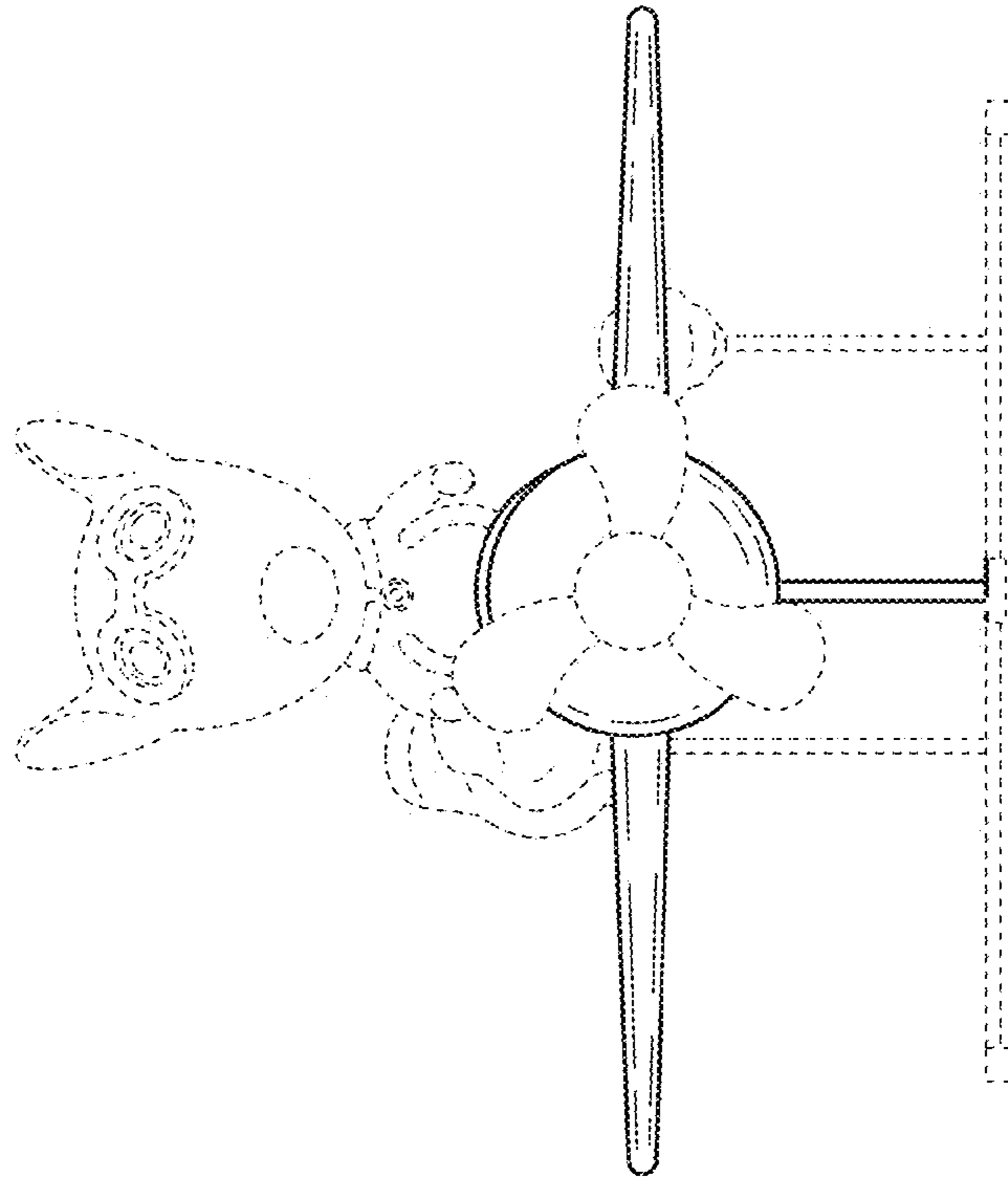


FIG. 3

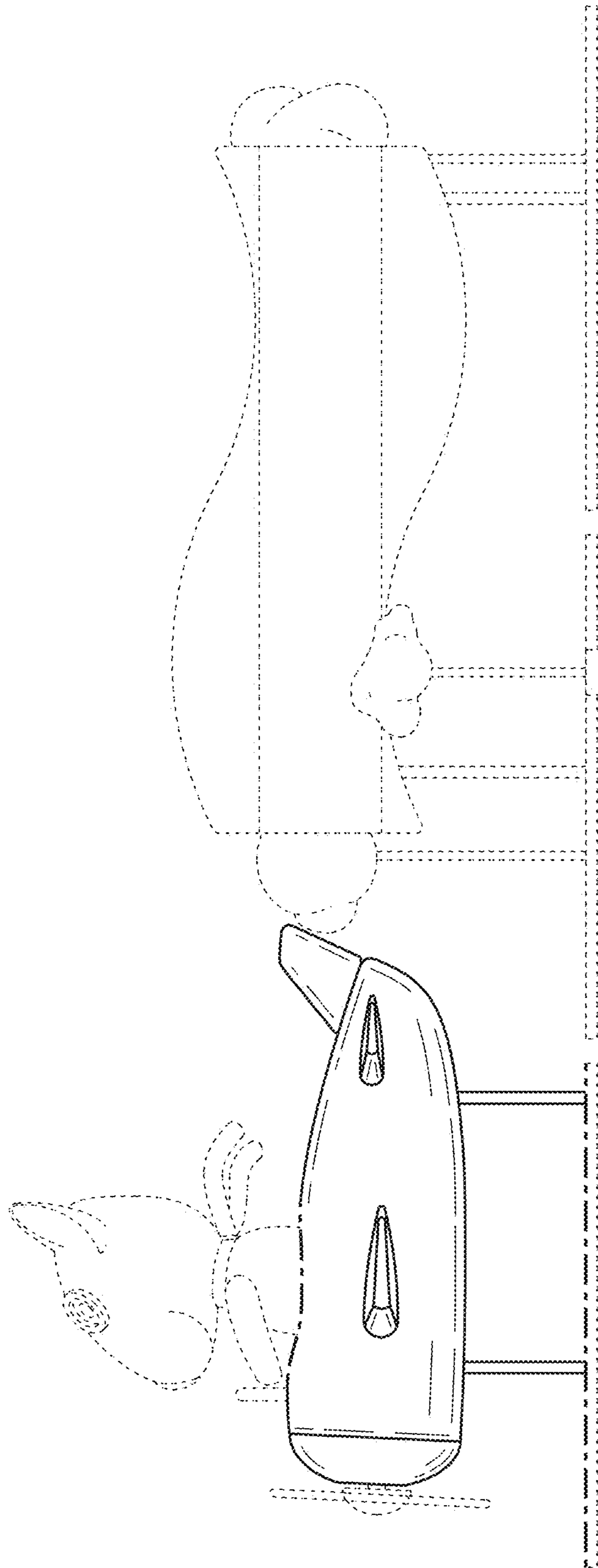


FIG. 4

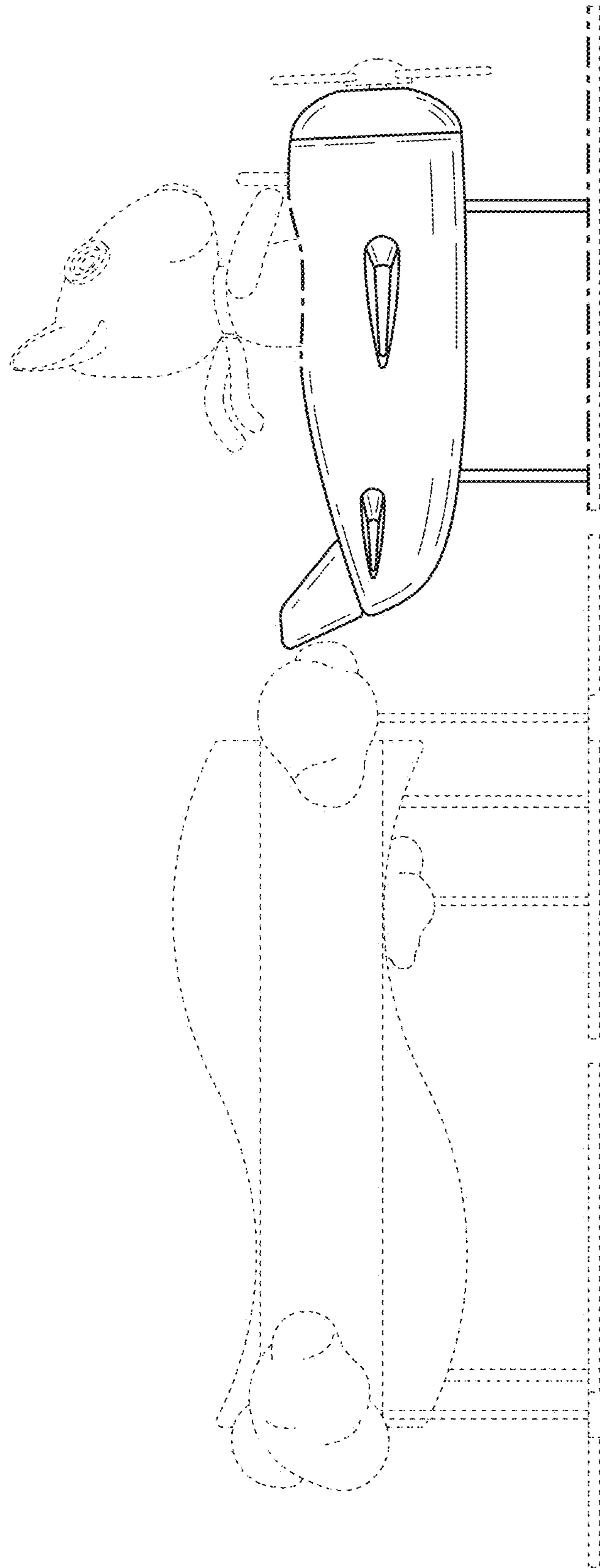


FIG. 5

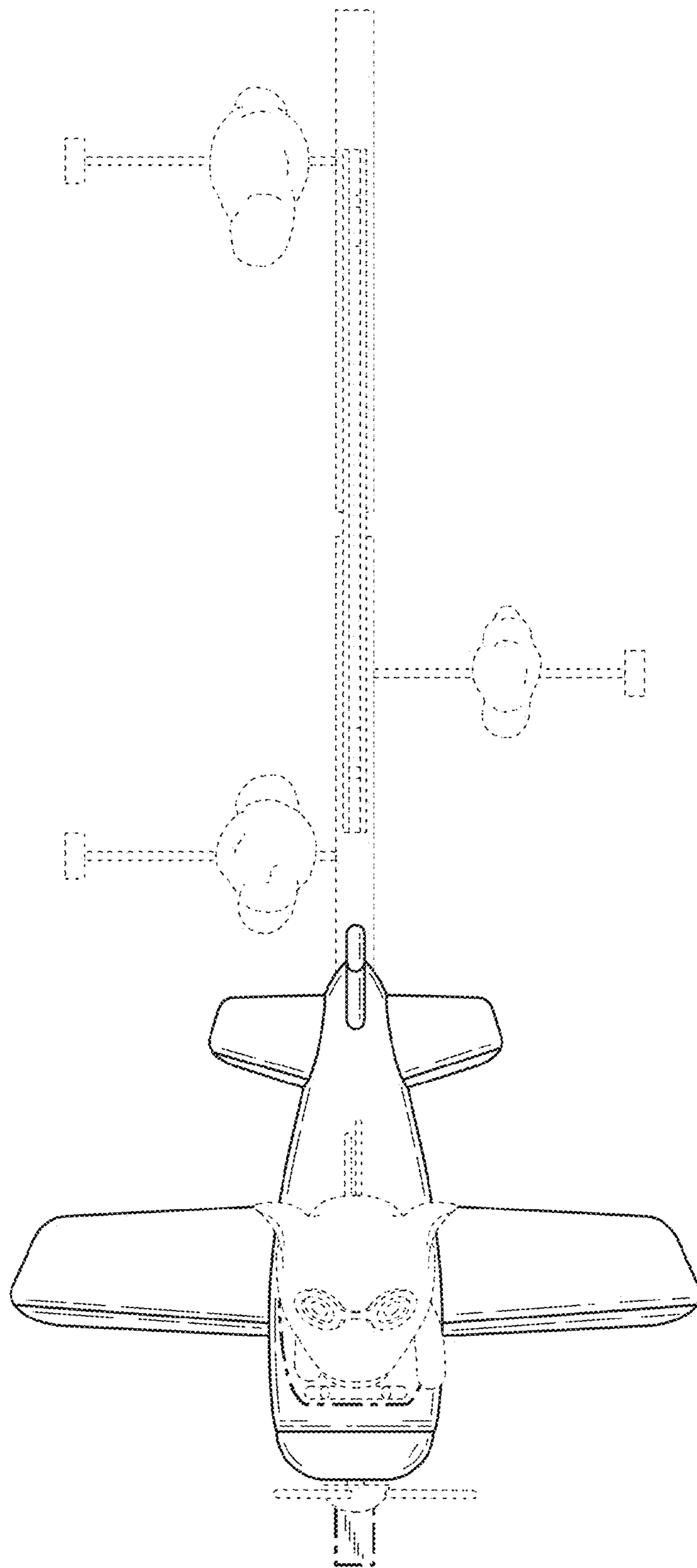


FIG. 6

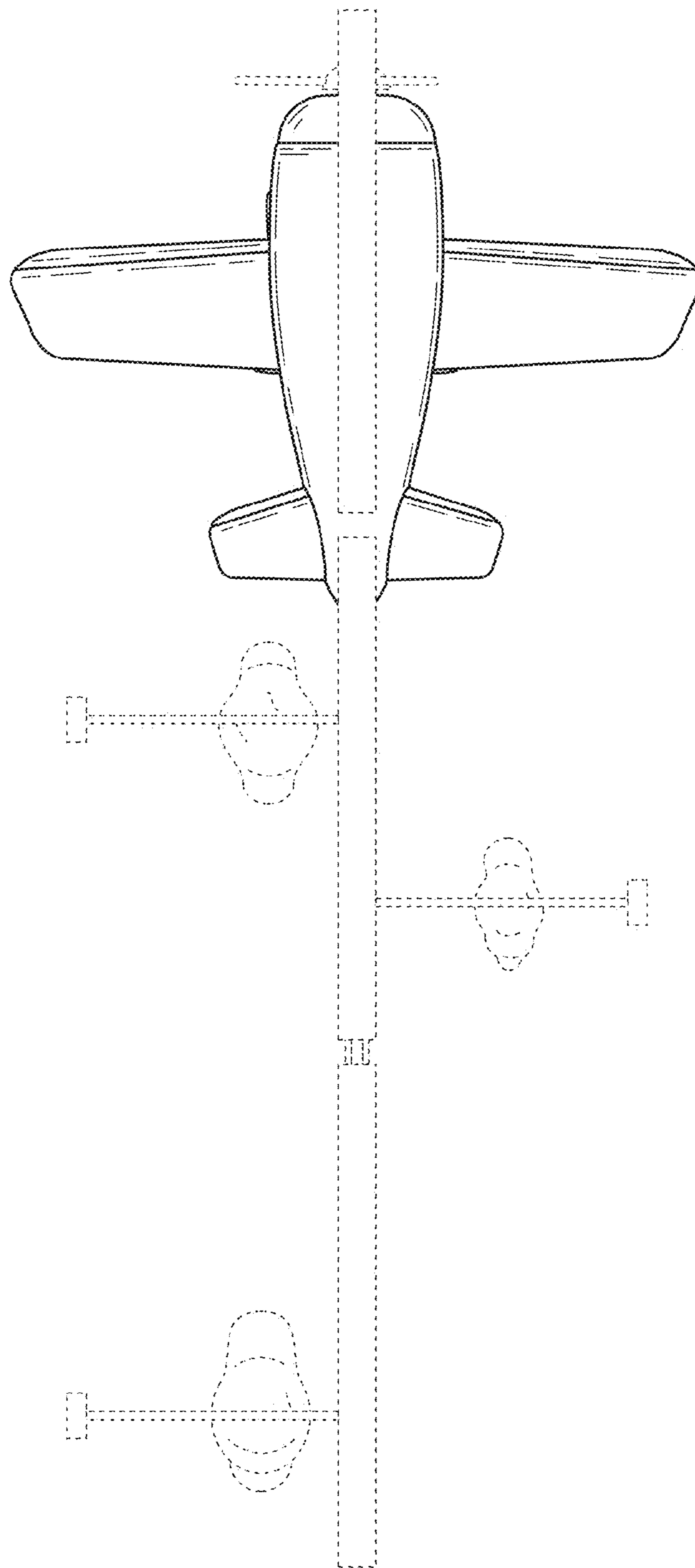


FIG. 7