



US00D955472S

(12) **United States Design Patent** (10) **Patent No.:** **US D955,472 S**
Johnson, Jr. et al. (45) **Date of Patent:** **** Jun. 21, 2022**

(54) **TONER CARTRIDGE**
(71) Applicant: **LEXMARK INTERNATIONAL, INC.**, Lexington, KY (US)

D674,005 S * 1/2013 Teramura D18/43
D692,944 S * 11/2013 Noh D18/43
D695,820 S * 12/2013 Carter, II D18/43
D705,349 S * 5/2014 Choi D18/43

(Continued)

(72) Inventors: **Virgil Johnson, Jr.**, Versailles, KY (US); **Randal Scott Williamson**, Georgetown, KY (US)

FOREIGN PATENT DOCUMENTS

IL 58654 * 6/2018

(73) Assignee: **Lexmark International, Inc.**, Lexington, KY (US)

OTHER PUBLICATIONS

(**) Term: **15 Years**

Lexmark 521H High Yield Remanufactured Toner Cartridge, p. 7, 2013, Amazon.com_29728195-https://www.amazon.com/Print-Save-Repeat-Lexmark-Yield-Remanufactured-Cartridge/dp/B00FY0S2NS (Year: 2013).*

(21) Appl. No.: **29/728,195**

(22) Filed: **Mar. 17, 2020**

Primary Examiner — Jennifer L Rempfer

(51) **LOC (13) Cl.** **18-02**

Assistant Examiner — Danielle Nichole Bowly

(52) **U.S. Cl.**
USPC **D18/53**

(74) *Attorney, Agent, or Firm* — Justin M. Tromp

(58) **Field of Classification Search**
USPC D14/300, 301, 302, 303, 307, 308, 314, D14/321, 365, 445, 446; D18/4.1, 4.4, D18/4.6, 34.1, 6, 7, 14, 19, 34.3, 34.7, D18/34.8, 34.9, 36, 37, 38, 39, 46, 47, D18/48, 49, 50, 53, 54, 55, 56

(57) **CLAIM**

The ornamental design for a toner cartridge, as shown and described.

CPC H04N 1/00278; B26D 1/045; B26D 1/065; B41J 15/044; B41J 2/1752; B41J 29/02; G06F 3/02

DESCRIPTION

See application file for complete search history.

FIG. 1 is a front, first side, top perspective view of a toner cartridge;
FIG. 2 is a rear, second side, top perspective view thereof;
FIG. 3 is a front, second side, bottom perspective view thereof;
FIG. 4 is a rear, first side, bottom perspective view thereof;
FIG. 5 is an elevation view of the front thereof;
FIG. 6 is an elevation view of the first side thereof;
FIG. 7 is an elevation view of the rear thereof;
FIG. 8 is an elevation view of the second side thereof;
FIG. 9 is a top plan view thereof; and,
FIG. 10 is a bottom plan view thereof.

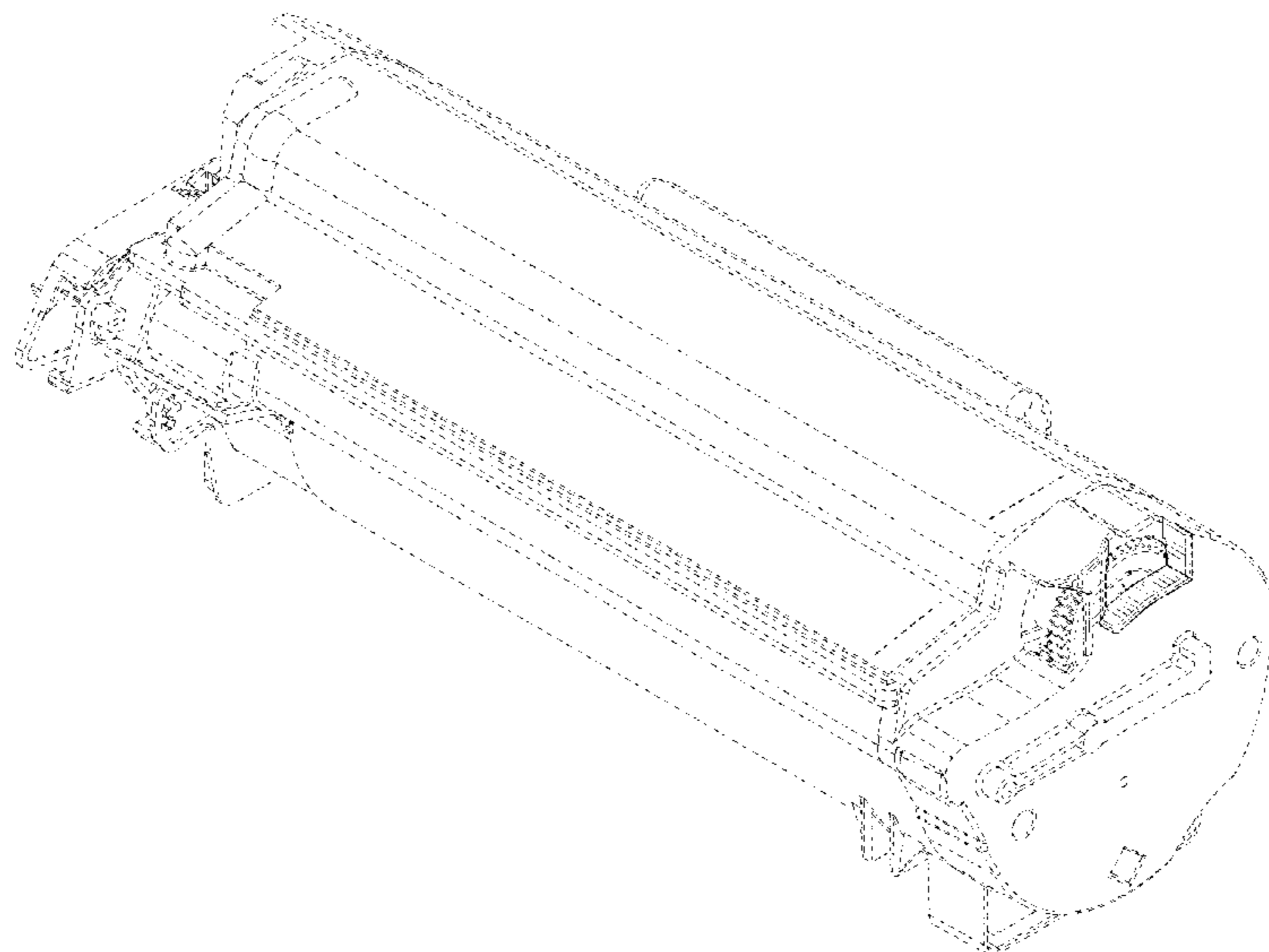
The features shown in broken lines depict portions of the article and form no part of the claimed design.

(56) **References Cited**

U.S. PATENT DOCUMENTS

D422,626 S * 4/2000 Kurosawa D18/43
D459,388 S * 6/2002 Irie D18/43
D524,849 S * 7/2006 Komai D18/43
D546,382 S * 7/2007 Noh D18/43
D573,631 S * 7/2008 Oda D18/43
D577,380 S * 9/2008 Saito D18/43
D600,744 S * 9/2009 Kim D18/43
D630,243 S * 1/2011 Takiguchi D18/43
D645,077 S * 9/2011 Murata D18/43

1 Claim, 9 Drawing Sheets



(56)

References Cited

U.S. PATENT DOCUMENTS

D707,752 S	*	6/2014	Wakimoto	D18/43
D765,164 S	*	8/2016	Park	D18/43
D796,575 S	*	9/2017	Murata	D18/43
D807,429 S	*	1/2018	Ando	D18/56
D836,161 S	*	12/2018	Eto	D18/43
D841,730 S	*	2/2019	Anderson, Jr.	D18/43
D928,871 S	*	8/2021	Kobayashi	D18/43

* cited by examiner

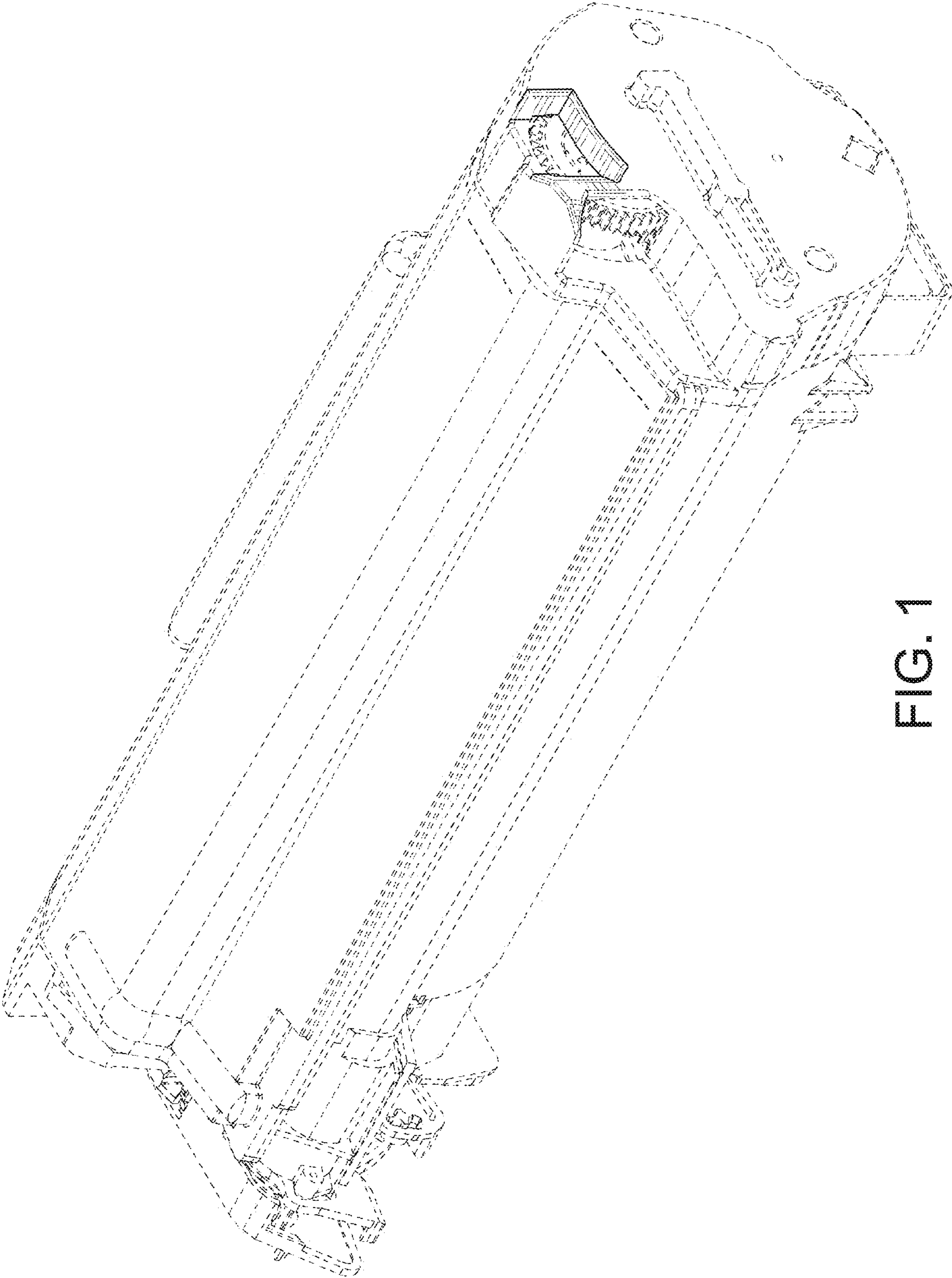


FIG. 1

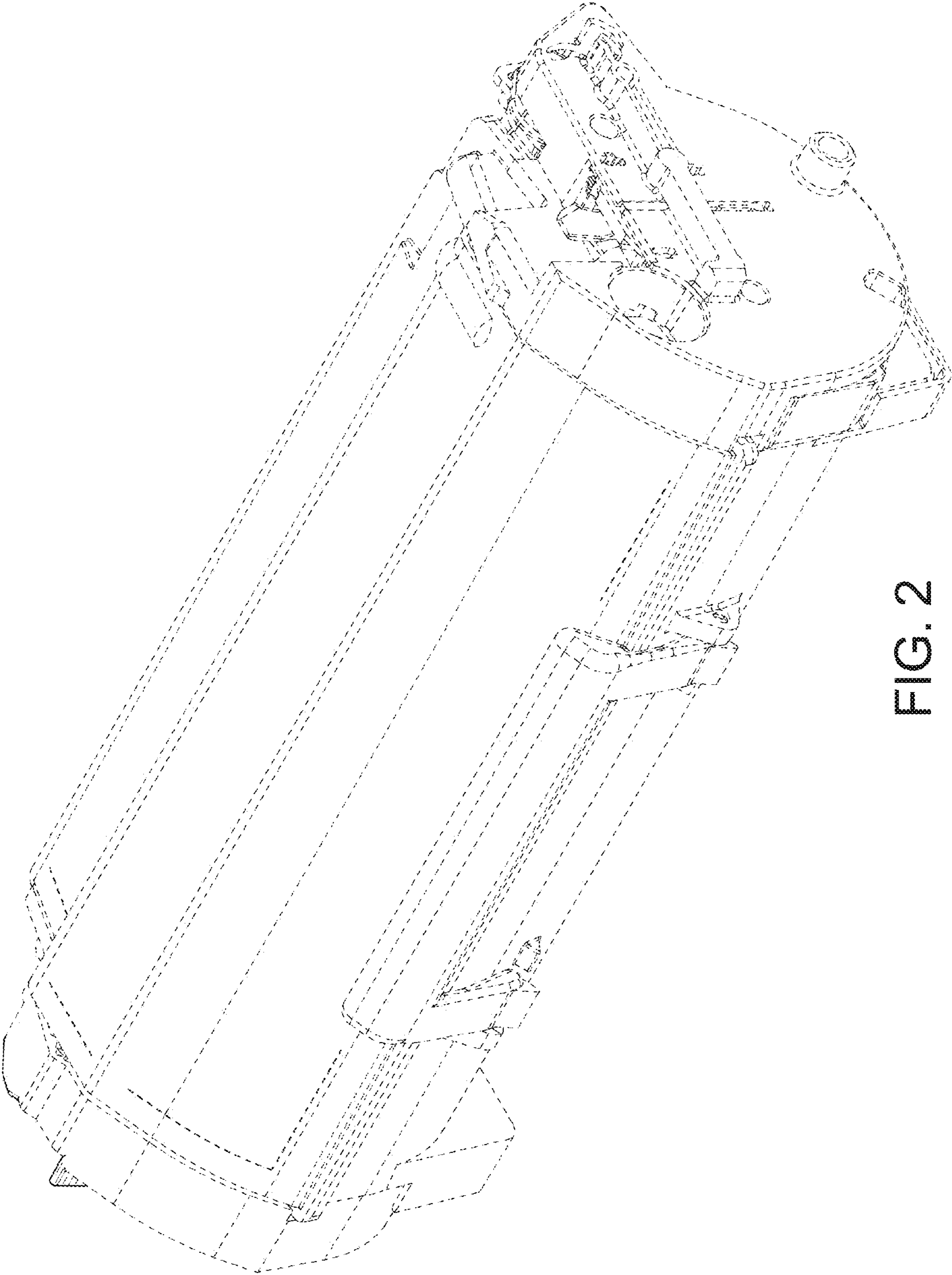


FIG. 2

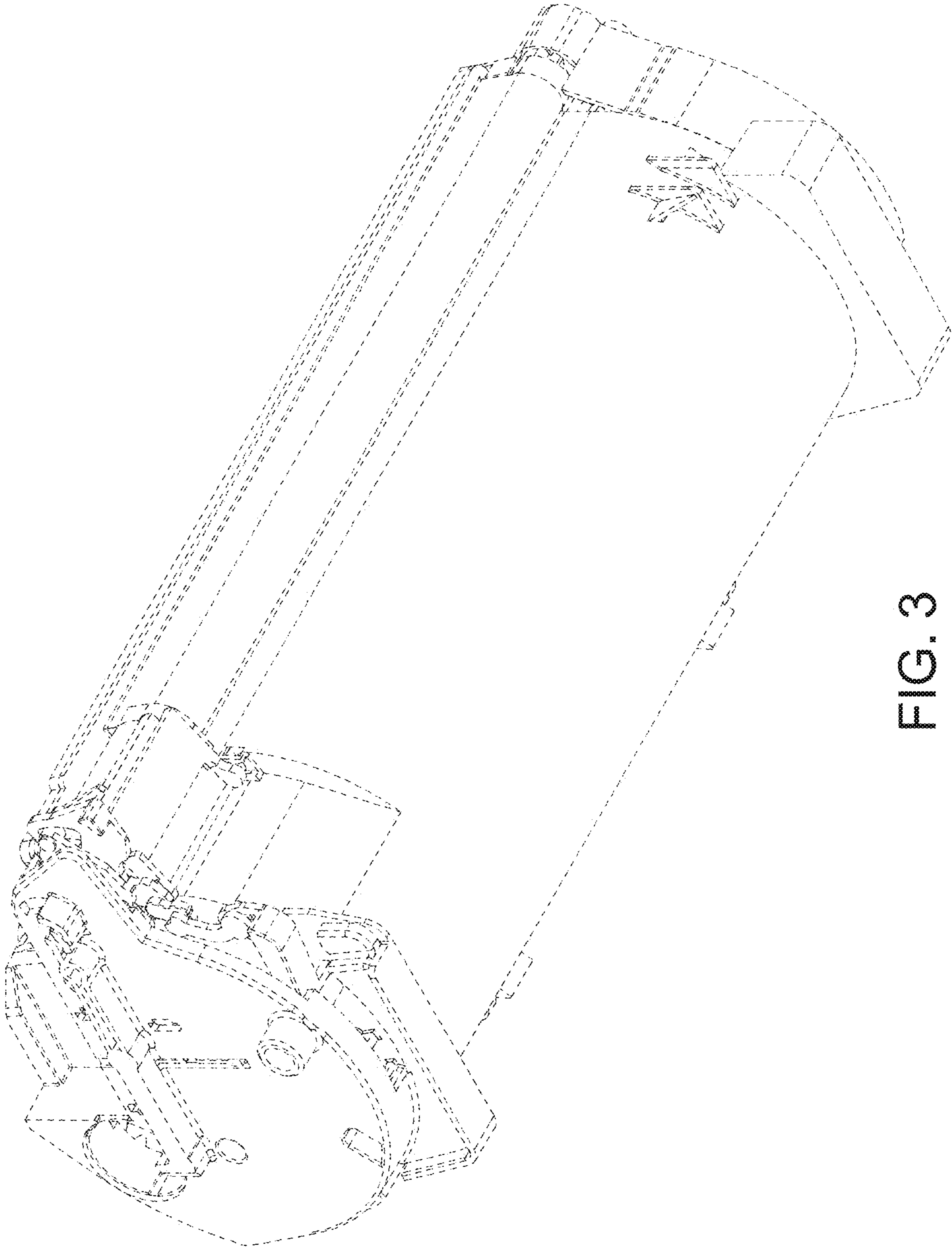


FIG. 3

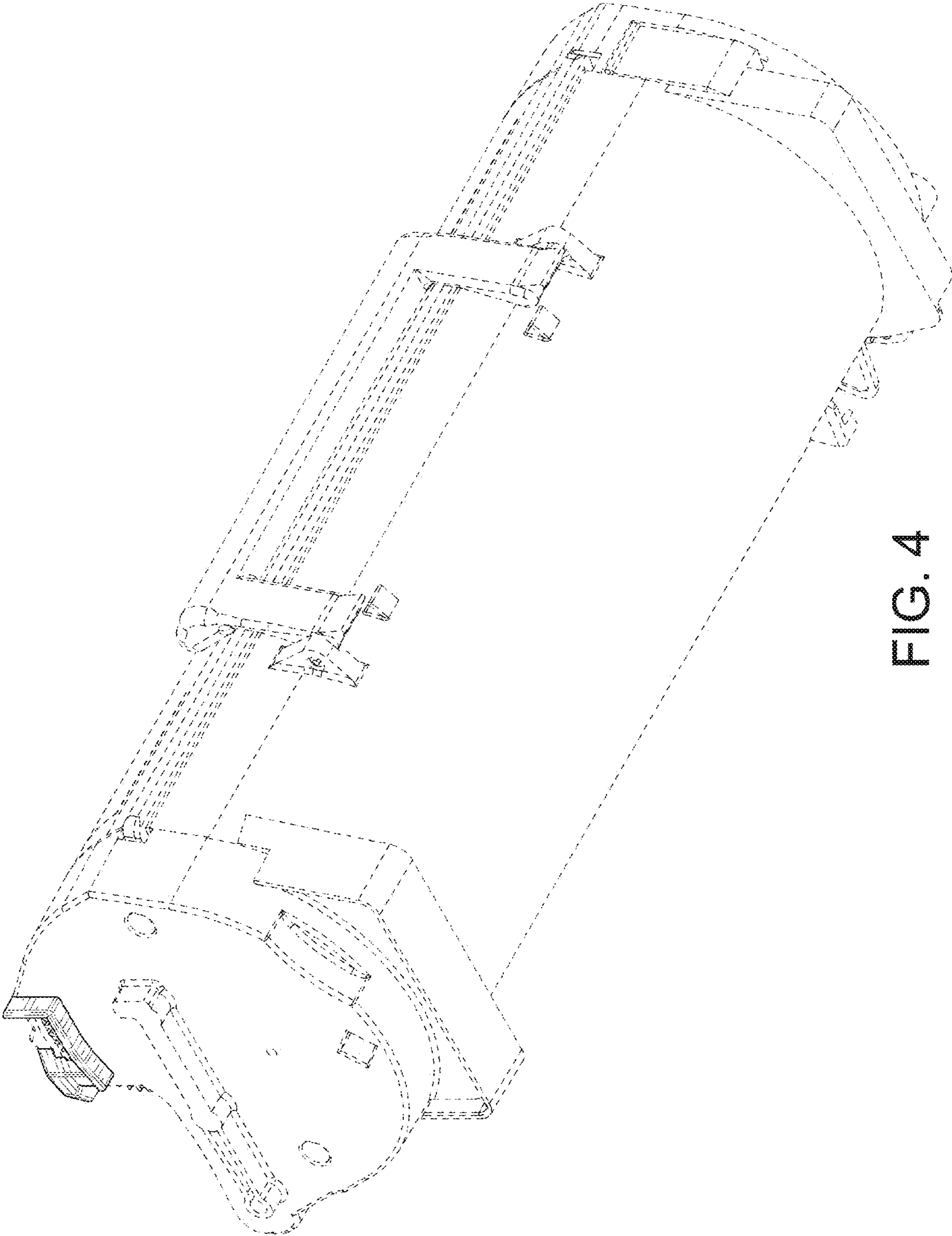


FIG. 4

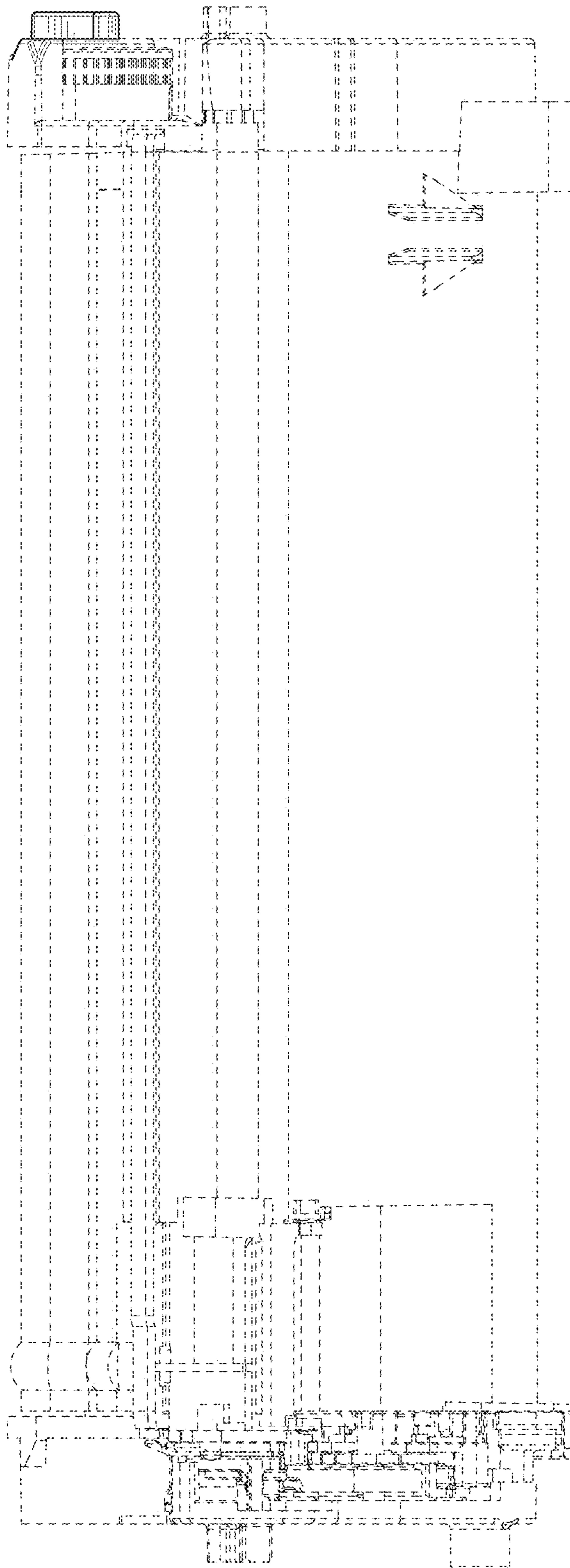


FIG. 5

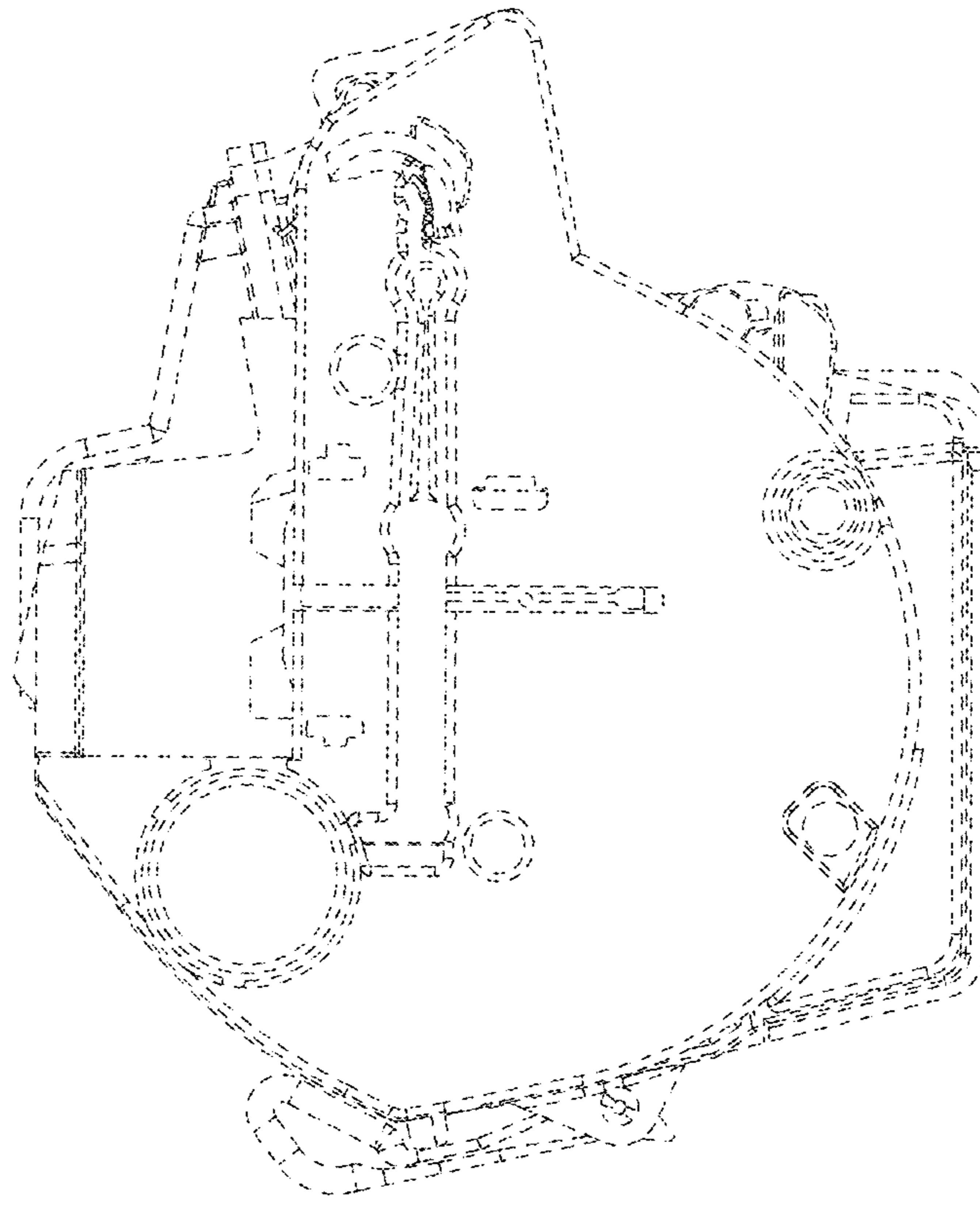


FIG. 6

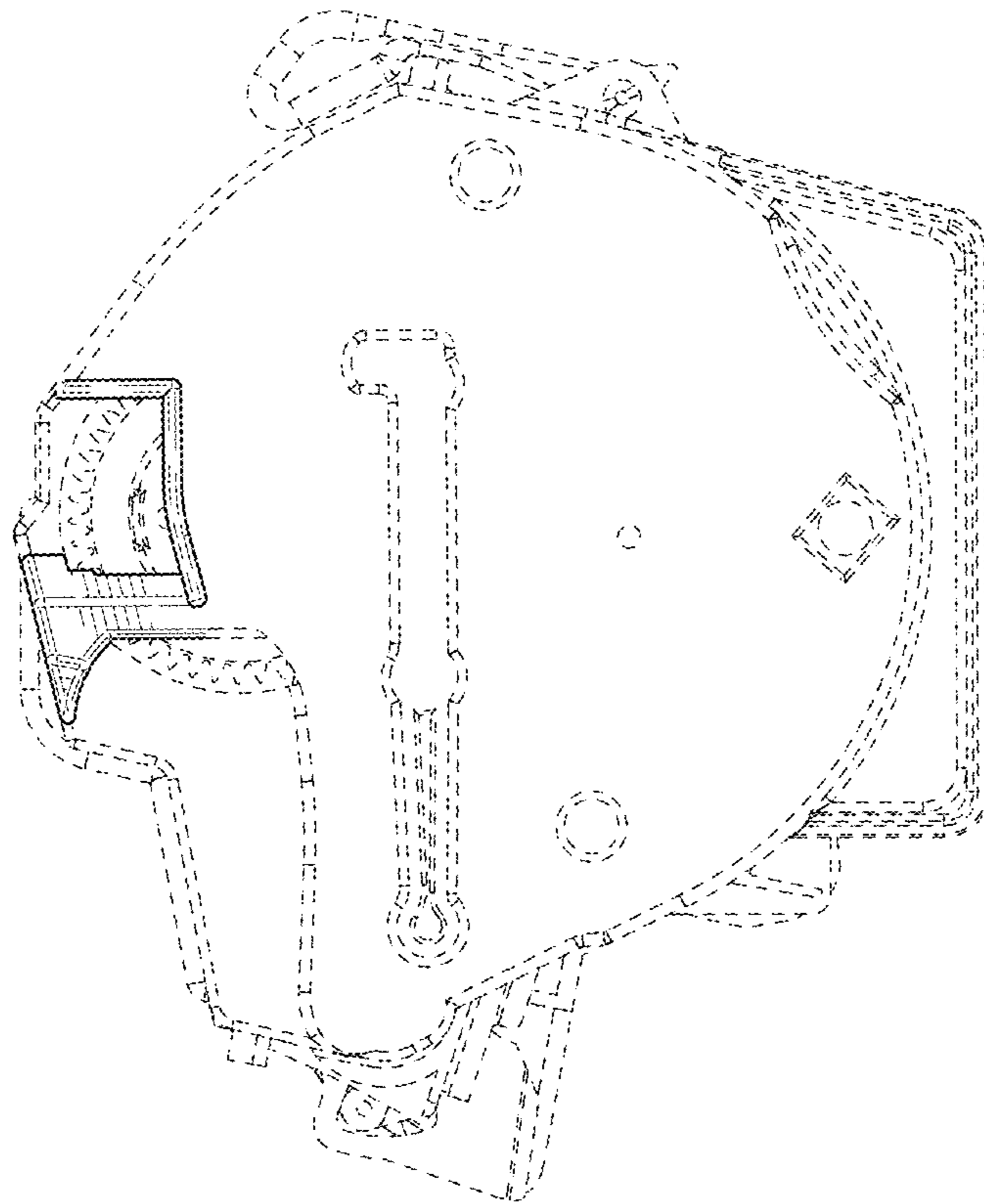


FIG. 8

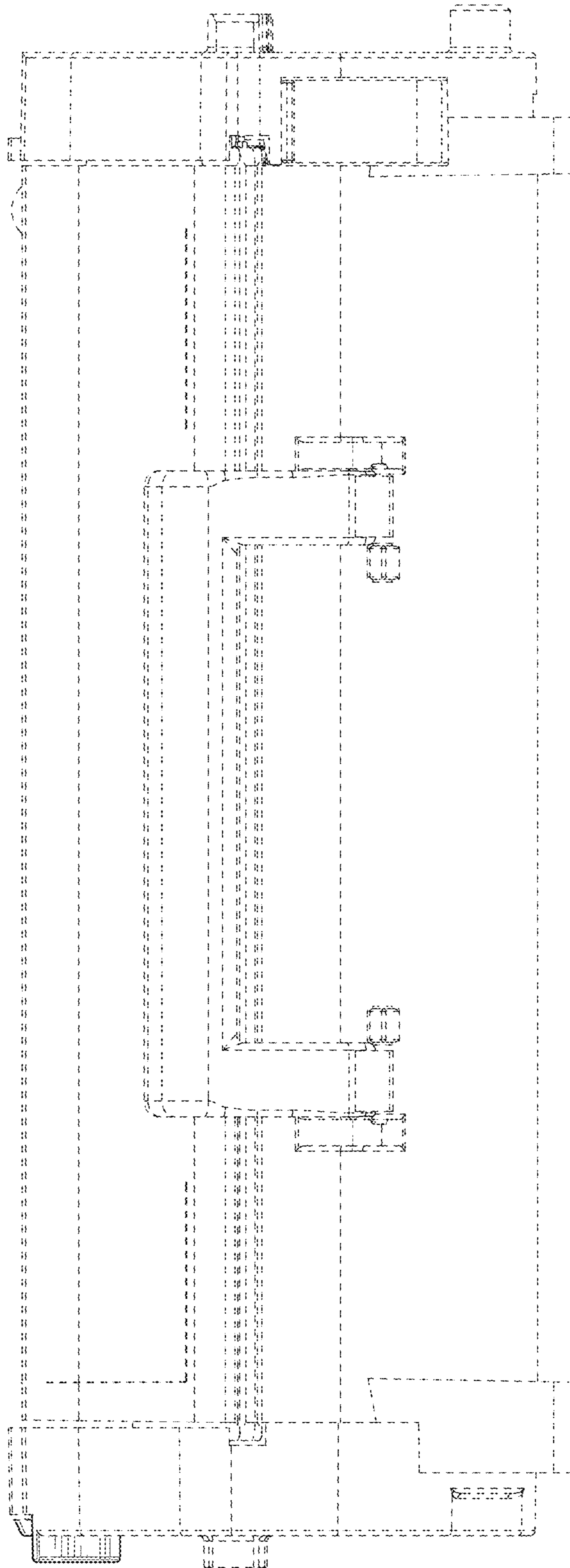


FIG. 7

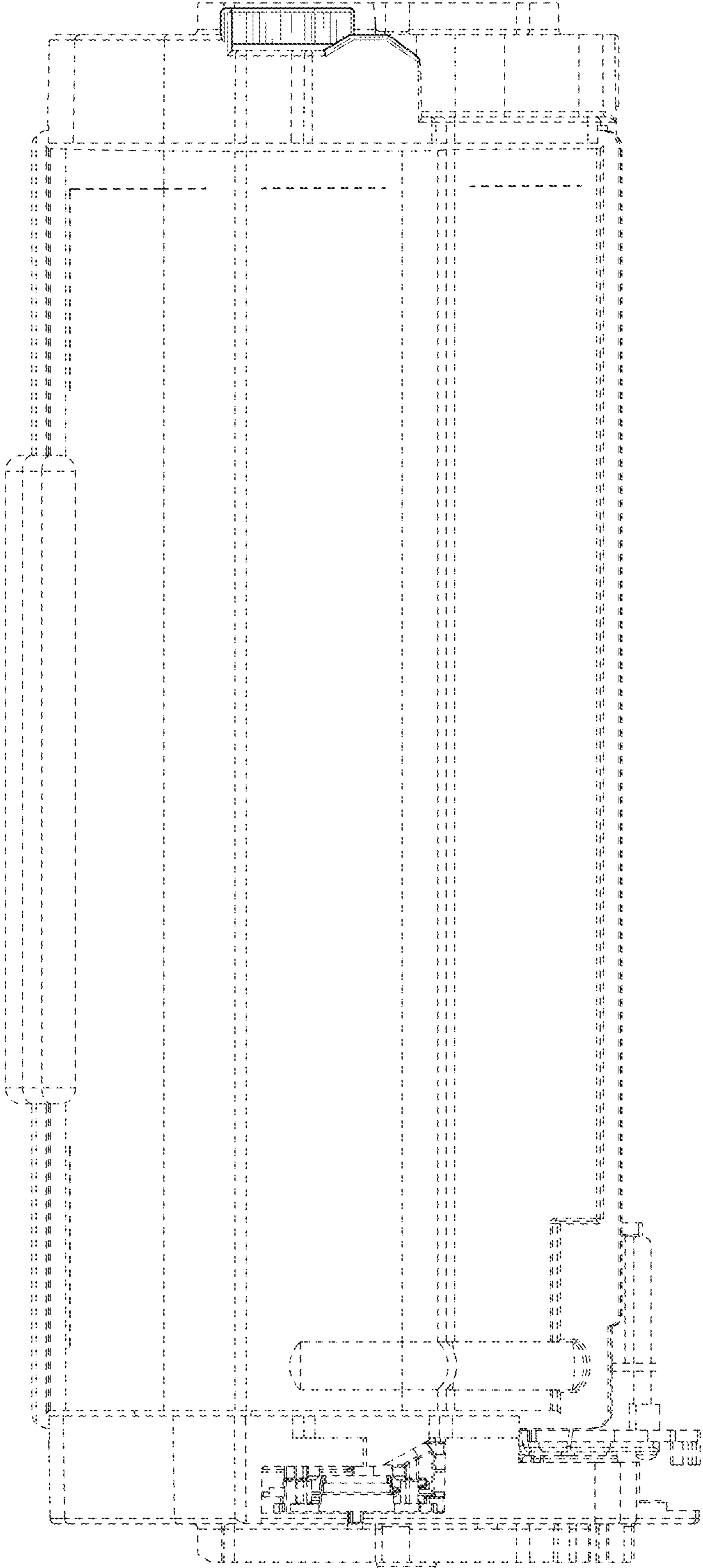


FIG. 9

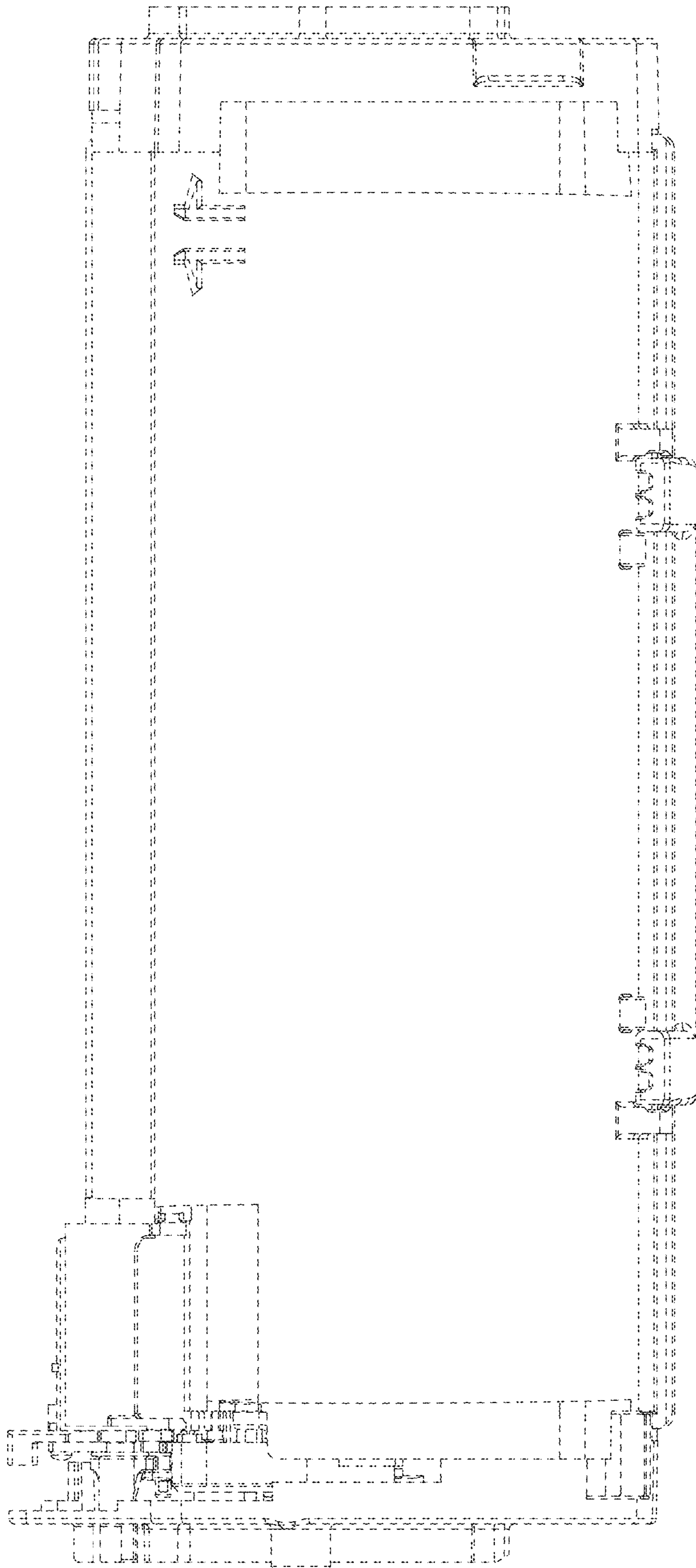


FIG. 10