



US00D955471S

(12) **United States Design Patent** (10) **Patent No.:** **US D955,471 S**
Jing et al. (45) **Date of Patent:** **** Jun. 21, 2022**

(54) **3D PRINTER EXTRUDER**
(71) Applicant: **SHENZHEN MINGDA TECHNOLOGY CO., LTD.**, Shenzhen (CN)
(72) Inventors: **Kunpeng Jing**, Shenzhen (CN); **Huiping Huang**, Shenzhen (CN)
(73) Assignee: **SHENZHEN MINGDA TECHNOLOGY CO., LTD.**, Shenzhen (CN)
(**) Term: **15 Years**
(21) Appl. No.: **29/751,491**
(22) Filed: **Sep. 22, 2020**
(51) **LOC (13) Cl.** **18-02**
(52) **U.S. Cl.**
USPC **D18/50**
(58) **Field of Classification Search**
USPC D14/300, 301, 302, 303, 307, 308, 314, D14/321, 365, 445, 446; D18/4.1, 4.4, D18/4.6, 34.1, 6, 7, 14, 19, 34.3, 34.7, D18/34.8, 34.9, 36, 37, 38, 39, 46, 47, D18/48, 49, 50, 53, 54, 55, 56
CPC H04N 1/00278; B26D 1/045; B26D 1/065; B41J 15/044; B41J 2/1752; B41J 29/02; G06F 3/02
See application file for complete search history.

2020/0262144 A1* 8/2020 Temirbulatov B29C 64/209
2020/0338822 A1* 10/2020 Davenport B33Y 10/00
2021/0129444 A1* 5/2021 Lorusso B29C 64/25
2021/0197478 A1* 7/2021 Erickson B29C 64/232
2021/0206067 A1* 7/2021 Lee B29C 64/232
2021/0291443 A1* 9/2021 Bai B29C 64/106
2021/0291452 A1* 9/2021 Korevaar B29C 64/241

FOREIGN PATENT DOCUMENTS

CN 306130062 * 10/2020

OTHER PUBLICATIONS

1.75mm 0.4mm dual fans extruder, Website Banggood.com, p. 2, Published date Apr. 30, 2019, Retrieved from internet Feb. 18, 2022—29751491—https://bit.ly/36oqAyD (Year: 2019).*

* cited by examiner

Primary Examiner — Jennifer L Rempfer
Assistant Examiner — Danielle Nichole Bowly

(57) **CLAIM**

The ornamental design for a 3D printer extruder, as shown and described.

DESCRIPTION

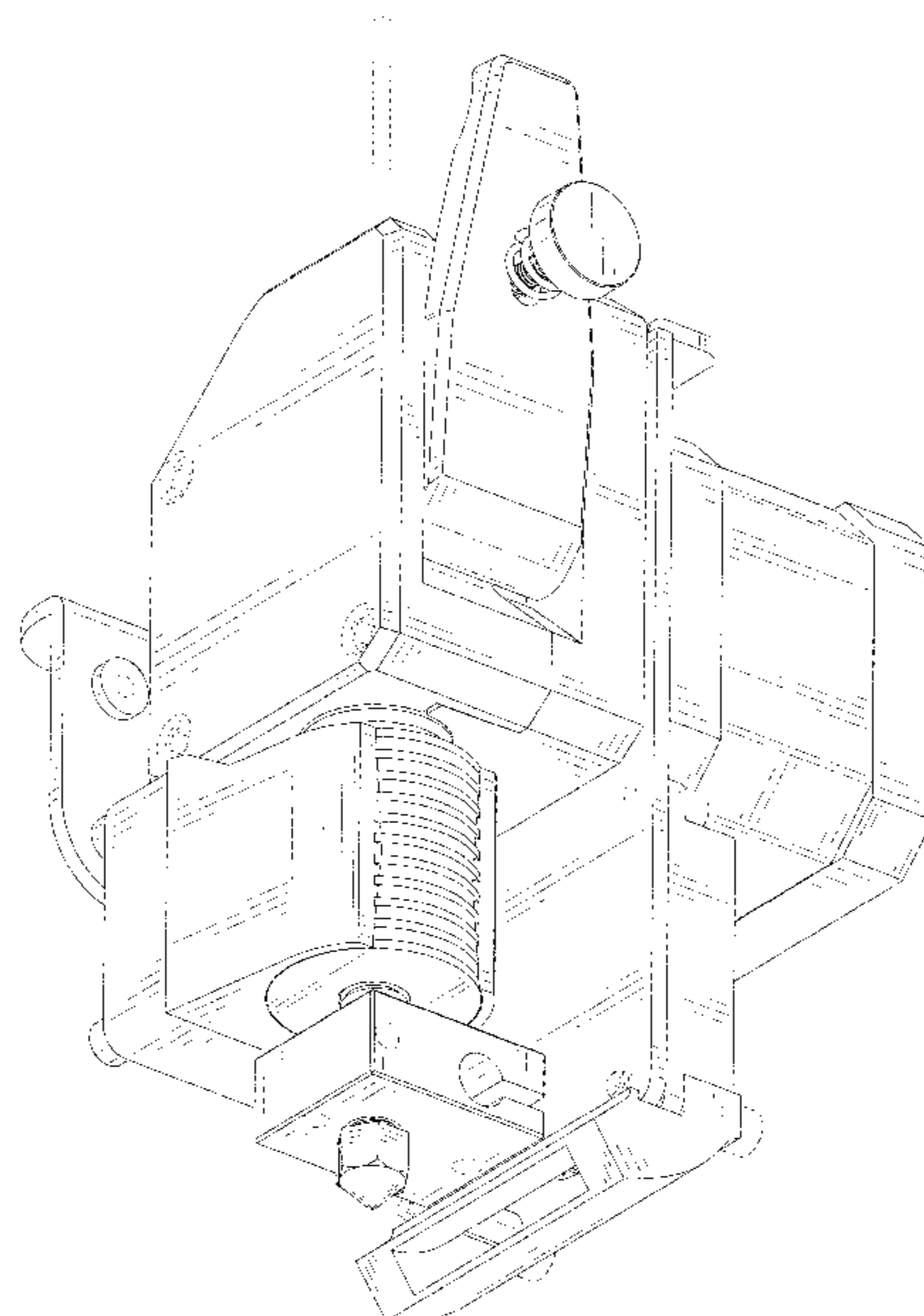
FIG. 1 is a perspective view of a 3D printer extruder showing my new design;
FIG. 2 is another perspective view thereof;
FIG. 3 is a front elevational view thereof;
FIG. 4 is a rear elevational view thereof;
FIG. 5 is a left side elevational view thereof;
FIG. 6 is a right side elevational view thereof;
FIG. 7 is a top plan view thereof; and,
FIG. 8 is a bottom plan view thereof.
The broken lines in the drawings depict portions of the 3D printer extruder that form no part of the claimed design.

1 Claim, 8 Drawing Sheets

(56) **References Cited**

U.S. PATENT DOCUMENTS

2014/0242208 A1* 8/2014 Elsworthy B29C 64/112
425/375
2018/0250737 A1* 9/2018 Moosman B28B 1/001
2018/0290365 A1* 10/2018 Noorazar B29C 64/25
2019/0184639 A1* 6/2019 Lopez Romano B29C 64/25



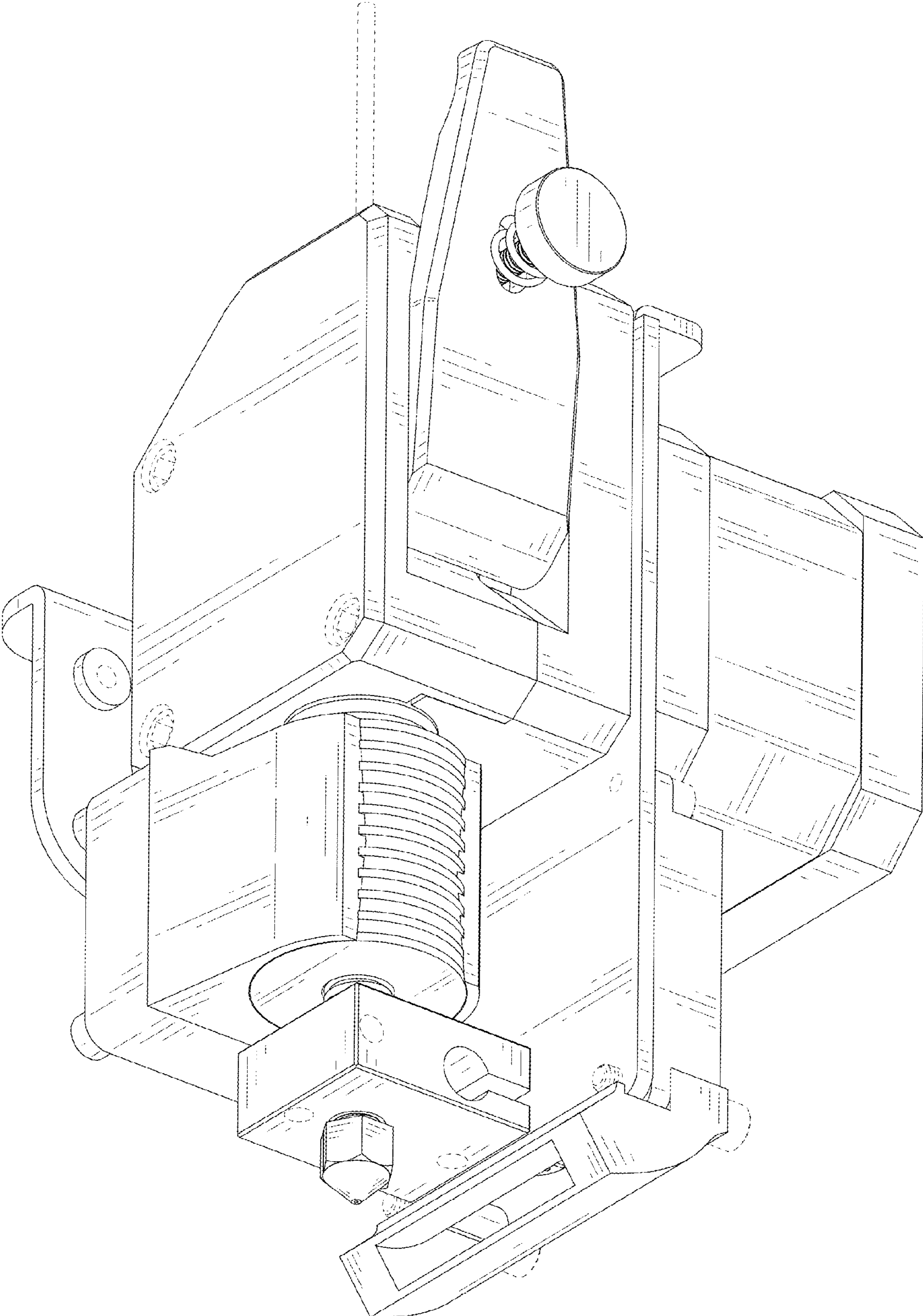


FIG. 1

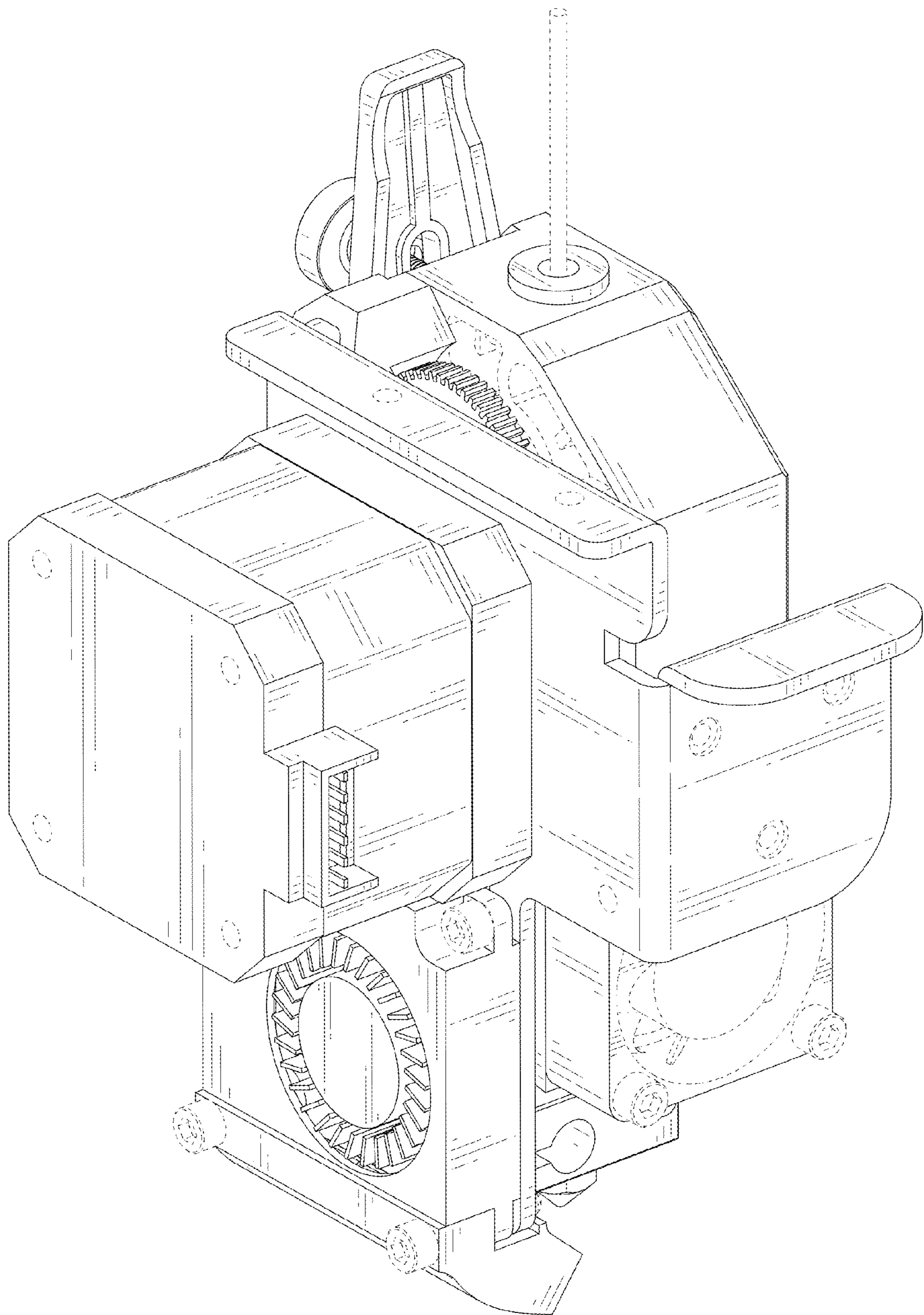


FIG. 2

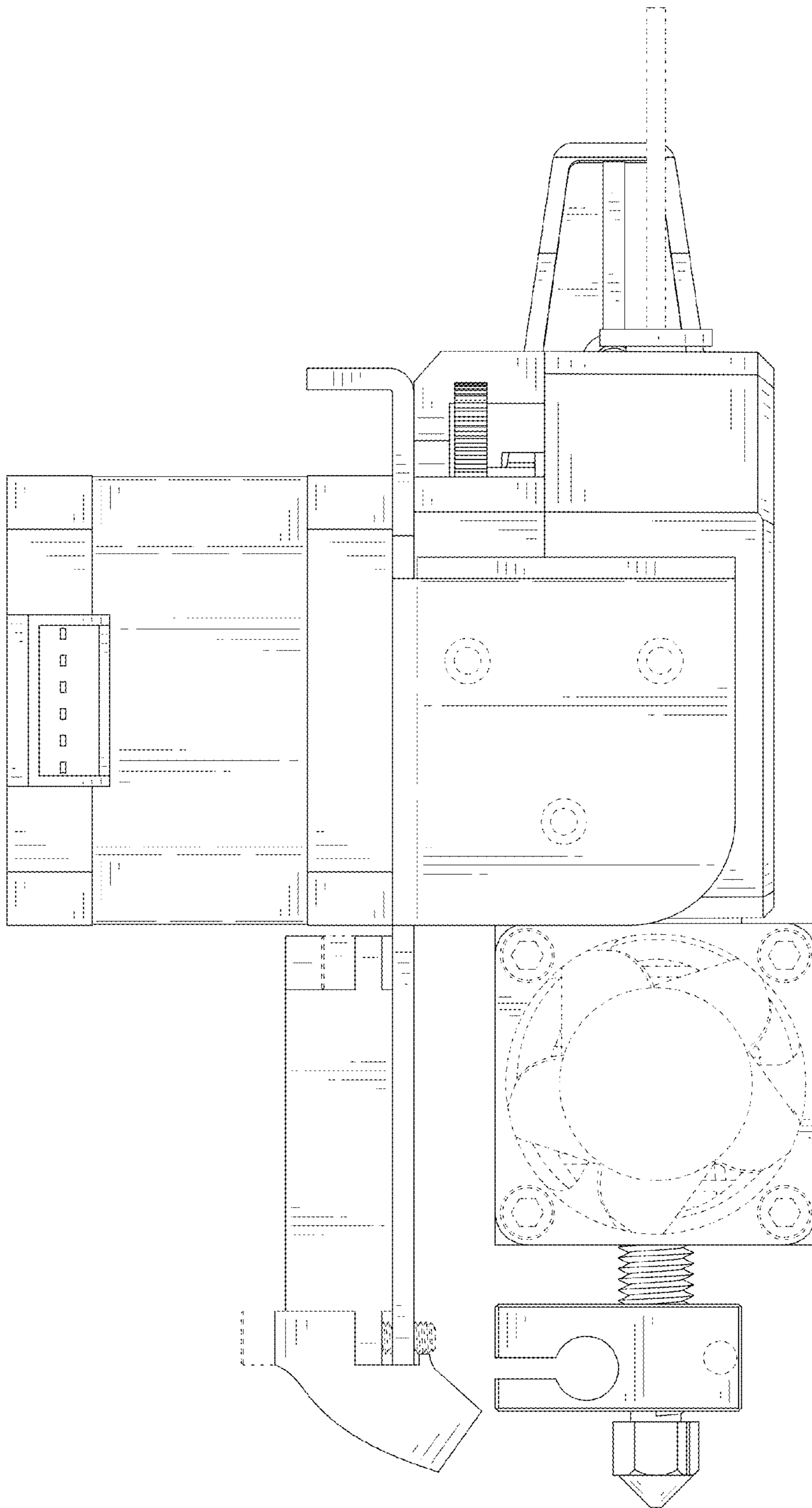


FIG. 3

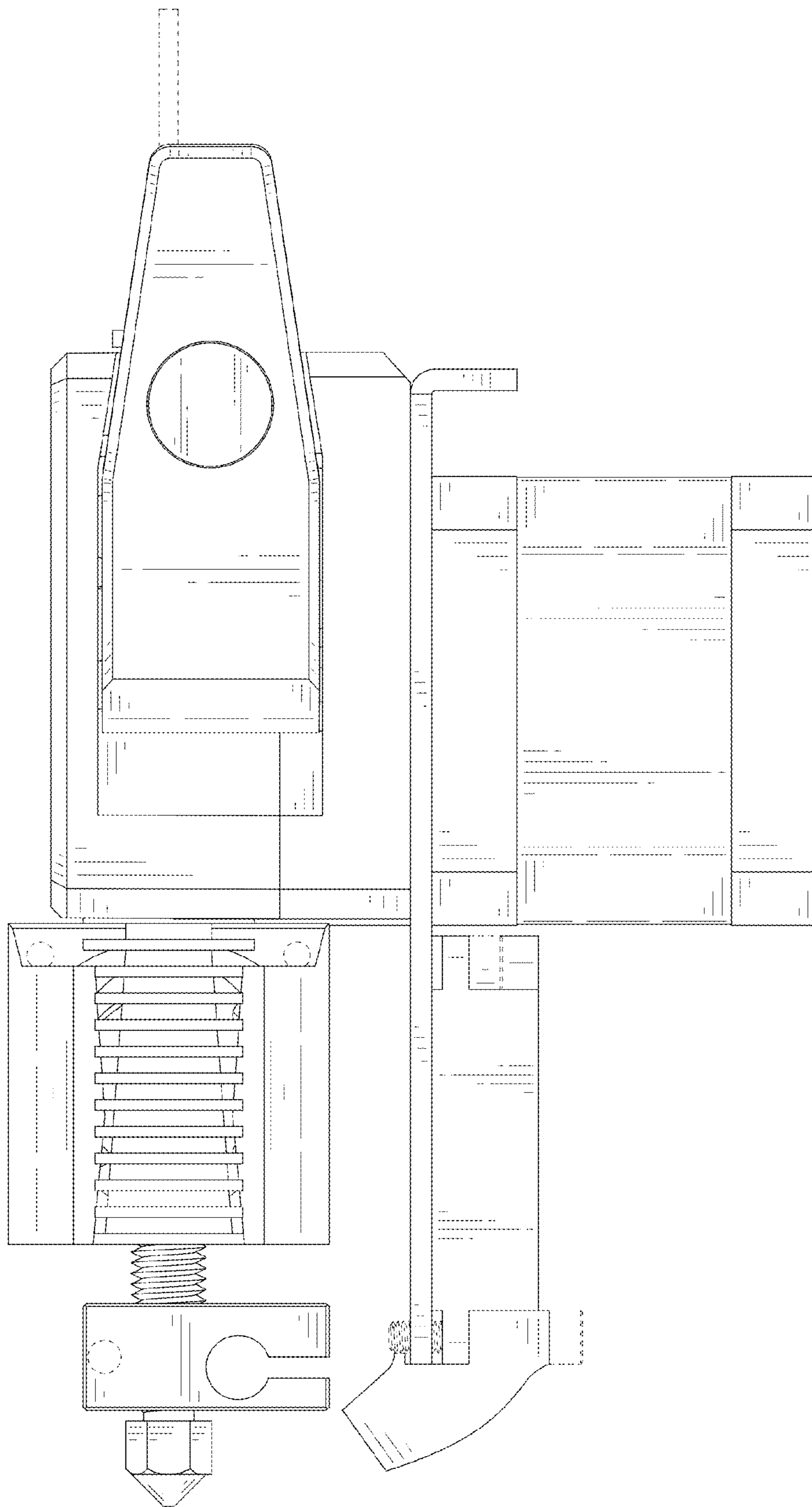


FIG. 4

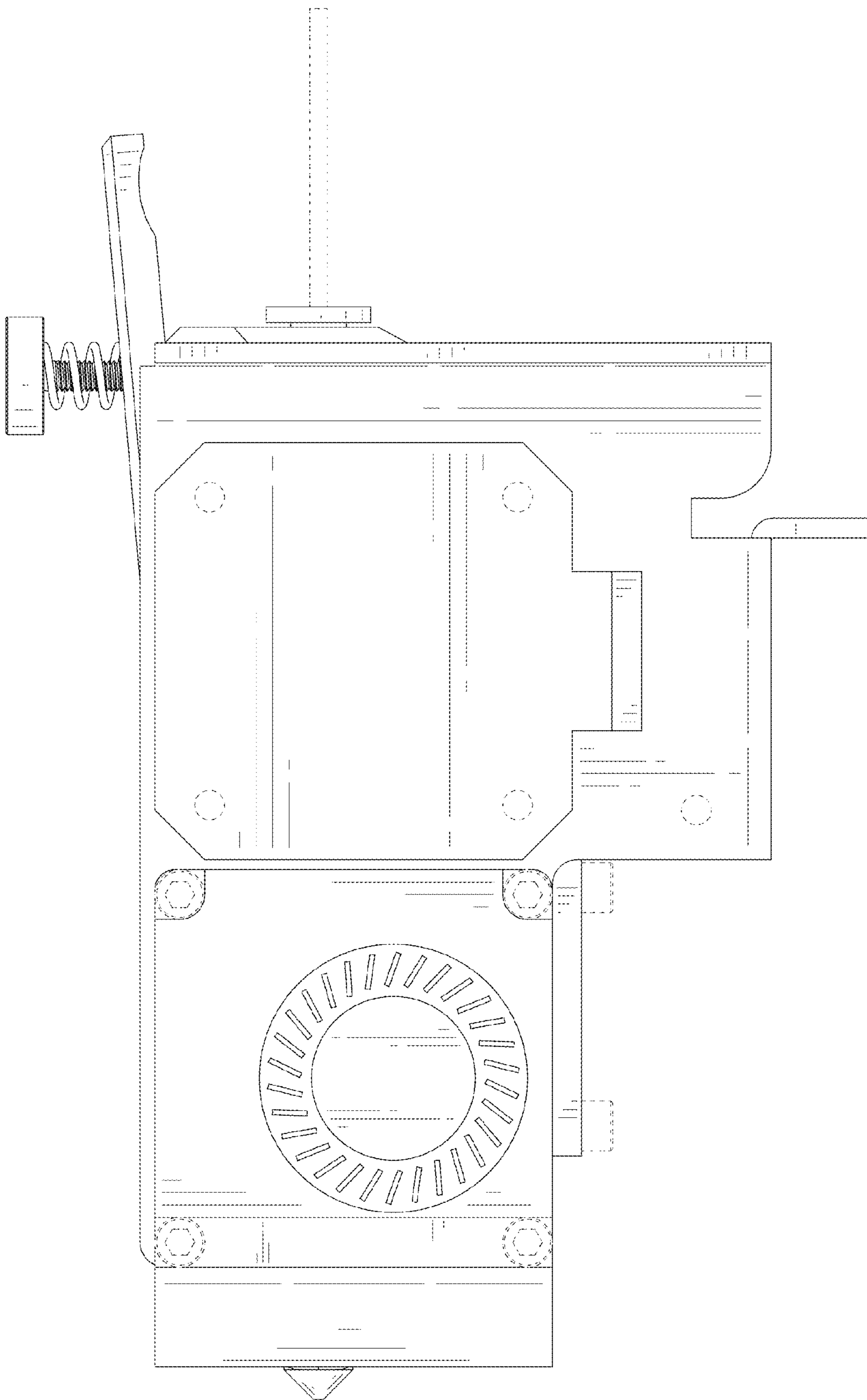


FIG. 5

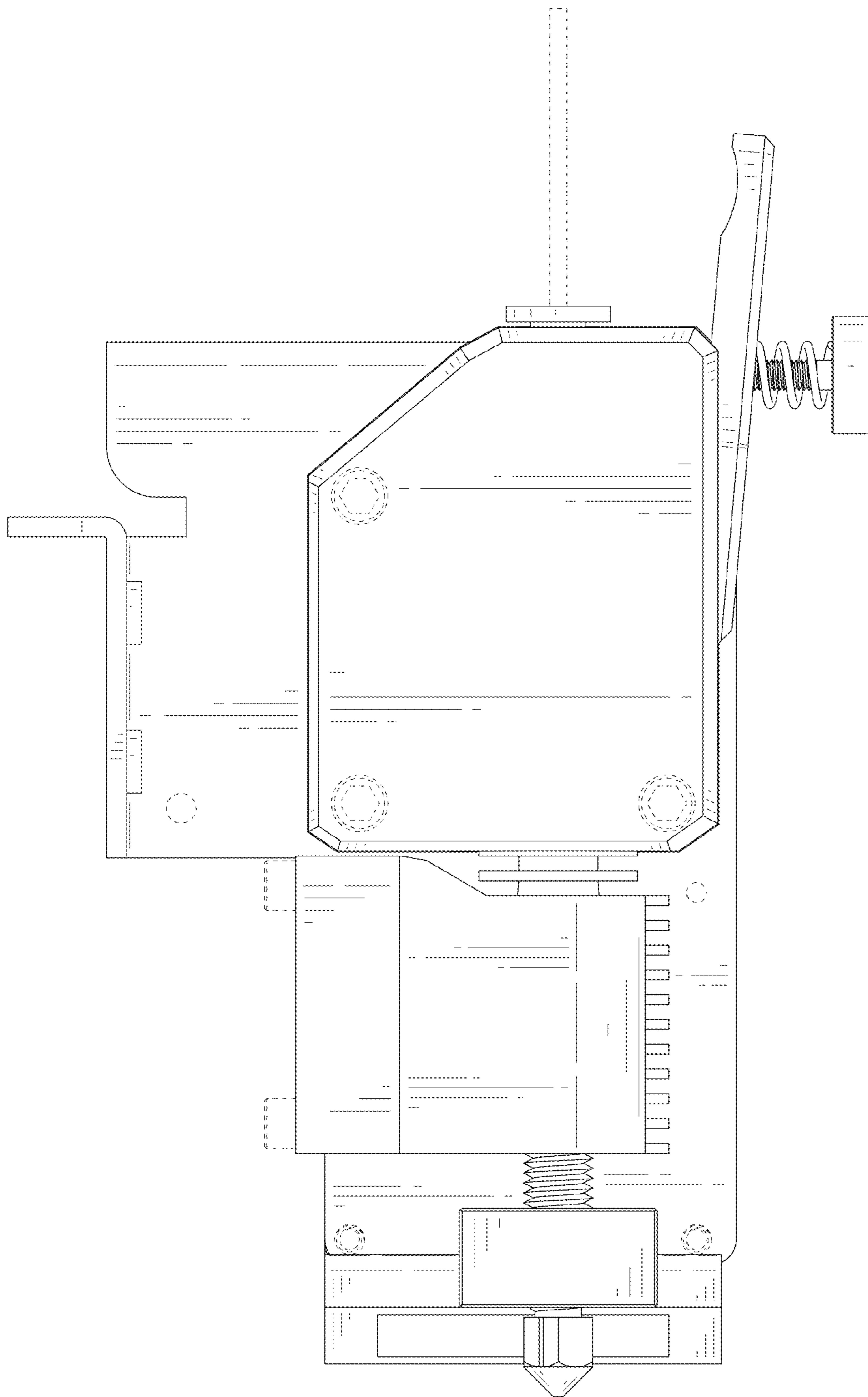


FIG. 6

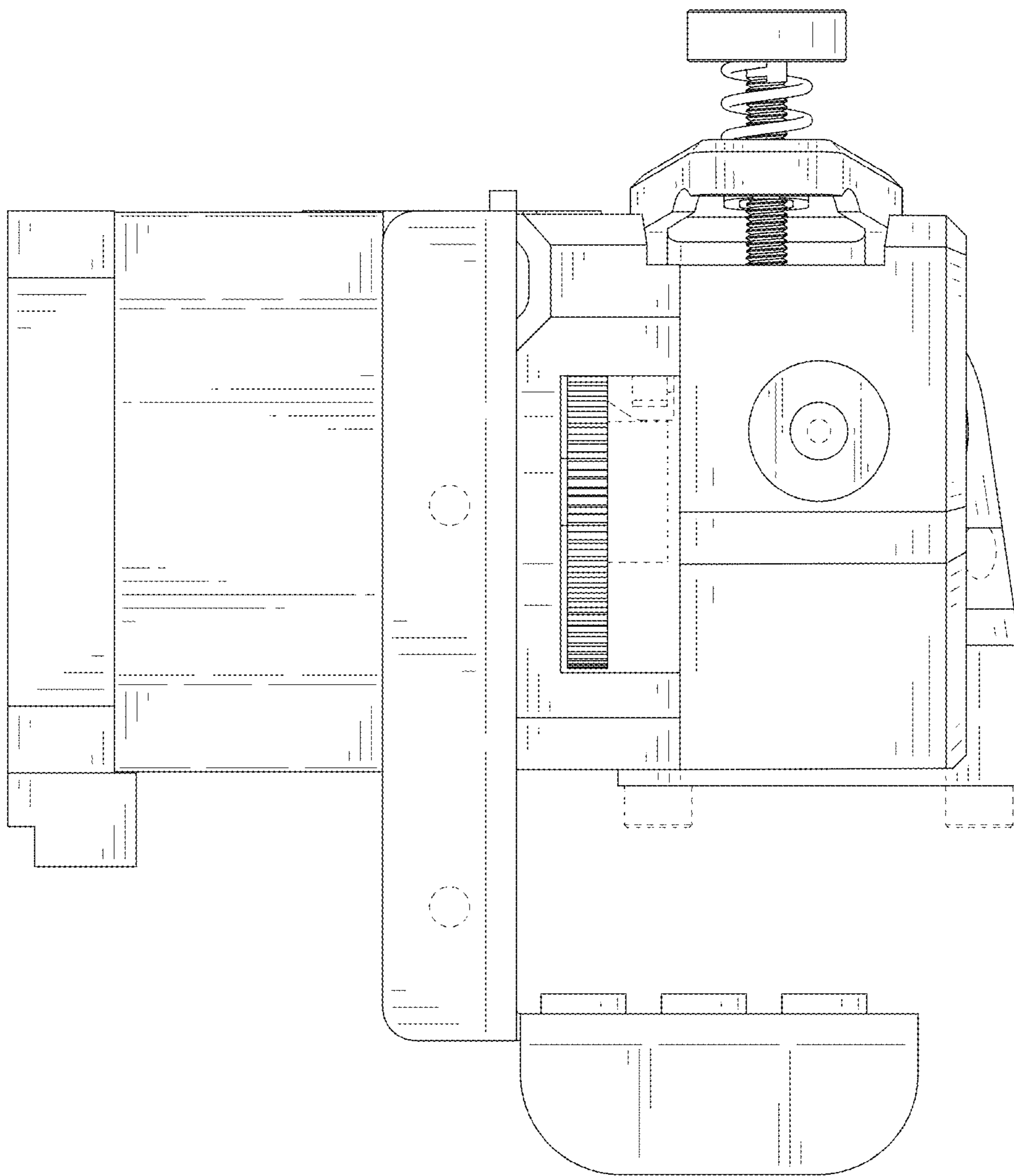


FIG. 7

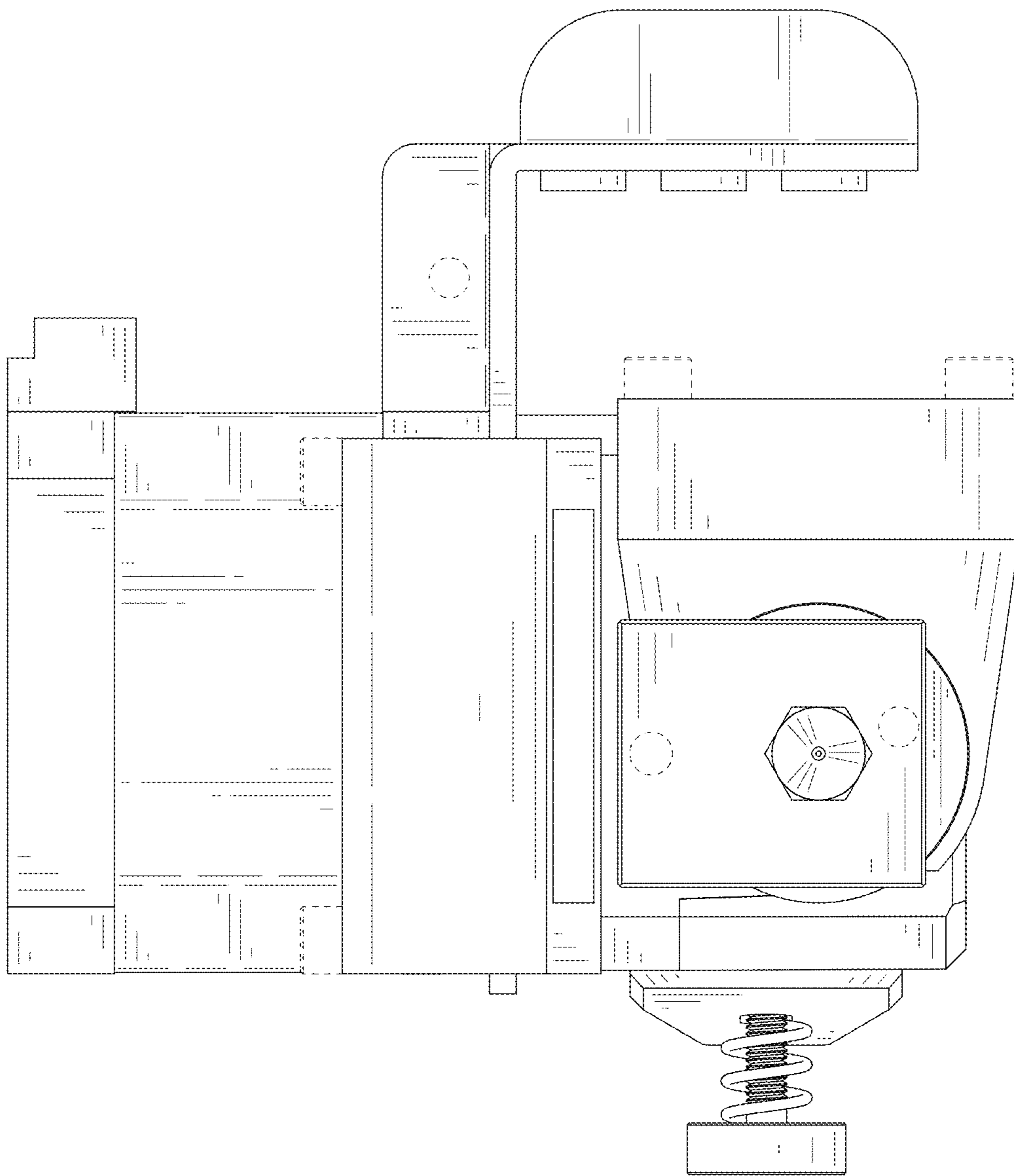


FIG. 8