



US00D955470S

(12) **United States Design Patent**
Kabumoto et al.

(10) **Patent No.:** **US D955,470 S**
(45) **Date of Patent:** **** Jun. 21, 2022**

(54) **IMAGE FORMING UNIT FOR PRINTER**

FOREIGN PATENT DOCUMENTS

(71) Applicant: **Ricoh Company, Ltd.**, Tokyo (JP)

JP D1533194 S 9/2015

(72) Inventors: **Masaaki Kabumoto**, Ohta-ku (JP);
Masateru Kohno, Ohta-ku (JP);
Yoshihisa Minagawa, Ohta-ku (JP);
Masahiro Kurita, Ohta-ku (JP);
Toshihiro Hamamura, Ohta-ku (JP);
Kanako Hirasawa, Ohta-ku (JP);
Shoichi Hibi, Ohta-ku (JP)

OTHER PUBLICATIONS

U.S. Office Action dated Feb. 1, 2022 in U.S. Appl. No. 29/750,011,
19 pages.

(Continued)

(73) Assignee: **RICOH COMPANY, LTD.**, Tokyo (JP)

Primary Examiner — Jennifer L Rempfer
Assistant Examiner — Danielle Nichole Bowly
(74) *Attorney, Agent, or Firm* — Xsensus LLP

(**) Term: **15 Years**

(21) Appl. No.: **29/749,995**

(57) **CLAIM**

(22) Filed: **Sep. 10, 2020**

The ornamental design for an image forming unit for printer,
as shown and described.

(51) **LOC (13) Cl.** **18-02**

(52) **U.S. Cl.**
USPC **D18/50**

(58) **Field of Classification Search**
USPC ... D18/4.1, 4.4, 4.6, 34.1, 6, 7, 14, 19, 34.3,
D18/34.7, 34.8, 34.9, 36, 37, 38, 39, 46,
D18/47, 48, 49, 50, 53, 54, 55, 56, 59;
D14/300, 301, 302, 303, 307, 308, 314,
D14/321, 365, 445, 446; D6/514, 672
CPC H04N 1/00278; B26D 1/065; B26D 1/45;
B41J 15/044; B41J 2/1752; B41J 29/02;
B41J 29/08; B41J 17/00; B41J 15/42;
B41J 15/12; B41J 11/58; B41J 3/4075;
B29C 47/12

See application file for complete search history.

DESCRIPTION

FIG. 1 is a front, top, and right side perspective view of an image forming unit for printer showing the new design; FIG. 2 is an enlarged front, top, and right side perspective view thereof; FIG. 3 is a front, bottom, and right side perspective view thereof; FIG. 4 is an enlarged front, bottom, and right side perspective view thereof; FIG. 5 is a front elevational view thereof; FIG. 6 is a rear elevational view thereof; FIG. 7 is a top plan view thereof; FIG. 8 is a right side elevational view thereof; and, FIG. 9 is a left side elevational view thereof.

The broken lines shown in the figures are for the purpose of illustrating portions of the image forming unit for printer that form no part of the claimed design. The dot-dash lines, which form no part of the claimed design, are a border for the claimed design.

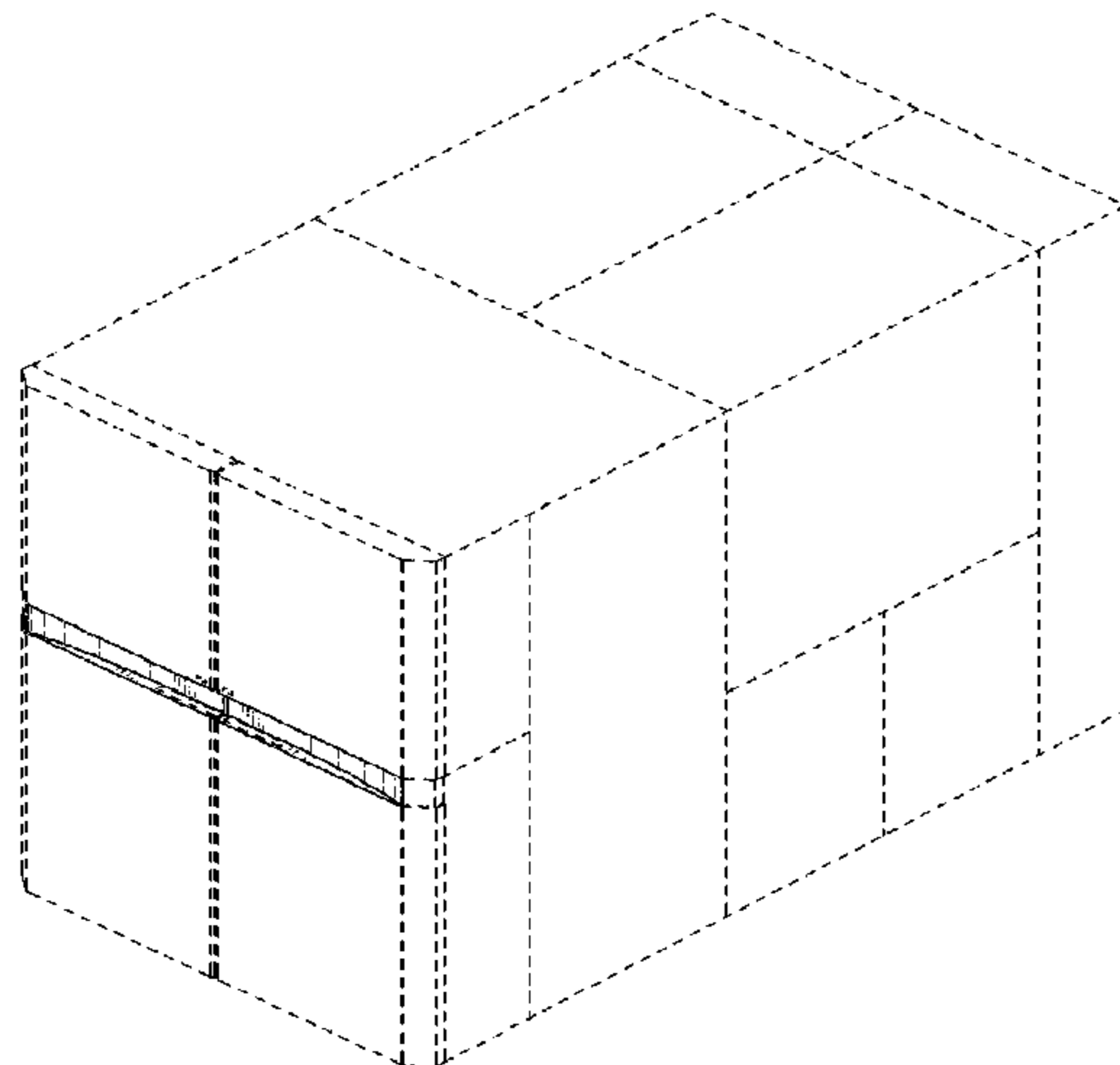
(56) **References Cited**

U.S. PATENT DOCUMENTS

D282,746 S *	2/1986	Johnson	D14/308
D358,413 S *	5/1995	Momose	D18/36
D387,036 S *	12/1997	Harden	D14/308
D389,464 S *	1/1998	Utsuki	D14/308
D621,442 S	8/2010	Kachi		
D671,116 S *	11/2012	Phillips	D14/356

(Continued)

1 Claim, 9 Drawing Sheets



(56)

References Cited

U.S. PATENT DOCUMENTS

D673,212 S 12/2012 Okamoto
D694,818 S 12/2013 Landa
D742,370 S * 11/2015 Chen D14/308
D742,451 S 11/2015 Landa
D750,165 S 2/2016 Landa
D757,170 S 5/2016 Rafa
D763,957 S 8/2016 Kohno
D780,256 S 2/2017 Clark, III
9,884,501 B2 2/2018 Lowrance
D823,385 S * 7/2018 Senshiki D18/53
D854,080 S * 7/2019 Senshiki D18/53
D875,827 S * 2/2020 Zanzotti D18/53
D889,536 S 7/2020 Großmann
D923,669 S * 6/2021 Tavares Andre E21B 7/024
D15/122
D926,832 S 8/2021 Hou
D933,111 S * 10/2021 Tsukamoto D15/122

OTHER PUBLICATIONS

Ricoh Digital Press, p. 1, 2011, YouTube.com-29750011-https://
www.youtube.com/watch?v=o7W_sbfDk4c (Year: 2011).

* cited by examiner

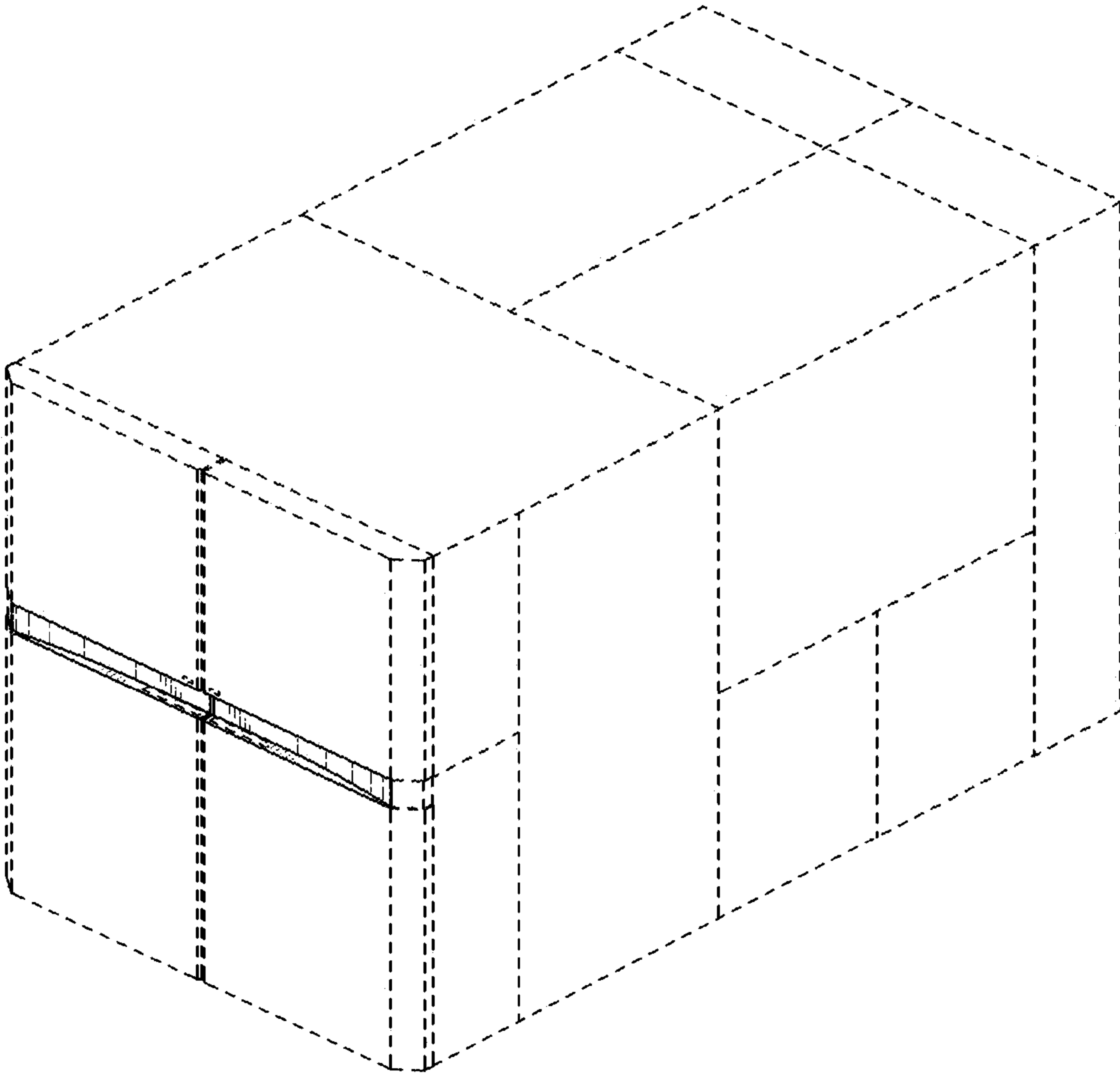


FIG. 1

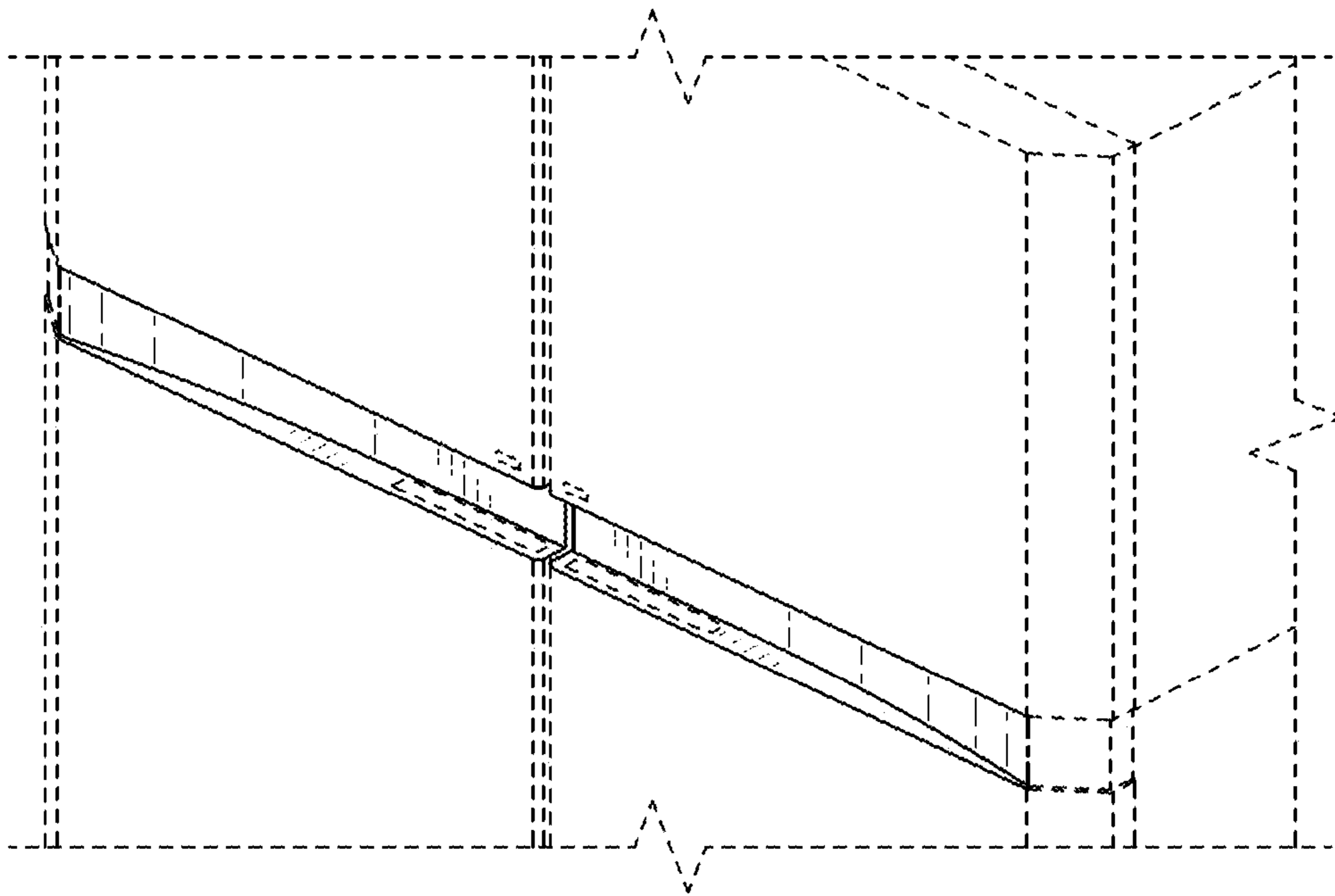


FIG. 2

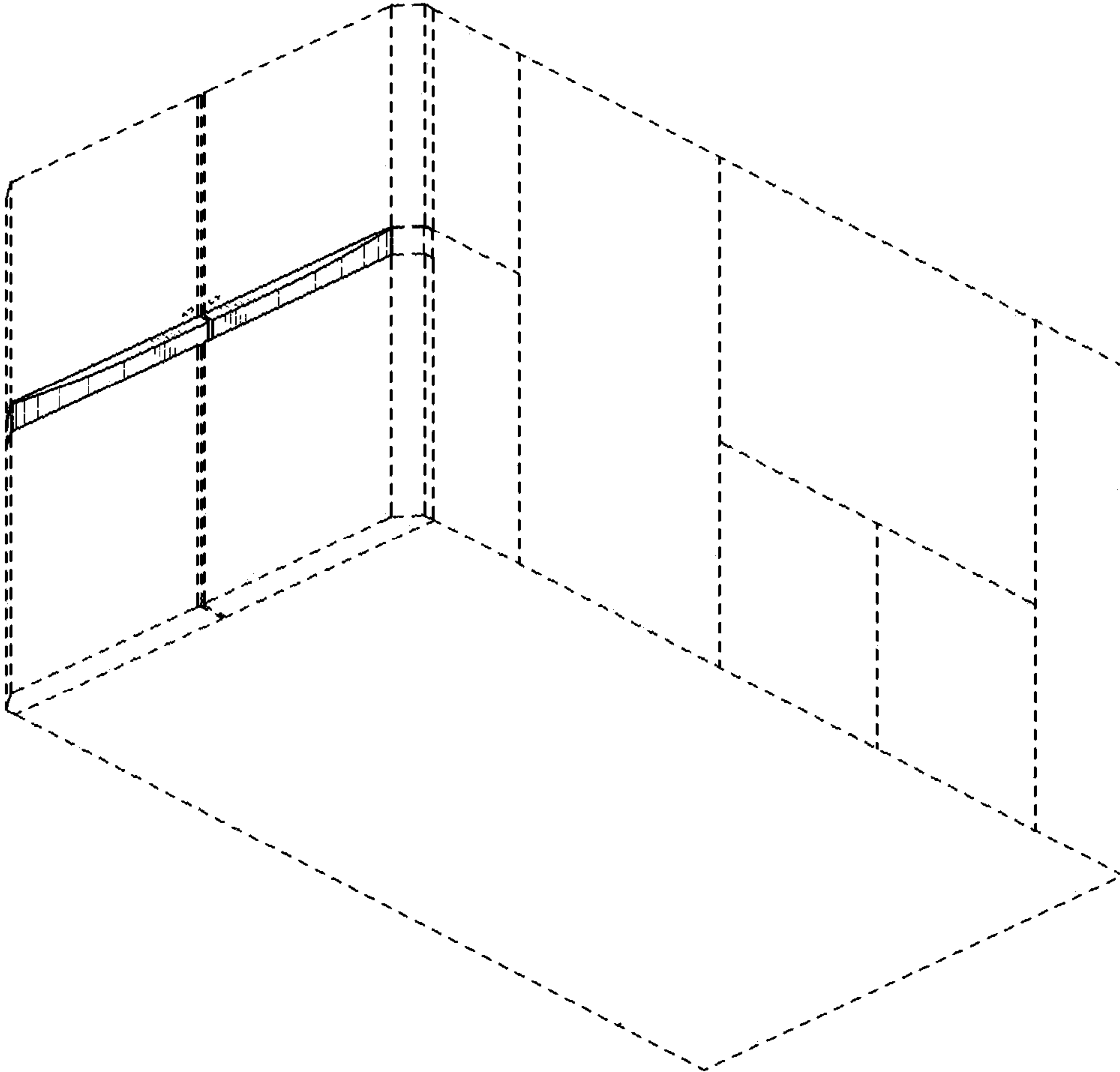


FIG. 3

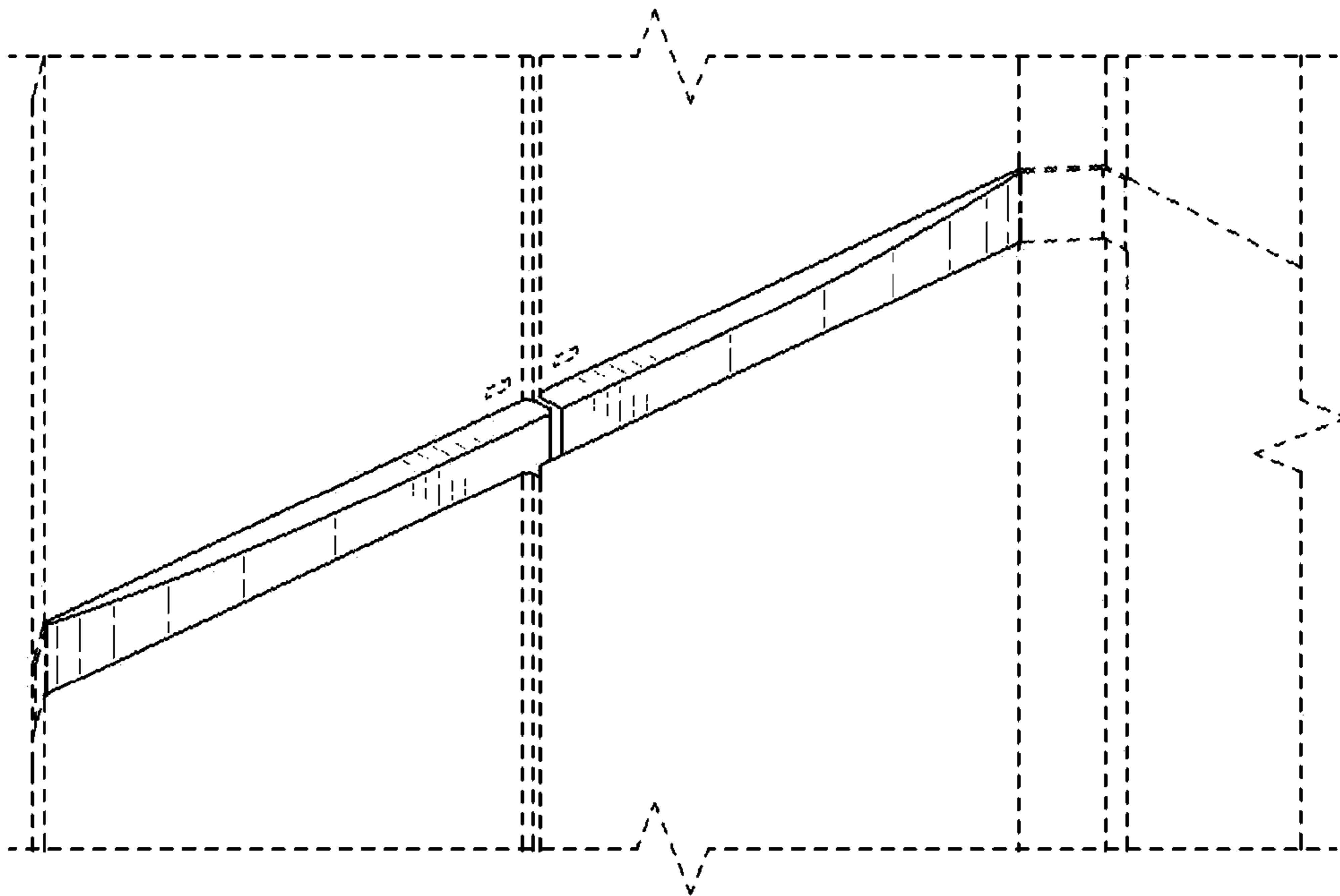


FIG. 4

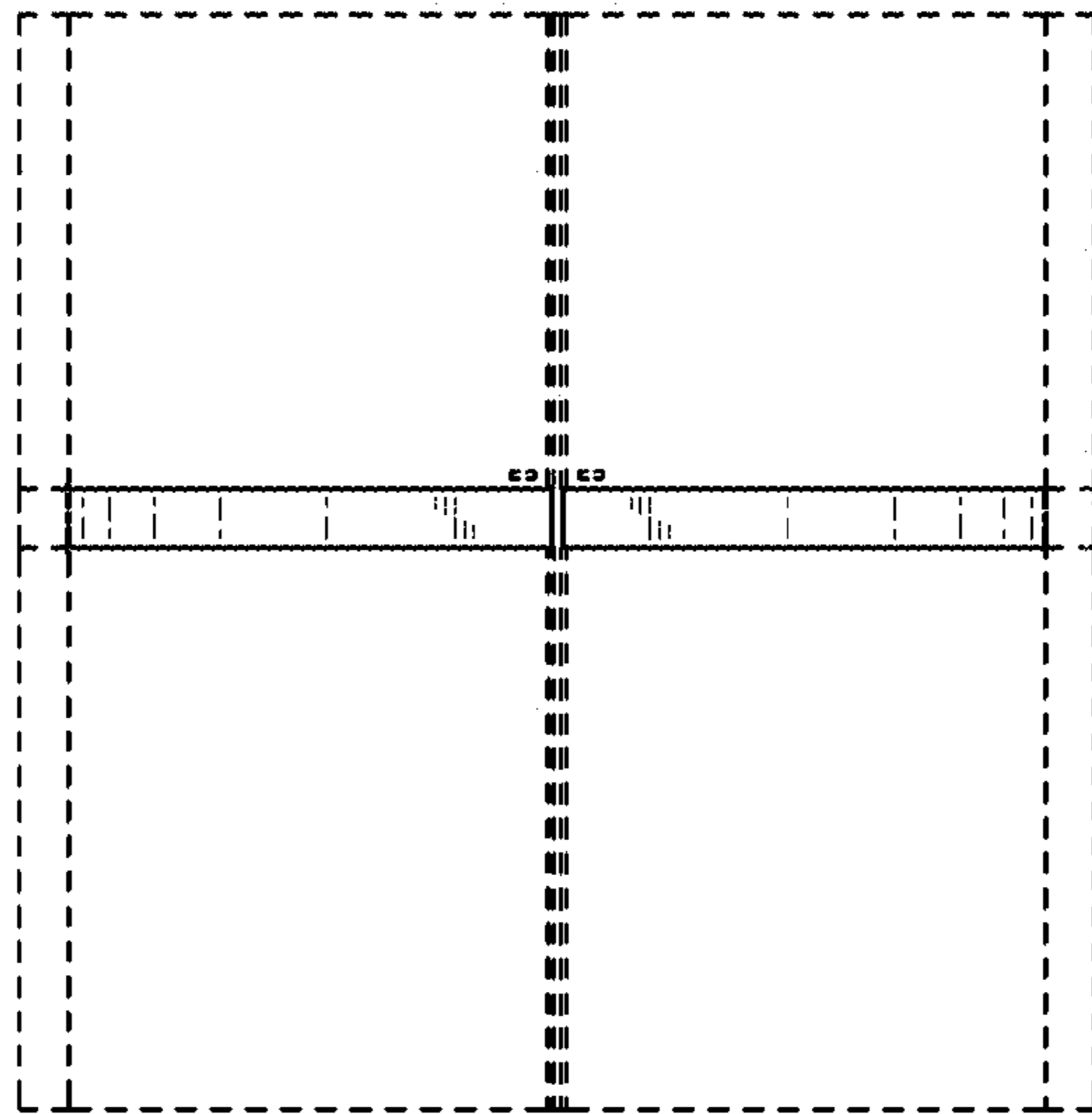


FIG. 5

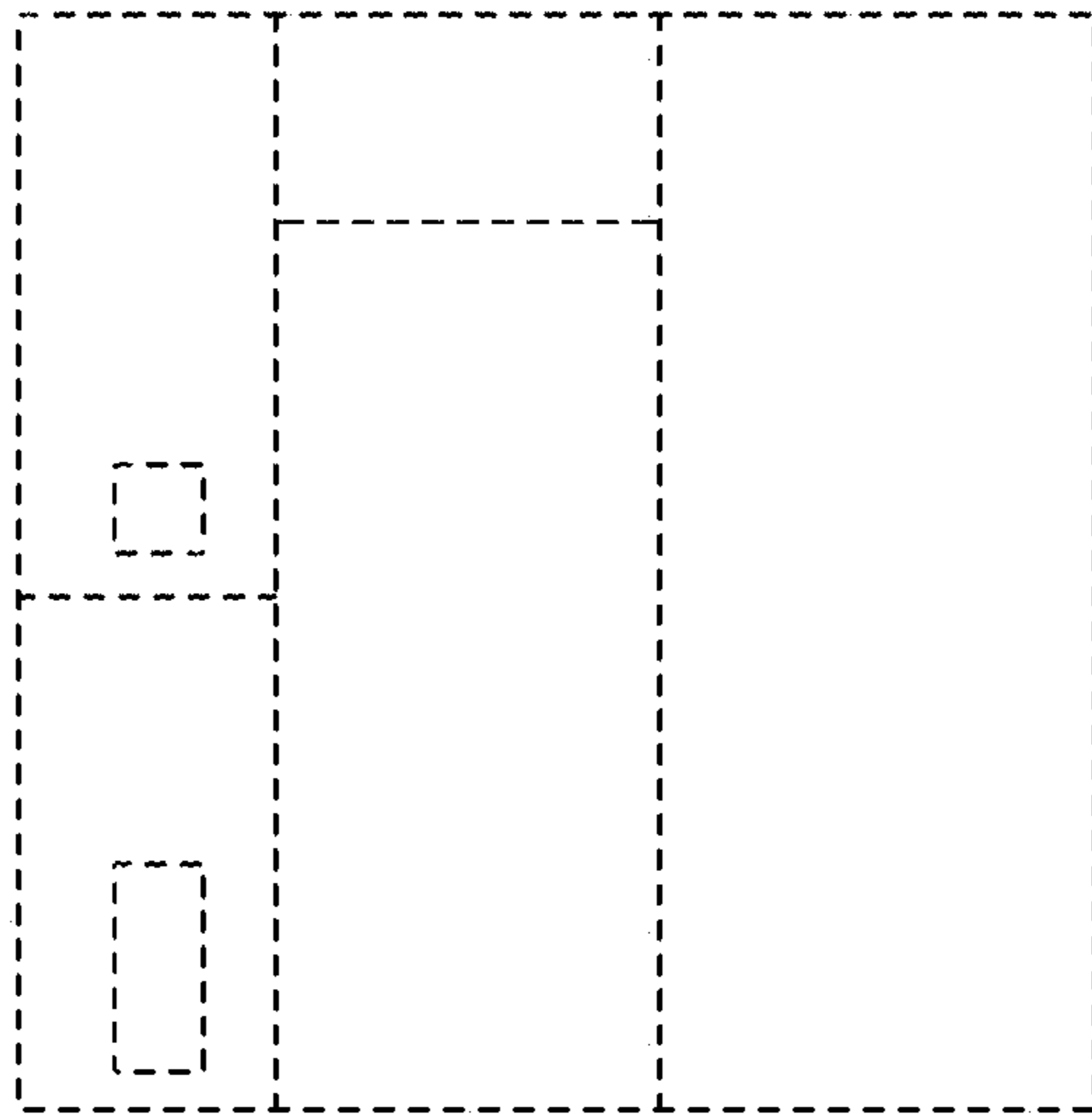


FIG. 6

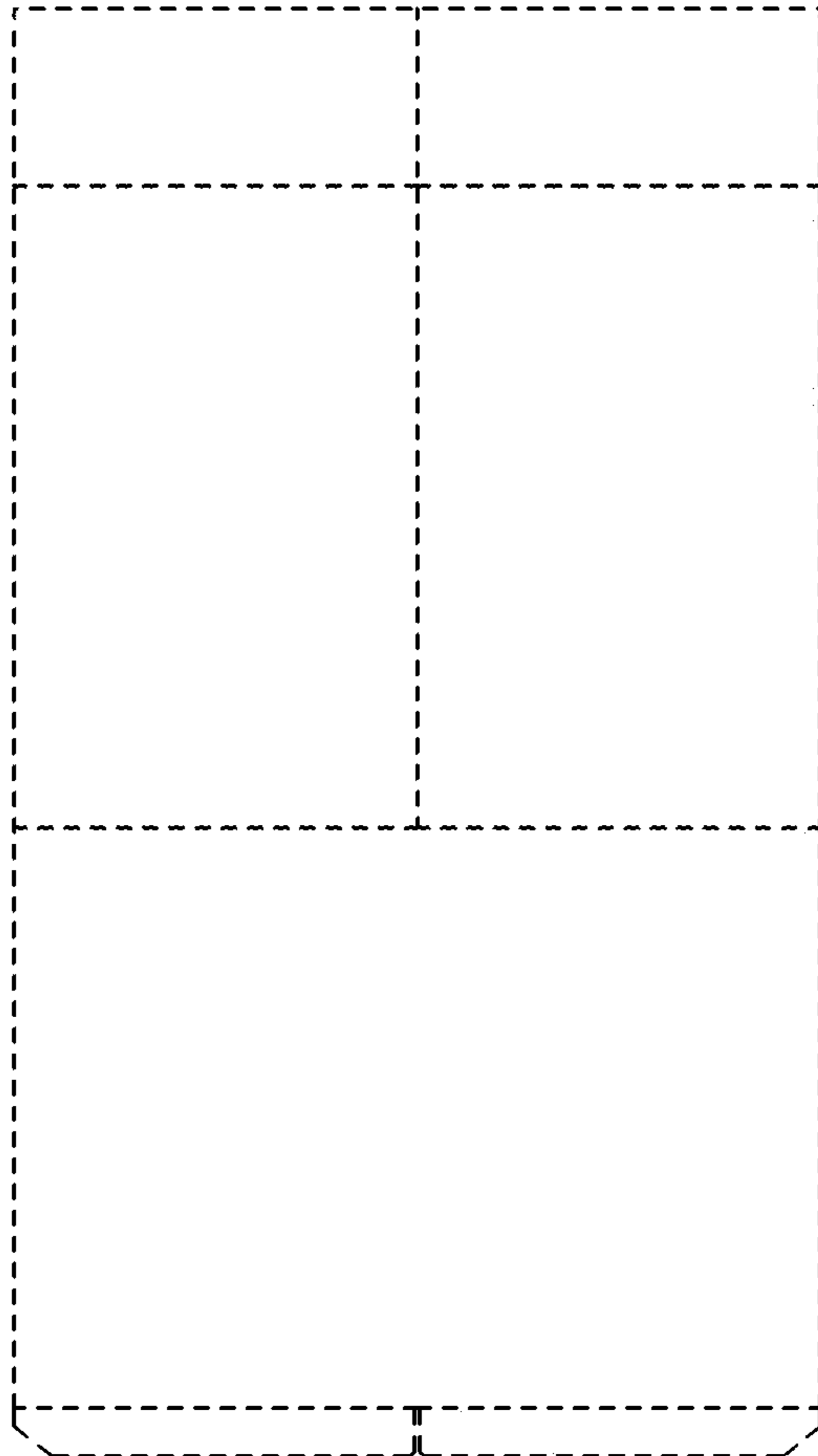


FIG. 7

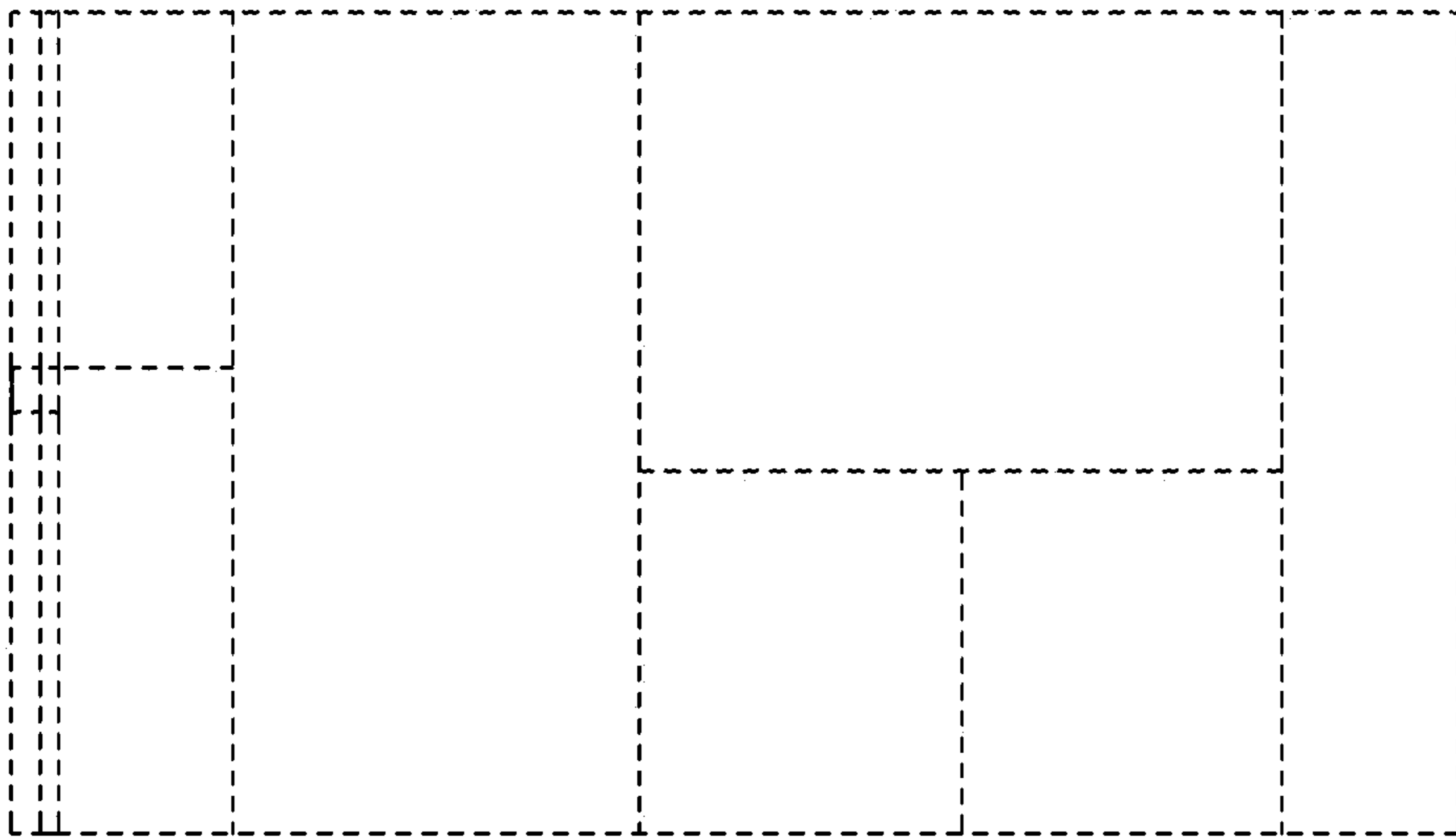


FIG. 8

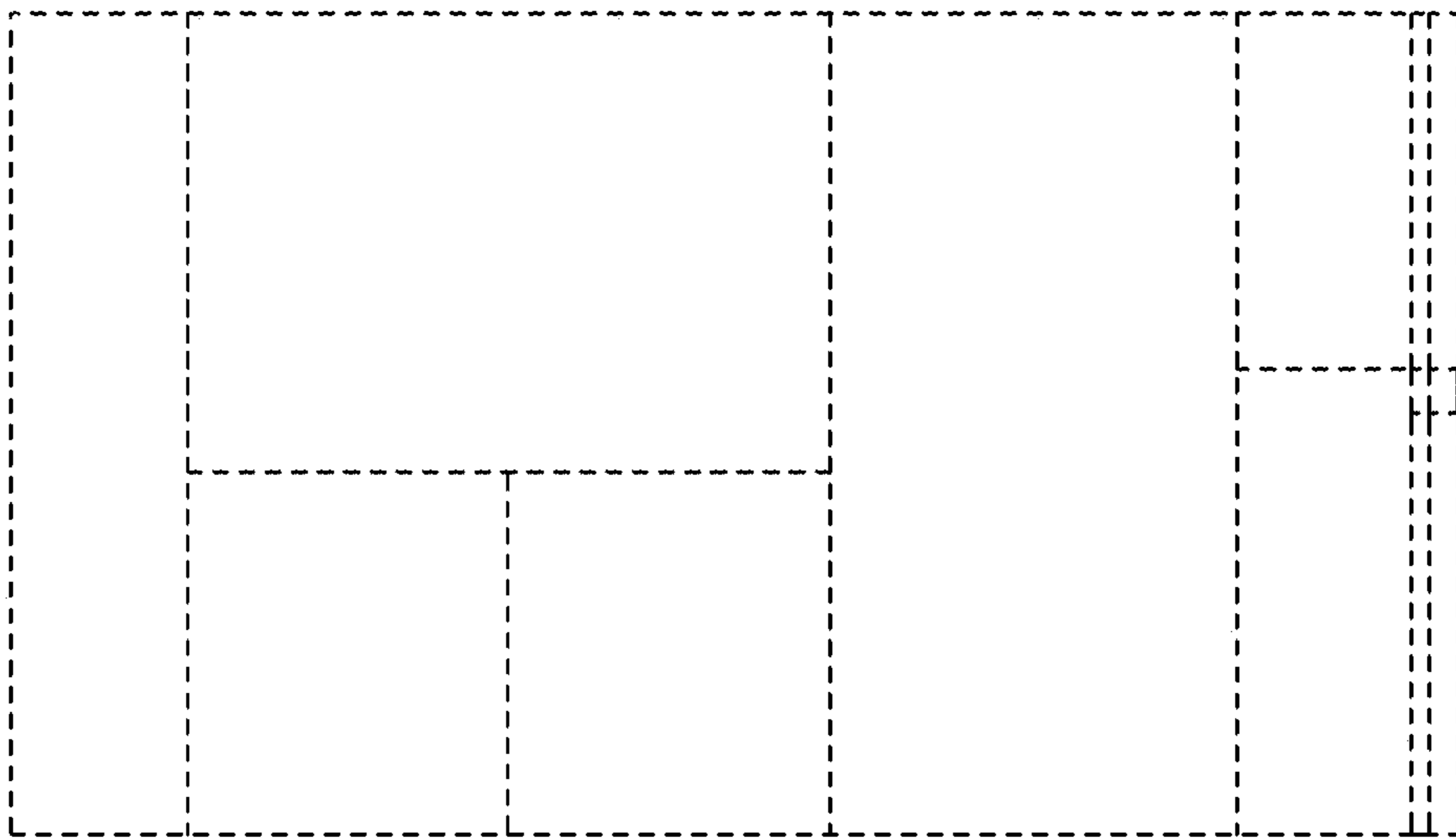


FIG. 9