



US00D955469S

(12) **United States Design Patent** (10) **Patent No.:** **US D955,469 S**
Asano et al. (45) **Date of Patent:** **** Jun. 21, 2022**

(54) **PRINTER**

(71) Applicant: **BROTHER INDUSTRIES, LTD.**,
Nagoya (JP)

(72) Inventors: **Masahide Asano**, Nagoya (JP); **Toshiya Inada**, Nagoya (JP)

(73) Assignee: **BROTHER INDUSTRIES, LTD.**,
Nagoya (JP)

(**) Term: **15 Years**

(21) Appl. No.: **29/690,116**

(22) Filed: **May 6, 2019**

(30) **Foreign Application Priority Data**

Nov. 8, 2018 (JP) 2018-024527
Nov. 8, 2018 (JP) 2018-024528

(51) **LOC (13) Cl.** **14-02**

(52) **U.S. Cl.**
USPC **D18/50**

(58) **Field of Classification Search**
USPC D18/50, 53, 54, 55, 56, 59, 36, 37, 38,
D18/39, 40, 41, 45; D14/301, 307, 121
CPC H04N 1/00278; H04N 1/00204; H04N
1/00249; G06K 15/12; G06K 15/14; B41J
3/00; B41J 3/28; B41J 3/445; B41J 3/46
See application file for complete search history.

(56) **References Cited**

U.S. PATENT DOCUMENTS

D648,377 S * 11/2011 Miyauchi D18/50
D667,489 S * 9/2012 Inoue D18/55
D681,720 S * 5/2013 Inada D18/50
D730,437 S * 5/2015 Seki D18/50
D743,483 S 11/2015 Nanno et al.
D743,484 S 11/2015 Nanno et al.
D752,138 S * 3/2016 Seki D18/50

D752,139 S * 3/2016 Seki D18/50
D758,483 S * 6/2016 Seki D18/50
D806,790 S * 1/2018 Sato D18/50
D815,683 S * 4/2018 Tanaka D18/50
D827,021 S 8/2018 Asano et al.
D914,084 S * 3/2021 Takeuchi D18/55
D923,702 S * 6/2021 Lim D18/50

(Continued)

FOREIGN PATENT DOCUMENTS

JP D1634498 * 2/2022
JP D1662193 * 2/2022
JP D1675492 * 3/2022

OTHER PUBLICATIONS

Amazon. Link: <https://www.amazon.com/Brother-MFCJ6945DW-INKvestment-Wireless-Printing/dp/B07GD52JR4>. Sep. 4, 2018. Brother Inkjet Printer, MFCJ6945DW (Year: 2018).*

(Continued)

Primary Examiner — Lauren D McVey
(74) *Attorney, Agent, or Firm* — Oliff PLC

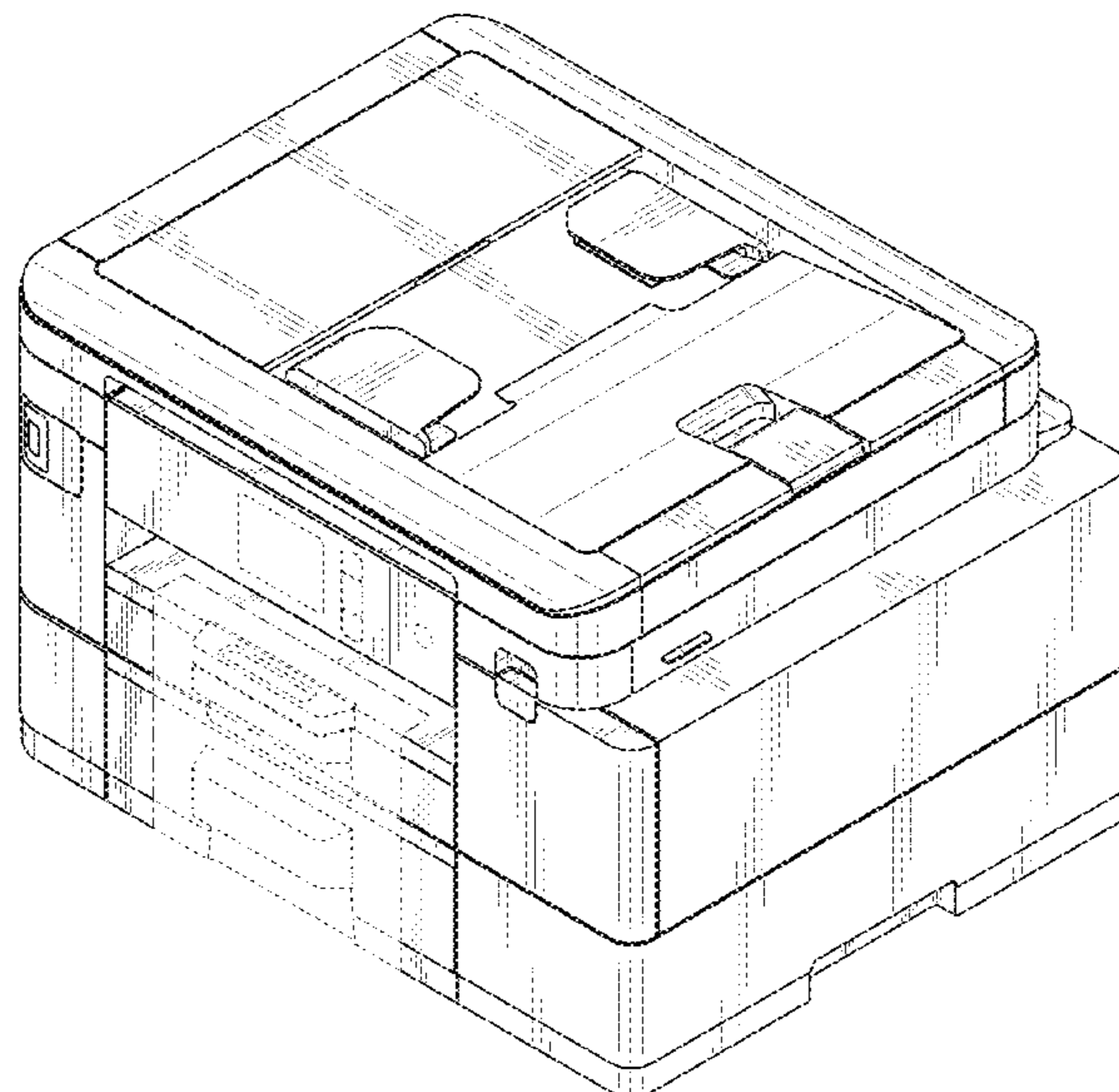
(57) **CLAIM**

The ornamental design for a printer, as shown and described.

DESCRIPTION

FIG. 1 is a perspective view of a printer; FIG. 2 is a front elevational view thereof; FIG. 3 is a rear elevational view thereof; FIG. 4 is a left-side elevational view thereof; FIG. 5 is a right-side elevational view thereof; FIG. 6 is a top plan view thereof; and, FIG. 7 is a bottom plan view thereof. The evenly spaced broken lines depict unclaimed parts of the printer and form no part of the claimed design. The dot-dash chain lines depict a boundary of the claimed subject matter and form no part of the claimed design.

1 Claim, 7 Drawing Sheets



(56)

References Cited

U.S. PATENT DOCUMENTS

D932,543 S * 10/2021 Yamamoto D18/53
D942,536 S * 2/2022 Odachi D18/53

OTHER PUBLICATIONS

RTINGS.com. Link: <https://www.rtings.com/printer/reviews/epson/ecotank-et-15000>. Sep. 22, 2020. Epson EcoTank ET-15000 Printer Review. (Year: 2020).*

RTINGS.com. Link: <https://www.rtings.com/printer/reviews/best/by-usage/office>. Jan. 25, 2022. The 5 Best Office Printers—Winter 2022. (Year: 2022).*

Amazon. Link: https://www.amazon.com/Brother-INKvestment-MFC-J4535DWC-Wireless-Printer/dp/B09F89DJQT/ref=sr_1_1?crid=2AWCZP9ZS6D0R&keywords=B09F89DJQT&qid=1646859657&s=electronics&prefix=b09f89djqt%2Celectronics%2C52&sr=1-1. Sep. 2, 2021. (Year: 2021).*

* cited by examiner

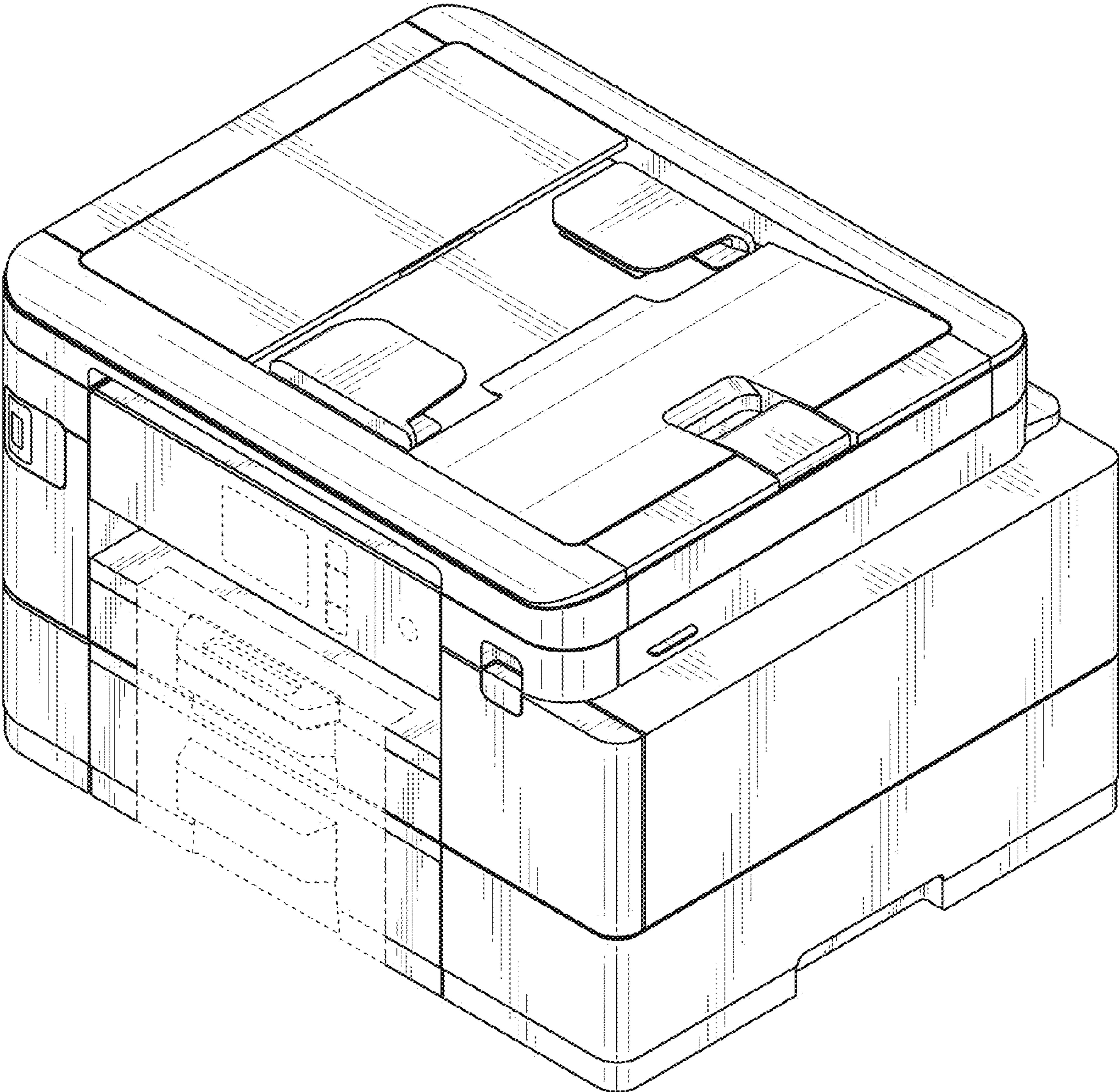


FIG. 1

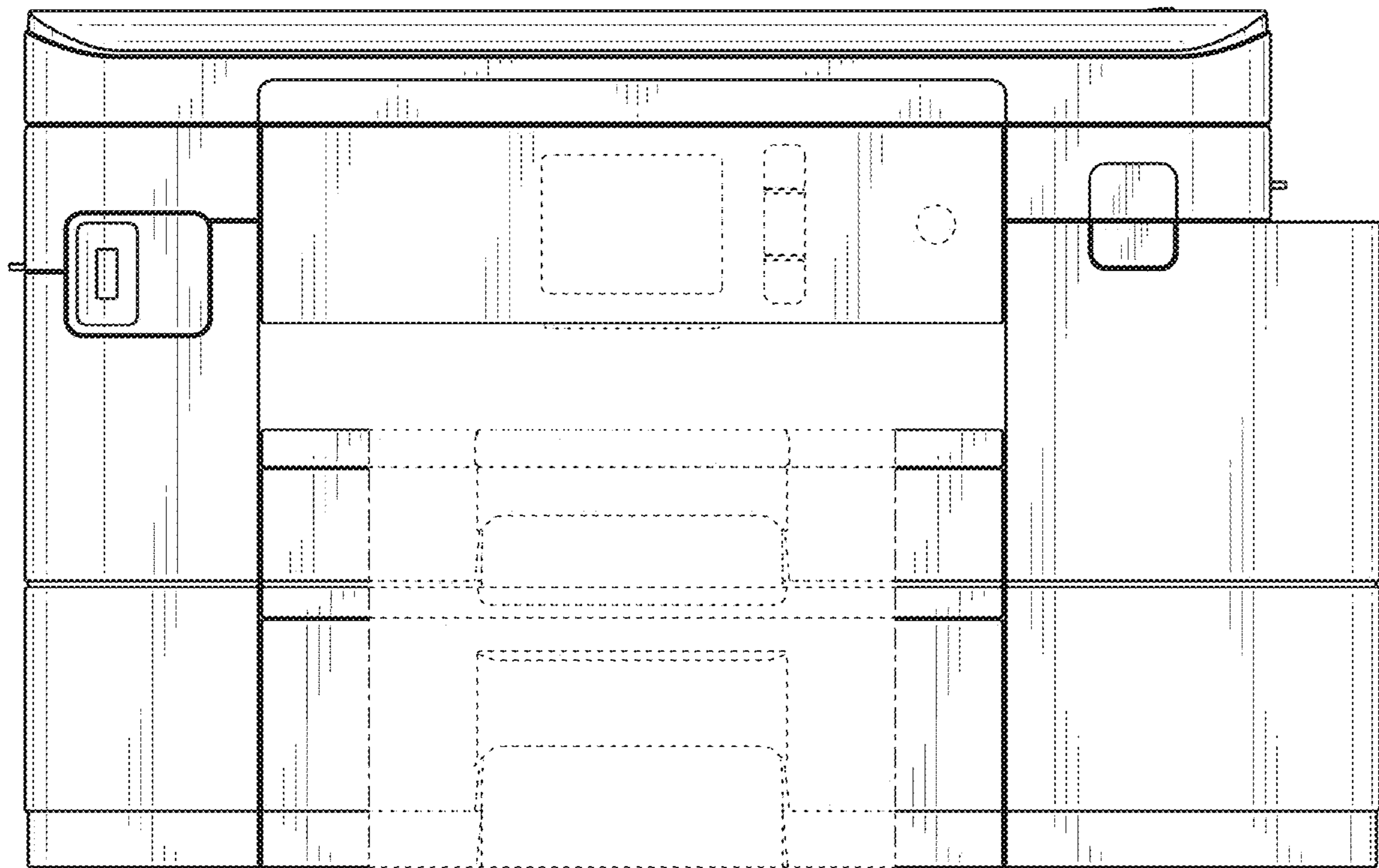


FIG. 2

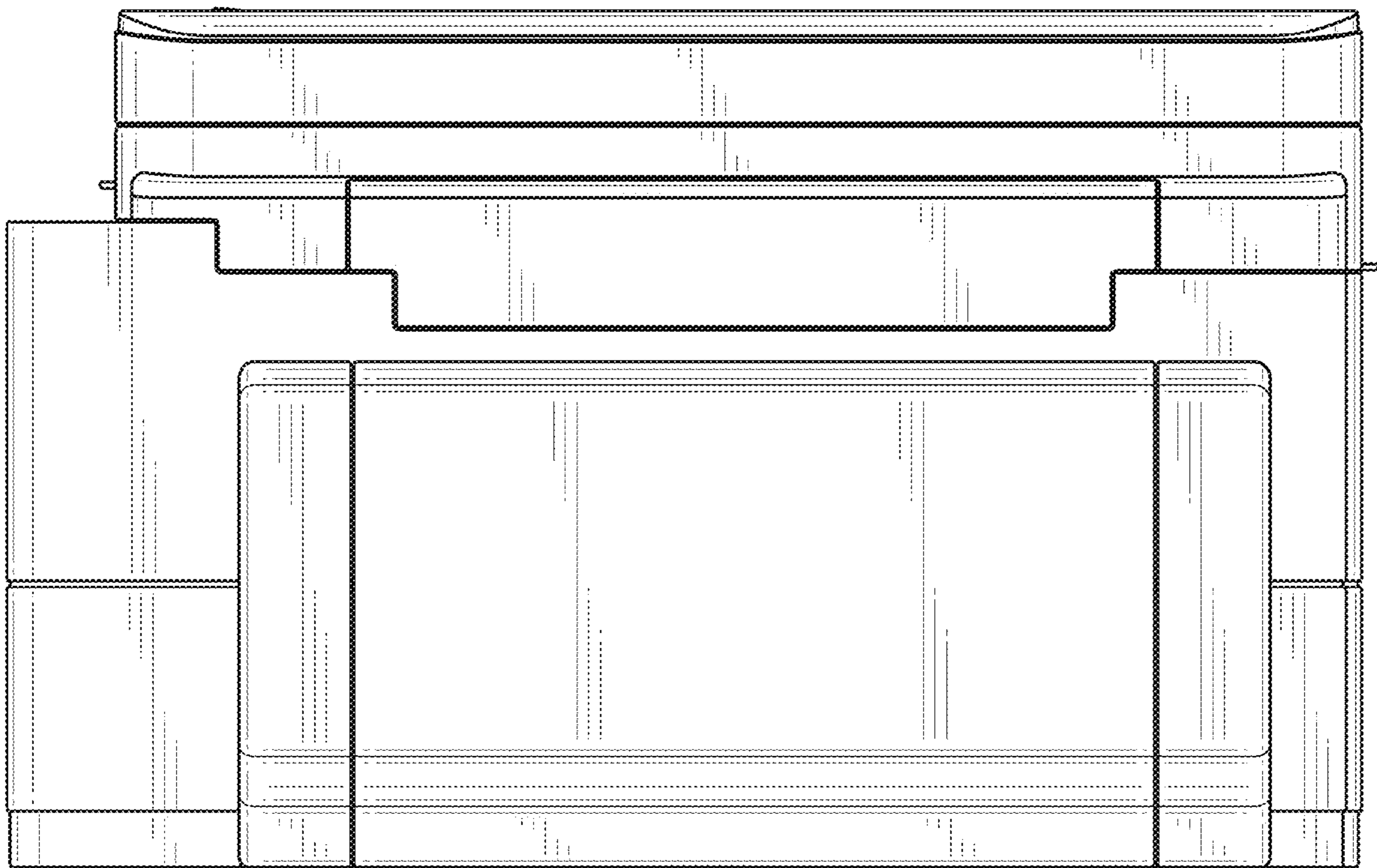


FIG. 3

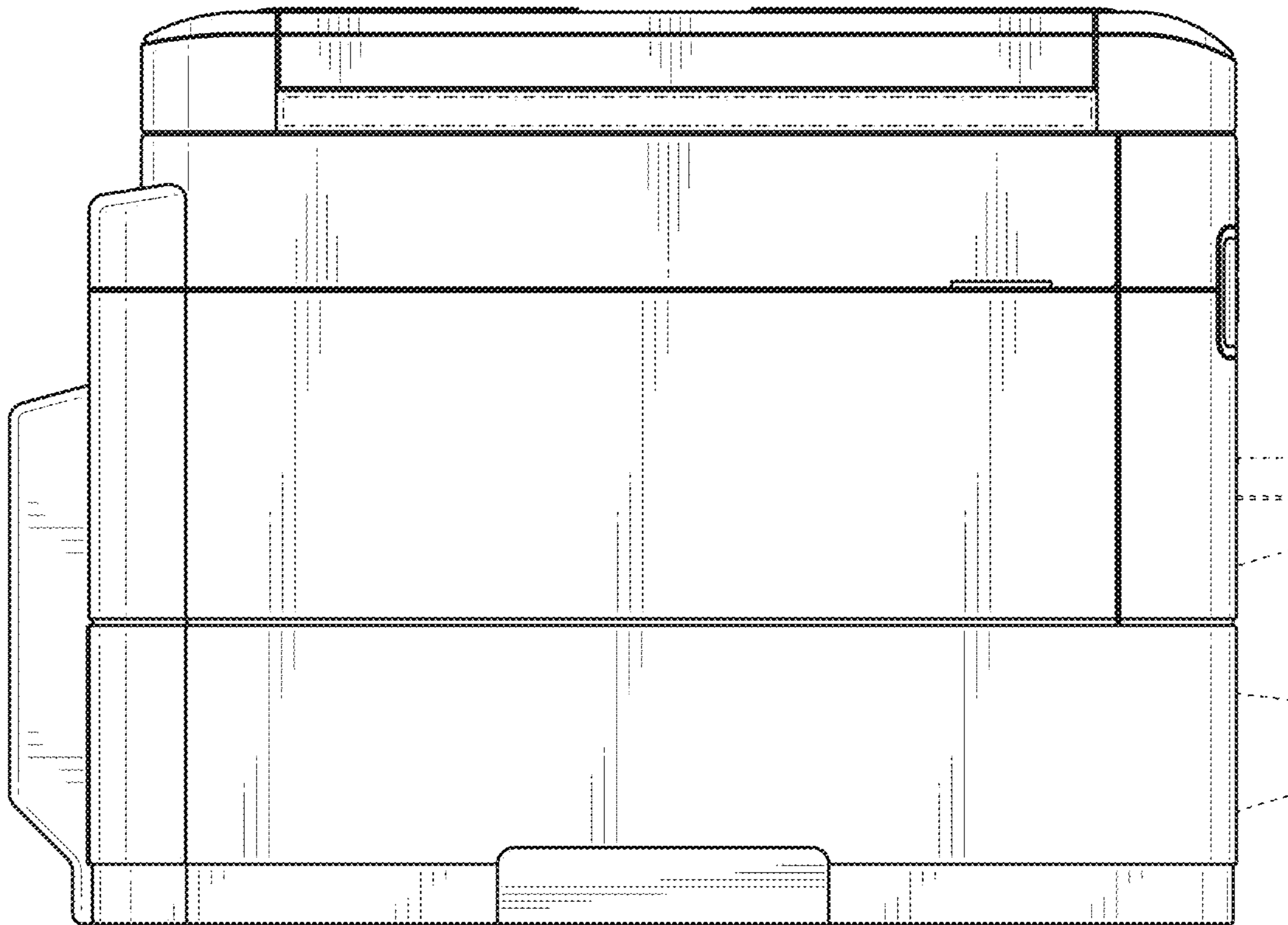


FIG. 4

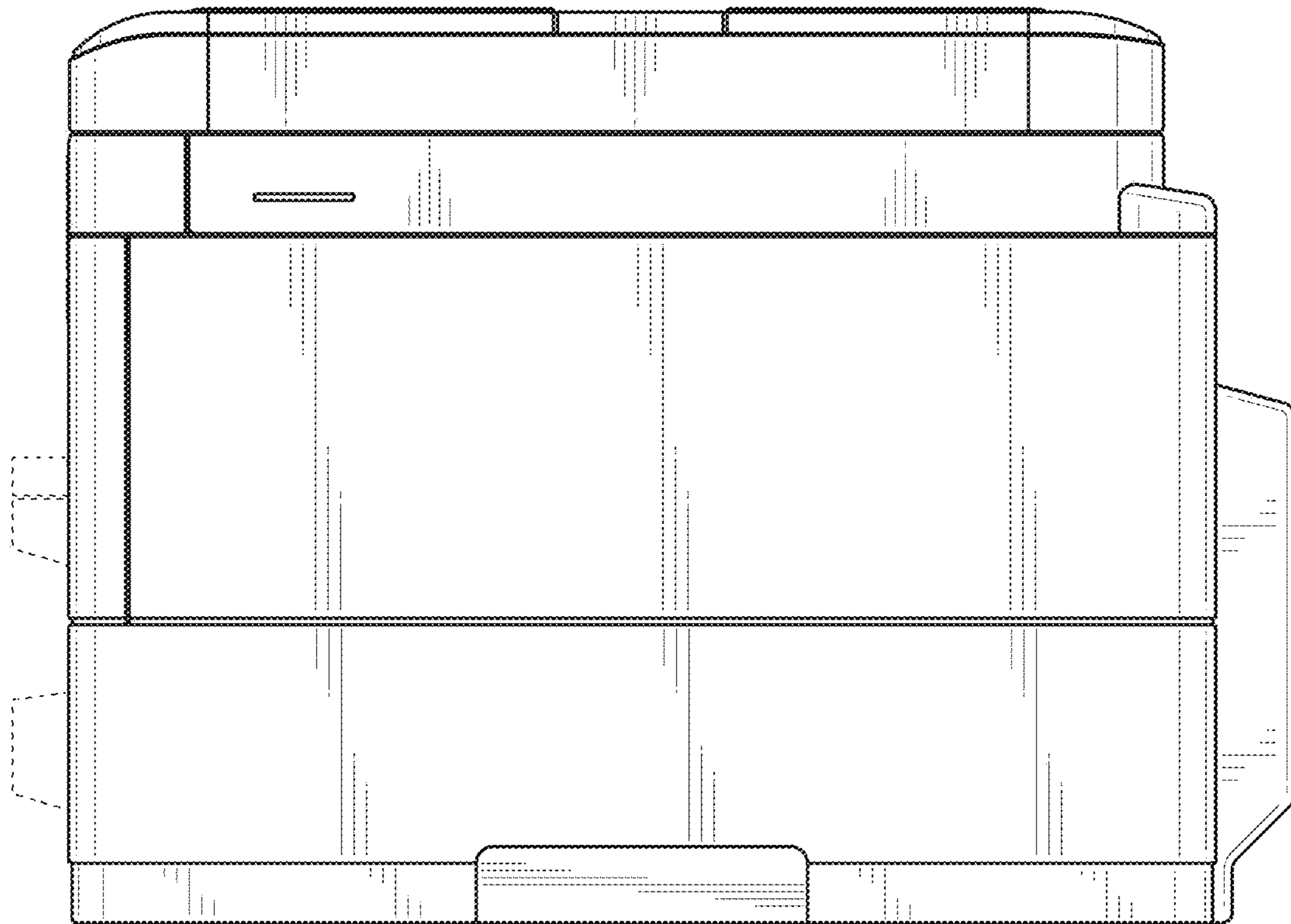


FIG. 5

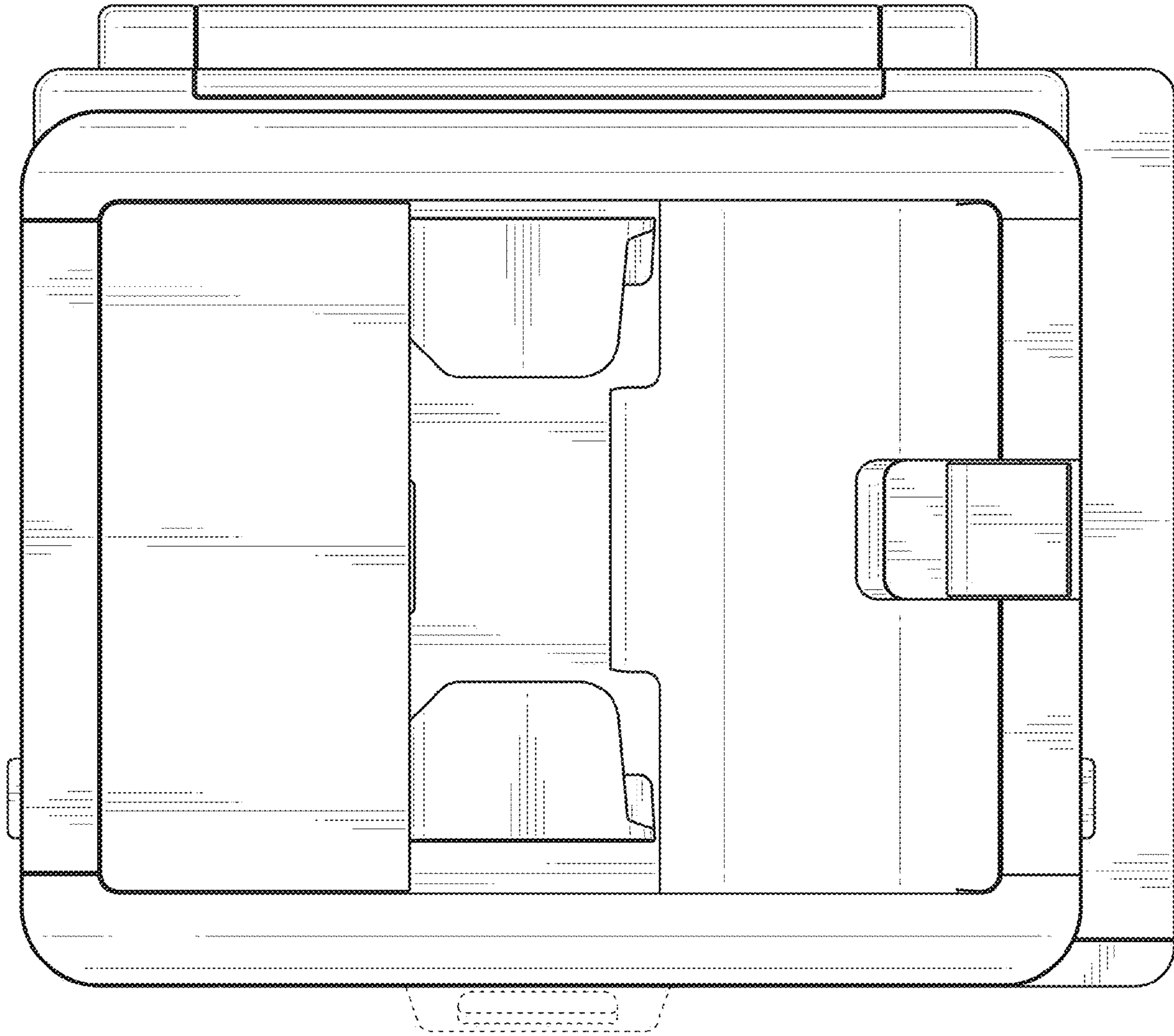


FIG. 6

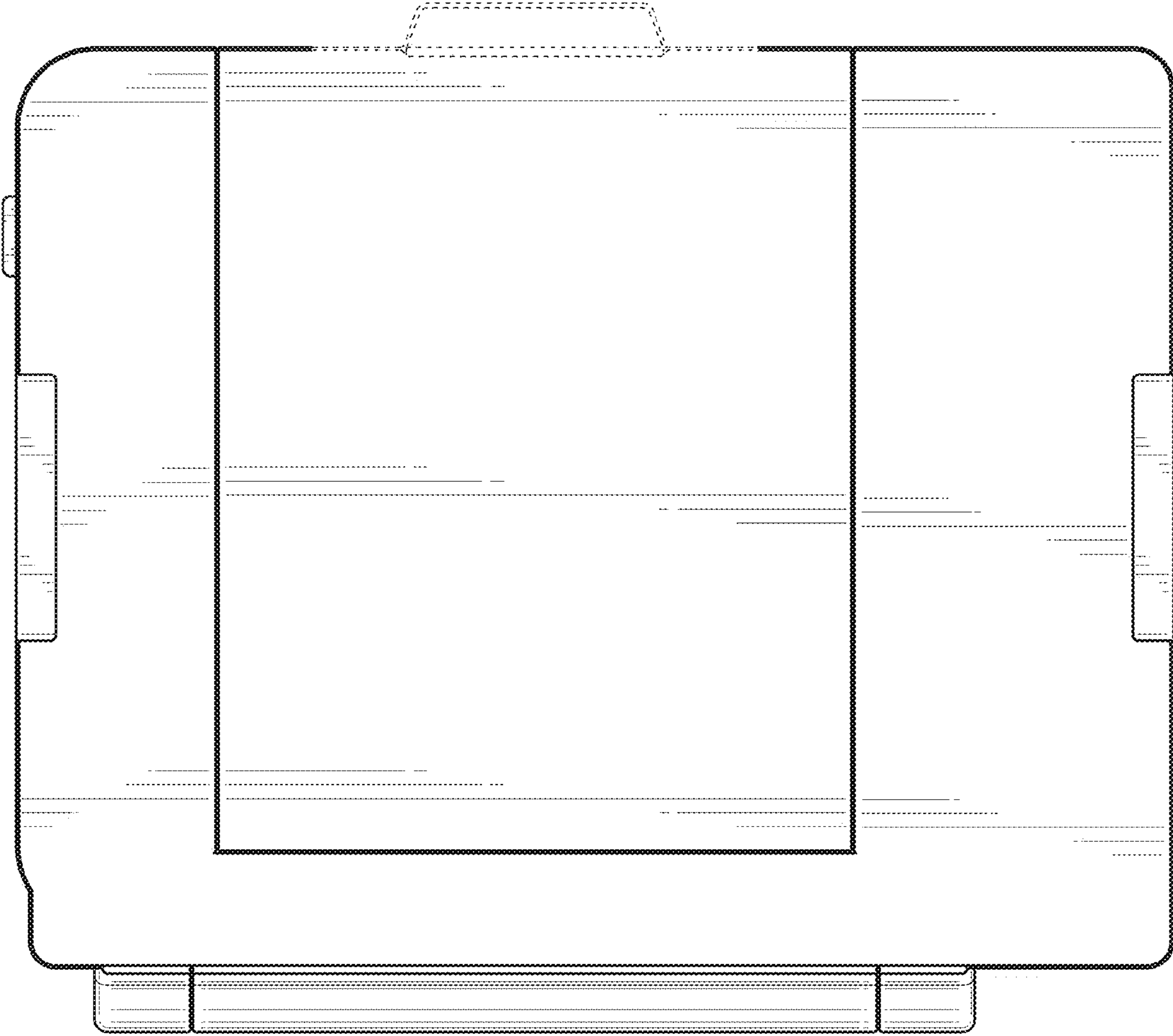


FIG. 7