



US00D955468S

(12) **United States Design Patent**
Kobayashi et al.

(10) **Patent No.:** **US D955,468 S**

(45) **Date of Patent:** **** *Jun. 21, 2022**

(54) **TONER CARTRIDGE**

1/001; B65H 5/02; G03G 15/08; G03G 15/0891; G03G 15/0875; G03G 2215/0827; G03G 2215/0855; G03G 21/1842; G03G 15/0872; G03G 15/0867; G03G 15/0889; G03G 21/1647

(71) Applicant: **FUJIFILM BUSINESS INNOVATION CORP.**, Tokyo (JP)

(72) Inventors: **Akihiro Kobayashi**, Yokohama (JP); **Takuji Matsumoto**, Yokohama (JP); **Kazuhiko Sakai**, Yokohama (JP)

See application file for complete search history.

(73) Assignee: **FUJIFILM Business Innovation Corp.**, Tokyo (JP)

(*) Notice: This patent is subject to a terminal disclaimer.

(**) Term: **15 Years**

(21) Appl. No.: **29/688,639**

(22) Filed: **Apr. 23, 2019**

(30) **Foreign Application Priority Data**

Dec. 18, 2018 (JP) 2018-027604

(51) **LOC (13) Cl.** **16-03**

(52) **U.S. Cl.**
USPC **D18/43**

(58) **Field of Classification Search**
USPC D15/122, 135-138, 141, 66, 73, 76-78, D15/146, 150, 143, 89; D18/53, 59, 50, D18/14, 19, 54-57, 36-45, 34.4, 34.5, D18/34.6, 18, 51, 34.1; D14/301-303, D14/307, 345, 420-425, 462; D6/691.4, D6/675, 708, 671, 520-523, 580; D34/35, 29, 1; D7/700, 554.3, 637; D3/304, 313; D9/424; D8/313, 314, D8/301, 380, 382, 358, 354; D10/119.1; D32/19, 25, 32, 21; D4/128, 102, 122; D25/157, 160, 162, 119; D19/1, 5, 113, D19/190, 191, 104, 107, 192, 202, 99, D19/100
CPC B41J 2/14; B41J 2/01; B41J 2/22; B41J 1/54; B41J 3/4073; B41J 3/4078; B41F 17/22; B41F 17/003; B41F 17/38; B28B

(56) **References Cited**

U.S. PATENT DOCUMENTS

D500,074 S *	12/2004	Naraoka	D18/43
D616,491 S *	5/2010	Yomoda	D18/43
D622,759 S *	8/2010	Yoshida	D18/43
D636,435 S *	4/2011	Naito	D18/43
D656,181 S *	3/2012	Kikuchi	D18/43
D689,129 S *	9/2013	Okino	D18/43

(Continued)

FOREIGN PATENT DOCUMENTS

DE 40500929-0001 * 10/2005

Primary Examiner — Leanne Was-Englehart

(74) *Attorney, Agent, or Firm* — Oliff PLC

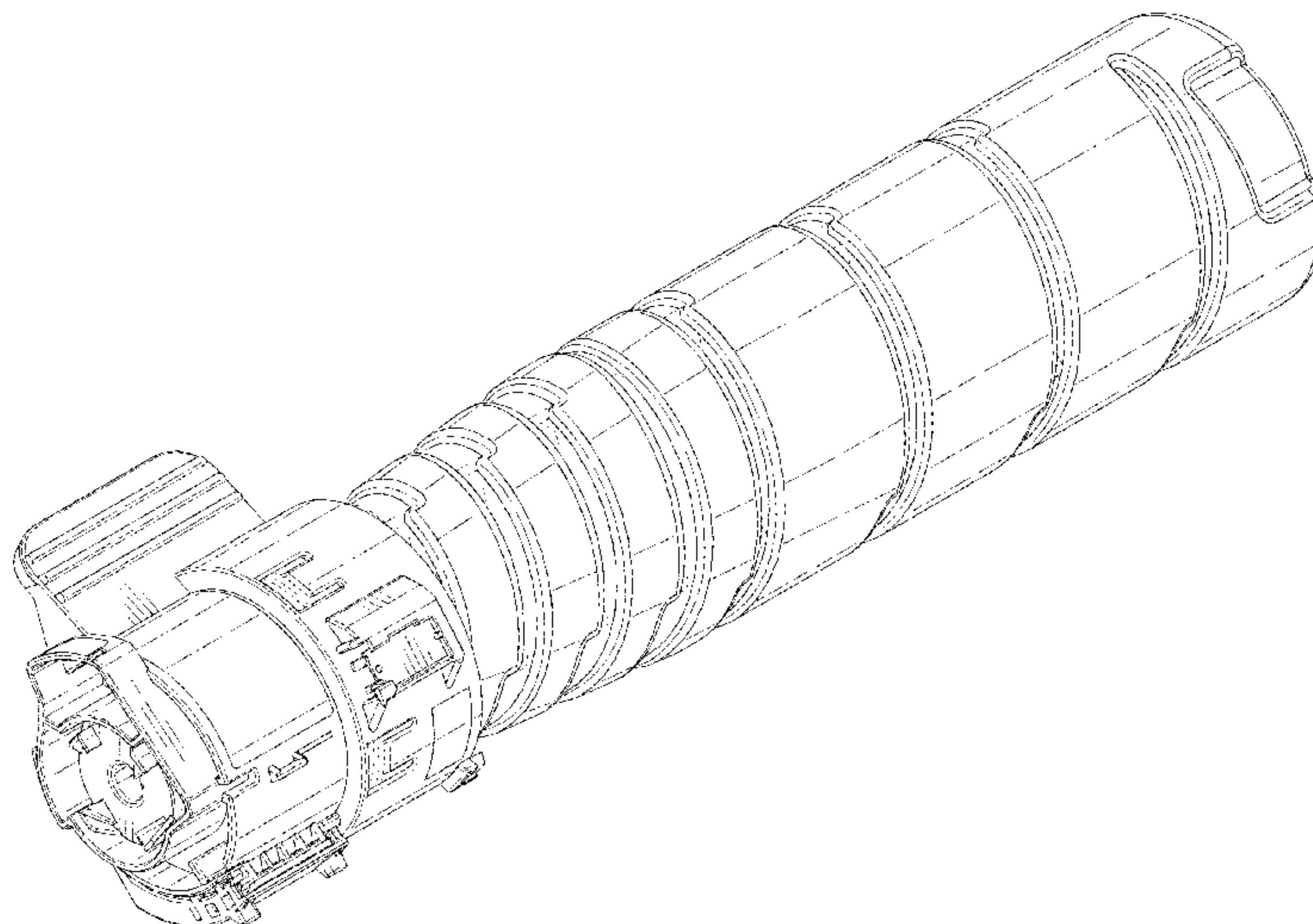
(57) **CLAIM**

The ornamental design for a toner cartridge, as shown and described.

DESCRIPTION

FIG. 1 is a front, left bottom perspective view of a toner cartridge showing our new design; FIG. 2 is a rear, left, top perspective view thereof; FIG. 3 is a front view thereof; FIG. 4 is a rear side view thereof; FIG. 5 is a left side view thereof; FIG. 6 is a right side view thereof; FIG. 7 is a top plan view thereof; and, FIG. 8 is a bottom plan view thereof. The broken lines depict portions of the toner cartridge that form no part of the claimed design.

1 Claim, 7 Drawing Sheets



(56)

References Cited

U.S. PATENT DOCUMENTS

D734,386 S * 7/2015 Kikuchi D18/43
9,639,028 B2 * 5/2017 Horii G03G 15/0872
D795,339 S * 8/2017 Kuboki D18/43
D816,153 S * 4/2018 Oizumi D18/43
D828,868 S * 9/2018 Kubo D18/43
D829,813 S * 10/2018 Kubo D18/43
D829,814 S * 10/2018 Kubo D18/43
D876,535 S * 2/2020 Uesugi D18/43
D879,194 S * 3/2020 Kikuchi D18/43
10,684,574 B1 * 6/2020 Kobayashi G03G 15/0881
D894,267 S * 8/2020 Ikeda D18/43
D896,883 S * 9/2020 Ohashi D18/43
D899,513 S * 10/2020 Ohashi D18/43
D908,169 S * 1/2021 Ikeda D18/43
11,048,183 B2 * 6/2021 Watanabe G03G 9/0825
D928,870 S * 8/2021 Kobayashi D18/43
D928,871 S * 8/2021 Kobayashi D18/43
11,106,148 B2 * 8/2021 Noguchi G03G 9/1139
2011/0222871 A1 * 9/2011 Suzuki G03G 15/0872
399/27
2018/0143565 A1 * 5/2018 Chuang G03G 15/0872
2018/0356750 A1 * 12/2018 Huang G03G 15/0886
2020/0073282 A1 * 3/2020 Sakai G03G 15/0872
2020/0081372 A1 * 3/2020 Kinoshita G03G 15/0867
2020/0096905 A1 * 3/2020 Kobayashi G03G 15/0867
2020/0310286 A1 * 10/2020 Kanno G03G 15/0863

* cited by examiner

FIG. 1

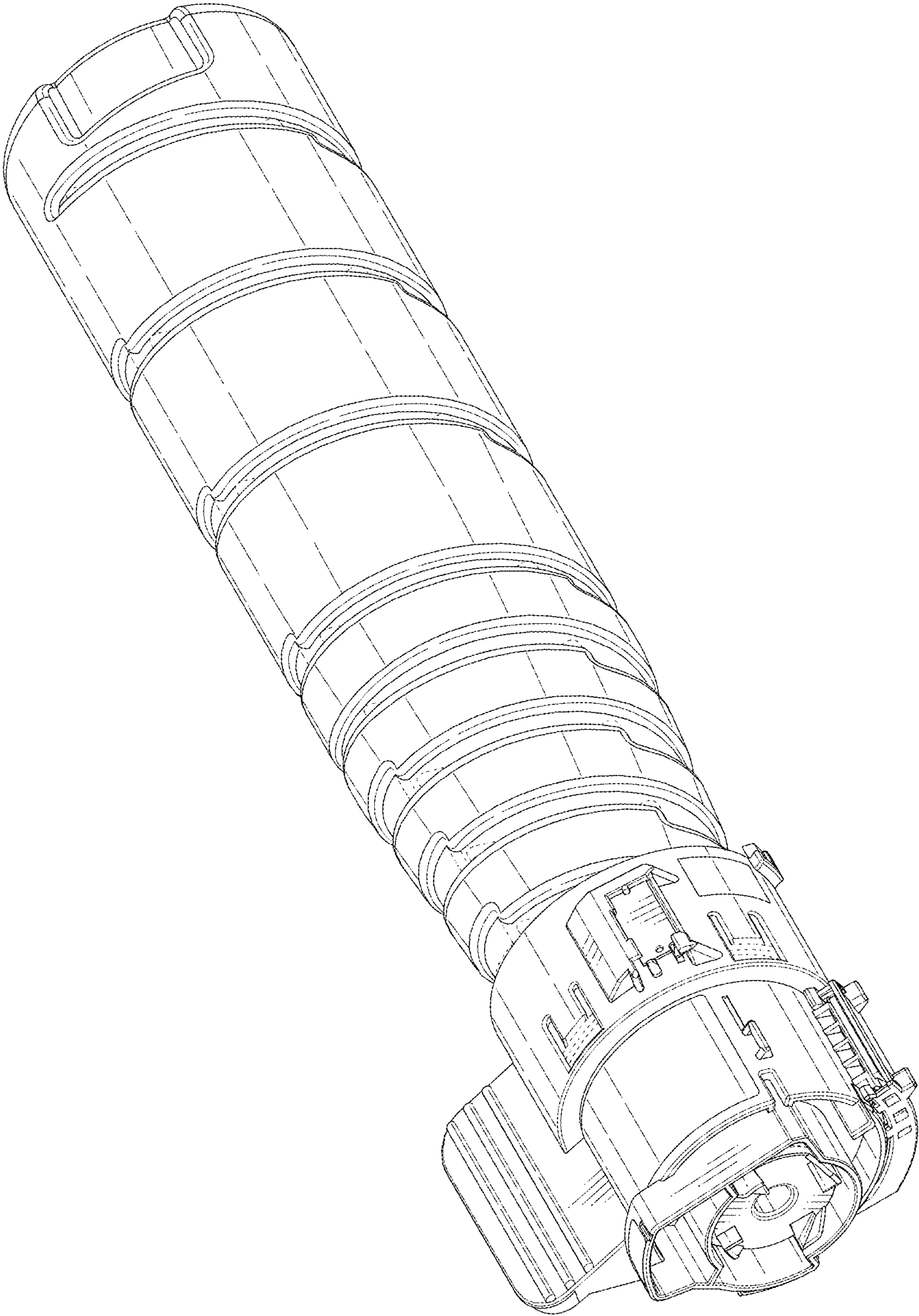


FIG. 2

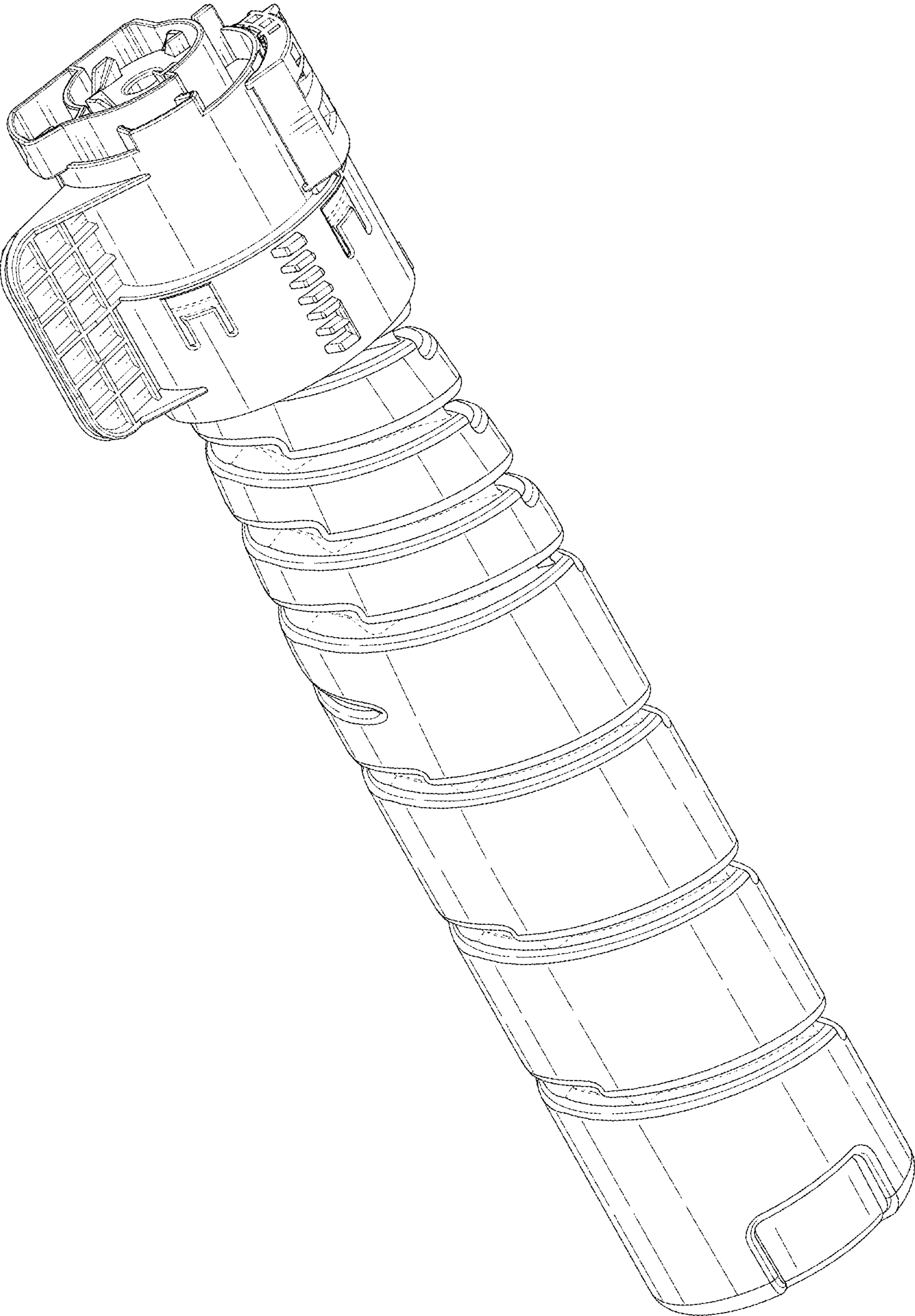


FIG. 3

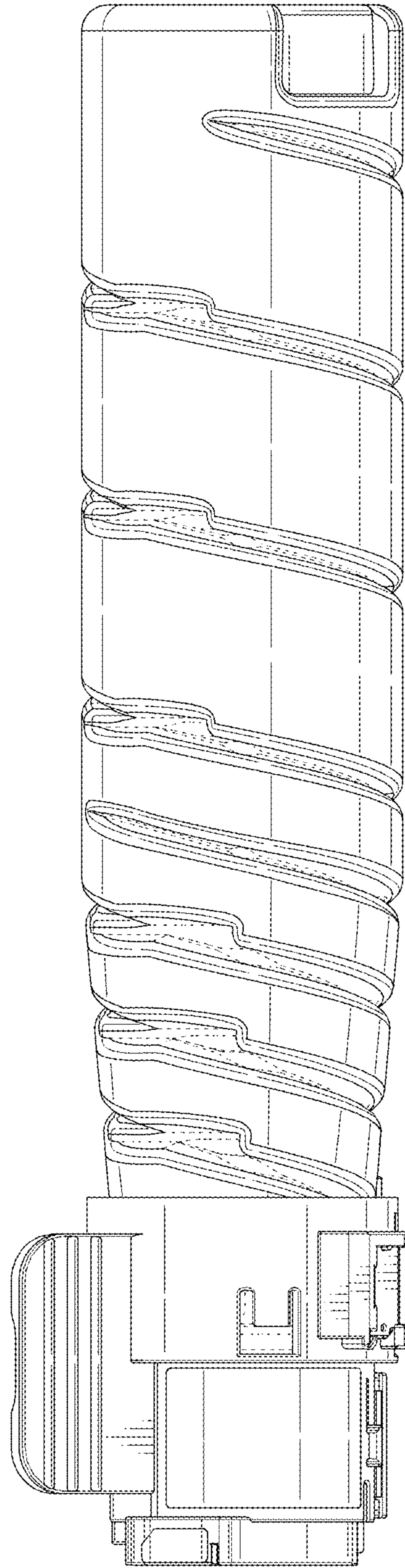


FIG. 4

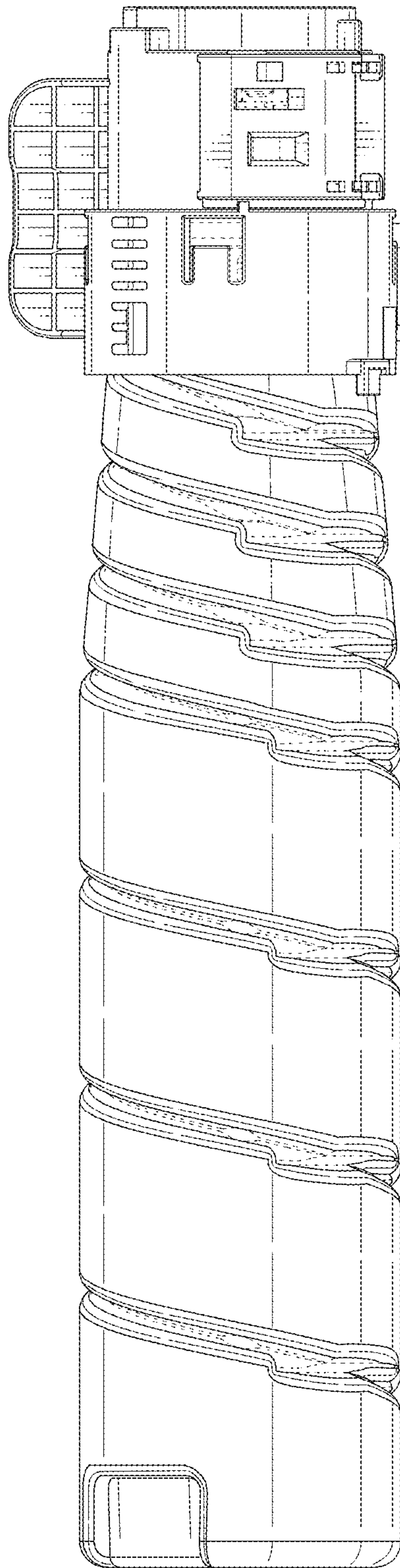


FIG. 6

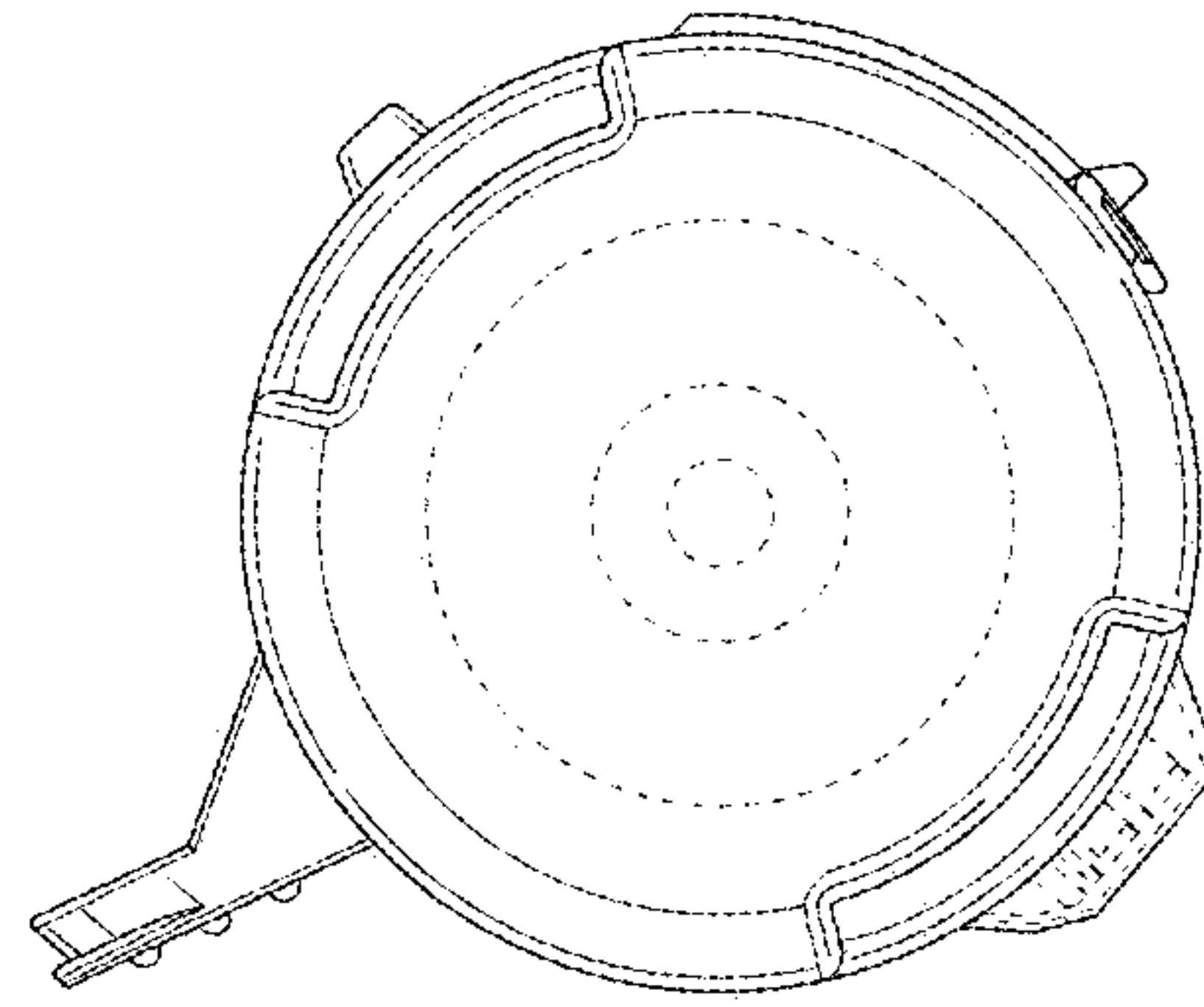


FIG. 5

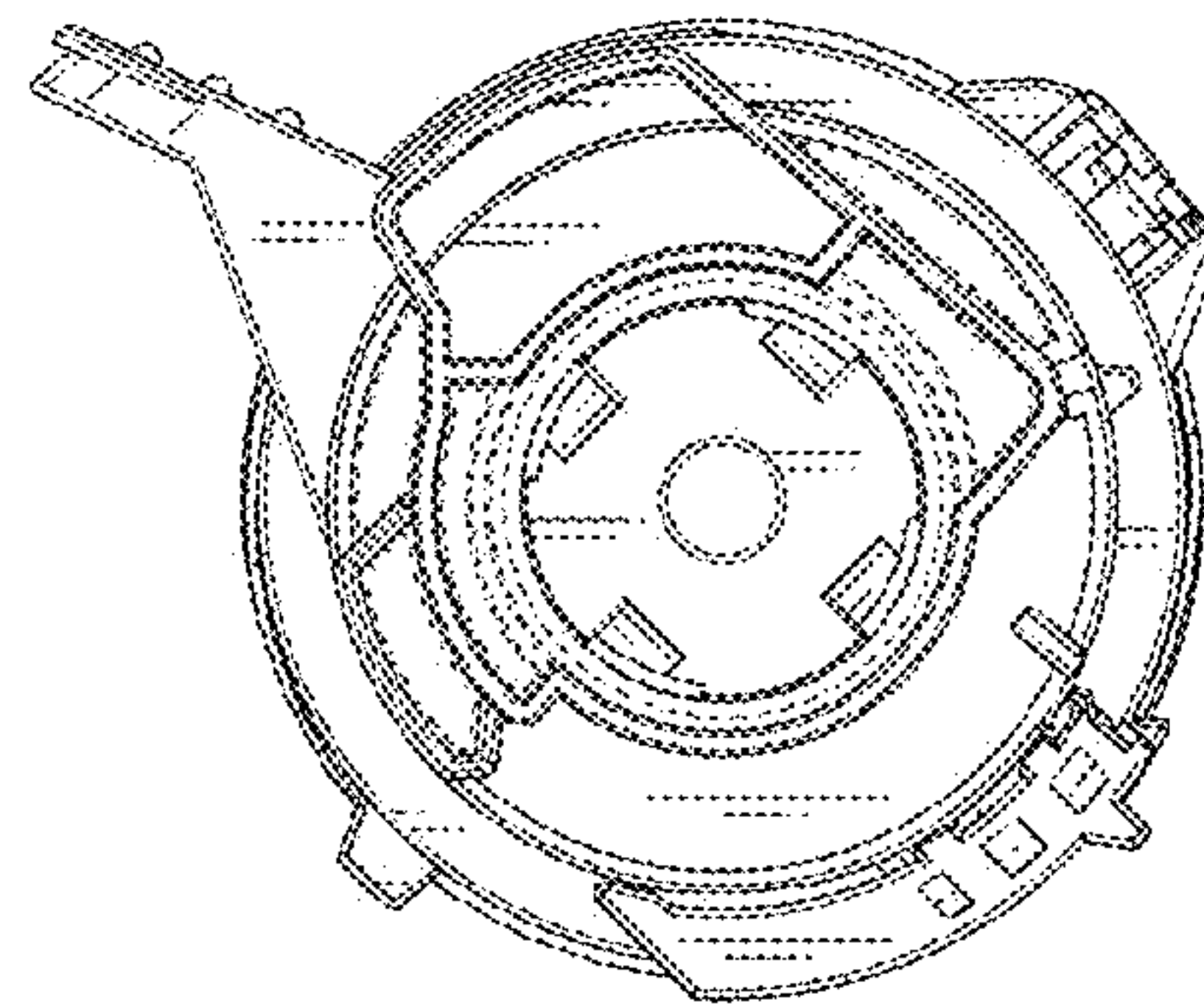


FIG. 7

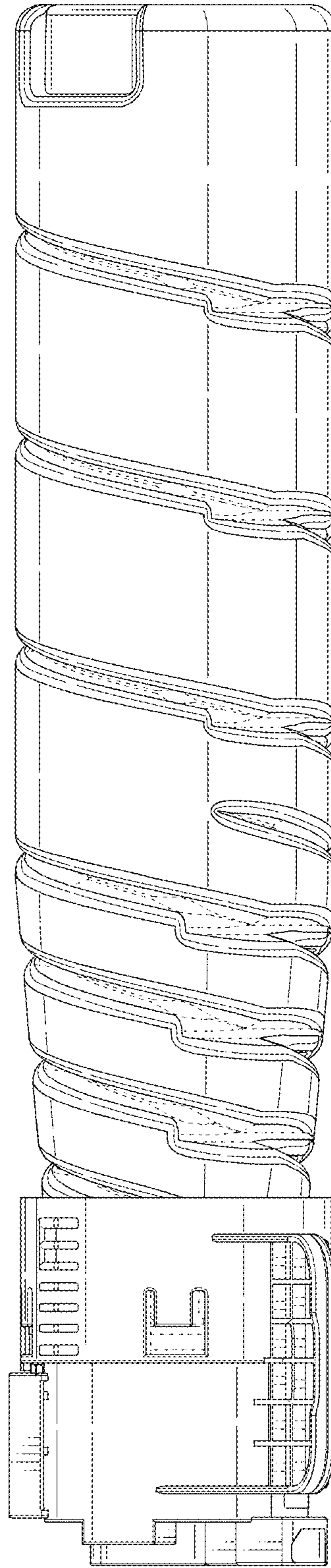


FIG. 8

