



US00D955466S

(12) **United States Design Patent**
Wada et al.

(10) **Patent No.:** **US D955,466 S**
(45) **Date of Patent:** **** Jun. 21, 2022**

(54) **ELECTRONIC DEVICE MOUNT**

(71) Applicant: **Garmin Switzerland GmbH**,
Schaffhausen (CH)
(72) Inventors: **Larrin Wada**, Olathe, KS (US); **Oscar E. Garcia**, Overland Park, KS (US);
Aaron M. Schmitz, Kansas City, MO (US)

(73) Assignee: **Garmin Switzerland GmbH**

(**) Term: **15 Years**

(21) Appl. No.: **29/754,506**

(22) Filed: **Oct. 12, 2020**

(51) **LOC (13) Cl.** **16-05**

(52) **U.S. Cl.**
USPC **D16/244**

(58) **Field of Classification Search**
USPC D16/243, 244
CPC F16M 11/00; F16M 11/20-425; F16M 2200/00-08

See application file for complete search history.

(56) **References Cited**

U.S. PATENT DOCUMENTS

3,300,165	A *	1/1967	O’Kane	F16M 11/38
					248/168
6,877,915	B1 *	4/2005	Wei	F16M 11/32
					348/373
D532,436	S *	11/2006	Kruse	D16/244
D533,578	S *	12/2006	Oka	D16/244
D739,456	S *	9/2015	Poli	D16/244
D741,397	S *	10/2015	Minn	F16M 11/38
					D16/244
D778,975	S *	2/2017	Minn	D16/242
D835,705	S *	12/2018	Chun	D16/244
10,386,012	B2 *	8/2019	Balmer	F16M 11/24
D918,286	S *	5/2021	Lin	F16M 11/32
					D16/244

OTHER PUBLICATIONS

Printout from <https://www.amazon.com/JJC-Tabletop-Panasonic-LX100II-Fujifilm/dp/B07JMY1RTV/> published prior to Oct. 12, 2020.
Printout from <https://www.amazon.com/Manfrotto-PIXI-Tripod-Black-MTPIXI-B/dp/B00D76RNLS/> published prior to Oct. 12, 2020.
Printout from <https://www.amazon.com/NexiGo-Lightweight-Extendable-Compatible-Streaming/dp/B08NF4C3R1/> published prior to Oct. 12, 2020.

(Continued)

Primary Examiner — Antoine Duval Davis
(74) *Attorney, Agent, or Firm* — Samuel M. Korte; Max M. Ali

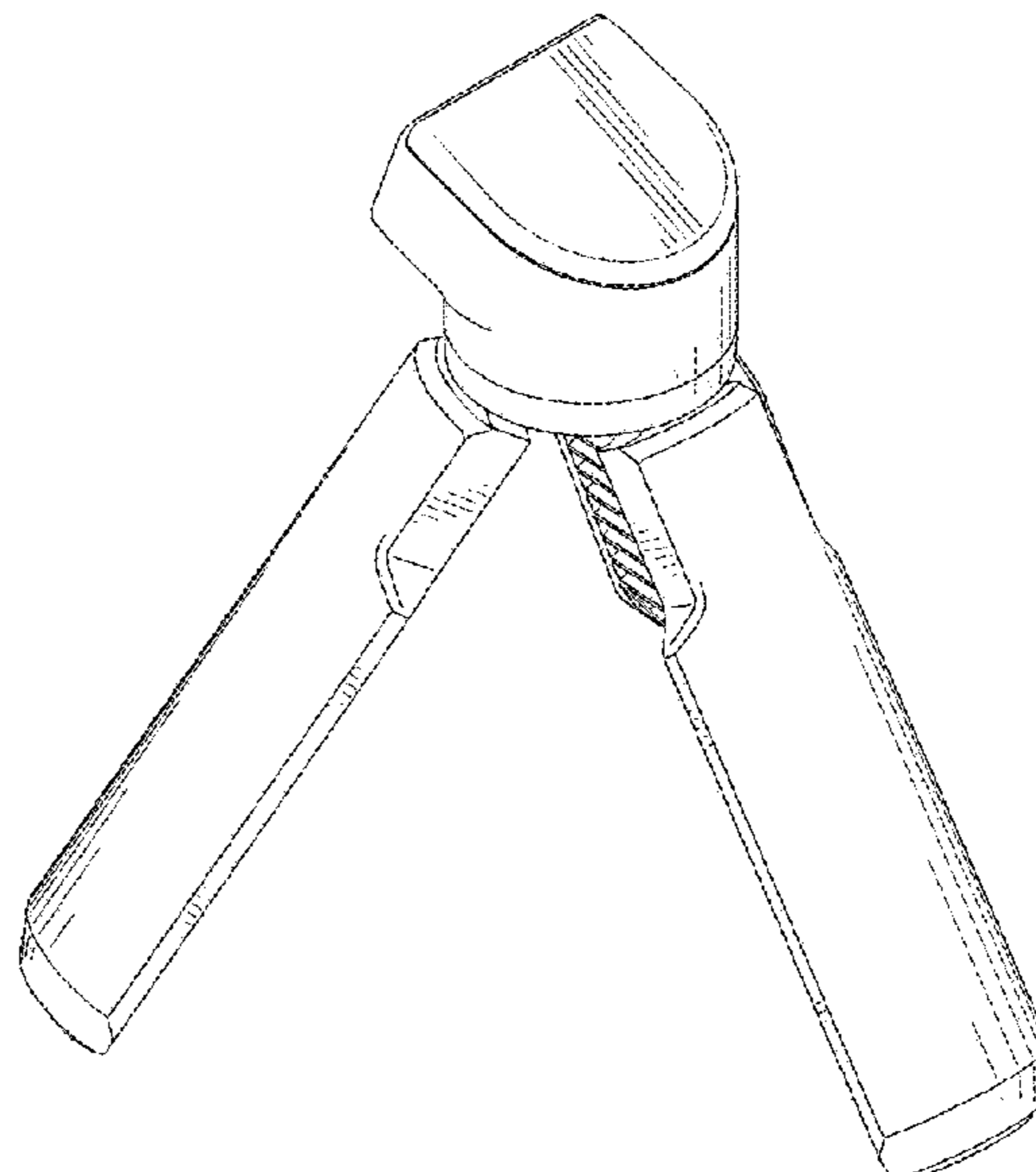
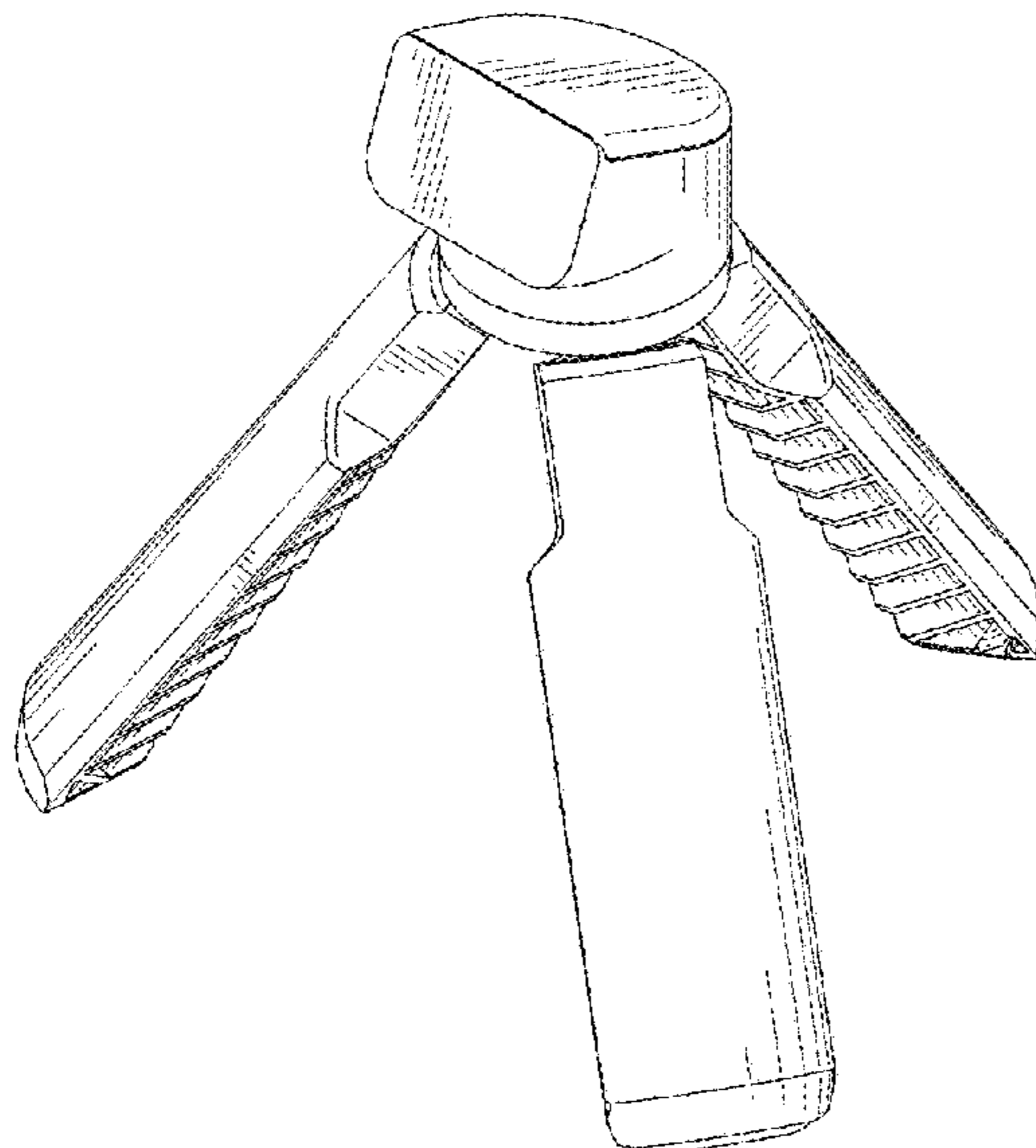
(57) **CLAIM**

The ornamental design for an electronic device mount, as shown and described.

DESCRIPTION

FIG. 1 is a front perspective view of an electronic device mount according to the present invention; FIG. 2 is a rear perspective view of the electronic device mount; FIG. 3 is a front view of the electronic device mount; FIG. 4 is a rear view of the electronic device mount; FIG. 5 is a left side view of the electronic device mount; FIG. 6 is a right side view of the electronic device mount; FIG. 7 is a top view of the electronic device mount; and, FIG. 8 is a bottom view of the electronic device mount. The broken lines shown in the drawings represent portions of the electronic device mount that form no part of the claimed design.

1 Claim, 4 Drawing Sheets



(56)

References Cited

OTHER PUBLICATIONS

Printout from <https://www.amazon.com/Ritz-Gear-Folding-Tabletop-Tripod/dp/B07CHZCVBM/> published prior to Oct. 12, 2020.

Printout from <https://www.digitalcameraworld.com/buying-guides/the-best-mini-tripods-tabletop-camera-supports-thatll-fit-in-any-size-kit-bag> published prior to Oct. 12, 2020.

* cited by examiner

Fig. 1

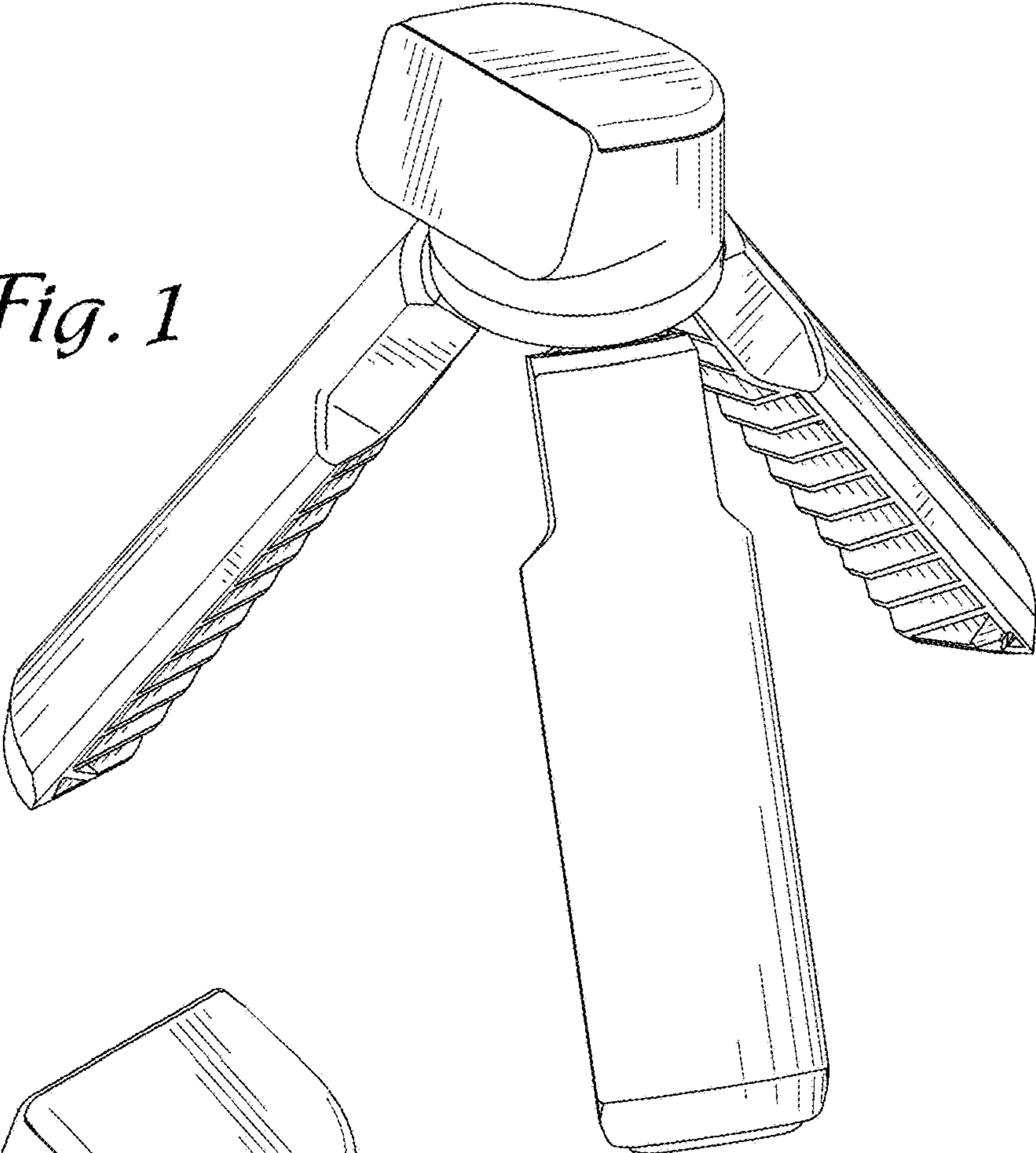
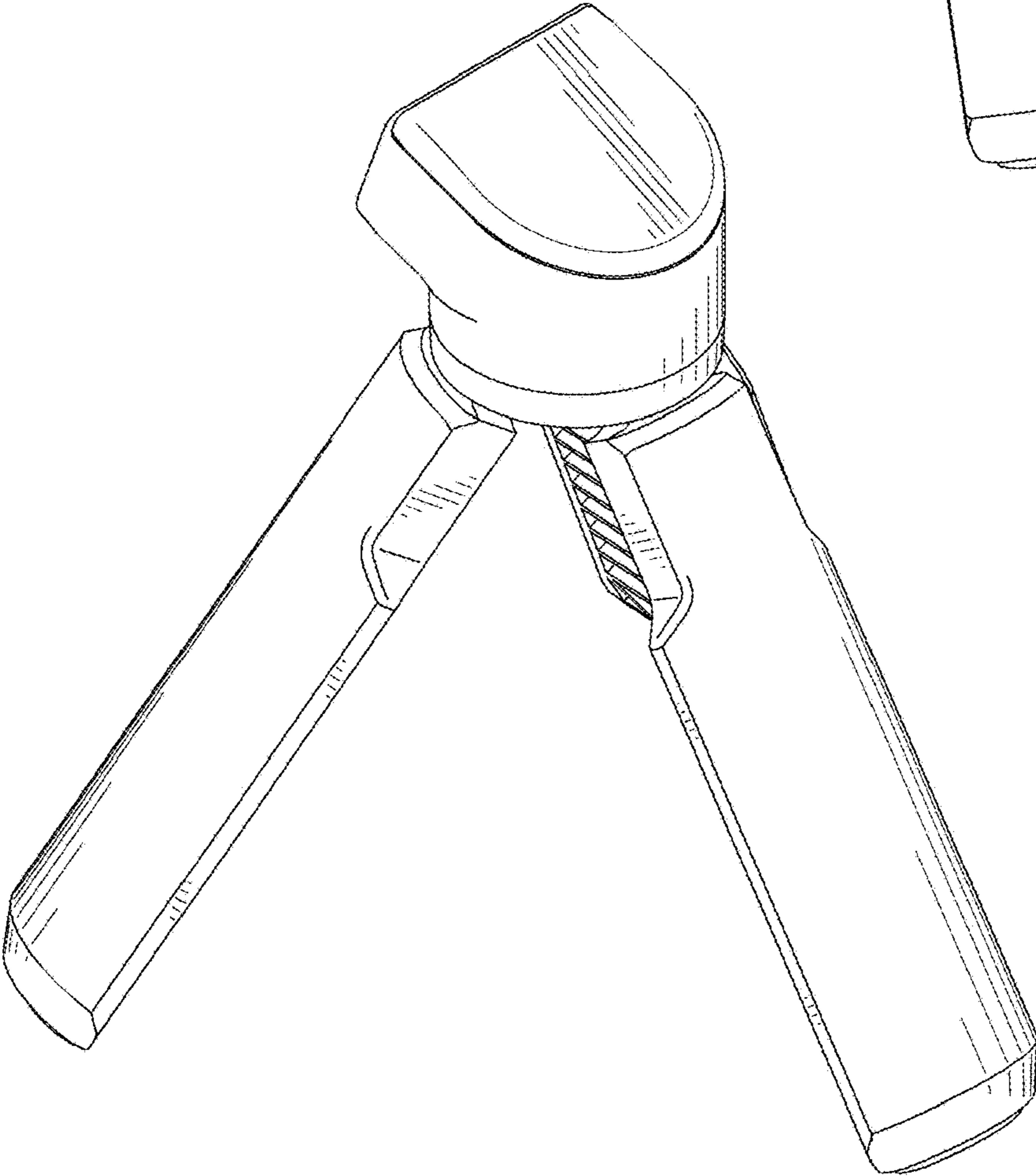


Fig. 2



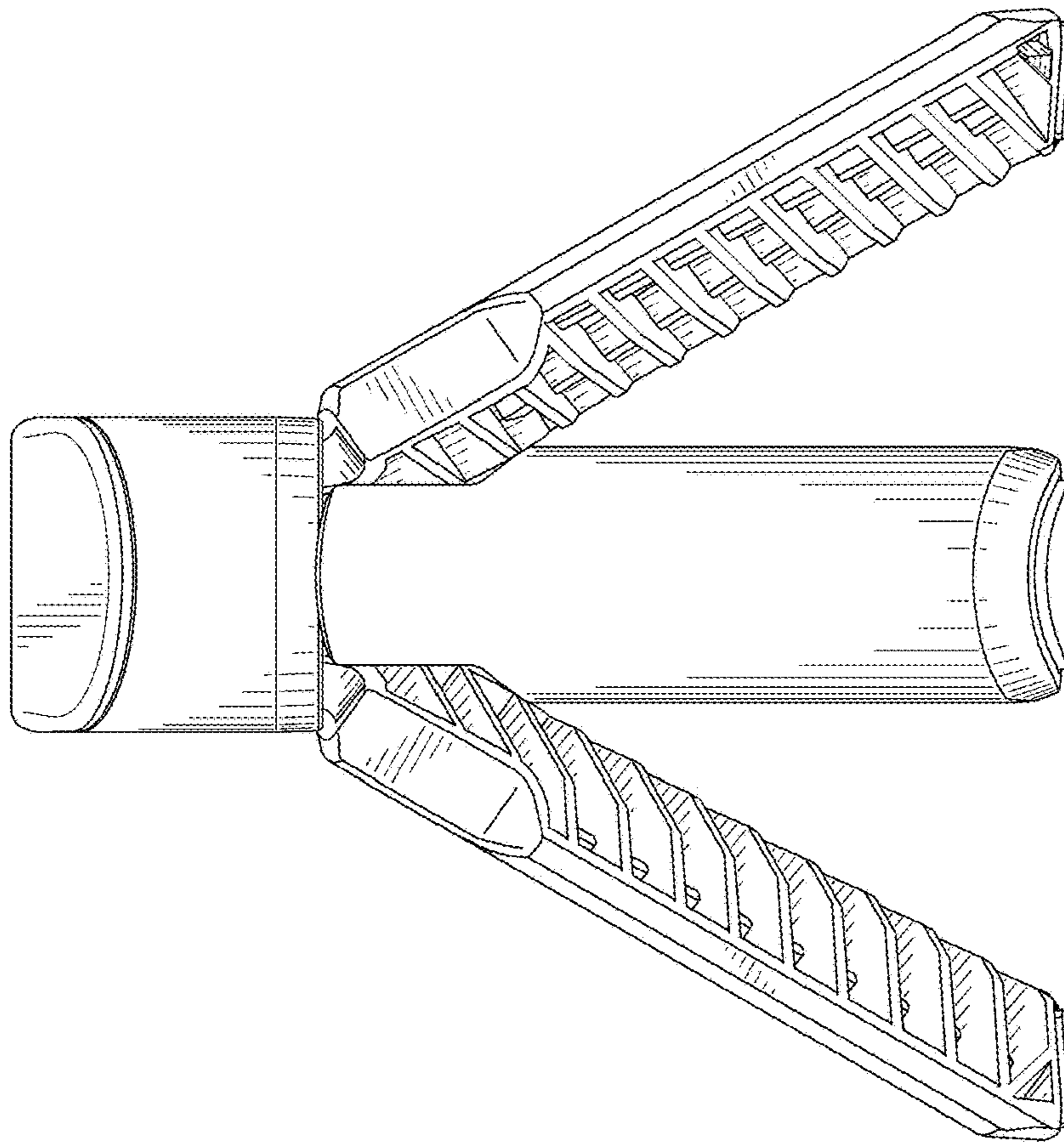


Fig. 4

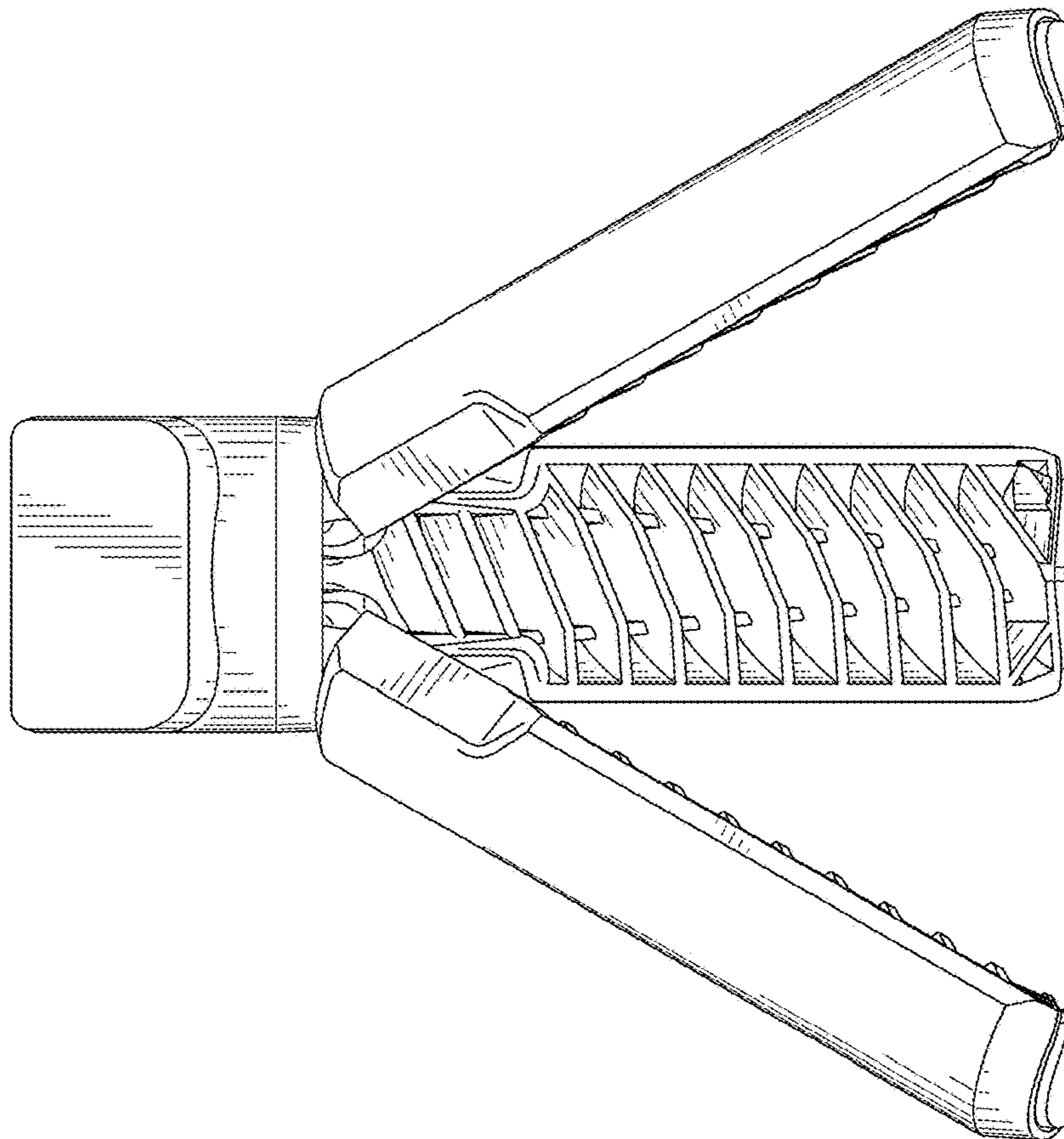


Fig. 3

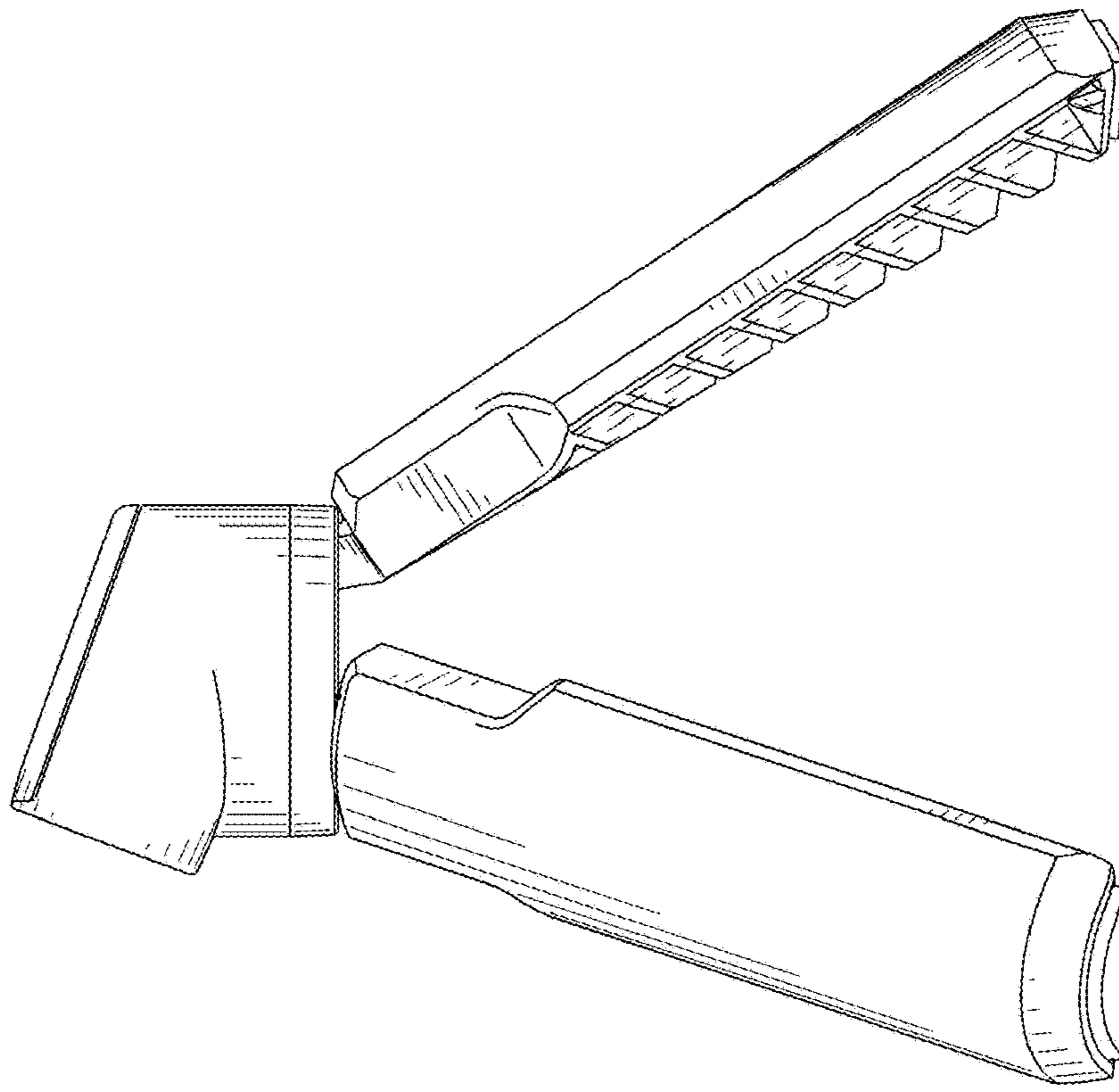


Fig. 6

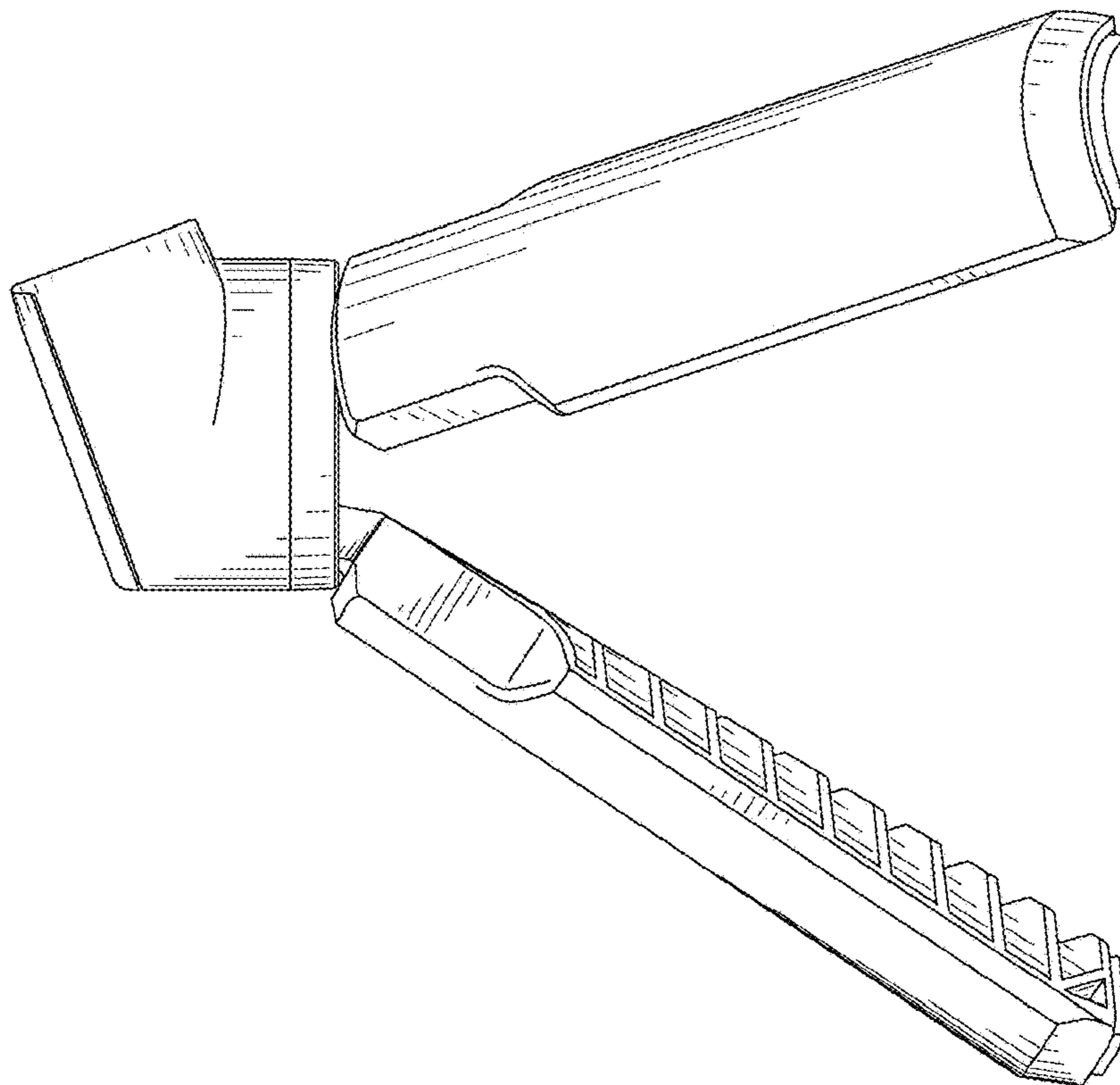


Fig. 5

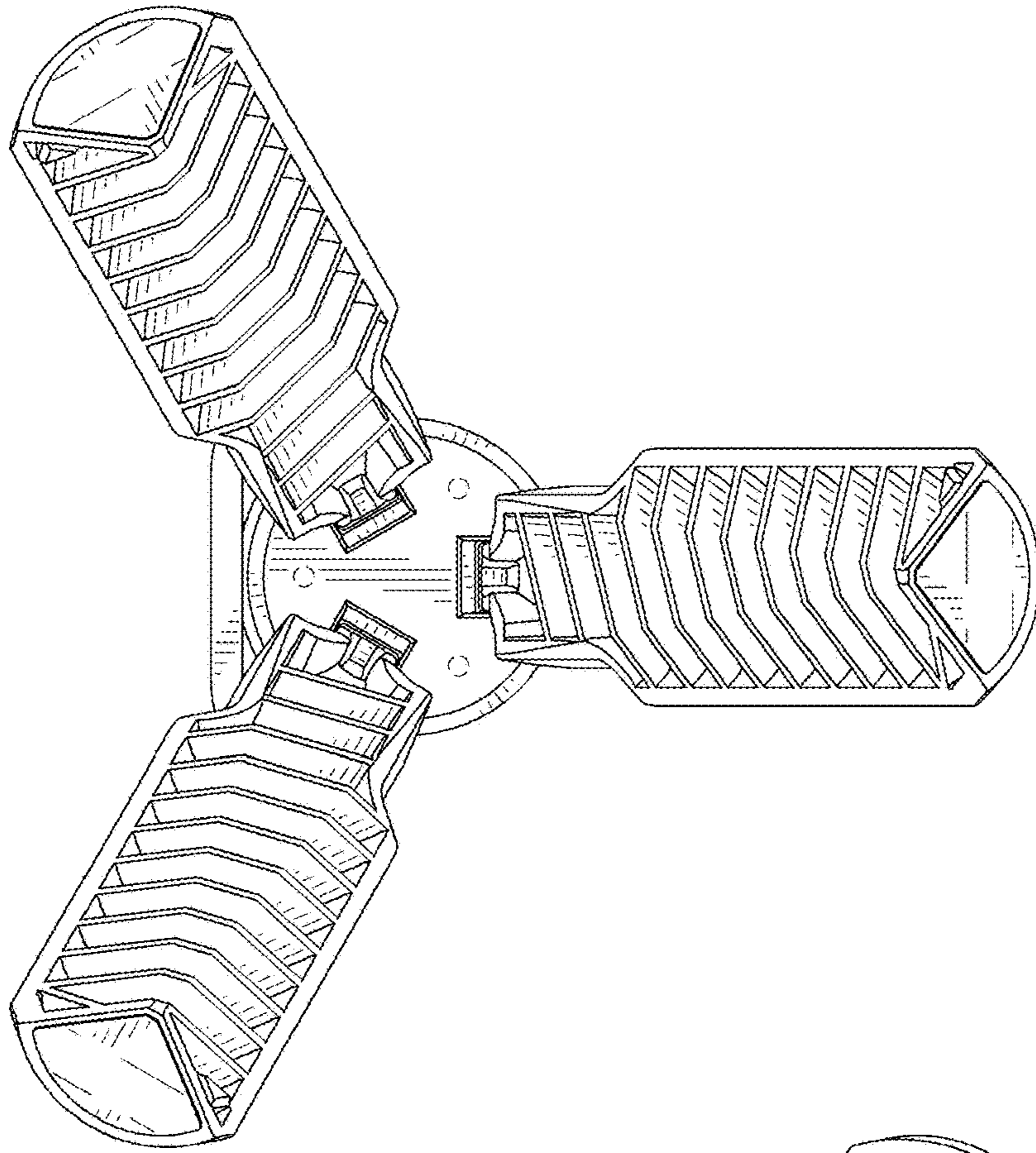


Fig. 8

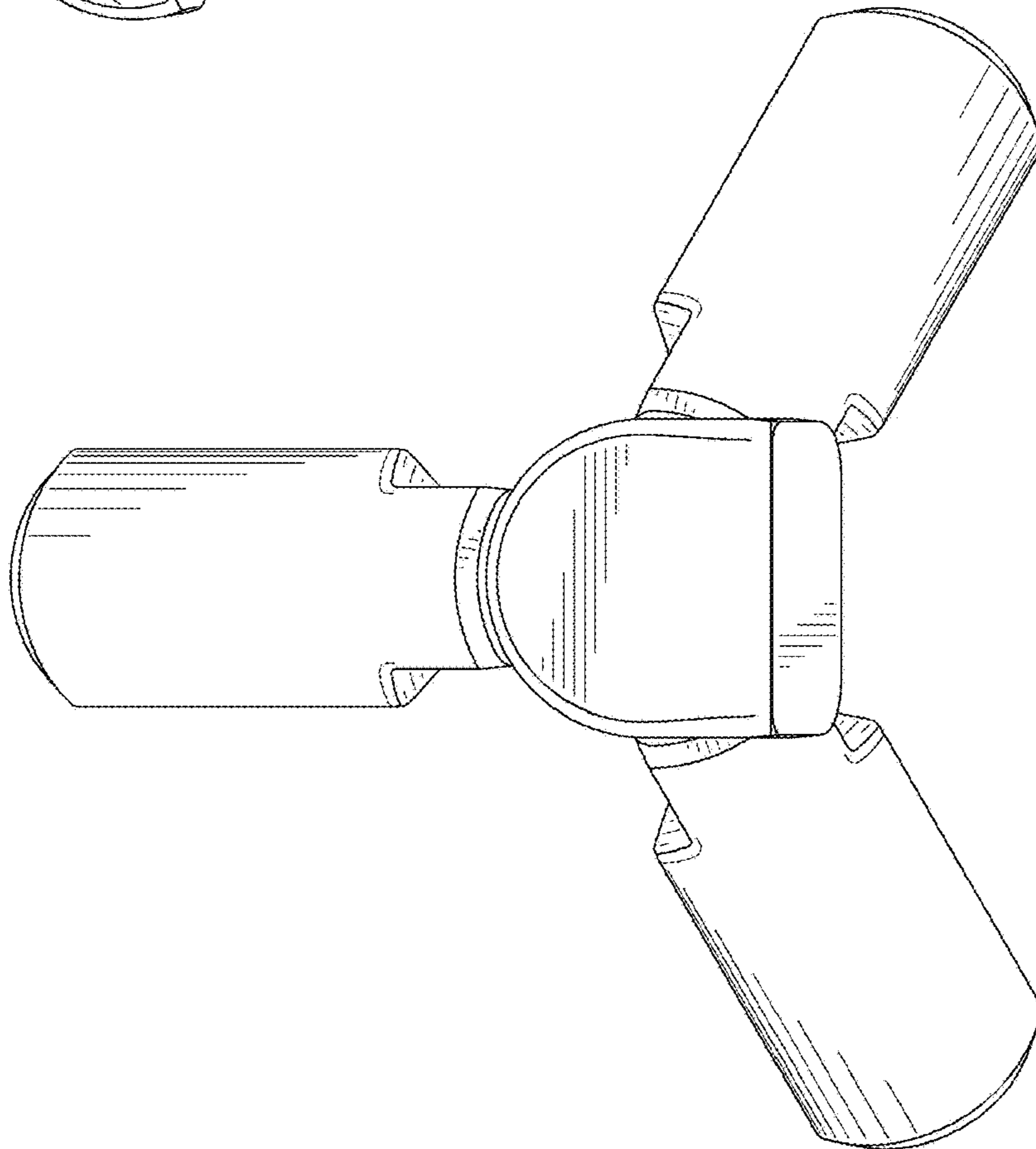


Fig. 7