



US00D955465S

(12) **United States Design Patent**
Rong

(10) **Patent No.:** **US D955,465 S**
(45) **Date of Patent:** **** Jun. 21, 2022**

(54) **PROJECTOR SCREEN**
(71) Applicant: **Zhijun Rong**, Guangdong (CN)
(72) Inventor: **Zhijun Rong**, Guangdong (CN)
(73) Assignee: **Shenzhen Century-star Audio & Visual Co., Ltd**, Shenzhen (CN)
(**) Term: **15 Years**
(21) Appl. No.: **29/699,504**
(22) Filed: **Jul. 26, 2019**
(51) **LOC (13) Cl.** **16-05**
(52) **U.S. Cl.**
USPC **D16/241**
(58) **Field of Classification Search**
USPC D16/208–209, 219, 237–250; D8/354, D8/355, 363, 373, 382–383, 394–396; D14/224, 229, 238, 251, 253, 447, 451, D14/457
CPC .. F16M 11/14; G02B 7/00–002; G03B 17/56; G03B 17/561–566; H04N 5/2253–2254; A45F 5/00; A45F 2200/0508–0533
See application file for complete search history.

(56) **References Cited**

U.S. PATENT DOCUMENTS

1,662,586 A * 3/1928 Newman G03B 21/58
160/351
2,534,552 A * 12/1950 Heck G03B 21/58
160/24
2,793,764 A * 5/1957 Stork A47F 7/24
403/230
3,002,557 A * 10/1961 Roth G03B 21/58
160/381
3,041,032 A * 6/1962 Wilcox G03B 21/58
359/443

3,583,466 A * 6/1971 Dreyer G03B 21/58
160/381
8,376,581 B2 * 2/2013 Auld G09F 11/30
345/55
D684,209 S * 6/2013 Measom D16/241
9,051,751 B2 * 6/2015 Ogilvie E04H 15/005
D806,664 S * 1/2018 Cho D14/129
D823,824 S * 7/2018 Won D14/126
D866,201 S * 11/2019 Ogilvie D6/332
D898,106 S * 10/2020 Zhao D16/241
D905,649 S * 12/2020 Kim D14/126
2005/0200951 A1 * 9/2005 Redmon G09F 19/18
359/443
2010/0079860 A1 * 4/2010 Unno G03B 21/58
359/443
2020/0292930 A1 * 9/2020 Long G03B 21/58

OTHER PUBLICATIONS

Portable Freestanding Front Projector Screen w/ Legs 120" 16:9. [online] Retrieved Mar. 23, 2021 from URL: <https://thedisplayoutlet.com/products/portable-freestanding-front-projector-screen-w-legs-120-16-9> (Year: 2021).*

(Continued)

Primary Examiner — Vy N Koenig

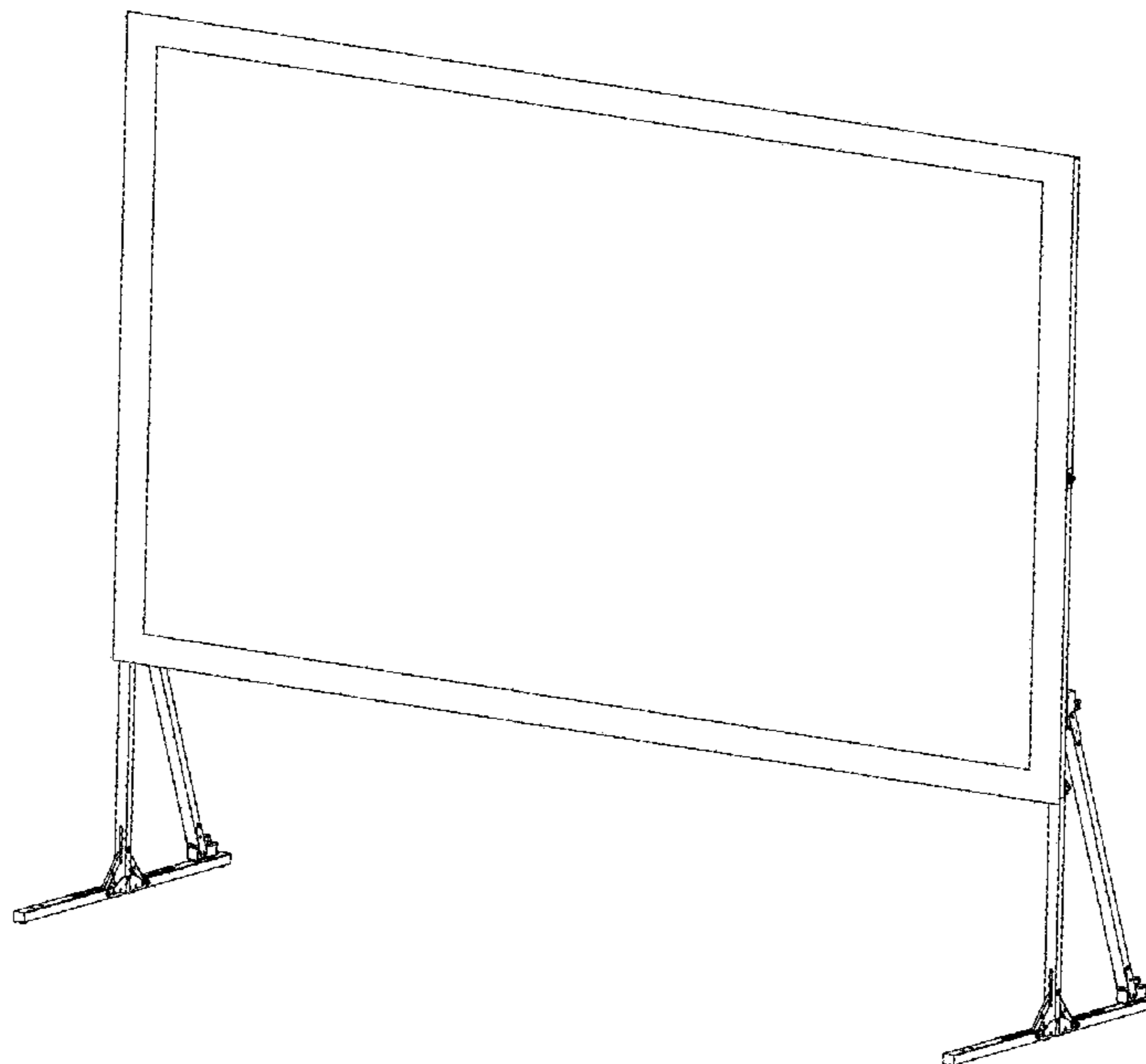
(57) **CLAIM**

The ornamental design for a projector screen, as shown and described.

DESCRIPTION

FIG. 1 is a perspective view of a projector screen showing my new design;
FIG. 2 is a front elevational view thereof;
FIG. 3 is a side elevational view thereof, the opposite side being a mirror image thereof; and,
FIG. 4 is a top plan view thereof.

1 Claim, 4 Drawing Sheets



(56)

References Cited

OTHER PUBLICATIONS

SCREENPRO Projector Screen with Stand Adjustable Legs (Max 46.9") . . . [online] First available May 9, 2019 from URL: <https://www.amazon.com/SCREENPRO-Portable-Projector-Screen-Fast-Folding/dp/B07RR1YWFX> (Year: 2019).*

Elite Screens Yard Master 2. [online] First available Aug. 5, 2014. Retrieved from URL: https://www.amazon.com/Elite-Screens-Master-Outdoor-Projector/dp/B00MAPCZEM/ref=psdc_1286610011_t3_B07RR1YWFX (Year: 2014).*

Akia Screens 145 inch Indoor Outdoor Portable Projector Screen with Stand and Bag . . . [online] First available Sep. 16, 2018. Retrieved from URL: <https://www.amazon.com/Akia-Screens-Outdoor-Portable-Projector/dp/B07HF1GBGX> (Year: 2018).*

* cited by examiner

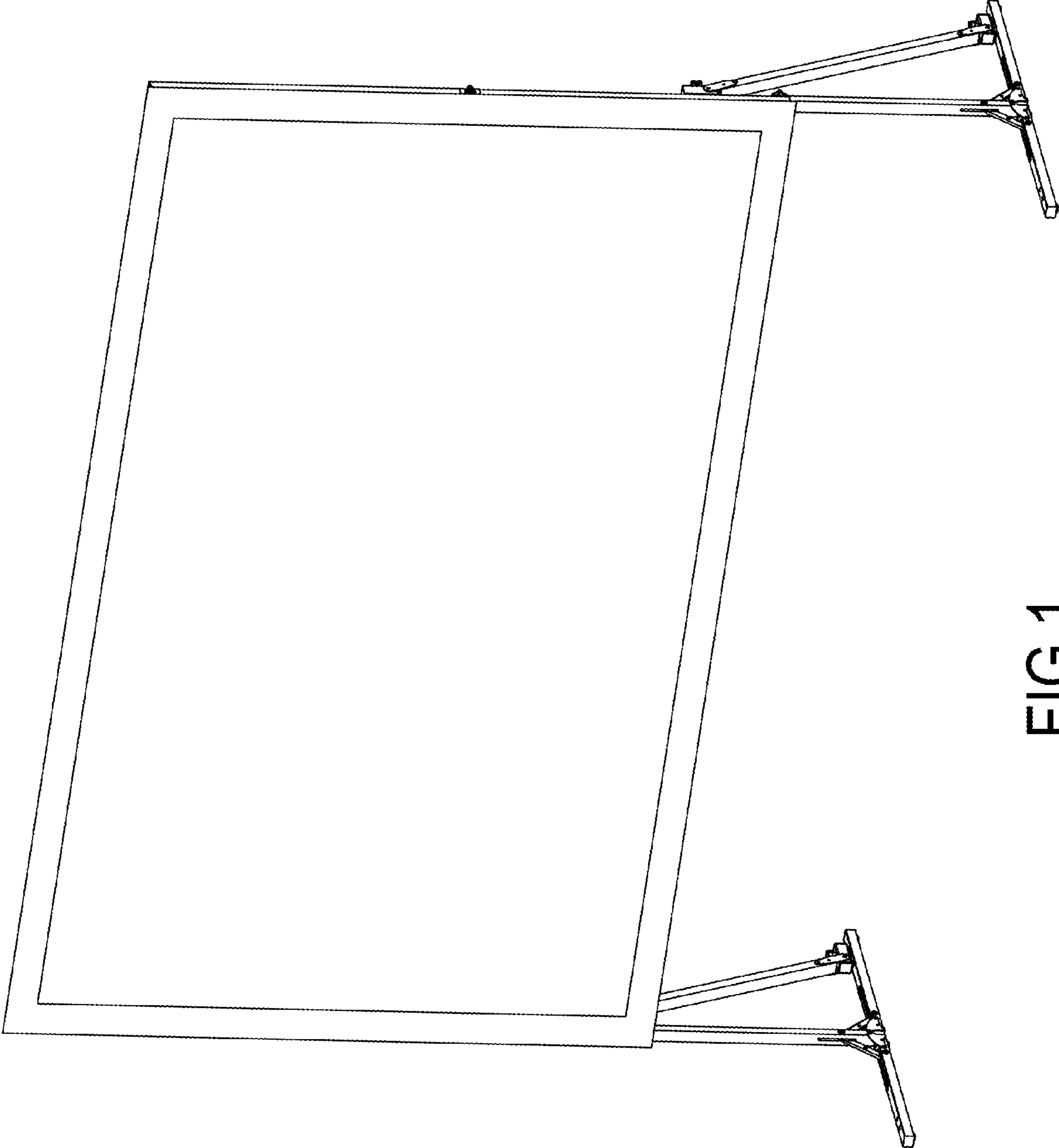


FIG.1

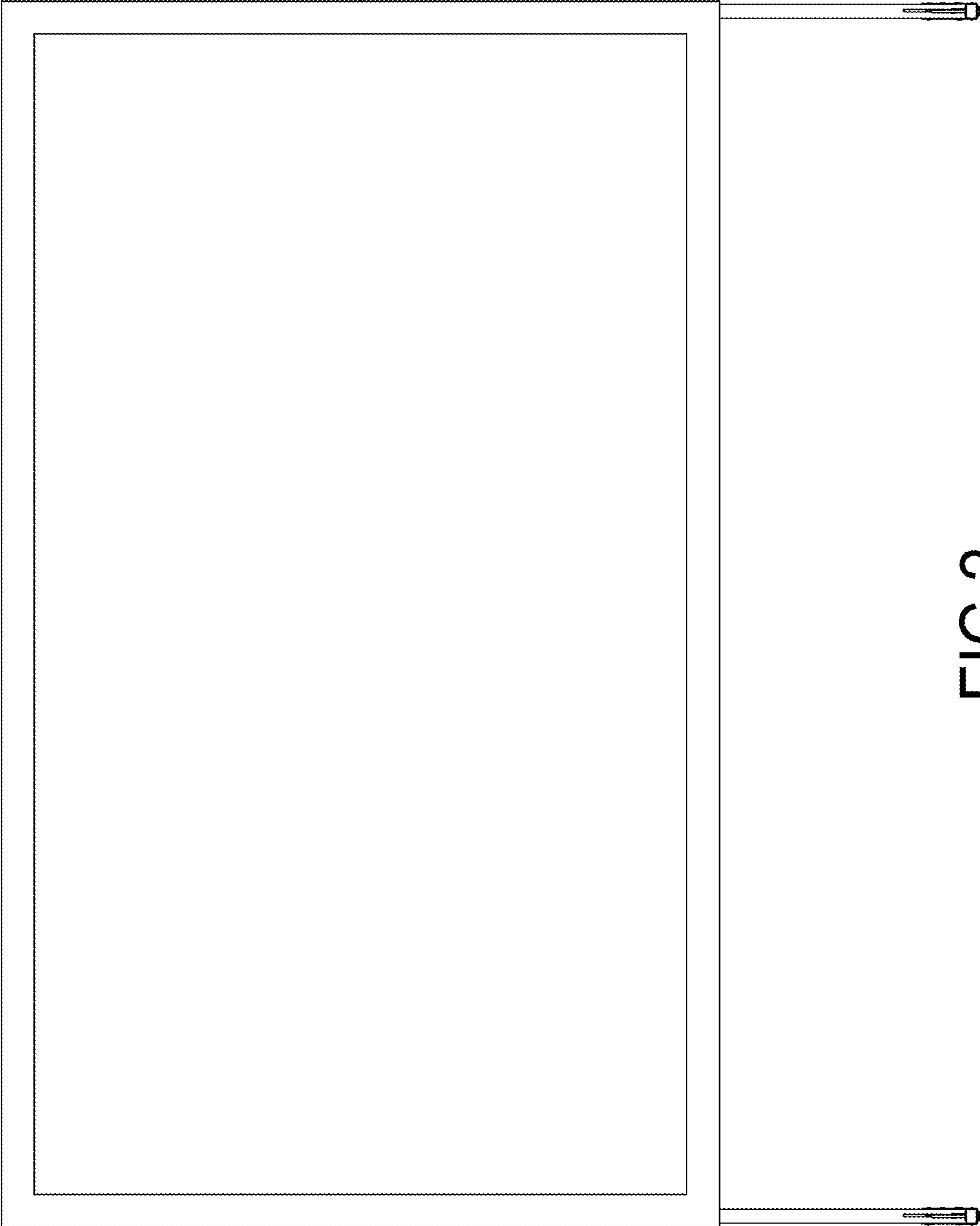


FIG.2

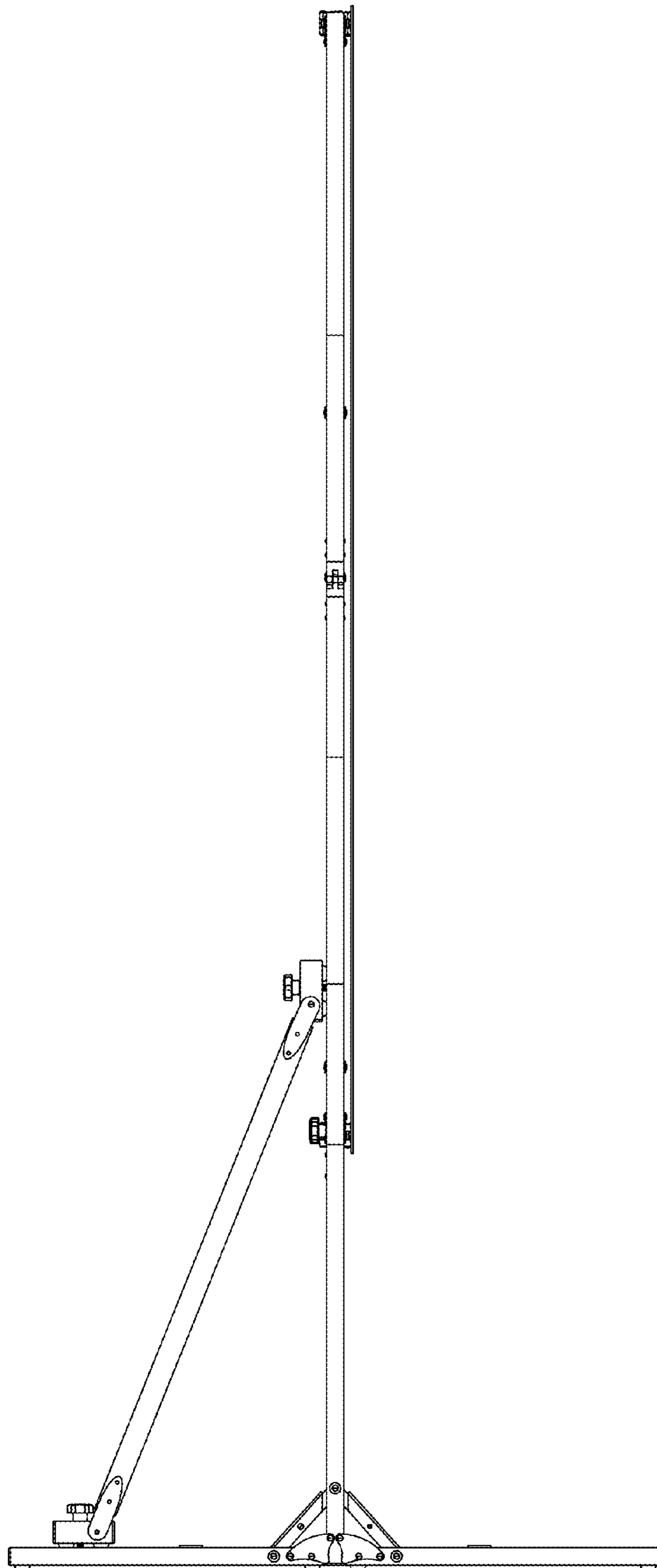


FIG.3

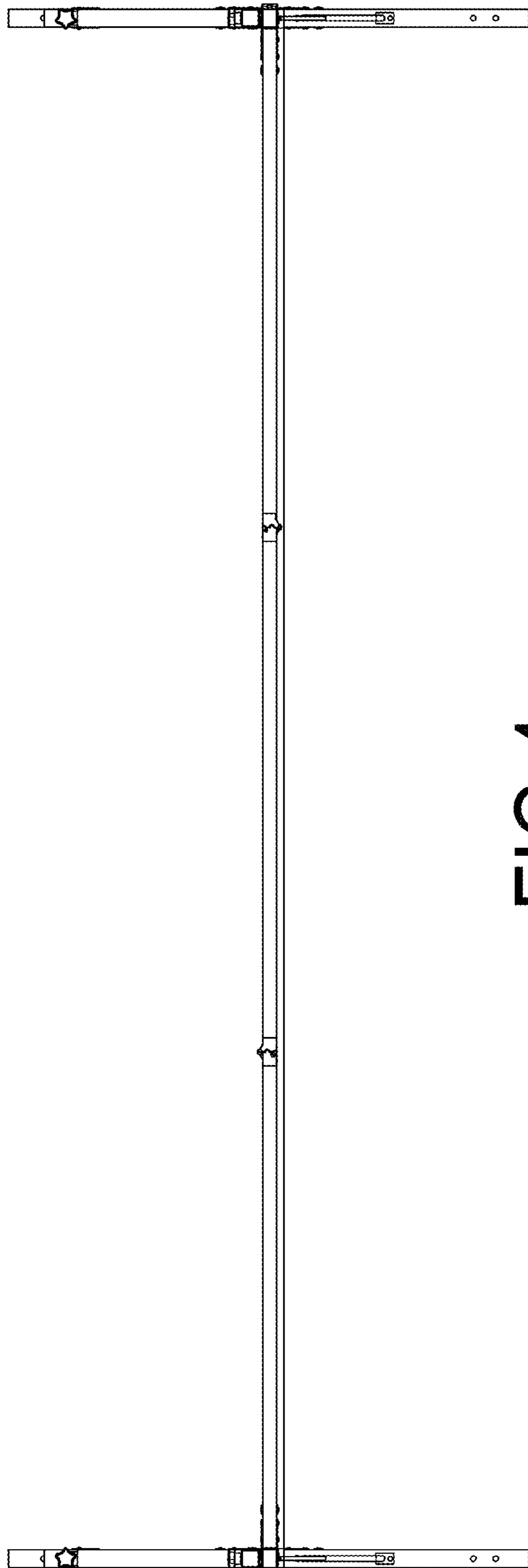


FIG.4