



US00D955461S

(12) **United States Design Patent**
Miyagawa

(10) **Patent No.:** **US D955,461 S**
(45) **Date of Patent:** **** Jun. 21, 2022**

(54) **CAMERA**

(71) Applicant: **NSK CO., LTD.**, Nagoya (JP)

(72) Inventor: **Yoshiki Miyagawa**, Nagoya (JP)

(73) Assignee: **NSK CO., LTD.**, Nagoya (JP)

(**) Term: **15 Years**

(21) Appl. No.: **29/787,070**

(22) Filed: **Jun. 4, 2021**

(51) **LOC (13) Cl.** **16-01**

(52) **U.S. Cl.**
USPC **D16/218; D16/201**

(58) **Field of Classification Search**
USPC D16/200, 202-208, 210, 218, 219;
D21/514; 348/143, 148, 151, 373-376;
396/419, 427, 535-541
CPC G03B 15/03; G03B 17/02; G03B 17/04;
G03B 17/56; G03B 19/04; H04N 5/2251;
H04N 5/2252; H04N 5/2253; H04N
5/2254; H04N 2101/00
See application file for complete search history.

(56) **References Cited**

U.S. PATENT DOCUMENTS

D332,810 S * 1/1993 Fujieda D21/514
D373,130 S * 8/1996 Jin D16/218
D453,527 S 2/2002 Isozaki

D515,608 S * 2/2006 Heatherly D16/202
D522,557 S * 6/2006 Chen D16/202
D524,839 S * 7/2006 Wen D16/202
D585,925 S * 2/2009 Kuo D16/202
D633,122 S * 2/2011 Booker D16/218
D676,476 S * 2/2013 Ishikura D16/202
D822,742 S * 7/2018 Hathway D16/202
D822,743 S * 7/2018 Hathway D16/202
D822,744 S * 7/2018 Hathway D16/202
D834,084 S 11/2018 Gredler
D875,802 S * 2/2020 Jin D16/202

* cited by examiner

Primary Examiner — Ramzi Almatrahi

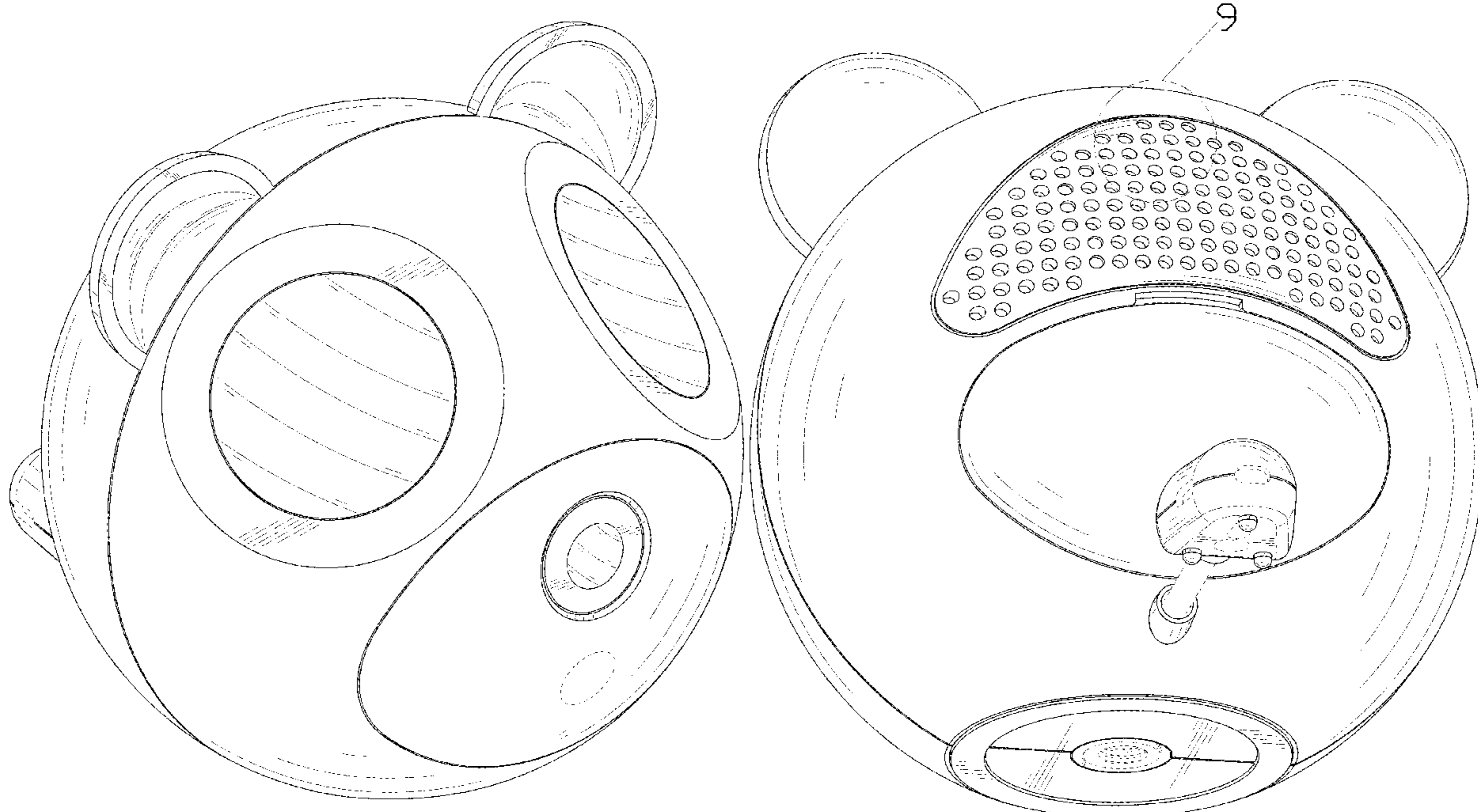
(57) **CLAIM**

The ornamental design for a camera, as shown and described.

DESCRIPTION

FIG. 1 is a top, front and left side perspective view of a camera showing my new design;
FIG. 2 is a bottom and rear perspective view thereof;
FIG. 3 is a front elevational view thereof;
FIG. 4 is a rear elevational view thereof;
FIG. 5 is a left side elevational view thereof;
FIG. 6 is a right side elevational view thereof;
FIG. 7 is a top plan view thereof;
FIG. 8 is a bottom plan view thereof; and,
FIG. 9 is an enlarged view of portion 9 shown in FIG. 2.
The broken lines in the drawings depict portions of the camera that form no part of the claimed design.

1 Claim, 9 Drawing Sheets



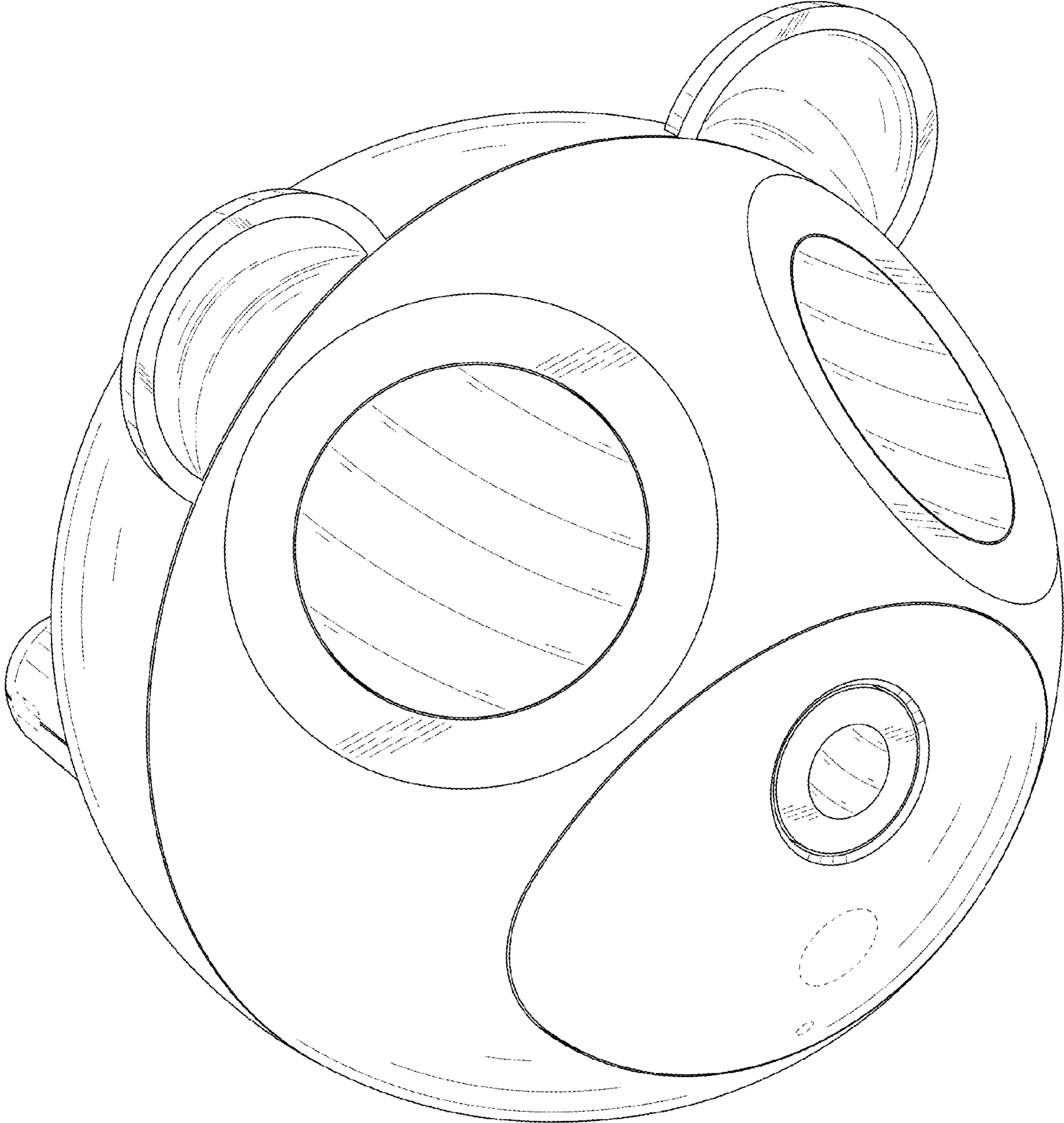


FIG. 1



FIG. 2

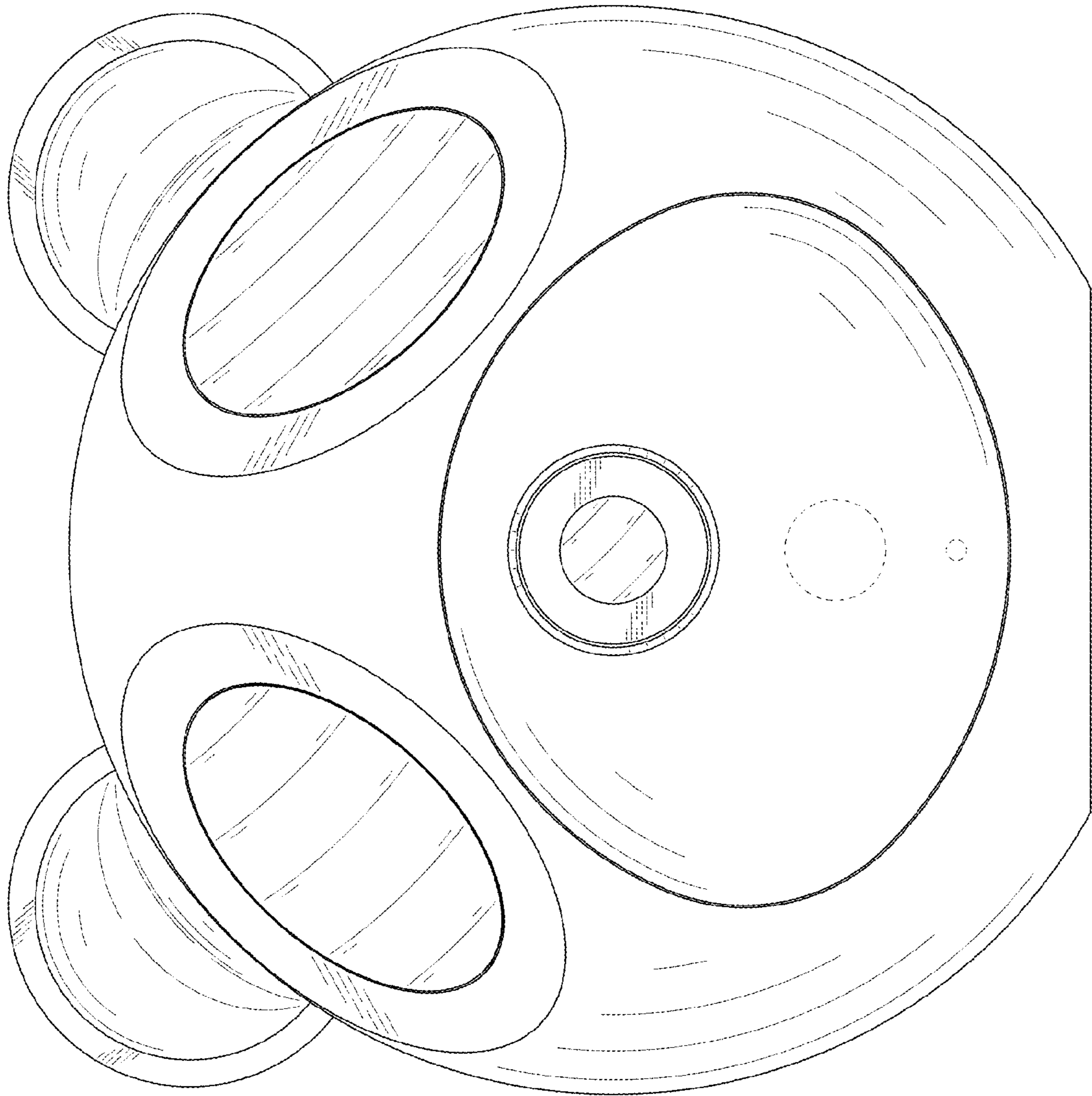


FIG. 3

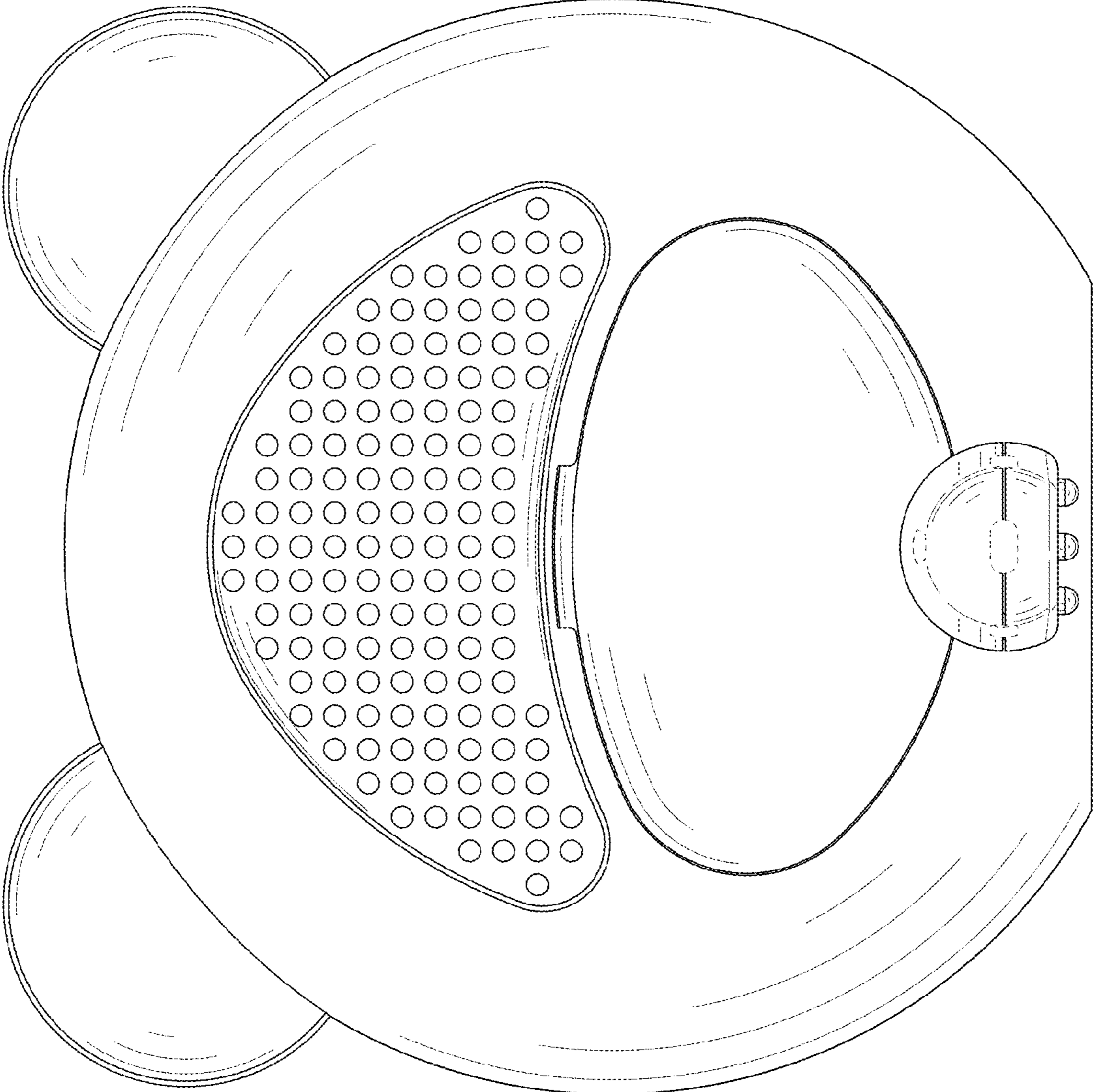


FIG. 4

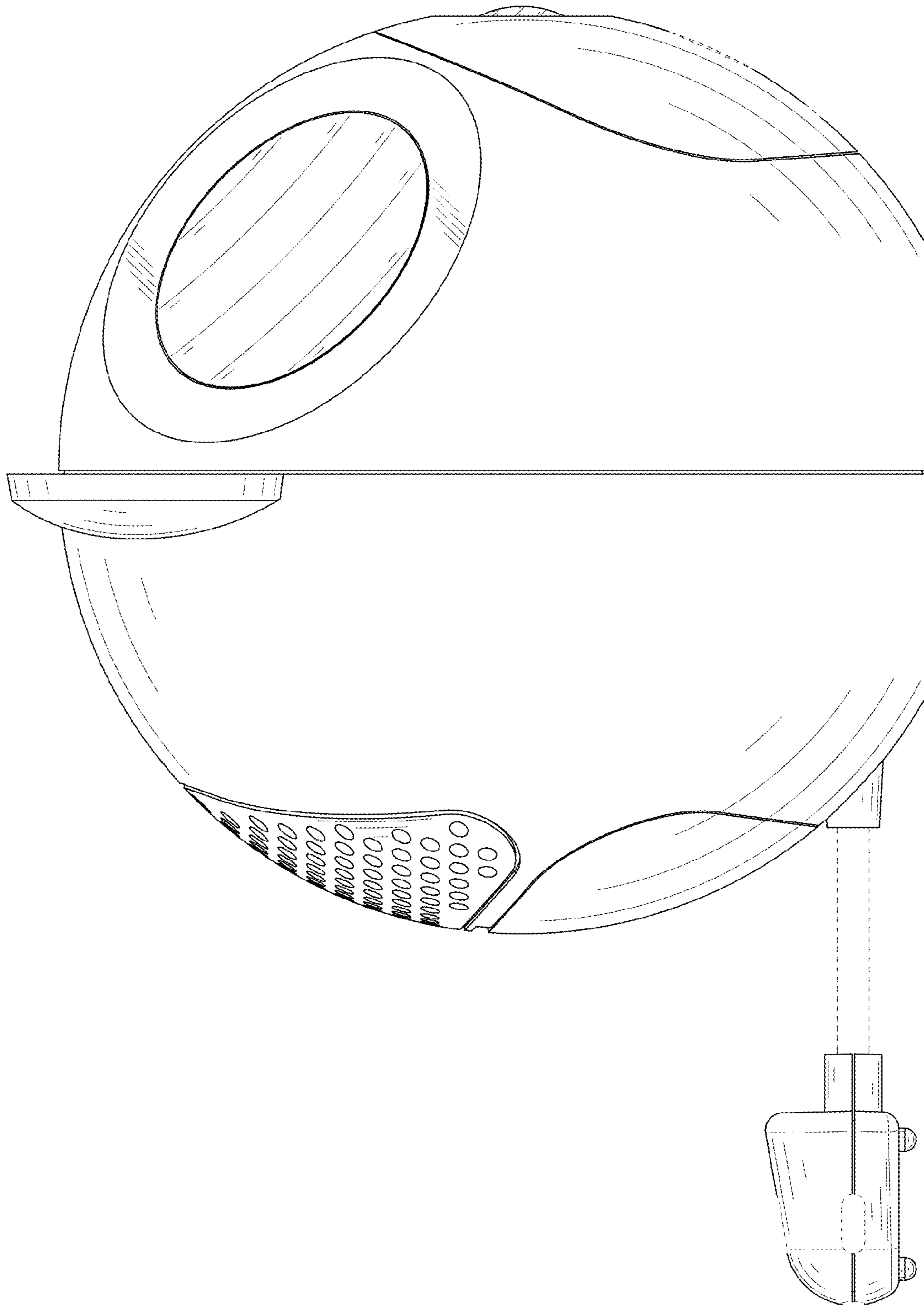


FIG. 5

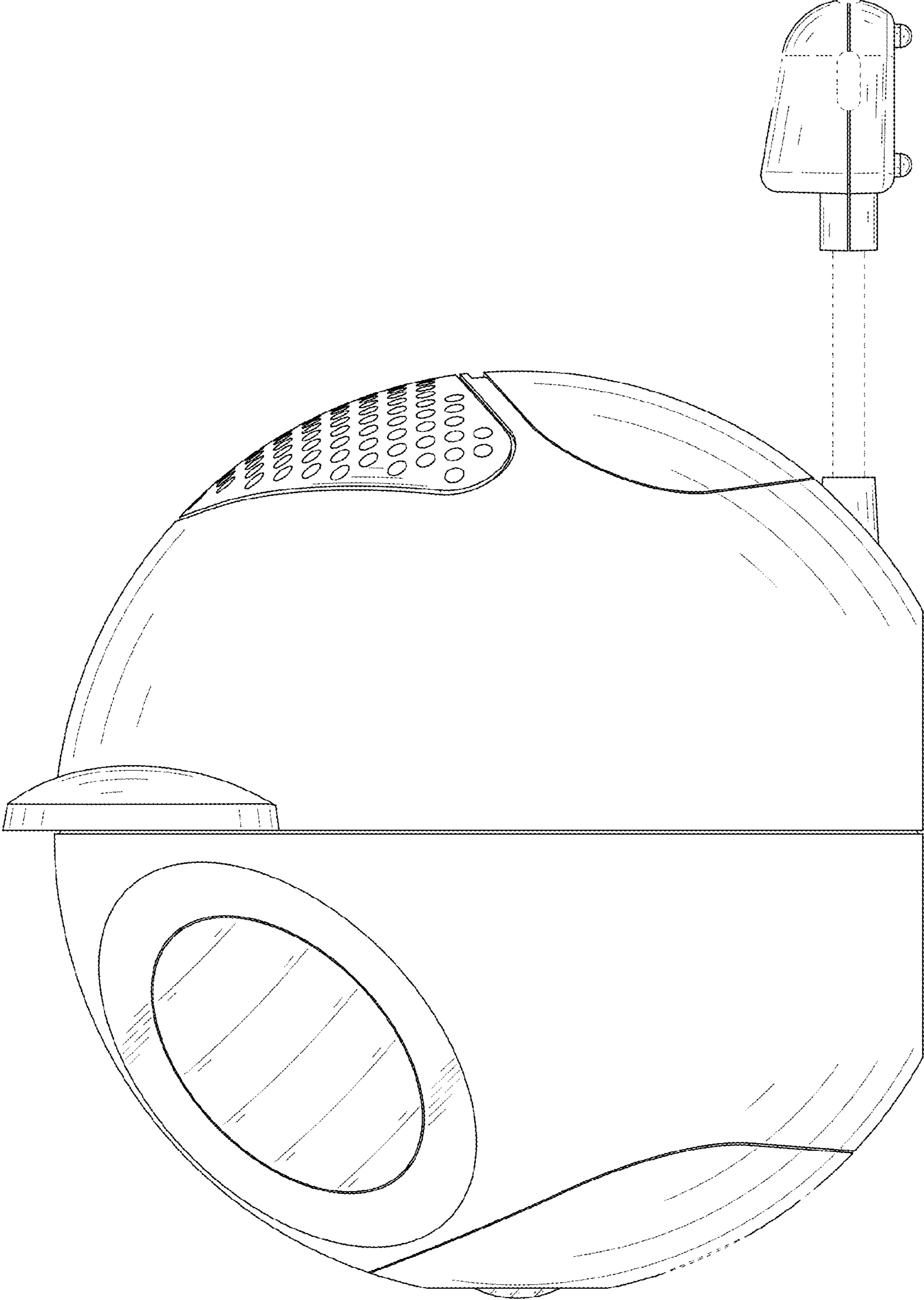


FIG. 6

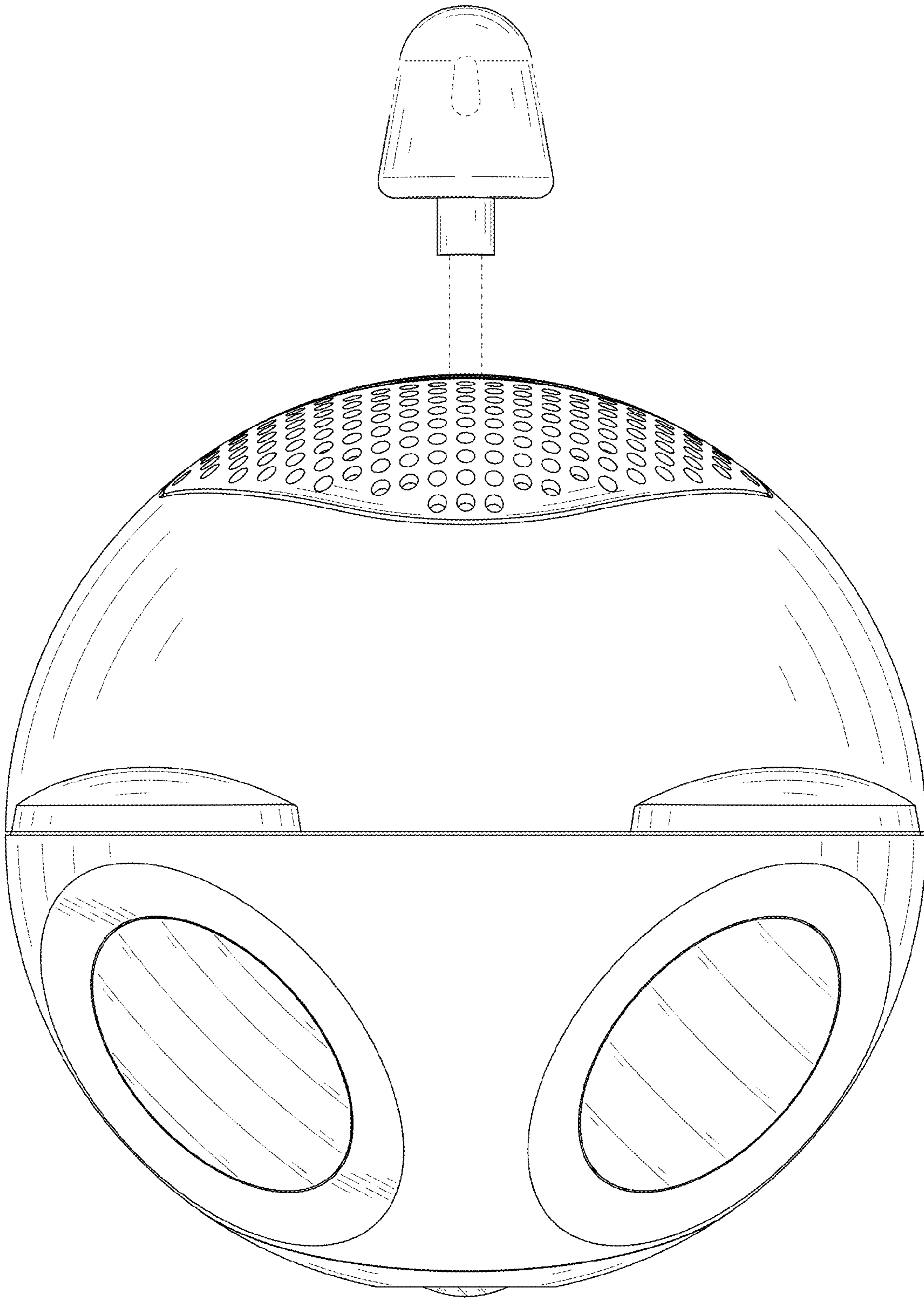


FIG. 7

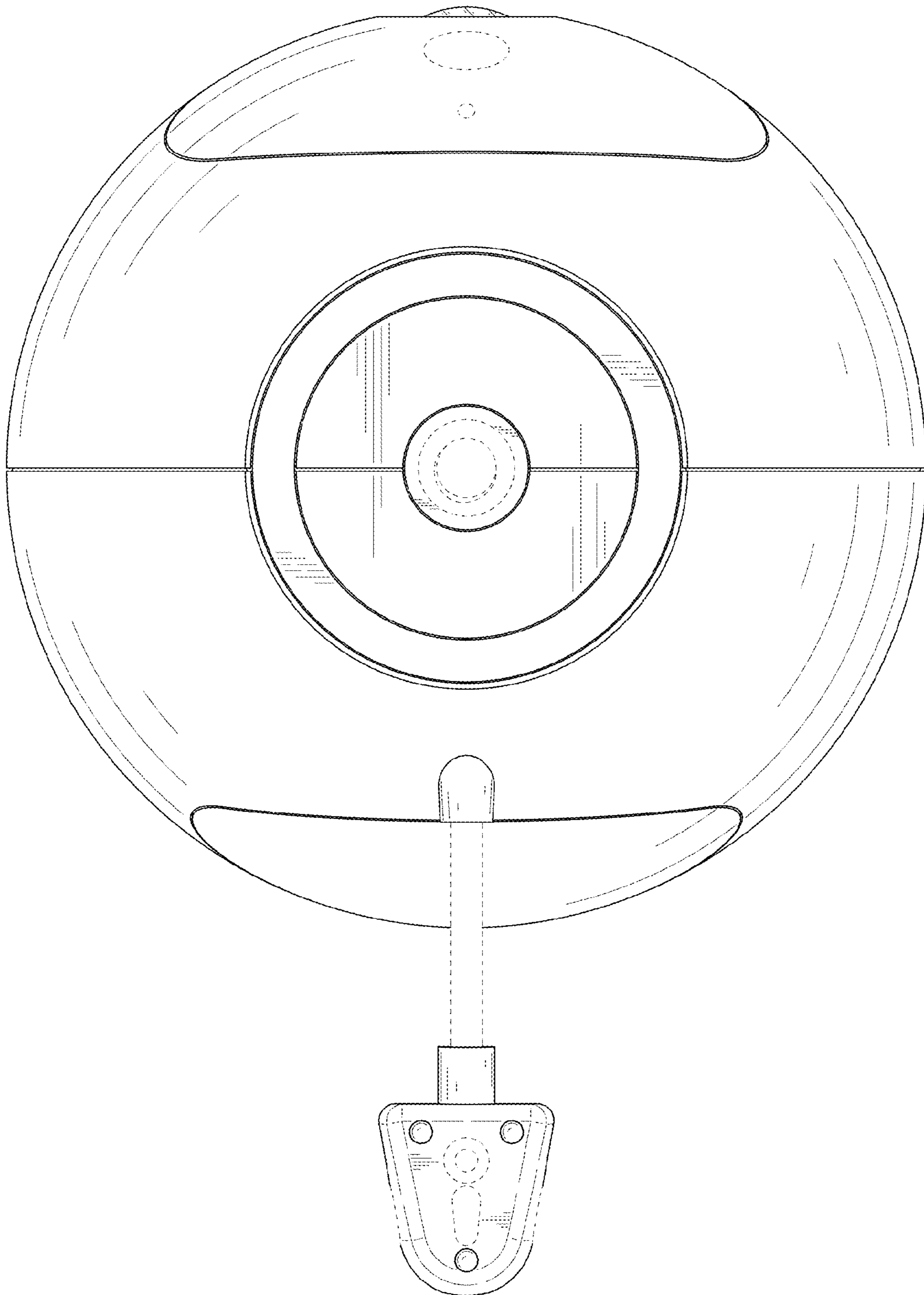


FIG. 8

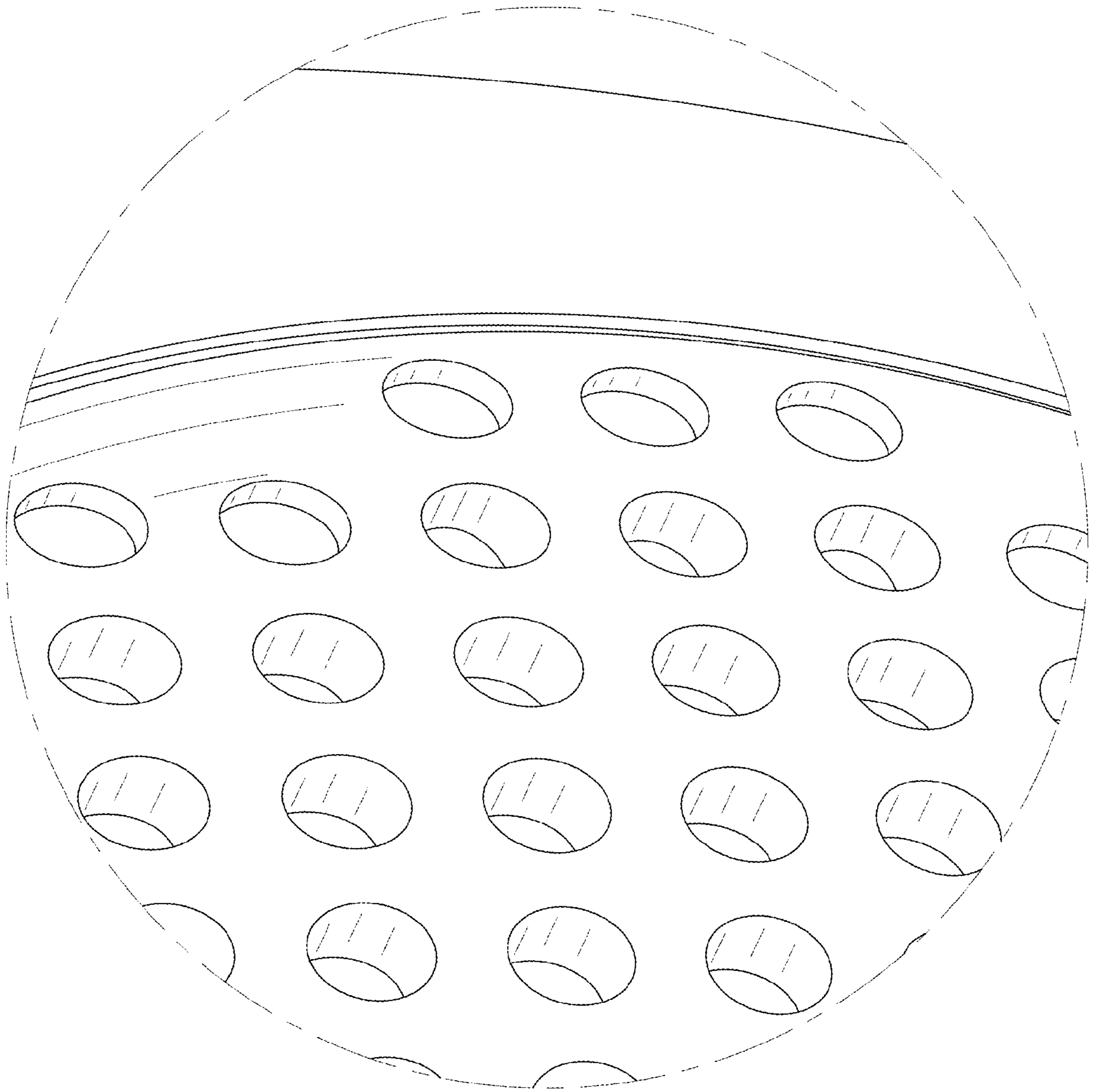


FIG. 9