



US00D955459S

(12) **United States Design Patent** (10) **Patent No.:** **US D955,459 S**
Jankowski et al. (45) **Date of Patent:** **** Jun. 21, 2022**

(54) **OPTICAL END EFFECTOR**
(71) Applicant: **SYNAPTIVE MEDICAL INC.,**
Toronto (CA)
(72) Inventors: **Jakub Jankowski, Kitchener (CA);**
Kyle Richard Dupont, Toronto (CA);
Aryeh Benjamin Taub, Toronto (CA);
Michael Giannini, Toronto (CA);
Thomas Alexander Medal, Toronto
(CA)
(73) Assignee: **SYNAPTIVE MEDICAL INC.,**
Toronto (CA)
(**) Term: **15 Years**
(21) Appl. No.: **29/710,079**
(22) Filed: **Oct. 21, 2019**
(51) **LOC (13) Cl.** **16-99**
(52) **U.S. Cl.**
USPC **D16/130**
(58) **Field of Classification Search**
USPC D10/70, 109.1, 109.2; D16/134, 130,
D16/131, 132, 133, 135, 136, 202-208,
D16/245, 219; D24/120, 113, 118, 119,
D24/121, 122, 124, 125, 128
CPC ... G01C 3/00; G01C 3/02; G01C 3/04; G01C
3/06; G01C 3/08; G01C 3/085; G01C
3/10; G01C 3/12; G01C 3/16; G01C
3/18; G01C 3/20; G01C 3/22; G01C
3/24; G01C 3/26; G01C 3/28; G01C
3/30; G01C 3/32; B60Q 1/04; B60Q
1/26; F21S 8/026; F21S 8/04; F21V
29/004; F21V 21/02; F21V 21/04; F21V
29/2212; F21Y 2101/02; G02B 27/026;
G02B 23/16; G02B 2003/0093; G02B
3/04; H04J 11/00; H04J 13/00; E06B
9/24; G03B 17/02; C03B 2215/46
See application file for complete search history.

(56) **References Cited**
U.S. PATENT DOCUMENTS
D351,397 S * 10/1994 Dor D16/130
D380,222 S * 6/1997 Bryant D16/132
D522,031 S * 5/2006 Siu D16/132
D525,544 S * 7/2006 Nojima D10/70
D716,858 S * 11/2014 Kobayashi D16/132
D823,147 S * 7/2018 Bainter D10/70
D865,544 S * 11/2019 Yu D10/70
D865,545 S * 11/2019 Yu D10/70
D895,457 S * 9/2020 Zhang D10/70
D903,735 S * 12/2020 Chen D16/132
D922,466 S * 6/2021 Larsen D16/202
D933,114 S * 10/2021 Lai D16/132
2005/0110977 A1 * 5/2005 LaBelle G01C 3/08
356/6

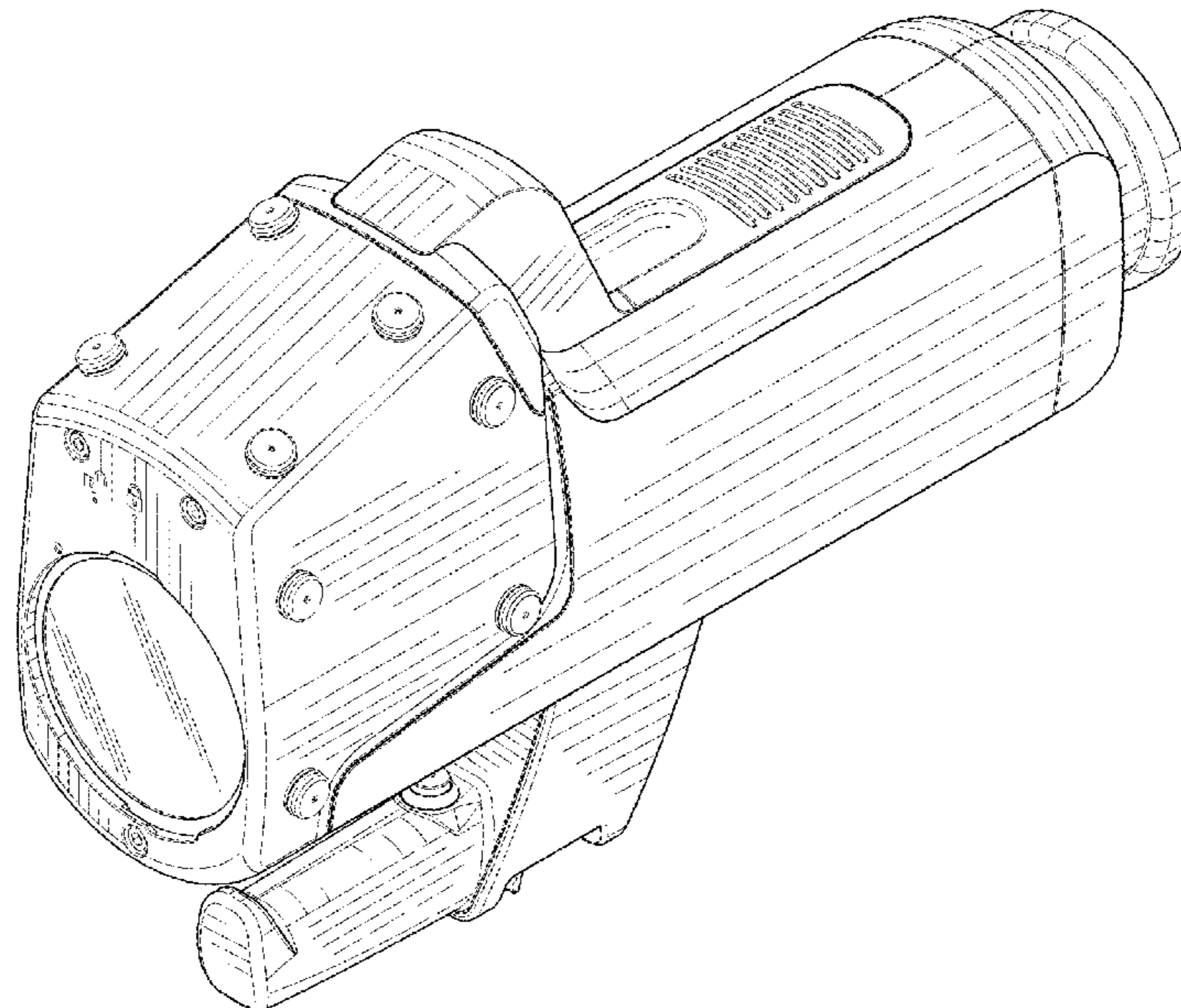
* cited by examiner

Primary Examiner — Richard Kearney
Assistant Examiner — Benjamin M Weeks

(57) **CLAIM**
We claim the ornamental design for an optical end effector,
as shown and described.

DESCRIPTION
FIG. 1 is a front top perspective view of an optical end effector;
FIG. 2 is a rear bottom perspective view of an optical end effector;
FIG. 3 is a front elevation view thereof;
FIG. 4 is a rear elevation view thereof;
FIG. 5 is a left-side elevation view thereof;
FIG. 6 is a right-side elevation view thereof.
FIG. 7 is a top plan view thereof; and,
FIG. 8 is a bottom plan view thereof.
The broken lines depict portions of the optical end effector and form no part of the claimed design.

1 Claim, 8 Drawing Sheets



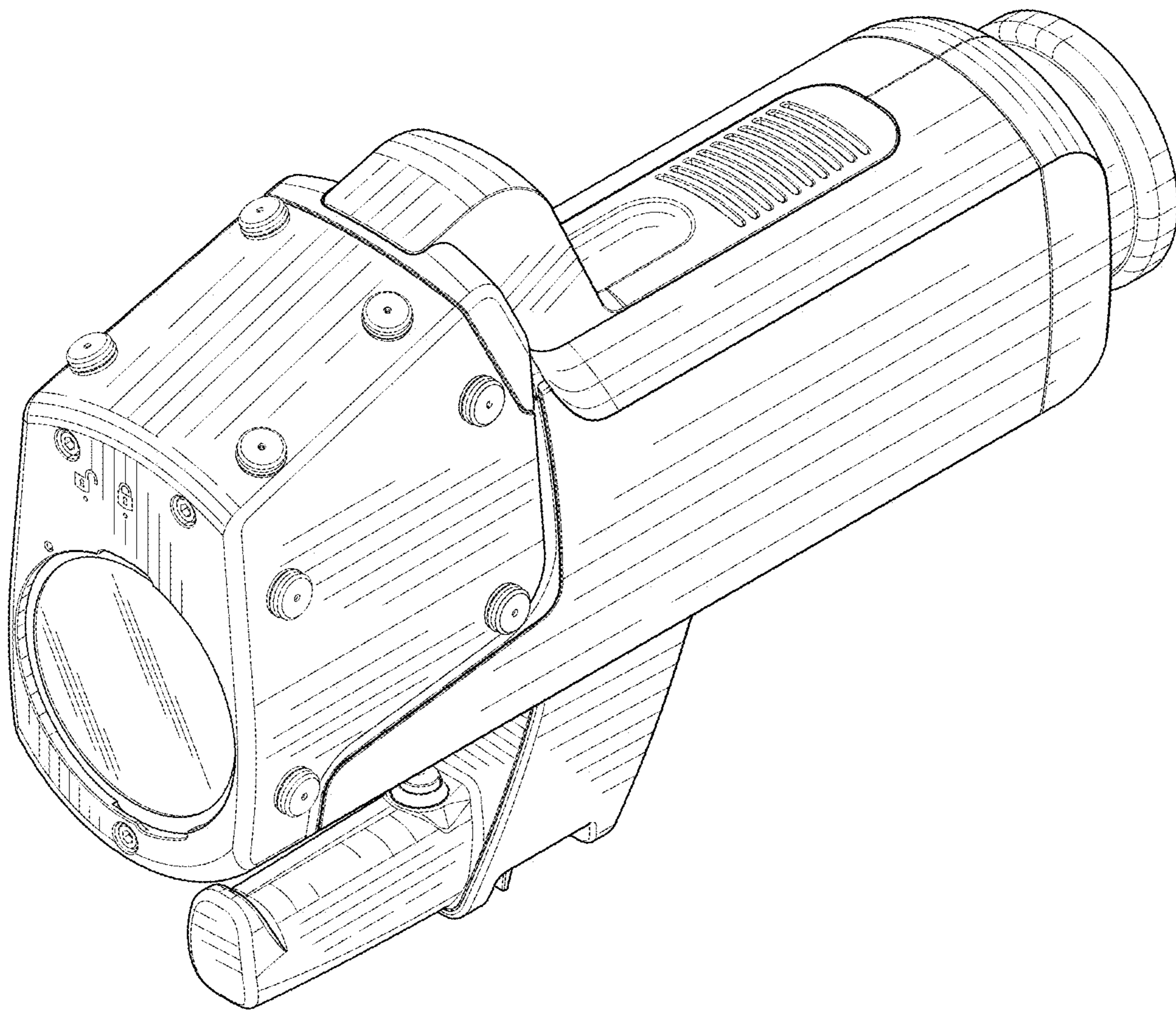


FIG.1

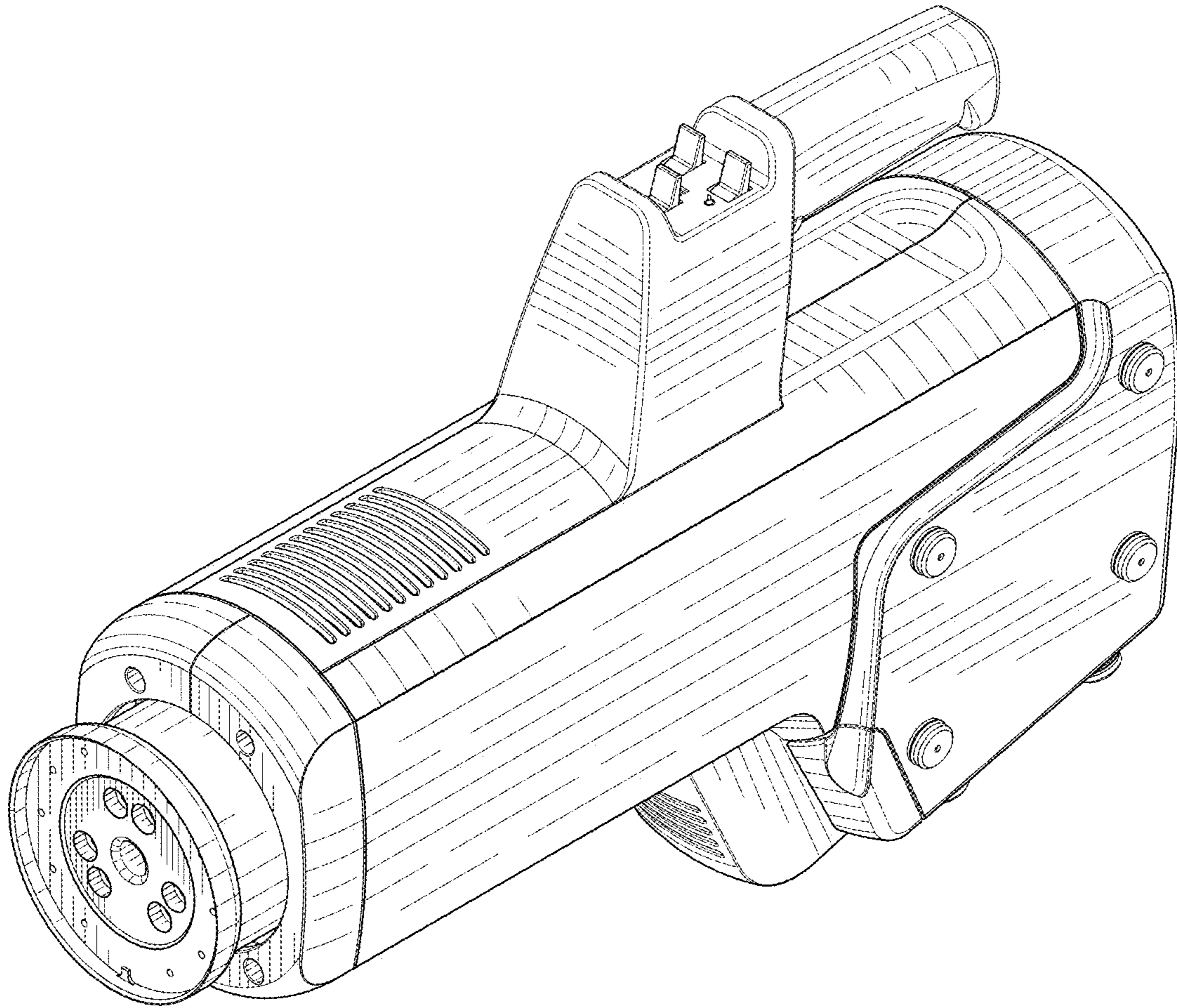


FIG.2

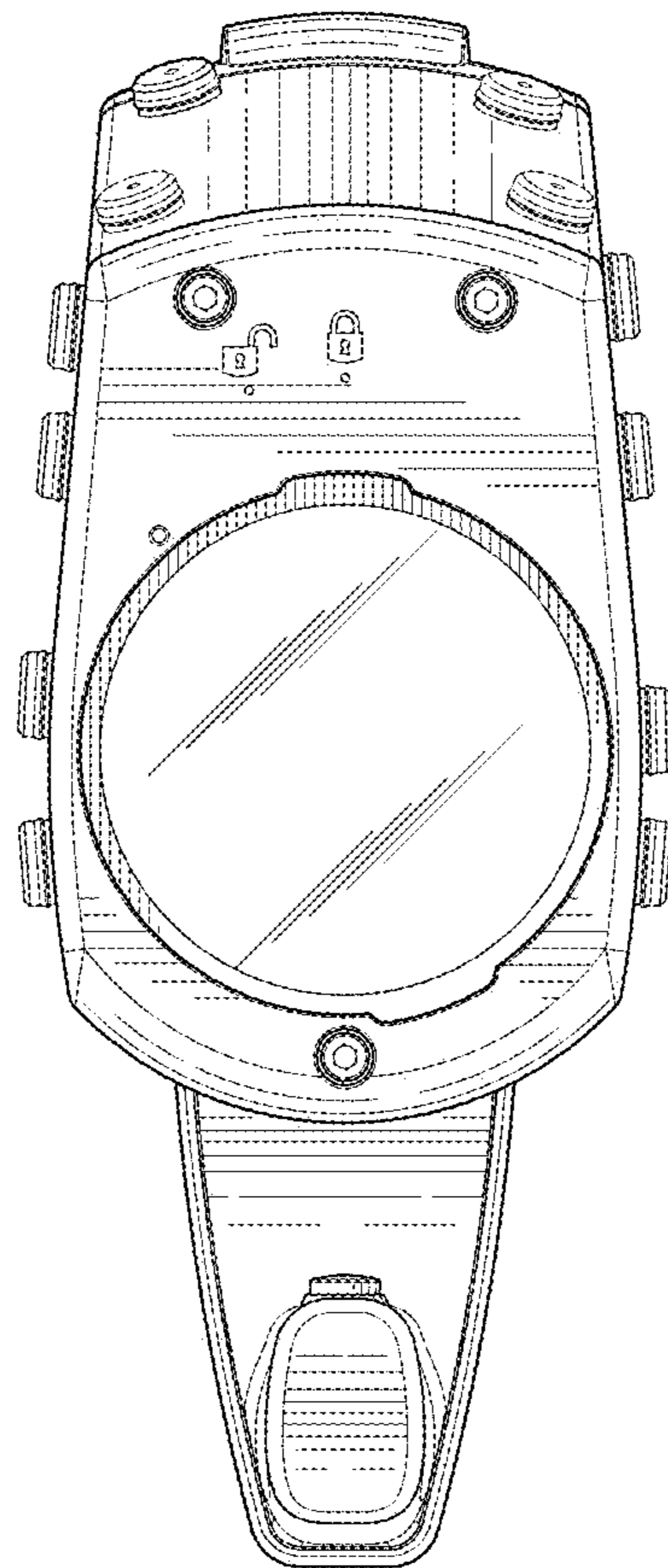


FIG.3

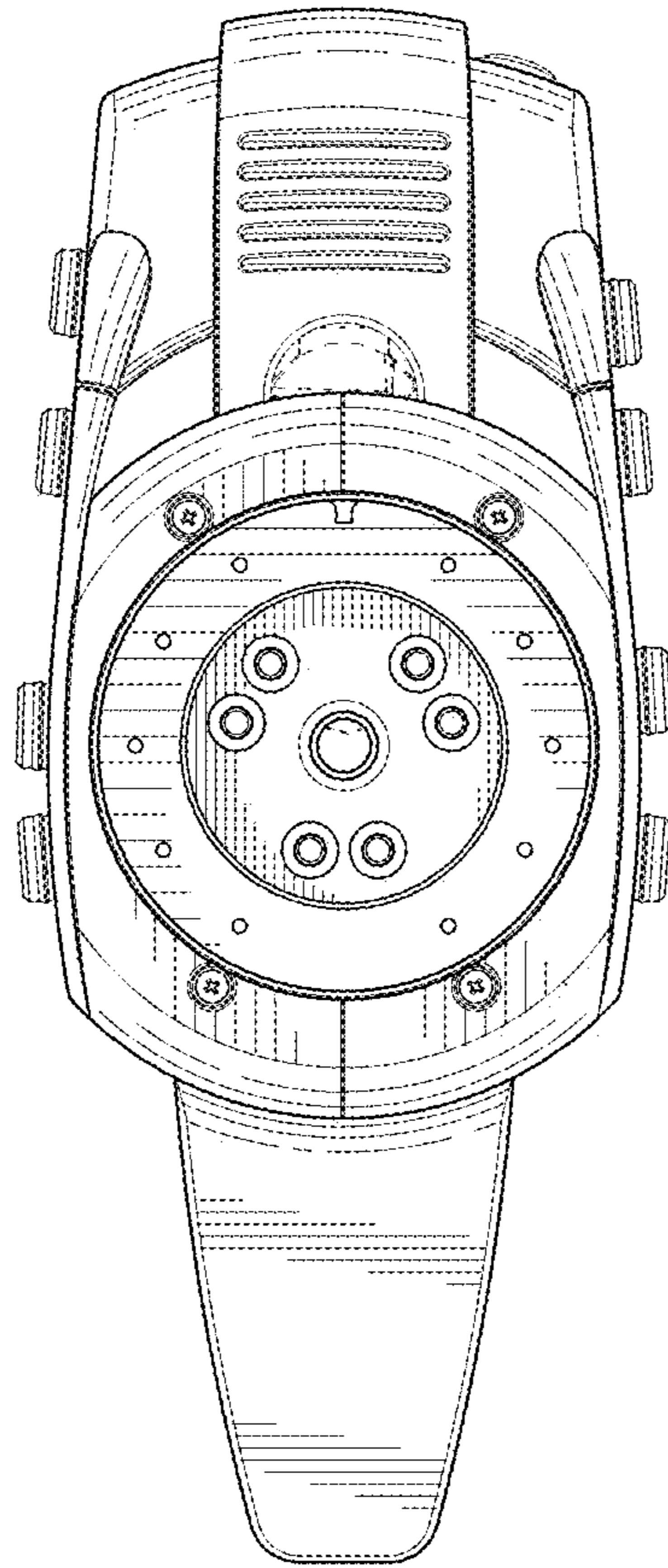


FIG.4

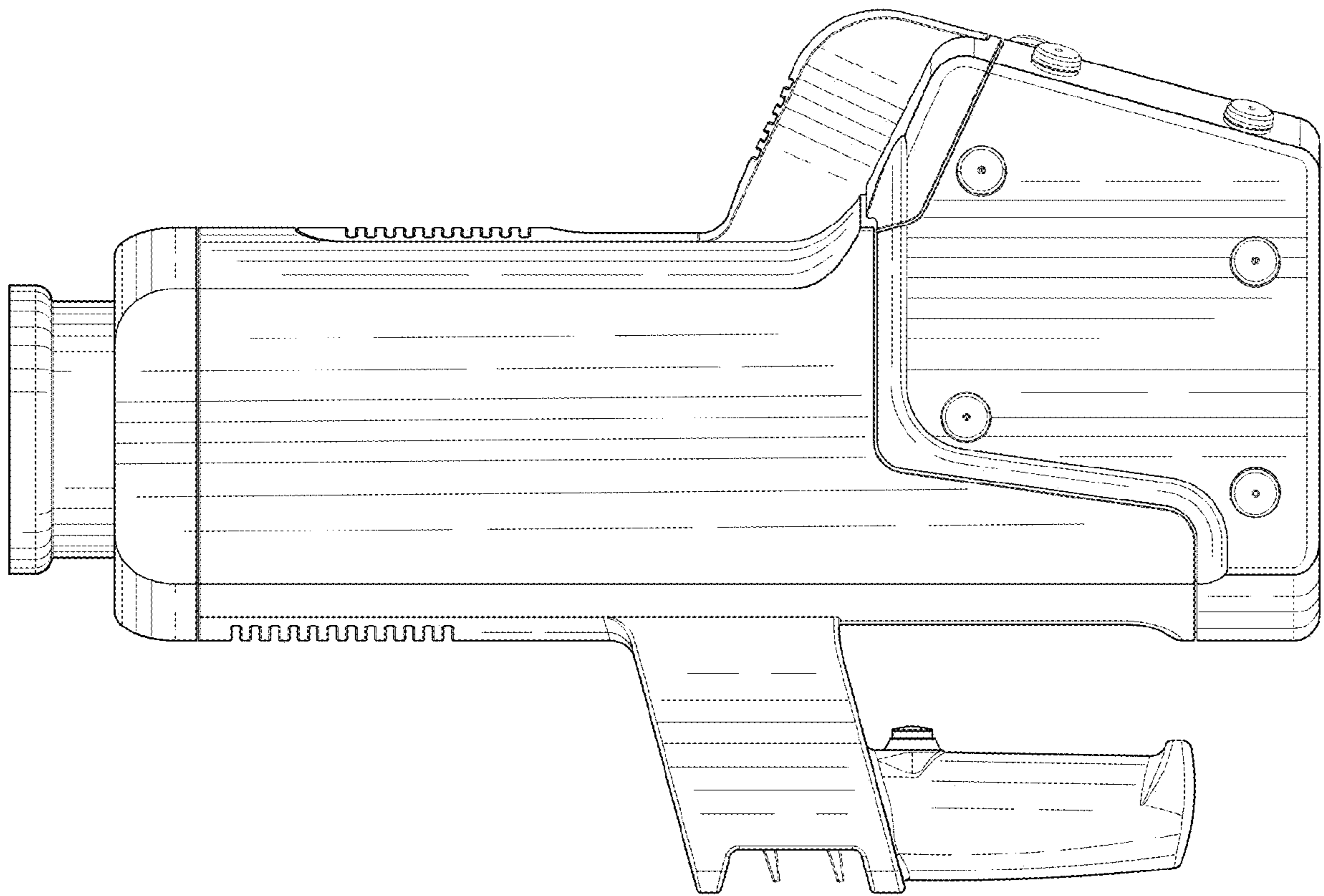


FIG.5

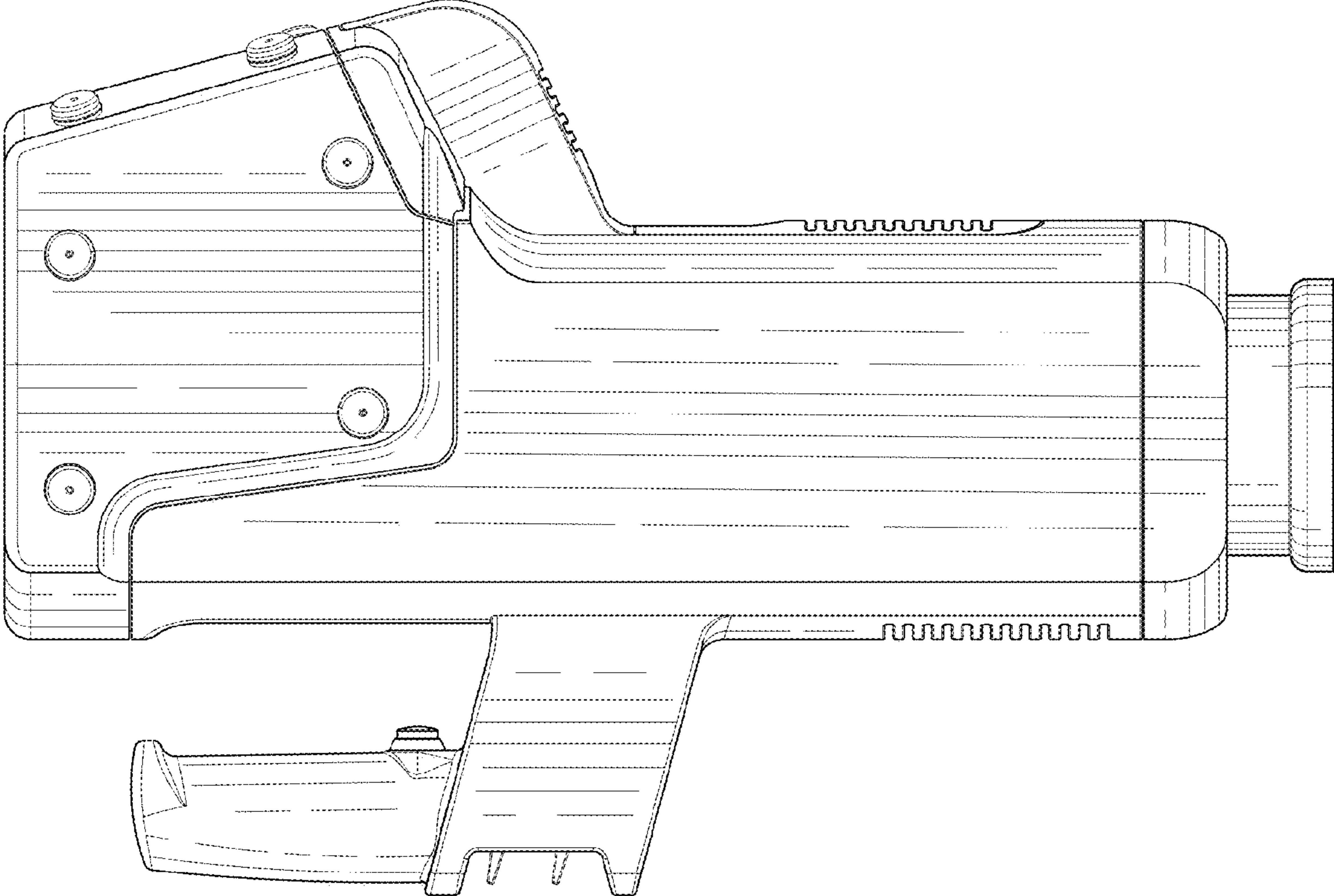


FIG.6

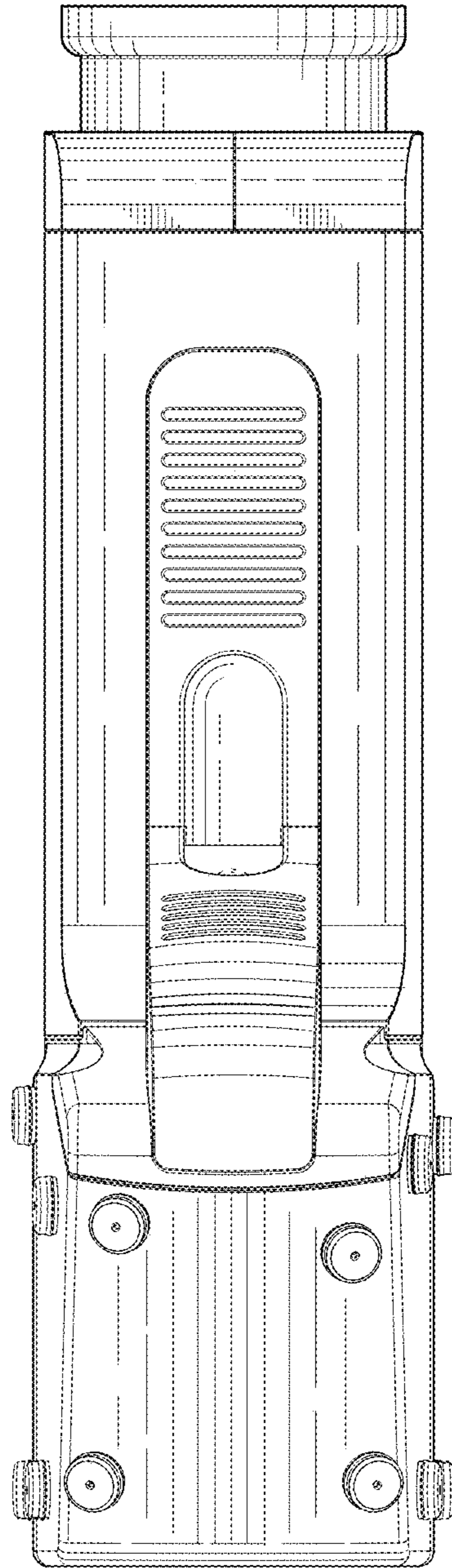


FIG.7

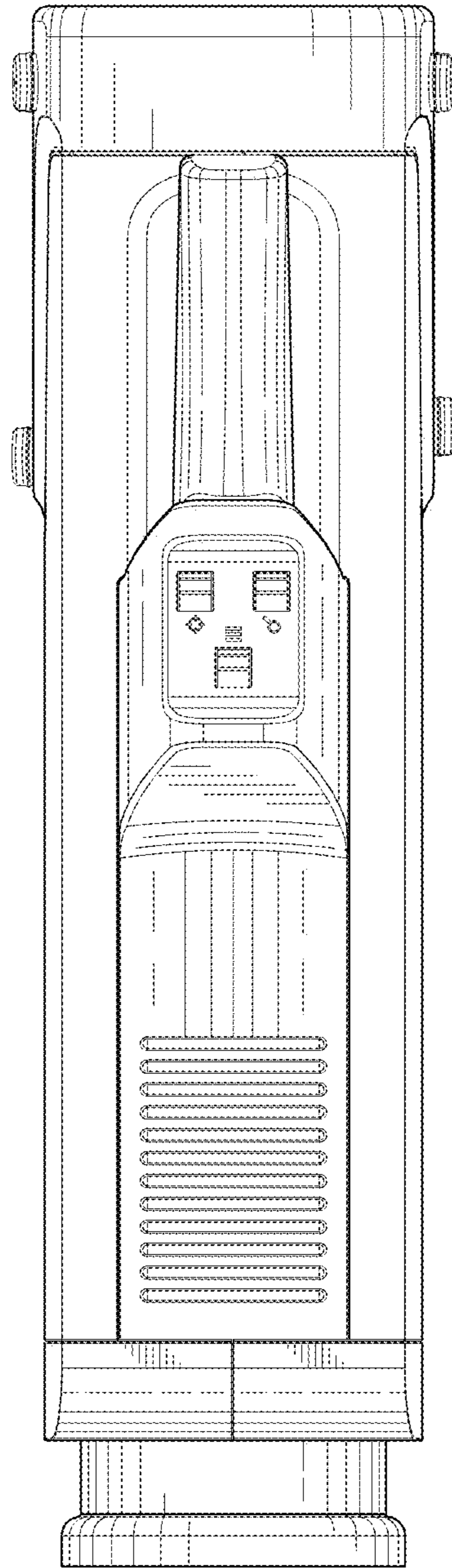


FIG.8