



US00D955457S

(12) **United States Design Patent**
Chen

(10) **Patent No.:** **US D955,457 S**
(45) **Date of Patent:** **** Jun. 21, 2022**

- (54) **WINDER FOR WATCH**
- (71) Applicant: **Kehuangda (Guangzhou) Trading Co., Ltd.**, Guangzhou (CN)
- (72) Inventor: **Tao Chen**, Guangzhou (CN)
- (73) Assignee: **Kehuangda (Guangzhou) Trading Co., Ltd.**, Guangzhou (CN)
- (**) Term: **15 Years**
- (21) Appl. No.: **29/825,245**
- (22) Filed: **Jan. 30, 2022**

Related U.S. Application Data

- (62) Division of application No. 29/763,584, filed on Dec. 23, 2020.

(30) **Foreign Application Priority Data**

Dec. 14, 2020 (CN) 202030768455.4

- (51) **LOC (13) Cl.** **15-99**

- (52) **U.S. Cl.**
USPC **D15/199**

- (58) **Field of Classification Search**
USPC D3/273-294, 298; D9/414, 418, 420, D9/421, 423, 431-432; D15/199
CPC ... G04B 5/00; G04B 5/04; G04D 7/00; G04D 7/009
See application file for complete search history.

(56) **References Cited**

U.S. PATENT DOCUMENTS

- 5,988,871 A * 11/1999 Bonnet G04B 3/006 81/7.5
- D452,256 S * 12/2001 Wolf D15/199
- D507,709 S * 7/2005 Au D9/418
- D510,210 S * 10/2005 Au D3/294

- D513,024 S * 12/2005 Christianson G04D 7/009 D15/199
- D513,568 S * 1/2006 Au G04D 7/009 D3/294
- D543,054 S * 5/2007 Au G04D 7/009 D3/298
- D556,227 S * 11/2007 Au D15/199
- 7,575,367 B2 * 8/2009 Wolf, V G04D 7/009 81/7.5
- D607,028 S * 12/2009 Subilia D15/199
- 7,927,009 B2 * 4/2011 Huang G04D 7/009 439/701
- D658,696 S * 5/2012 Au D15/199
- 8,714,813 B2 * 5/2014 Liao G04B 5/00 320/108
- D719,991 S * 12/2014 Ko D15/199
- D722,633 S * 2/2015 Au D15/199
- D905,144 S * 12/2020 Liang D15/199
- D931,924 S * 9/2021 Huang D15/199

(Continued)

Primary Examiner — Patricia A Palasik

(74) *Attorney, Agent, or Firm* — Westbridge IP LLC

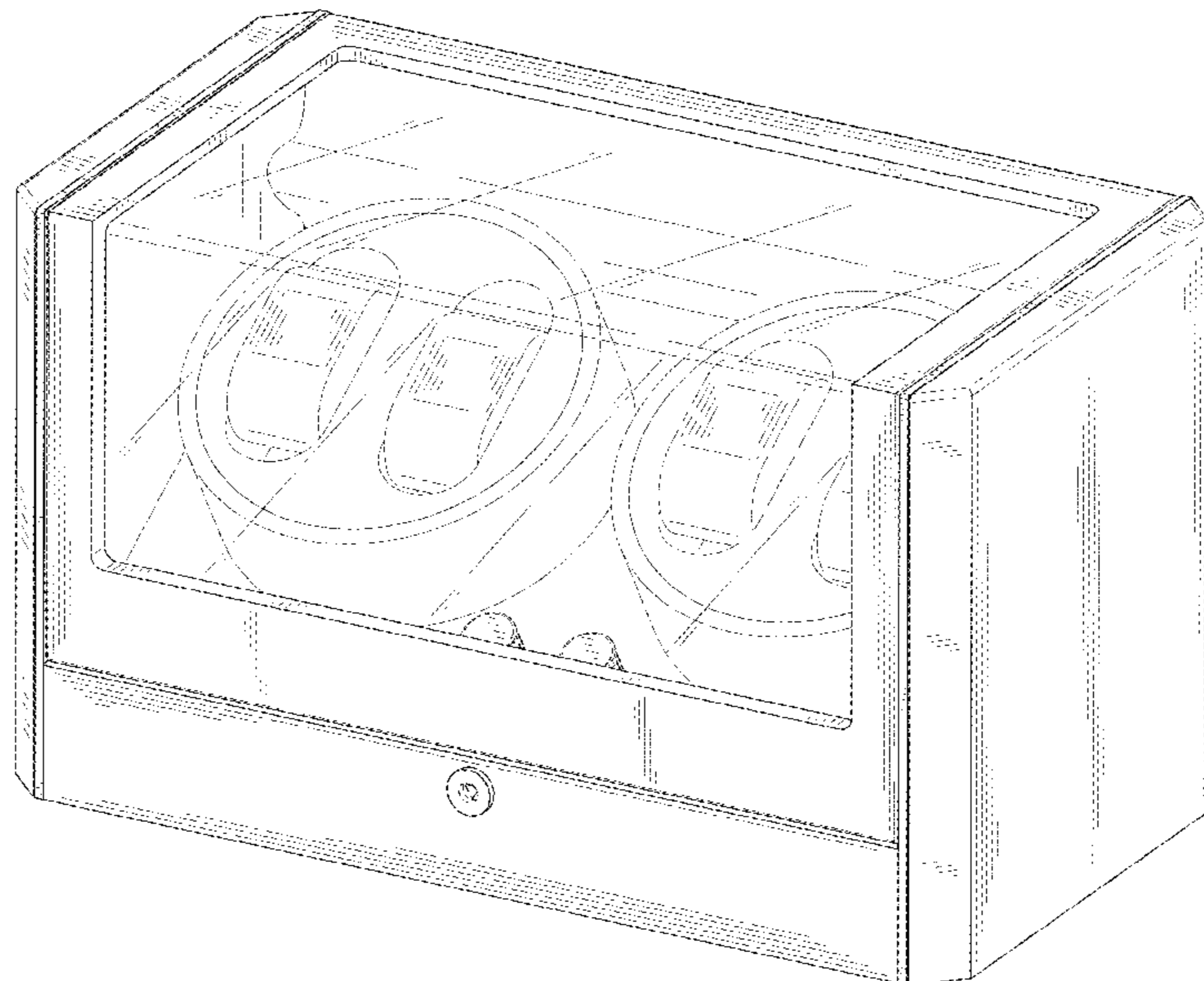
(57) **CLAIM**

The ornamental design for a winder for watch, as shown and described.

DESCRIPTION

FIG. 1 is a front perspective view of a winder for watch showing my new design;
 FIG. 2 is a rear perspective view thereof;
 FIG. 3 is a front elevational view thereof;
 FIG. 4 is a rear elevational view thereof;
 FIG. 5 is a left side elevational view thereof;
 FIG. 6 is a right side elevational view thereof;
 FIG. 7 is a top plan view thereof;
 FIG. 8 is a bottom plan view thereof; and,
 FIG. 9 is a perspective view thereof in an open state.
 The broken lines in the drawings illustrate portions of the winder for watch that form no part of the claimed design.

1 Claim, 9 Drawing Sheets



(56)

References Cited

U.S. PATENT DOCUMENTS

D937,921	S	*	12/2021	Huang	D15/199
D939,005	S	*	12/2021	Huang	D15/199
2005/0254352	A1	*	11/2005	Wolf, V	G04D 7/009 368/206
2007/0223319	A1	*	9/2007	Hill	G04D 7/009 368/206
2010/0165798	A1	*	7/2010	Huang	G04D 7/009 368/206
2012/0082011	A1	*	4/2012	Liao	G04B 5/00 368/206

* cited by examiner

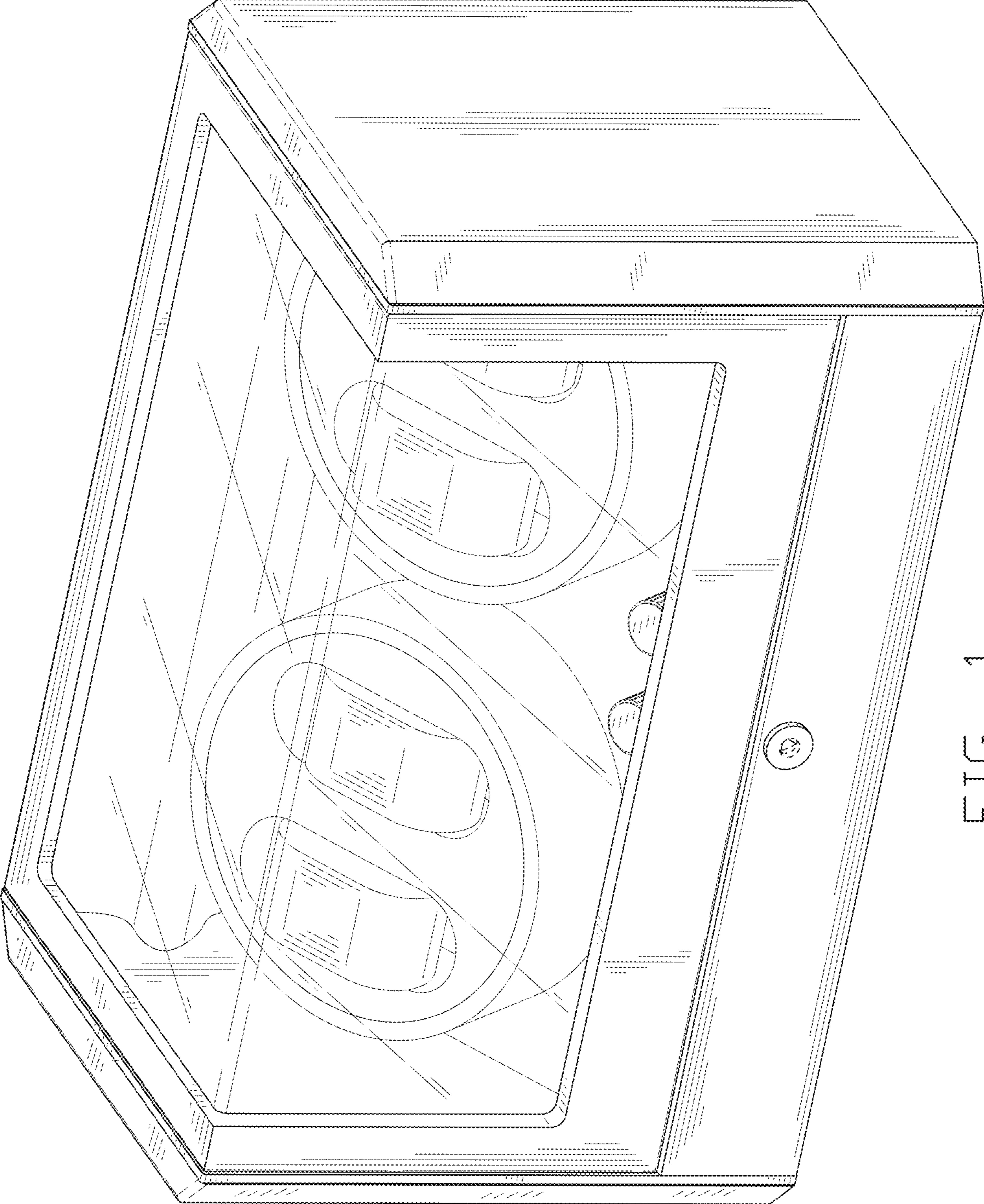


FIG. 1

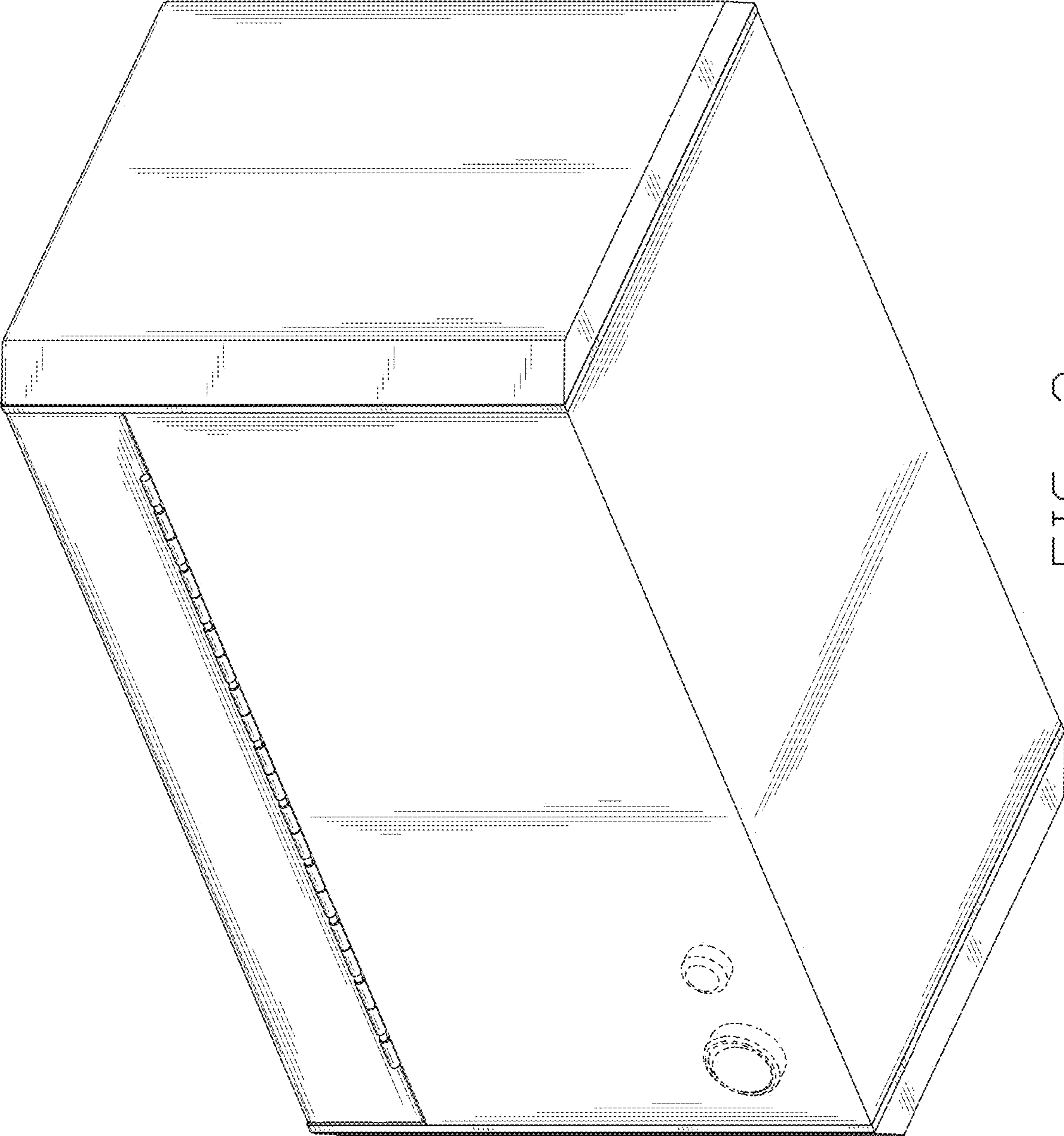


FIG. 2

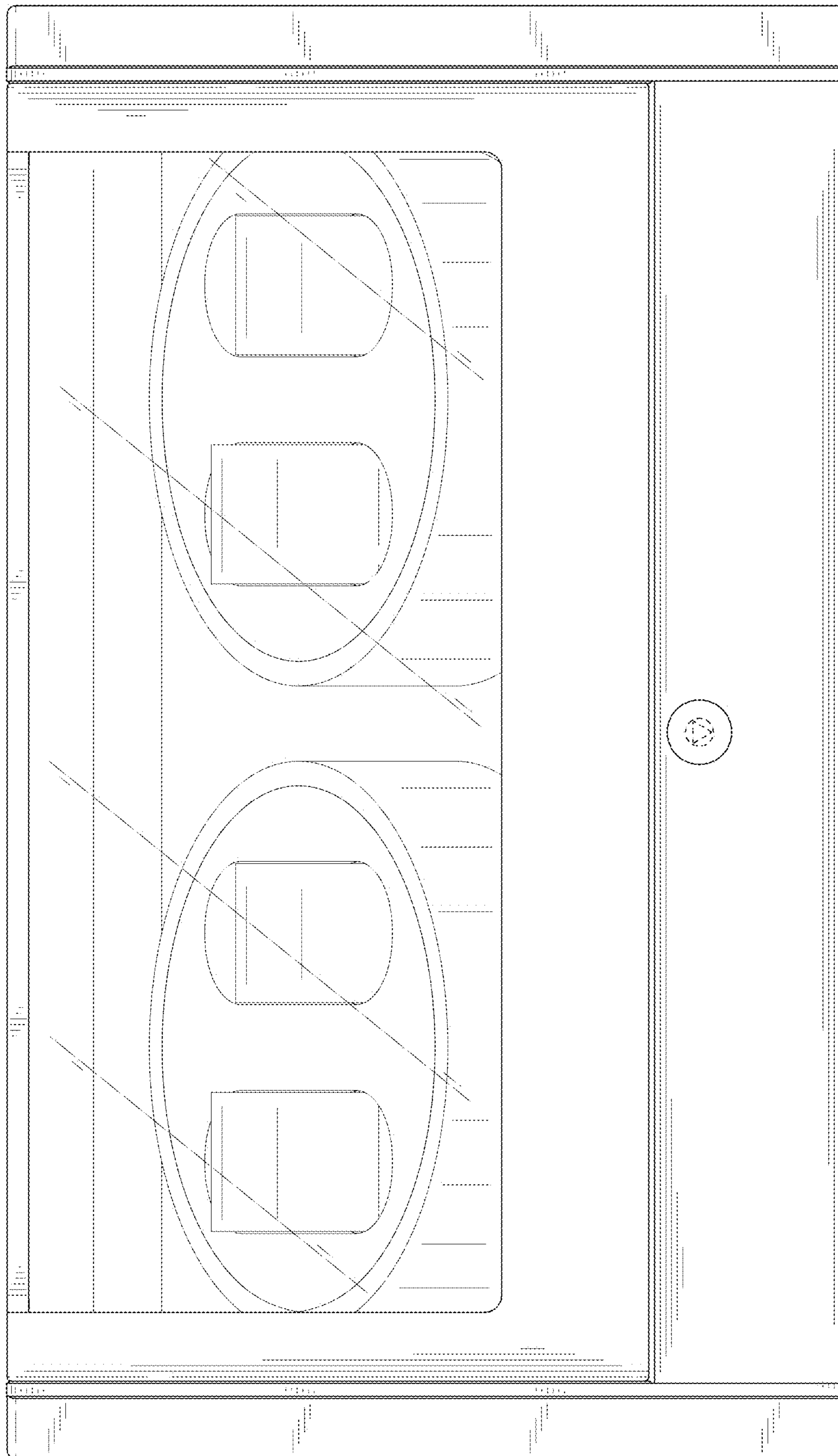


FIG. 3

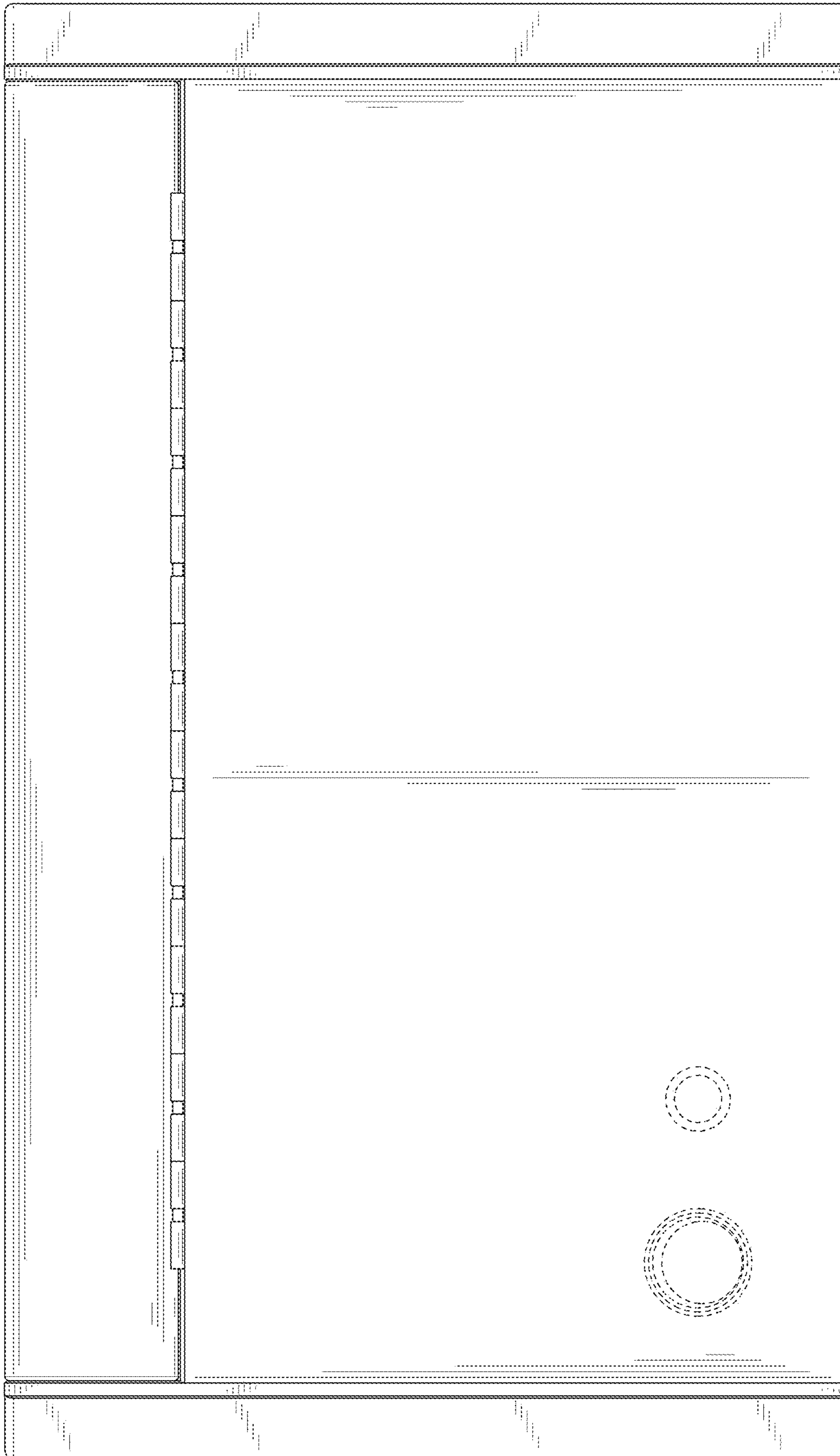


FIG. 4

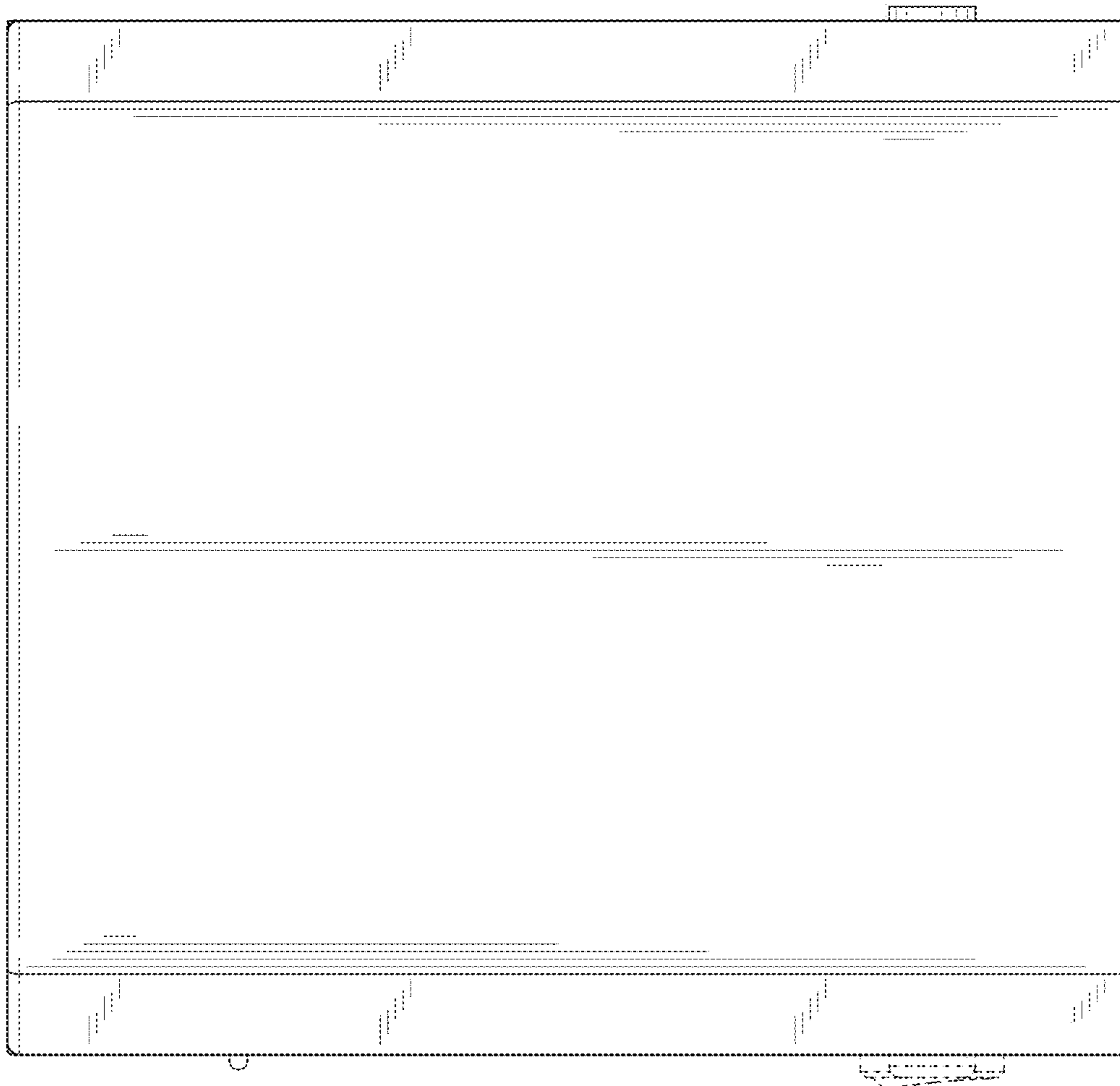


FIG. 5

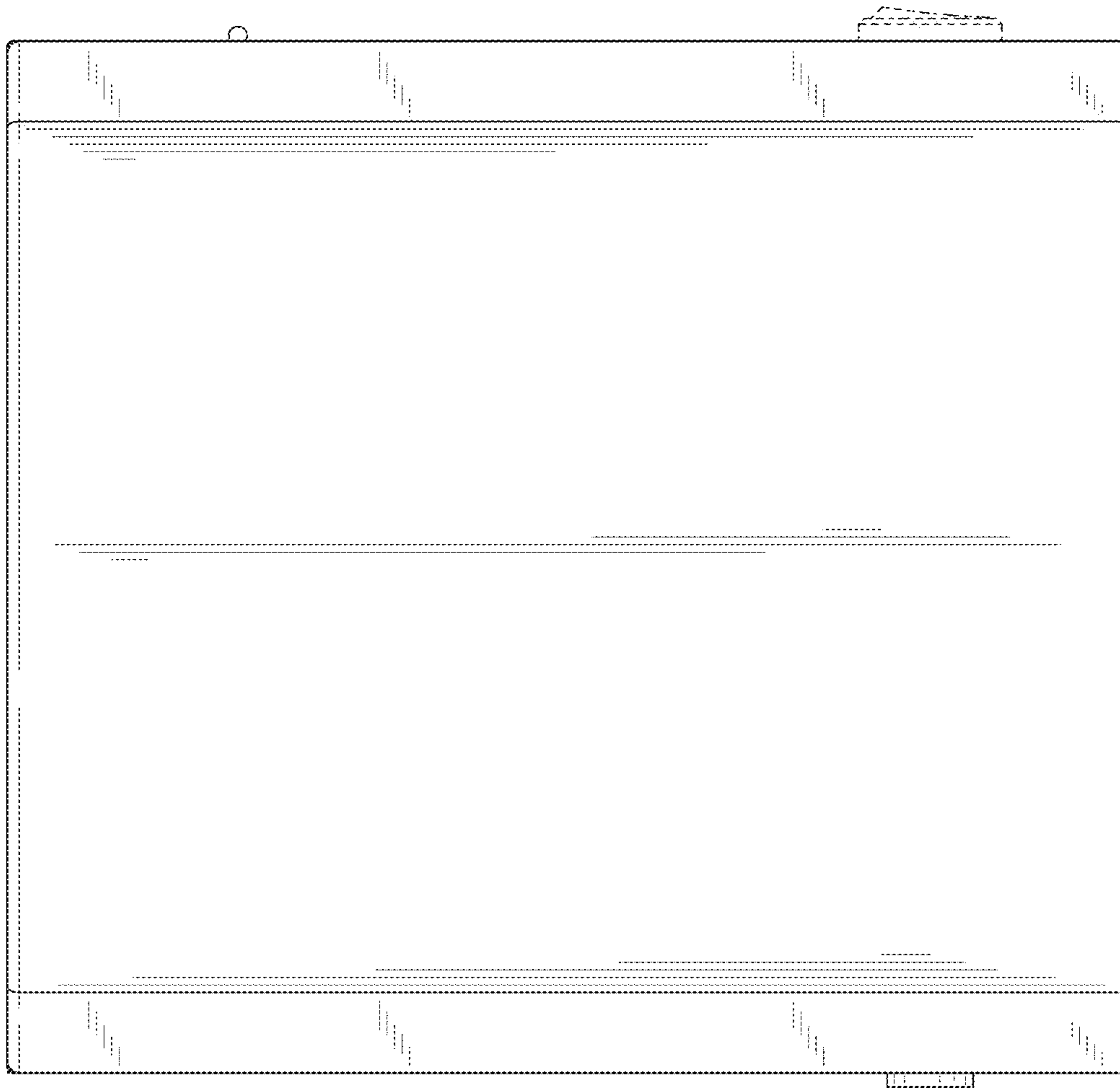


FIG. 6

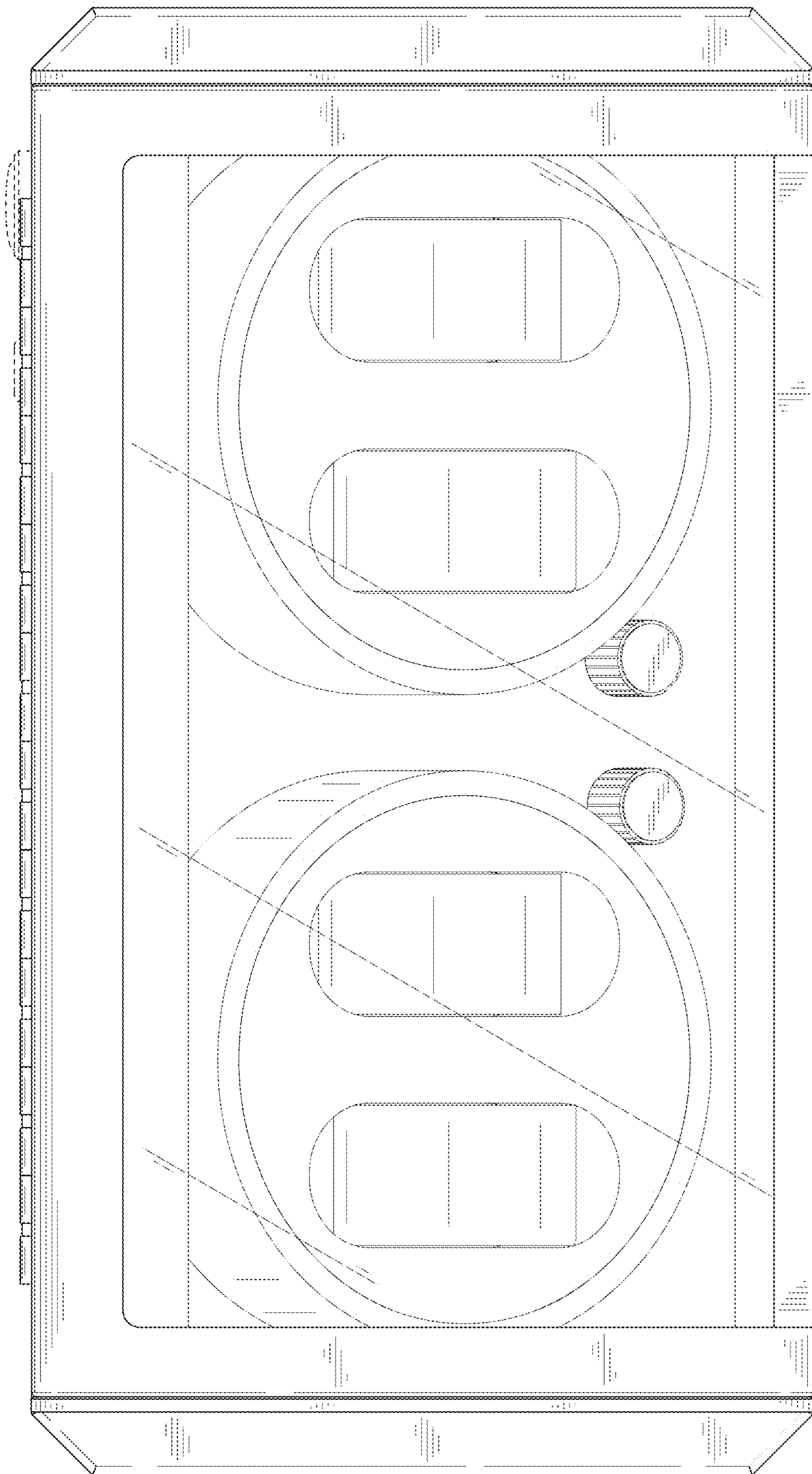


FIG. 7

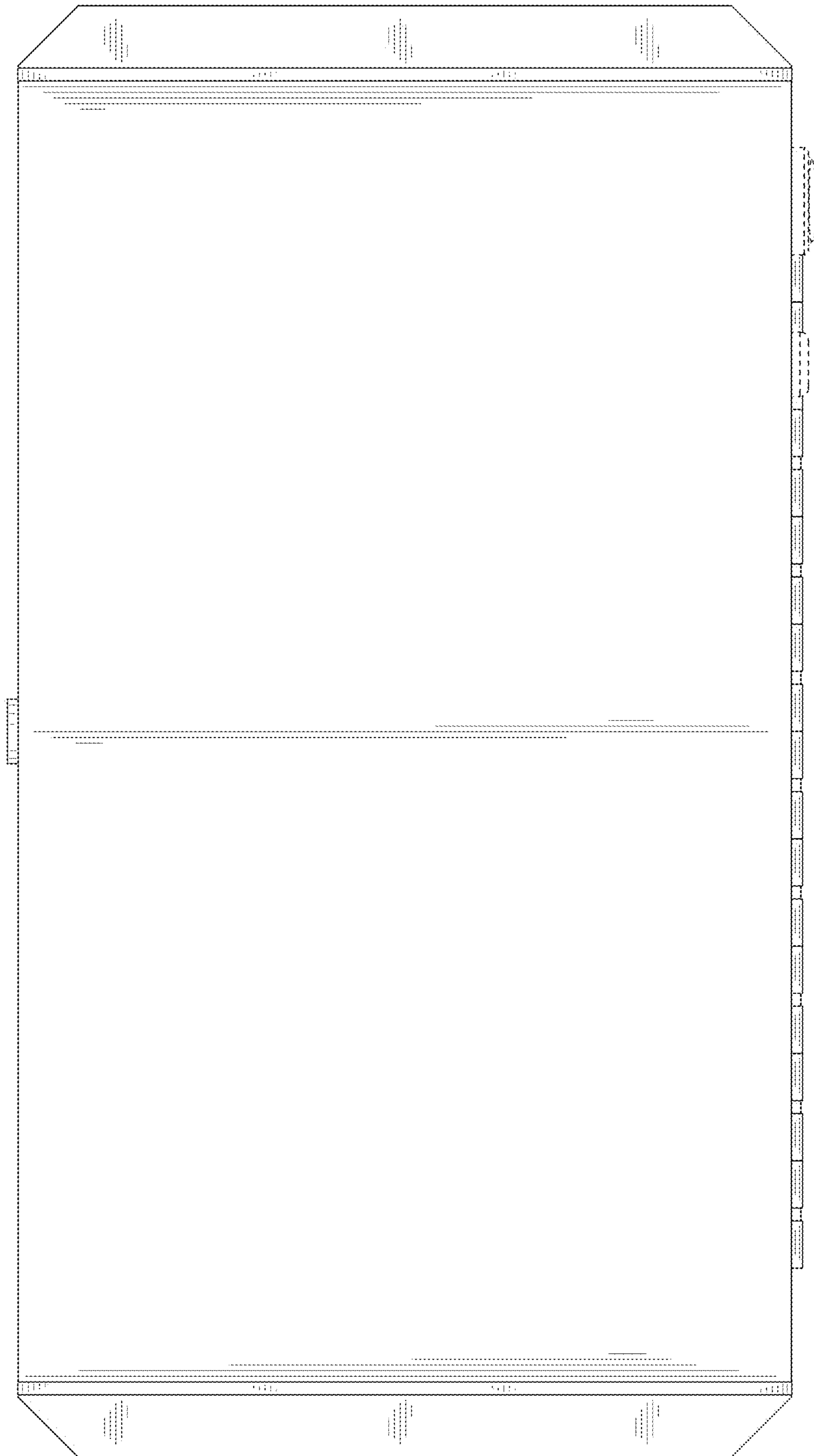


FIG. 8

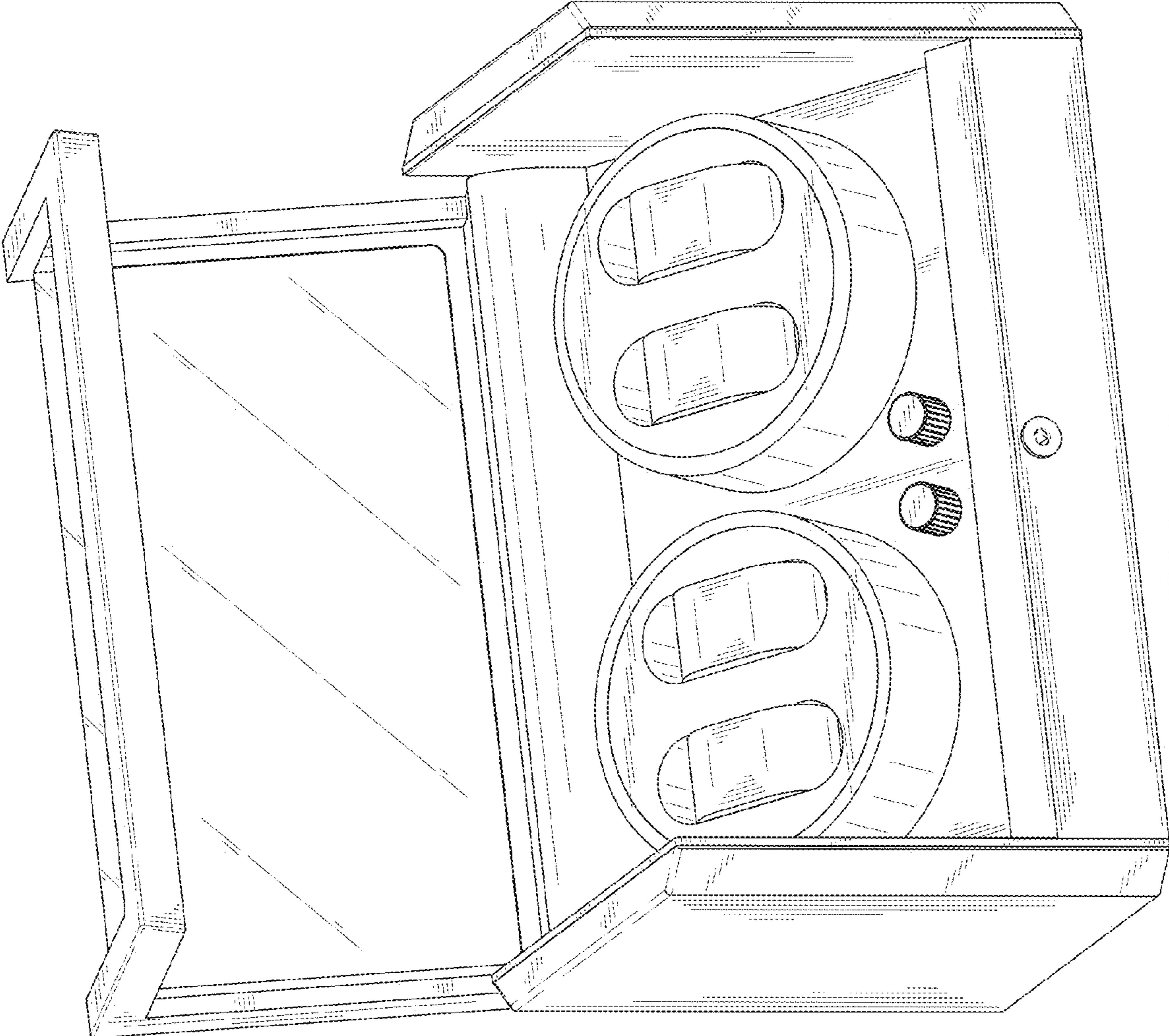


FIG. 9