



US00D955456S

(12) **United States Design Patent**  
**Norman et al.**

(10) **Patent No.:** **US D955,456 S**  
(45) **Date of Patent:** **\*\* Jun. 21, 2022**

- (54) **GARAGE DOOR OPERATOR ACCESSORY**
- (71) Applicant: **The Chamberlain Group LLC**, Oak Brook, IL (US)
- (72) Inventors: **Corey Jevon Norman**, Villa Park, IL (US); **Justin Banker Peart**, Clarendon Hills, IL (US)
- (73) Assignee: **The Chamberlain Group LLC**, Oak Brook, IL (US)
- (\*\*) Term: **15 Years**
- (21) Appl. No.: **29/715,710**
- (22) Filed: **Dec. 4, 2019**
- (51) **LOC (13) Cl.** ..... **15-09**
- (52) **U.S. Cl.**  
USPC ..... **D15/199; D15/148; D13/168**
- (58) **Field of Classification Search**  
USPC ..... D10/104.1, 106.1; D13/168, 184, 199; D14/218, 402-410, 454; D15/148, 199  
CPC ..... E05F 13/04; E05F 15/63; E05Y 2900/106  
See application file for complete search history.

(56) **References Cited**

**U.S. PATENT DOCUMENTS**

D221,859 S *	9/1971	Dercoli .....	D15/199
3,764,874 A *	10/1973	Geoffrey .....	E05F 15/41
			318/266
5,522,638 A *	6/1996	Falcoff .....	B60R 7/04
			224/282
D402,300 S *	12/1998	Doppelt .....	D15/199
D405,424 S	2/1999	Winkler	
D413,867 S	9/1999	Mullet	
D421,031 S *	2/2000	Mullet .....	26/52
D434,054 S *	11/2000	Luke .....	D15/199
D435,835 S	1/2001	Steck	
6,377,173 B1	4/2002	Desai	
D468,756 S *	1/2003	Coullahan .....	D15/148

D469,114 S *	1/2003	Coullahan .....	D15/148
D469,115 S *	1/2003	Coullahan .....	D15/148
6,525,645 B2	2/2003	King	
D477,619 S *	7/2003	Coullahan .....	D15/148
D478,605 S	8/2003	Guzman	
D486,841 S *	2/2004	Reedy .....	D15/199
D490,380 S	5/2004	Coullahan	
D491,208 S *	6/2004	Coullahan .....	D15/148
D492,333 S *	6/2004	Guzman .....	D15/148
D493,477 S *	7/2004	Reedy .....	D15/199

(Continued)

*Primary Examiner* — Patricia A Palasik

(74) *Attorney, Agent, or Firm* — Fitch, Even, Tabin & Flannery LLP

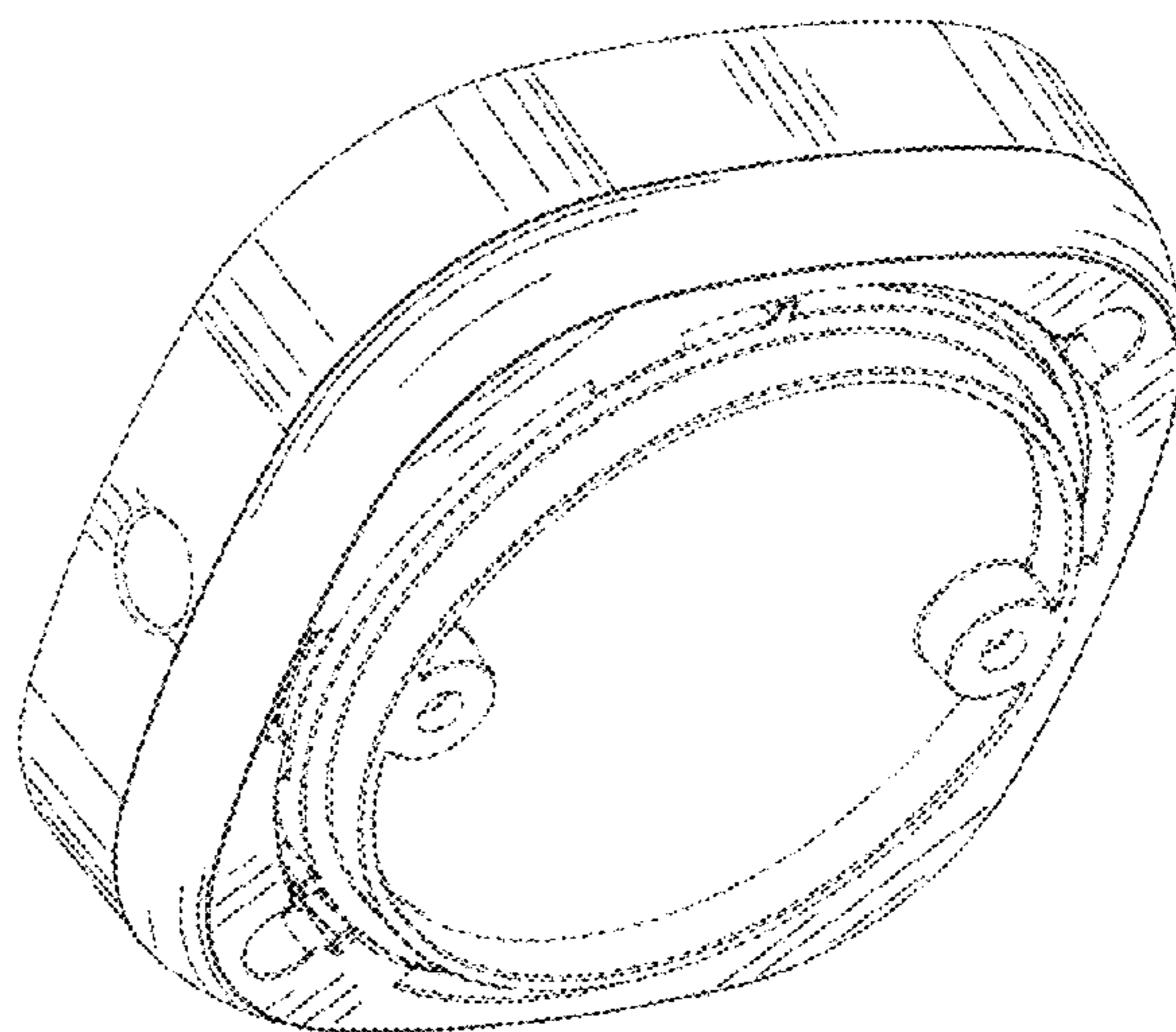
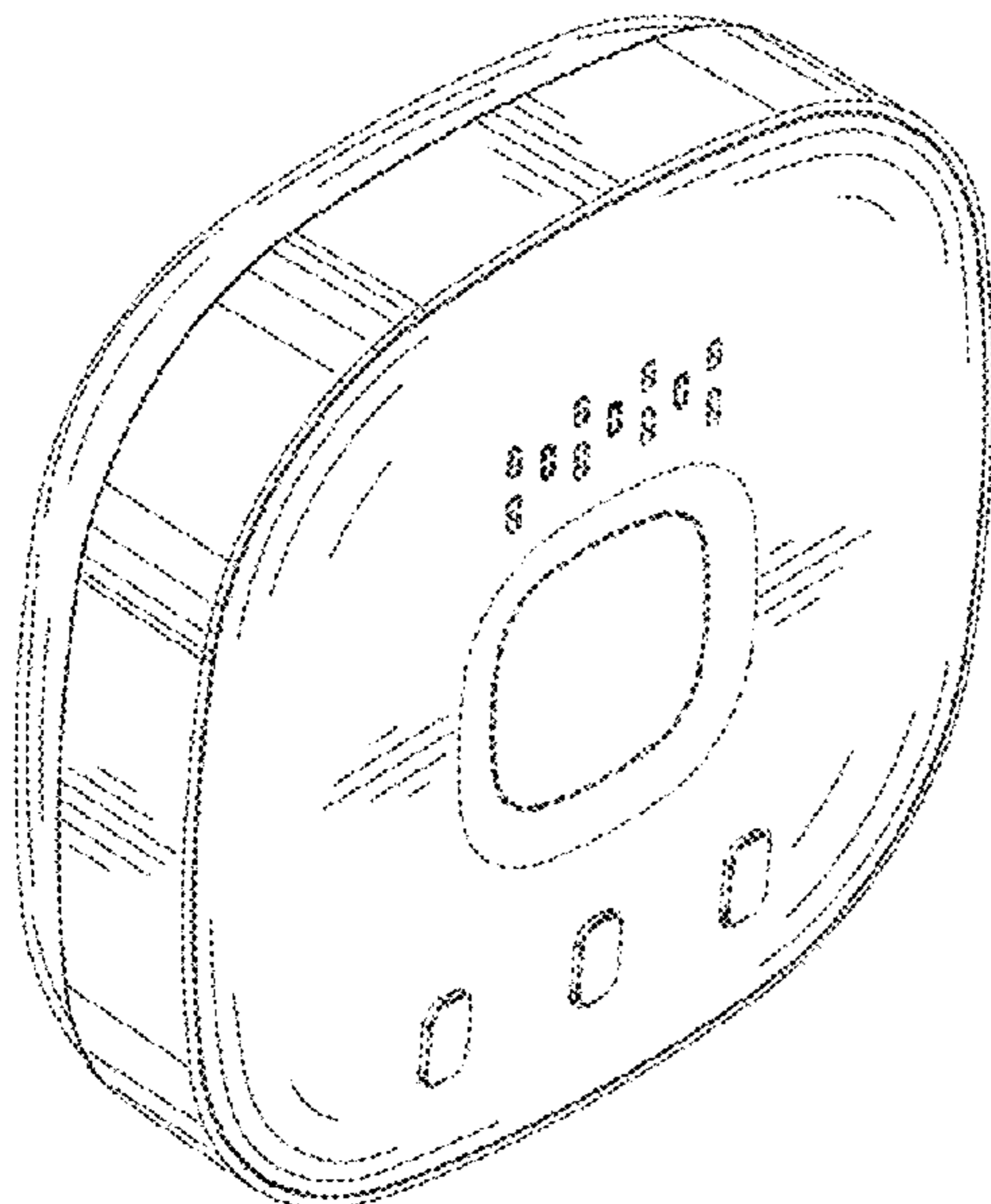
(57) **CLAIM**

We claim the ornamental design for a garage door operator accessory, as shown and described.

**DESCRIPTION**

FIG. 1 is a front perspective view of the garage door operator accessory in accordance with our new design;  
 FIG. 2 is a rear perspective view of the garage door operator accessory of FIG. 1;  
 FIG. 3 is a front elevation view of the garage door operator accessory of FIGS. 1-2;  
 FIG. 4 is a rear elevation view of the garage door operator accessory of FIGS. 1-3;  
 FIG. 5 is a first side elevation view of the garage door operator accessory of FIGS. 1-4;  
 FIG. 6 is a second side elevation view of the garage door operator accessory of FIGS. 1-5;  
 FIG. 7 is a top plan view of the garage door operator accessory of FIGS. 1-6; and,  
 FIG. 8 is a bottom plan view of the garage door operator accessory of FIGS. 1-7.  
 Any portions of the garage door operator accessory shown in broken lines in the figures form no part of the claimed design.

**1 Claim, 6 Drawing Sheets**



(56)

**References Cited**

U.S. PATENT DOCUMENTS

D494,144	S	8/2004	Guzman	
D495,303	S	8/2004	Coullahan	
D500,066	S *	12/2004	Coullahan .....	D15/199
D524,295	S	7/2006	Jacobson	
7,215,238	B2	5/2007	Buck	
D546,295	S	7/2007	Marchetto	
D547,275	S	7/2007	Bonnaud	
D589,497	S	3/2009	Andre	
D592,158	S	5/2009	Peterson	
D613,626	S	4/2010	Wang	
D614,145	S	4/2010	Arosio	
D614,977	S	5/2010	Hollnagel	
D667,382	S	9/2012	Cosentino	
D673,512	S	1/2013	Huang	
D701,496	S	3/2014	Namminga	
D715,228	S	10/2014	Lee	
D722,983	S	2/2015	Paredes	
D741,817	S *	10/2015	Paredes .....	D13/168
D844,685	S *	4/2019	Bresson .....	D15/148
D846,612	S *	4/2019	Baer .....	D15/148
D847,888	S *	5/2019	Baer .....	D15/148
D848,498	S *	5/2019	Baer .....	D15/148
D872,150	S *	1/2020	Abel .....	D15/148
2004/0020612	A1 *	2/2004	Bosio .....	E05F 15/684 160/188
2005/0254194	A1 *	11/2005	Olmsted .....	E05F 15/668 361/115
2013/0063259	A1	3/2013	Kramer	
2013/0176243	A1	7/2013	BianRosa	
2015/0013229	A1 *	1/2015	Shalom .....	E05F 15/668 49/199

\* cited by examiner

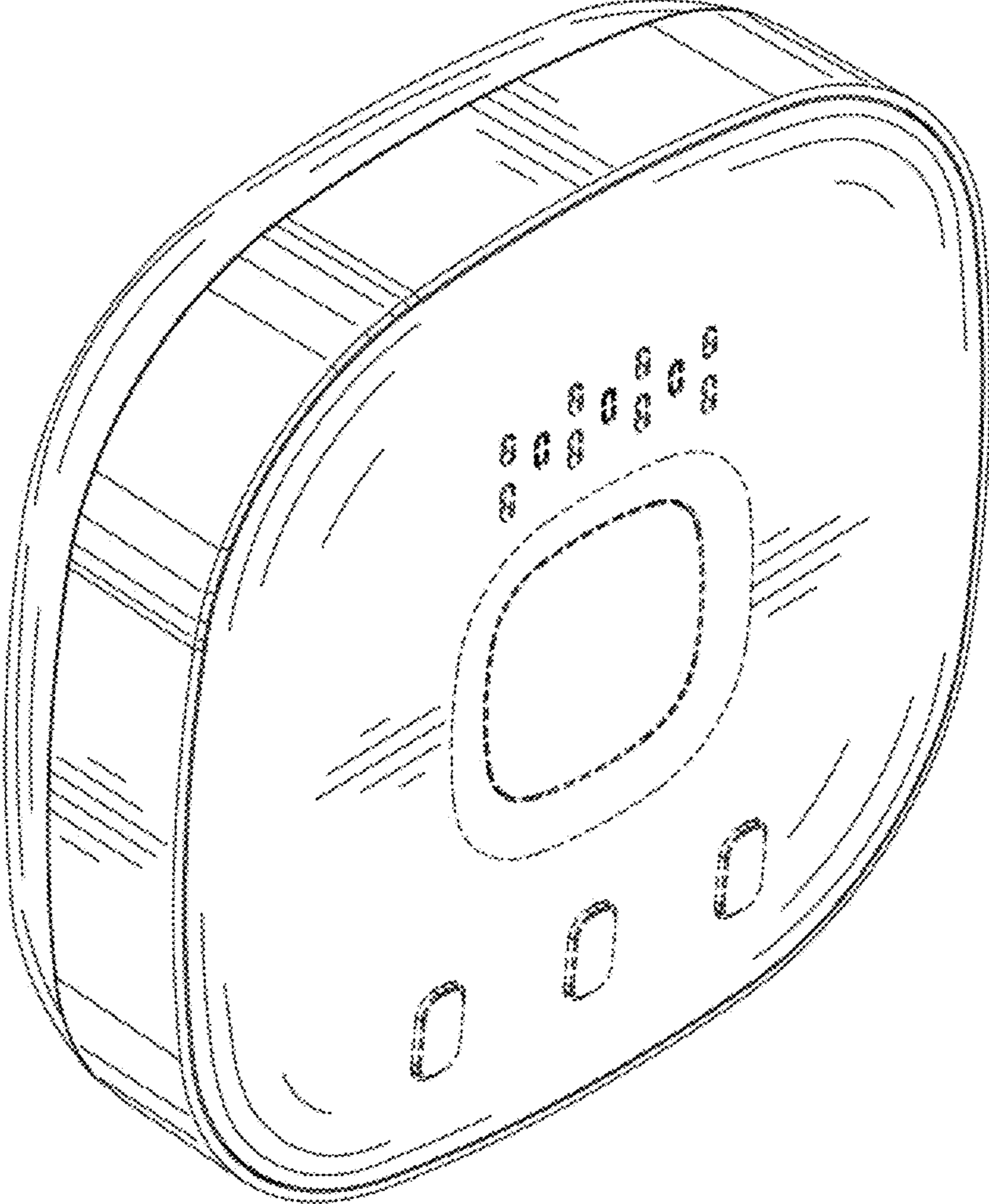


FIG. 1

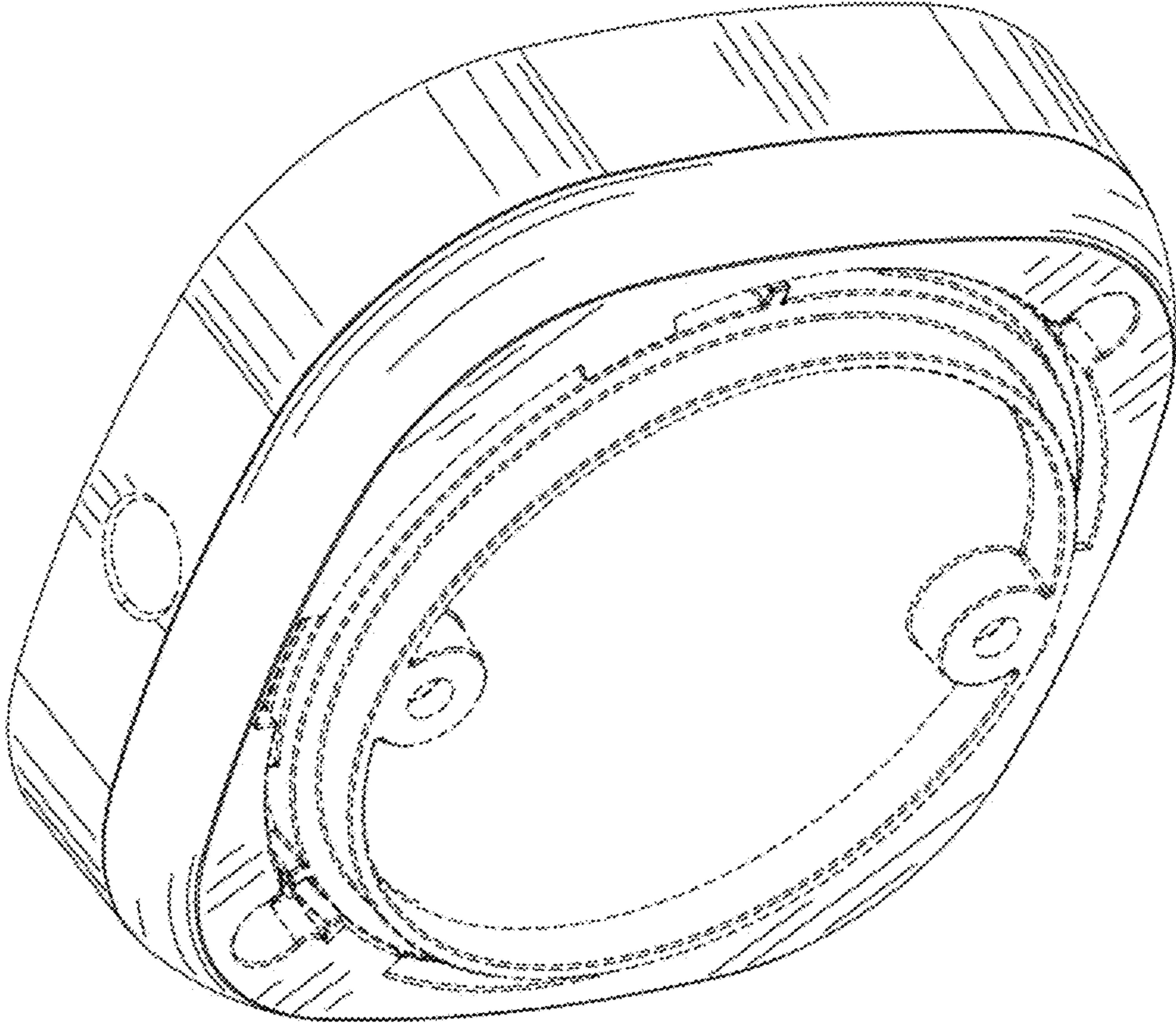


FIG. 2

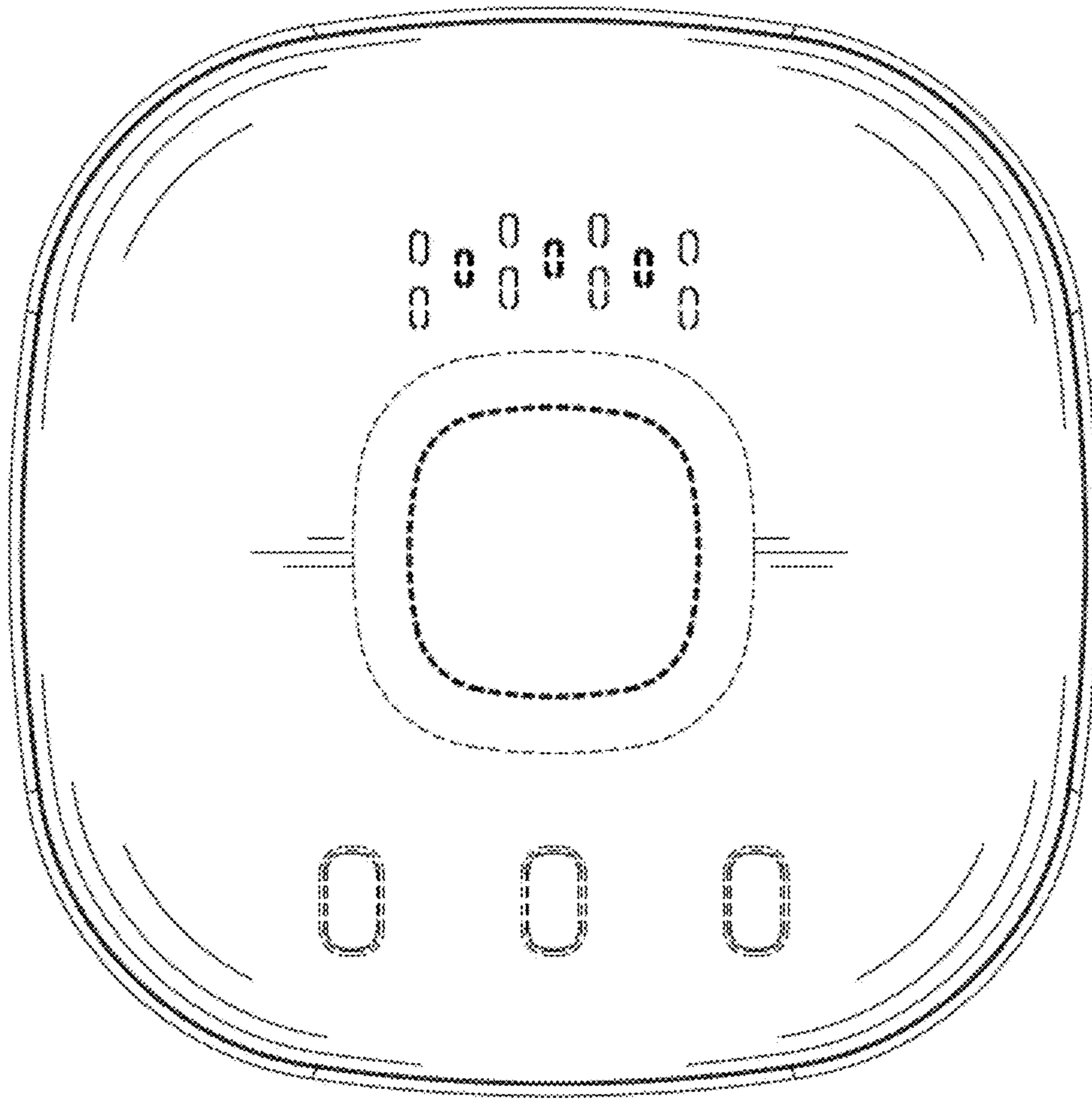


FIG. 3

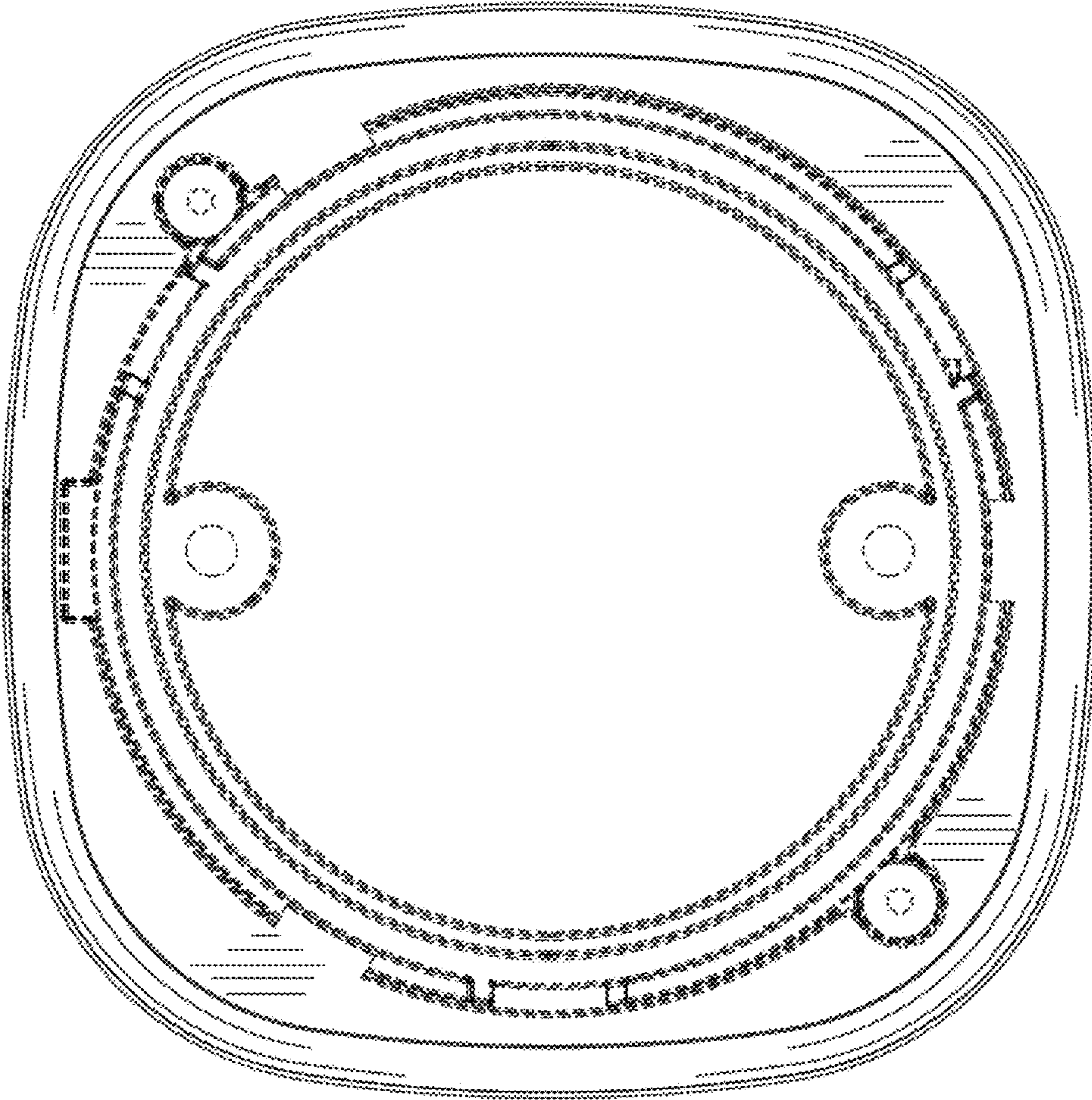


FIG. 4

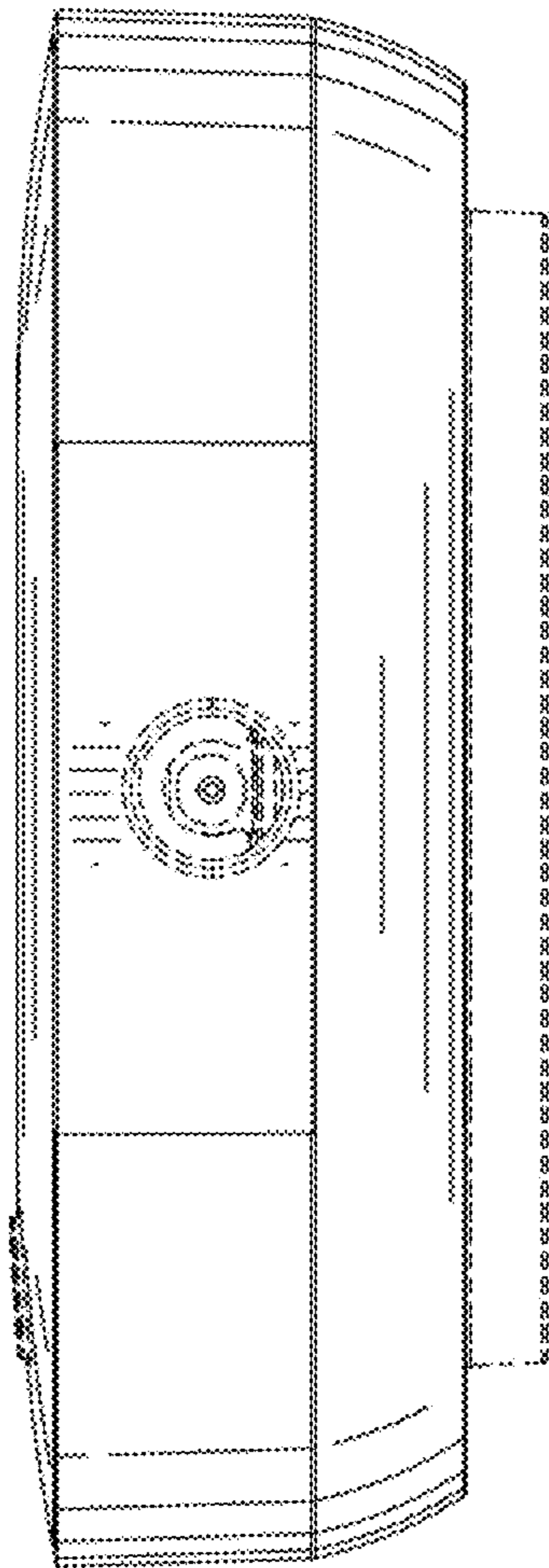


FIG. 5

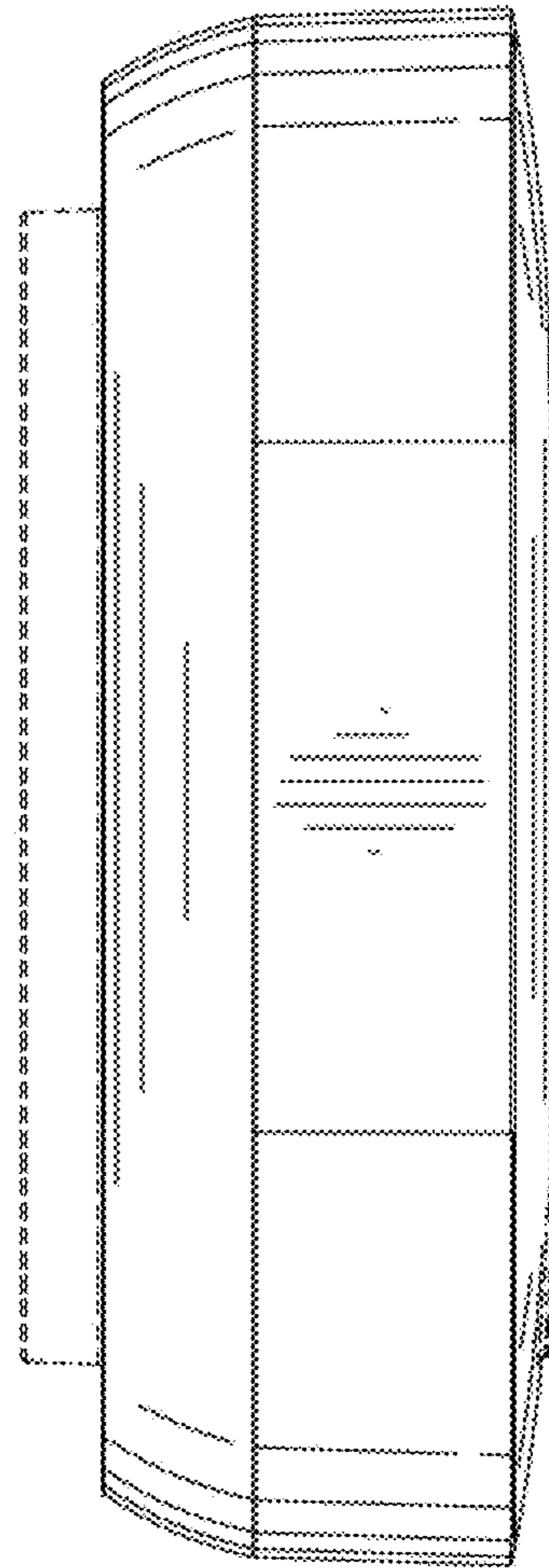


FIG. 6

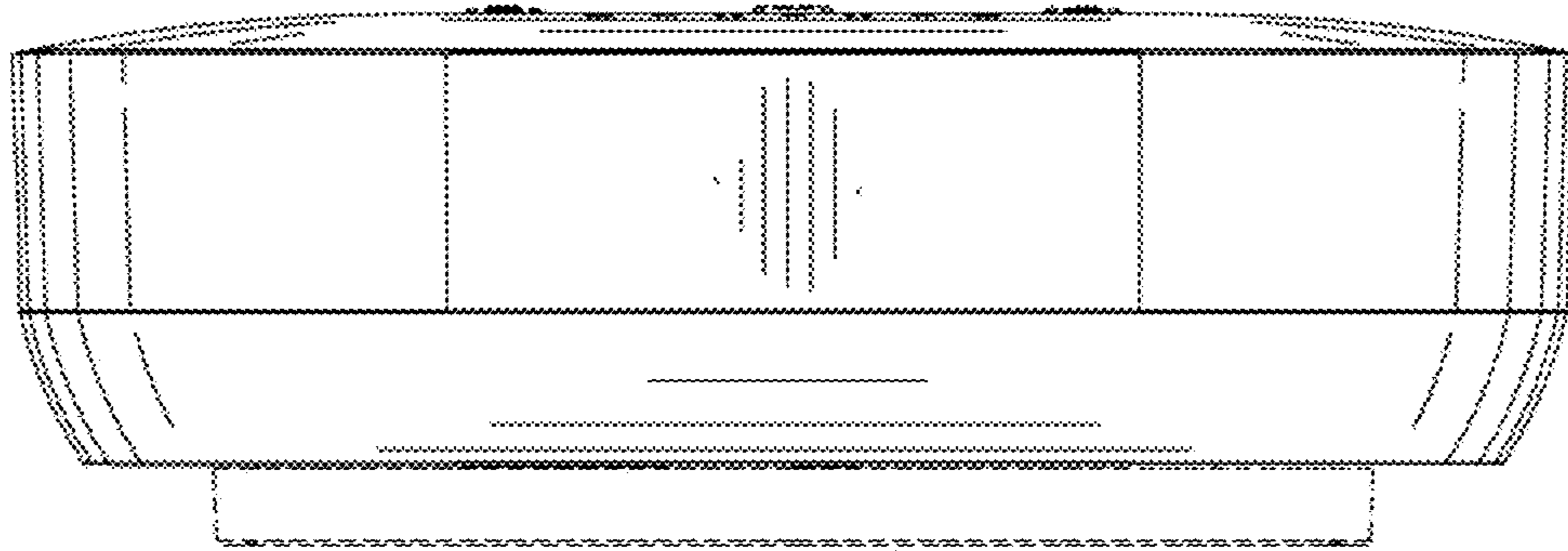


FIG. 7

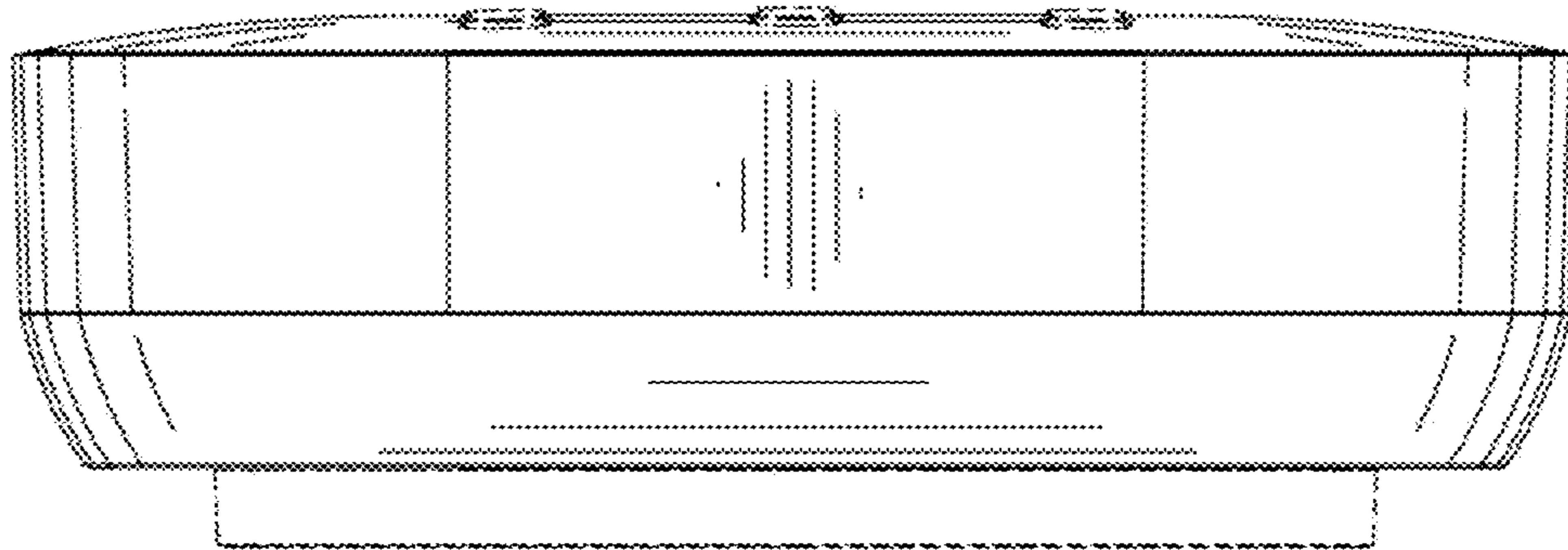


FIG. 8