



US00D955454S

(12) **United States Design Patent** (10) **Patent No.:** **US D955,454 S**
Suarez Iribarne et al. (45) **Date of Patent:** **** Jun. 21, 2022**

(54) **BOTTLE STOPPERING MACHINE**
(71) Applicant: **Noustique Perfumes, S.L.**, Barcelona (ES)
(72) Inventors: **Alvaro Suarez Iribarne**, Barcelona (ES); **Hugo Lasala Alonso**, Saragossa (ES); **Juan Ramón Soler Costa**, Saragossa (ES); **Jesús Ceamanos**, Saragossa (ES); **Pedro Antonio Soler Saez**, Pira (ES)
(73) Assignee: **Noustique Perfumes, S.L.**, Barcelona (ES)

(**) Term: **15 Years**

(21) Appl. No.: **29/685,171**

(22) Filed: **Mar. 27, 2019**

(30) **Foreign Application Priority Data**
Sep. 27, 2018 (EM) 005663184-0001
(51) **LOC (13) Cl.** **15-03**
(52) **U.S. Cl.**
USPC **D15/145**
(58) **Field of Classification Search**
USPC D15/122, 145, 146, 79-91; D9/417, 424, D9/428, 434, 435, 436, 439, 440, 447, D9/448, 454, 455, 456, 500, 502, 504, D9/516, 51, 529, 549, 558
CPC B65B 35/44; B65B 11/004; B65B 11/08; B65B 11/10; B65B 17/025; B65B 21/24; B65B 21/245; B65B 35/16; B65B 35/24; B65B 35/26; B65B 35/405; B65B 3/10; B65B 43/12; B65B 43/126; B65B 49/14; B65B 53/063; B65B 55/10; B65B 63/08; B65B 65/003; B65B 7/16

See application file for complete search history.

(56) **References Cited**
U.S. PATENT DOCUMENTS
D219,120 S 11/1970 Karlson
D298,541 S 11/1988 Sakaki et al.
D330,034 S 10/1992 Edstrom
D361,581 S 8/1995 Hirz
D366,051 S 1/1996 Lewis et al.
D505,436 S * 5/2005 Griggs D15/145
D506,765 S * 6/2005 Gartner D15/145
D508,931 S * 8/2005 Griggs D15/145
D510,944 S * 10/2005 Griggs D15/145
D543,222 S 5/2007 Pester et al.
D618,257 S 6/2010 Hanamure et al.
(Continued)

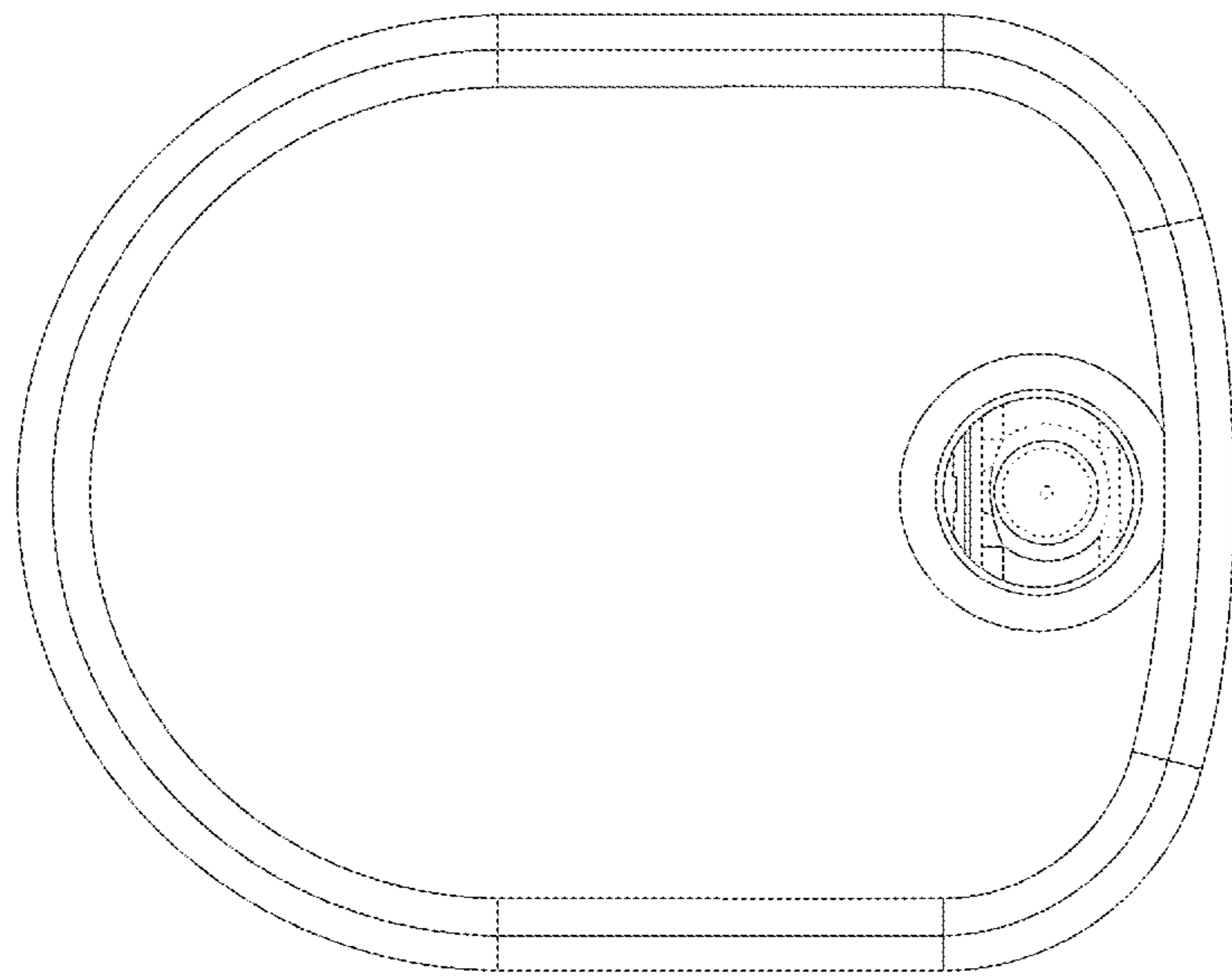
FOREIGN PATENT DOCUMENTS
CN 201430299023.8 4/2015
CN 201430299707.8 4/2015
(Continued)

OTHER PUBLICATIONS
Notice of Allowance dated Sep. 24, 2020 from the US Patent and Trademark Office Re. U.S. Appl. No. 29/685,020. (8 pages).
(Continued)

Primary Examiner — Khawaja Anwar
(57) **CLAIM**
The ornamental design for a bottle stoppering machine, as shown and described.

DESCRIPTION
FIG. 1 is a rear view, showing our new design;
FIG. 2 is a front view thereof;
FIG. 3 is a top view thereof;
FIG. 4 is a side perspective view;
FIG. 5 is a front perspective view thereof;
FIG. 6 is a side view thereof; and,
FIG. 7 is a rear perspective view thereof.

1 Claim, 7 Drawing Sheets



(56)

References Cited

U.S. PATENT DOCUMENTS

D635,601 S 4/2011 Baroncini
D649,570 S * 11/2011 Chen D15/145
D731,568 S 6/2015 Lee
D732,309 S 6/2015 Lisbona Vives
D747,118 S 1/2016 Lisbona Vives
D796,327 S * 9/2017 Walbroel D9/503
D796,328 S * 9/2017 Walbroel D9/503
D810,151 S 2/2018 Wang et al.
D813,574 S 3/2018 Patton
D826,996 S 8/2018 Feng
D886,163 S 6/2020 Yao
D905,771 S 12/2020 Suarez Iribarne et al.
D908,486 S 1/2021 Marantis et al.

FOREIGN PATENT DOCUMENTS

EP 004497303-0001 11/2017
EP D100854 5/2018

OTHER PUBLICATIONS

Official Action dated Mar. 16, 2021 from the US Patent and
Trademark Office Re. U.S. Appl. No. 29/685,042. (10 pages).
Official Action dated Mar. 16, 2021 from the US Patent and
Trademark Office Re. U.S. Appl. No. 29/685,043. (12 pages).

* cited by examiner

FIG 1

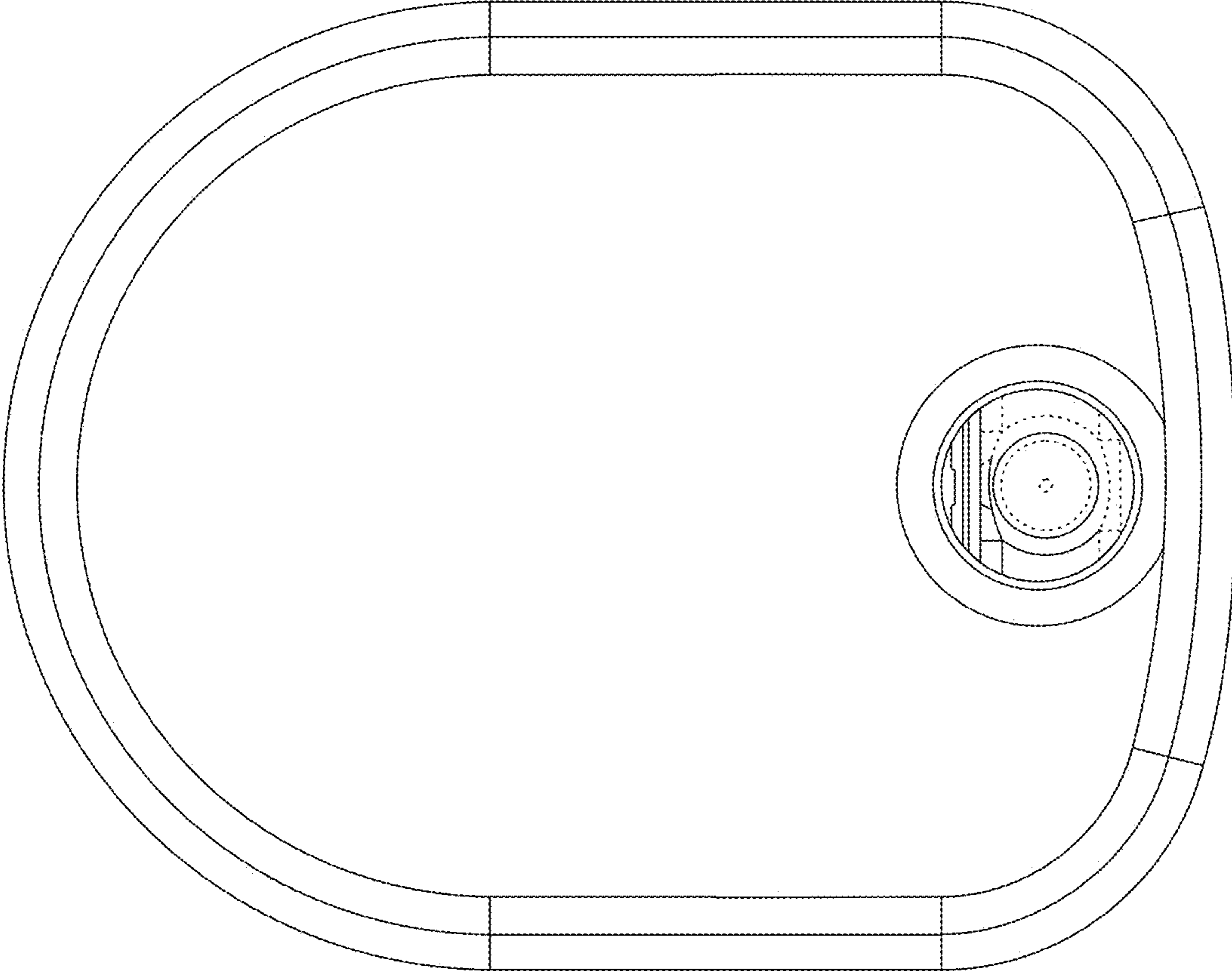


FIG 2

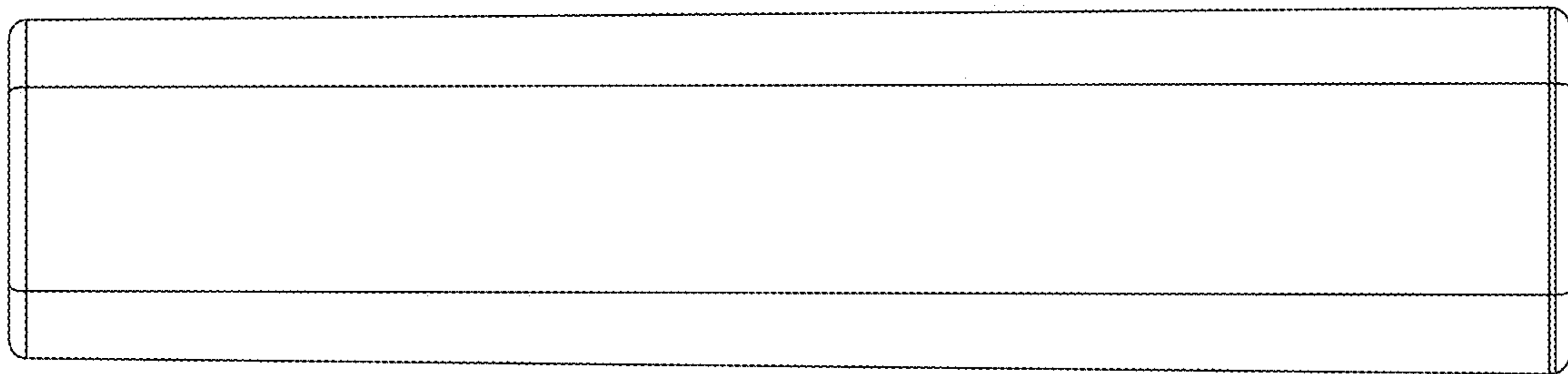


FIG 3

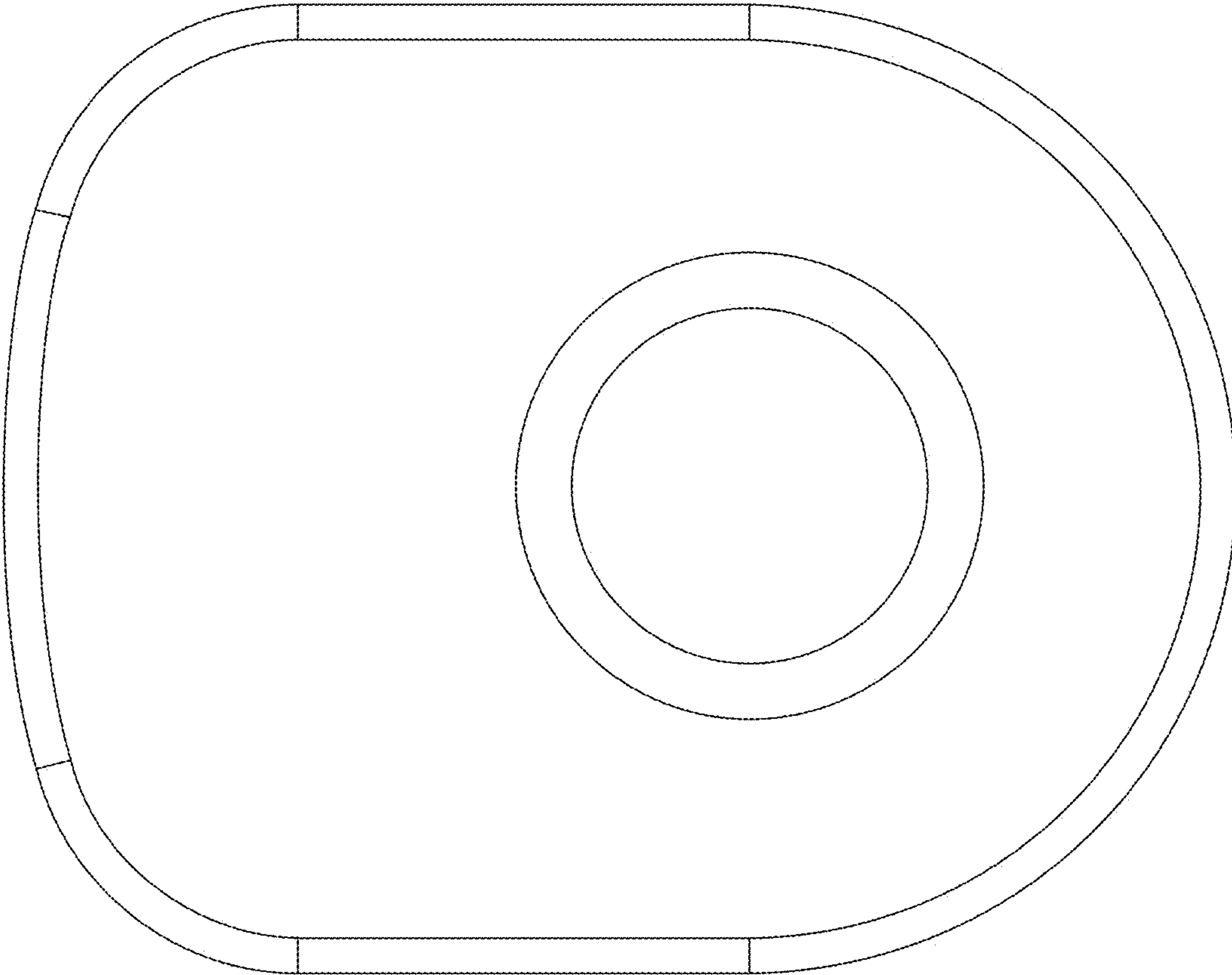


FIG 4

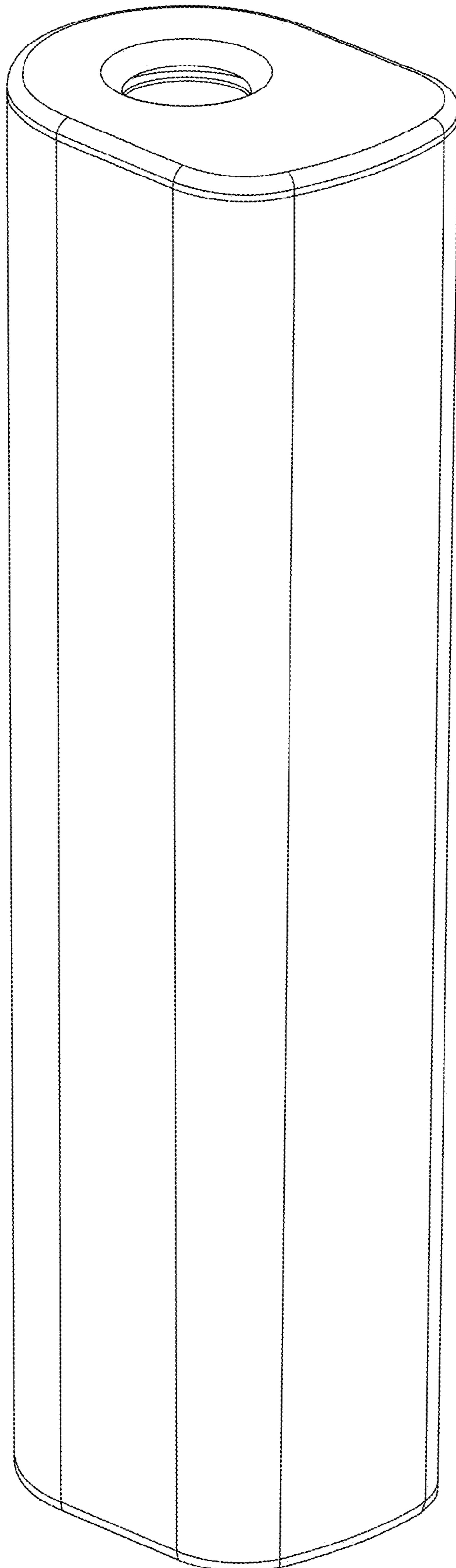


FIG 5

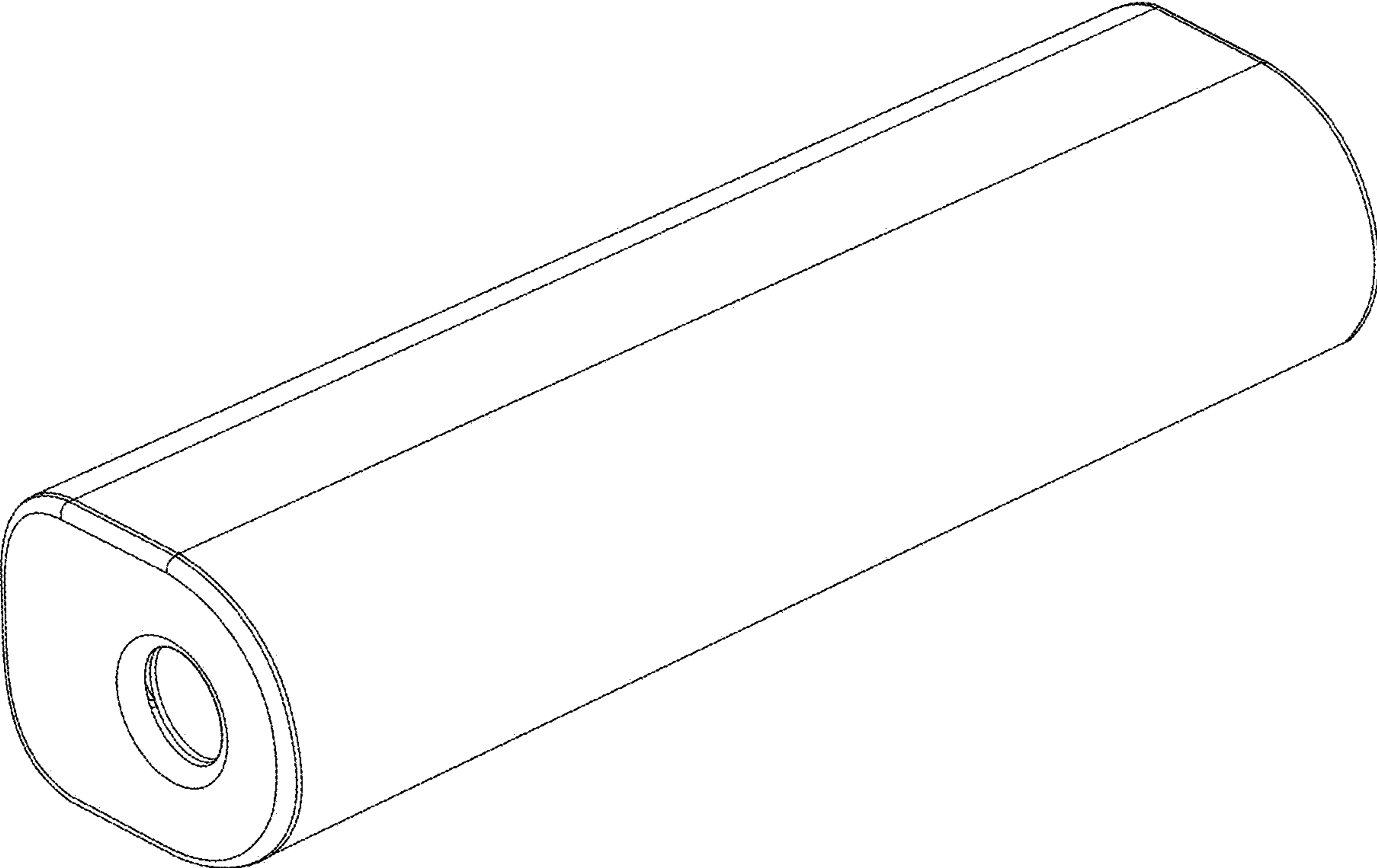


FIG 6

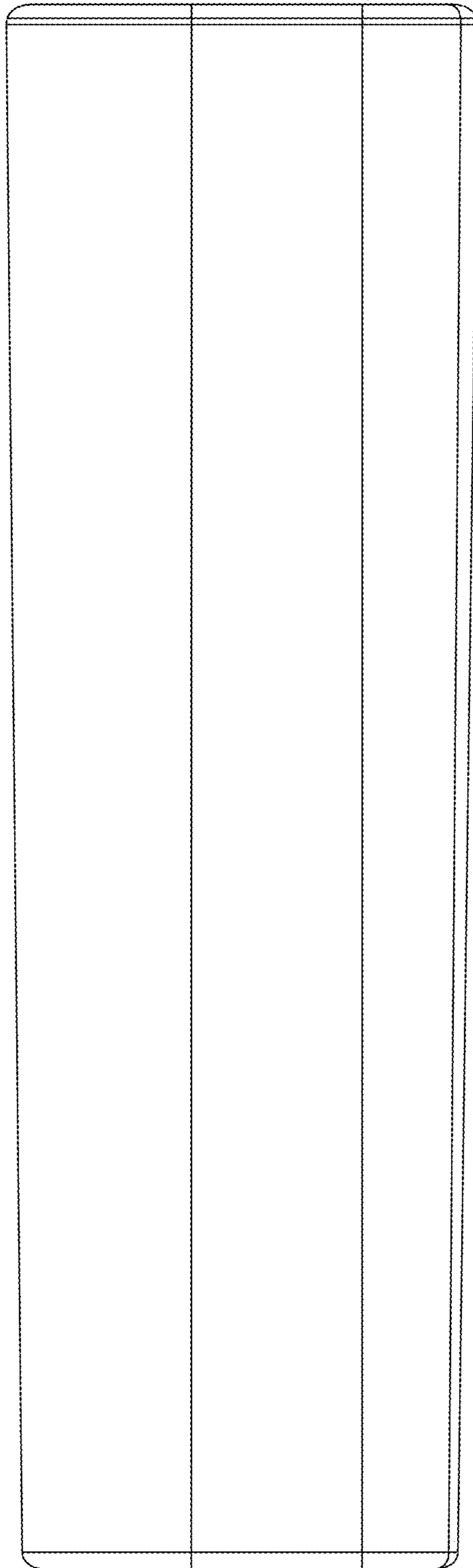


FIG 7

