



US00D955453S

(12) **United States Design Patent**  
**Sweitzer et al.**

(10) **Patent No.:** **US D955,453 S**  
(45) **Date of Patent:** **\*\* Jun. 21, 2022**

- (54) **DRILL BIT**
- (71) Applicant: **Shukla Medical**, St. Petersburg, FL  
(US)
- (72) Inventors: **Zachary Robert Sweitzer**, Keyport, NJ  
(US); **Adam Gosik-Wolfe**, Tampa, FL  
(US)
- (73) Assignee: **Shukla Medical**, St. Petersburg, FL  
(US)
- (\*\*) Term: **15 Years**
- (21) Appl. No.: **29/753,597**
- (22) Filed: **Oct. 1, 2020**
- (51) **LOC (13) Cl.** ..... **15-09**
- (52) **U.S. Cl.**  
USPC ..... **D15/139**
- (58) **Field of Classification Search**  
USPC ..... D8/20, 70; D15/126, 131, 138, 139, 140  
CPC ..... B27G 15/00; Y10T 408/902; Y10T  
408/9097; Y10T 408/90467  
See application file for complete search history.

- 7,278,342 B1 \* 10/2007 Chang ..... F16D 3/20  
81/177.85
- 7,316,404 B1 \* 1/2008 Walker ..... B23B 31/1253  
279/60
- D656,611 S \* 3/2012 Garcia ..... D15/139
- D656,612 S \* 3/2012 Garcia ..... D15/139
- 8,366,356 B2 \* 2/2013 Novak ..... B23B 51/0473  
408/239 R
- RE46,103 E \* 8/2016 Novak ..... B23B 51/04
- D806,147 S \* 12/2017 Inkster ..... D15/131
- D811,843 S \* 3/2018 Matsui ..... D8/70
- 10,532,412 B2 \* 1/2020 Ward ..... B23B 51/0426
- 10,562,109 B2 \* 2/2020 Hammond, Jr. .... B23B 51/06
- D881,666 S \* 4/2020 Andersson ..... D8/86
- 10,723,041 B2 \* 7/2020 Wang ..... B28D 1/146
- 10,821,522 B2 \* 11/2020 Giffin ..... A45F 5/021
- D903,454 S \* 12/2020 Kuhns ..... D8/70
- 11,007,582 B2 \* 5/2021 Lee ..... B23B 49/005
- 2004/0093997 A1 \* 5/2004 Huang ..... B25B 15/001  
81/125

(Continued)

*Primary Examiner* — Patricia A Palasik  
(74) *Attorney, Agent, or Firm* — Kim IP Law Group LLC

(57) **CLAIM**

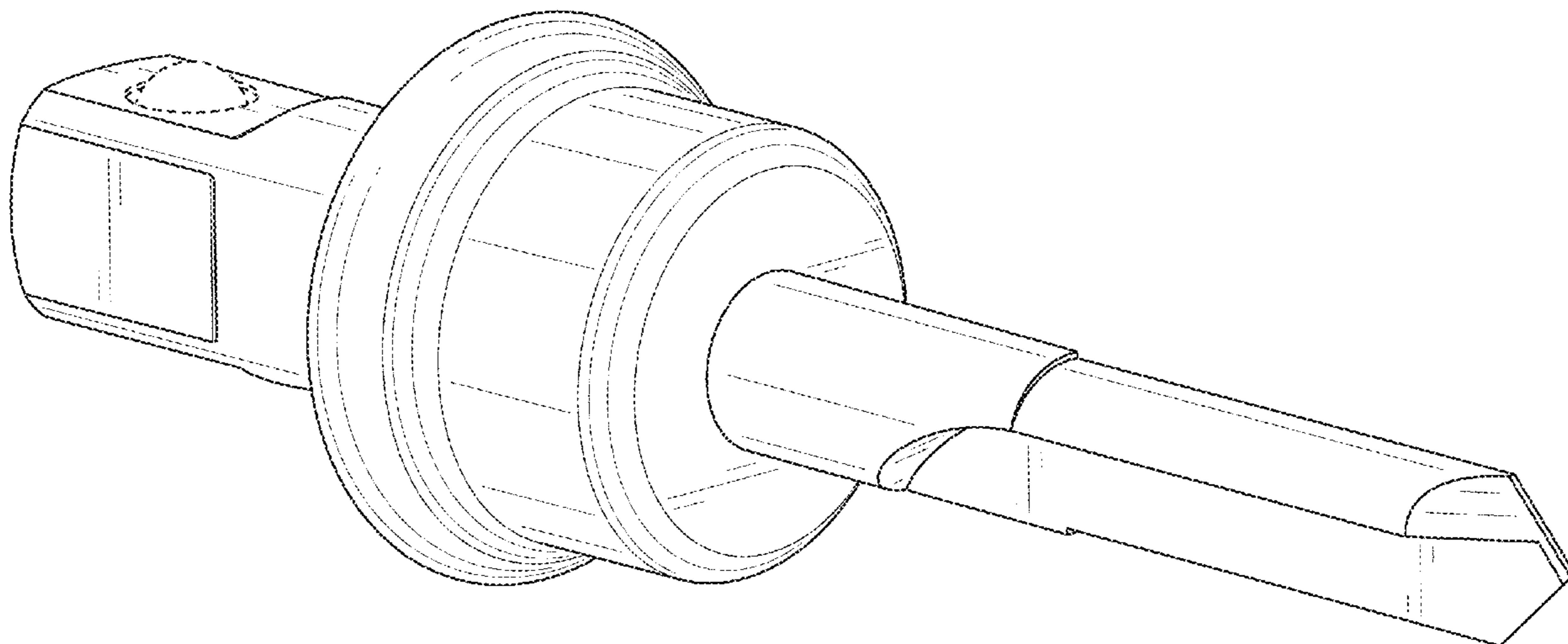
The ornamental design for a drill bit, as shown and described.

**DESCRIPTION**

FIG. 1 is a perspective view of a drill bit in accordance with the new design;  
FIG. 2 is a front view of the drill bit of FIG. 1;  
FIG. 3 is a rear view of the drill bit of FIG. 1;  
FIG. 4 is a left side view of the drill bit of FIG. 1;  
FIG. 5 is a right side view of the drill bit of FIG. 1;  
FIG. 6 is a top view of the drill bit of FIG. 1; and,  
FIG. 7 is a bottom view of the drill bit of FIG. 1.  
In the drawings, the broken lines illustrate portions of the drill bit that form no part of the claimed design.

**1 Claim, 6 Drawing Sheets**

- (56) **References Cited**
- U.S. PATENT DOCUMENTS
- 3,999,869 A \* 12/1976 Clark ..... B23B 31/005  
403/3
- D244,279 S \* 5/1977 Ponemon ..... 279/900
- D273,077 S \* 3/1984 Bell ..... D8/70
- 4,629,375 A \* 12/1986 Lieser ..... B25B 23/0035  
408/239 R
- D289,405 S \* 4/1987 Nystrom ..... D15/138
- D330,207 S \* 10/1992 Andrews ..... D15/140
- 6,082,233 A \* 7/2000 Han ..... B25B 15/005  
81/453
- 6,382,636 B1 \* 5/2002 Walker ..... B23B 31/1253  
279/140
- 6,637,755 B2 \* 10/2003 Chen ..... B25B 23/0057  
279/22



(56)

**References Cited**

U.S. PATENT DOCUMENTS

2008/0184854 A1\* 8/2008 Peters ..... B25B 15/001  
81/451  
2011/0167966 A1\* 7/2011 Liu ..... B25B 13/06  
81/177.8  
2011/0215538 A1\* 9/2011 Cornwell ..... B23B 31/107  
279/82  
2012/0099943 A1\* 4/2012 Chiu ..... F16B 5/0208  
411/347  
2012/0272795 A1\* 11/2012 Chen ..... B25B 23/12  
81/177.75  
2013/0220086 A1\* 8/2013 Peters ..... B23B 31/10  
279/140  
2015/0260216 A1\* 9/2015 Tseng ..... F16B 39/02  
411/103  
2015/0292538 A1\* 10/2015 He ..... F16B 5/0208  
411/166

\* cited by examiner

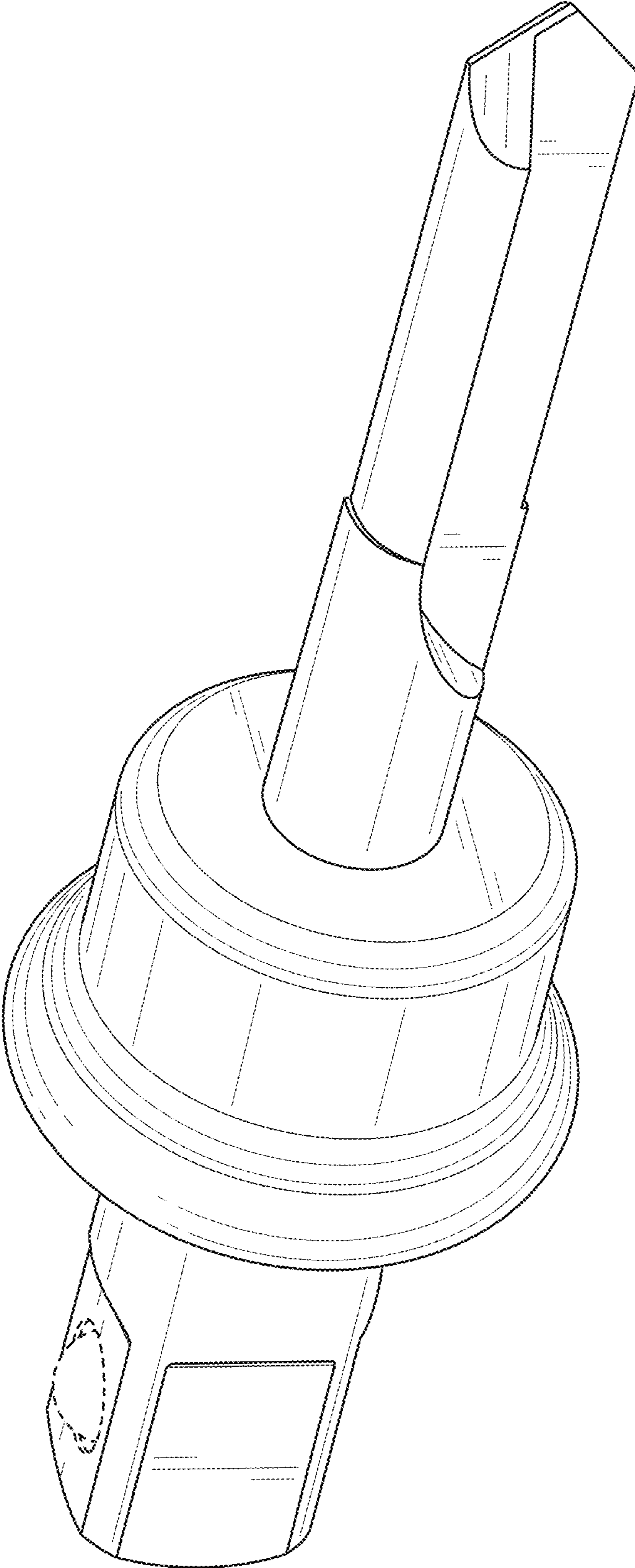


FIG. 1

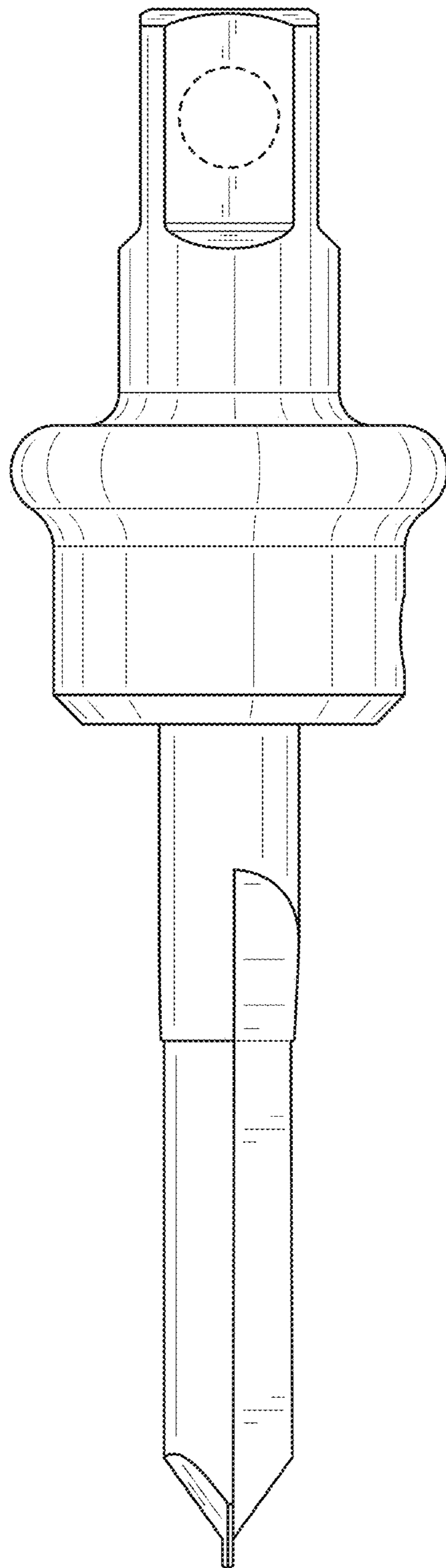


FIG. 2

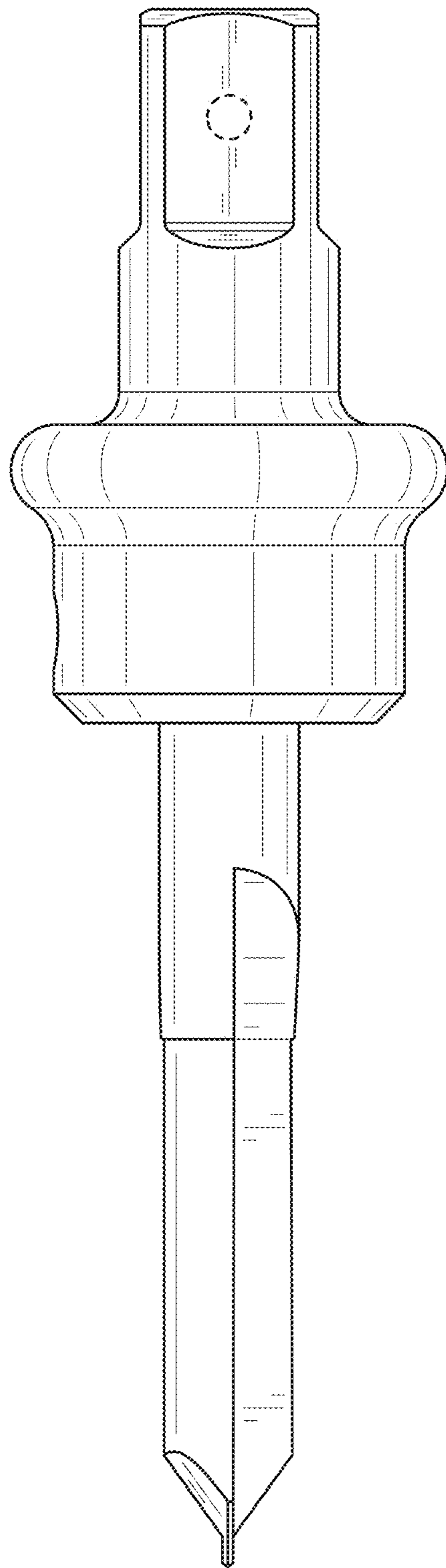


FIG. 3

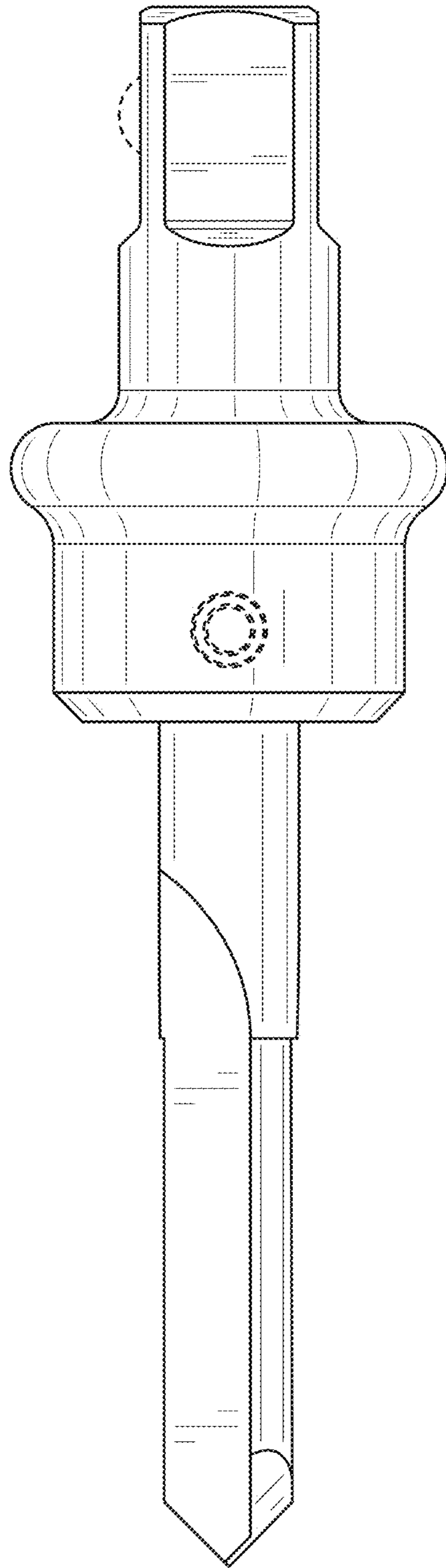


FIG. 4



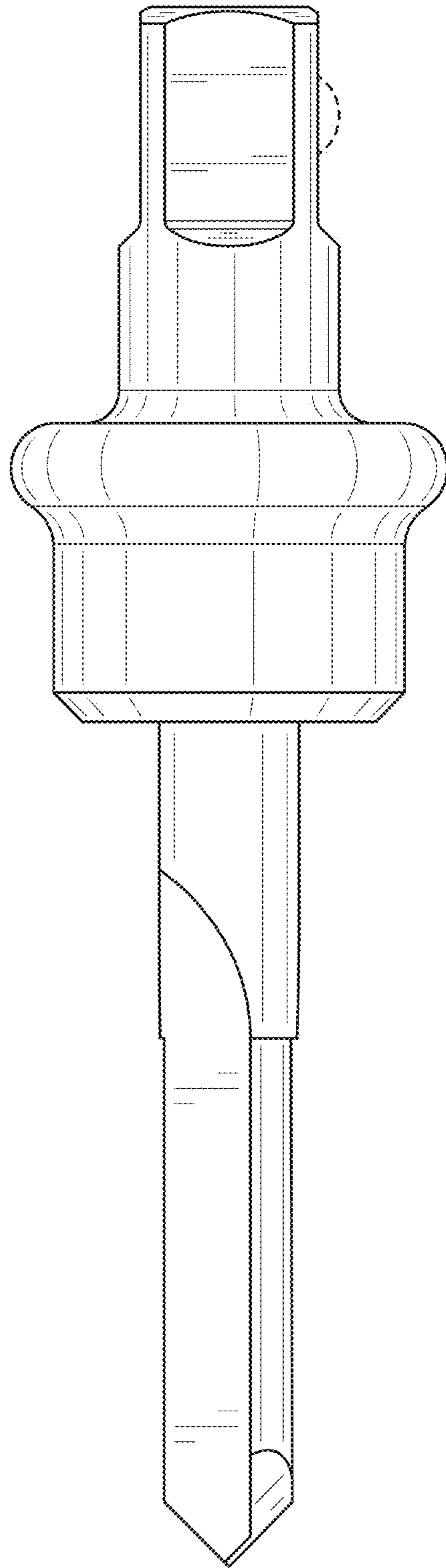


FIG. 5

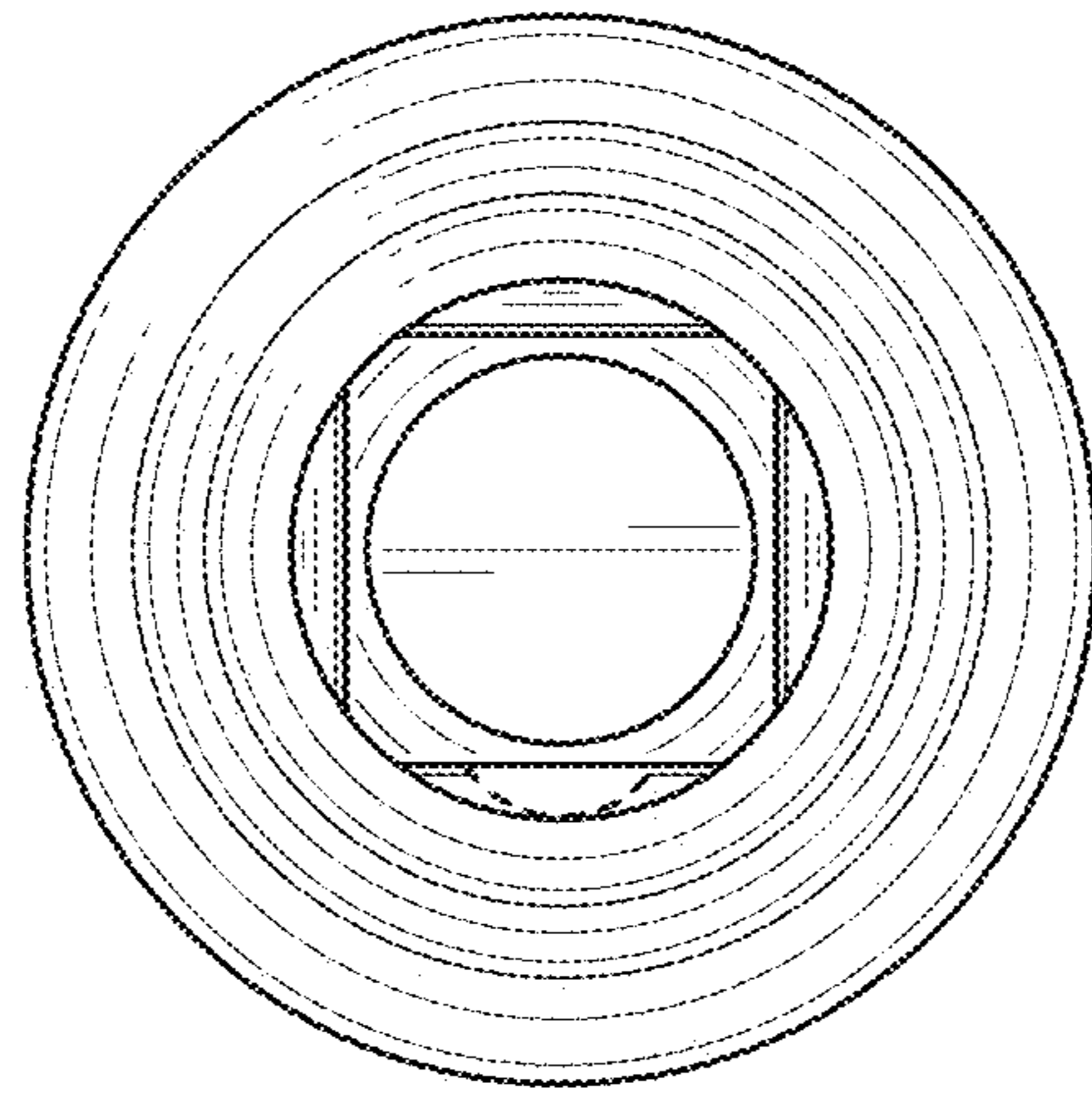


FIG. 6

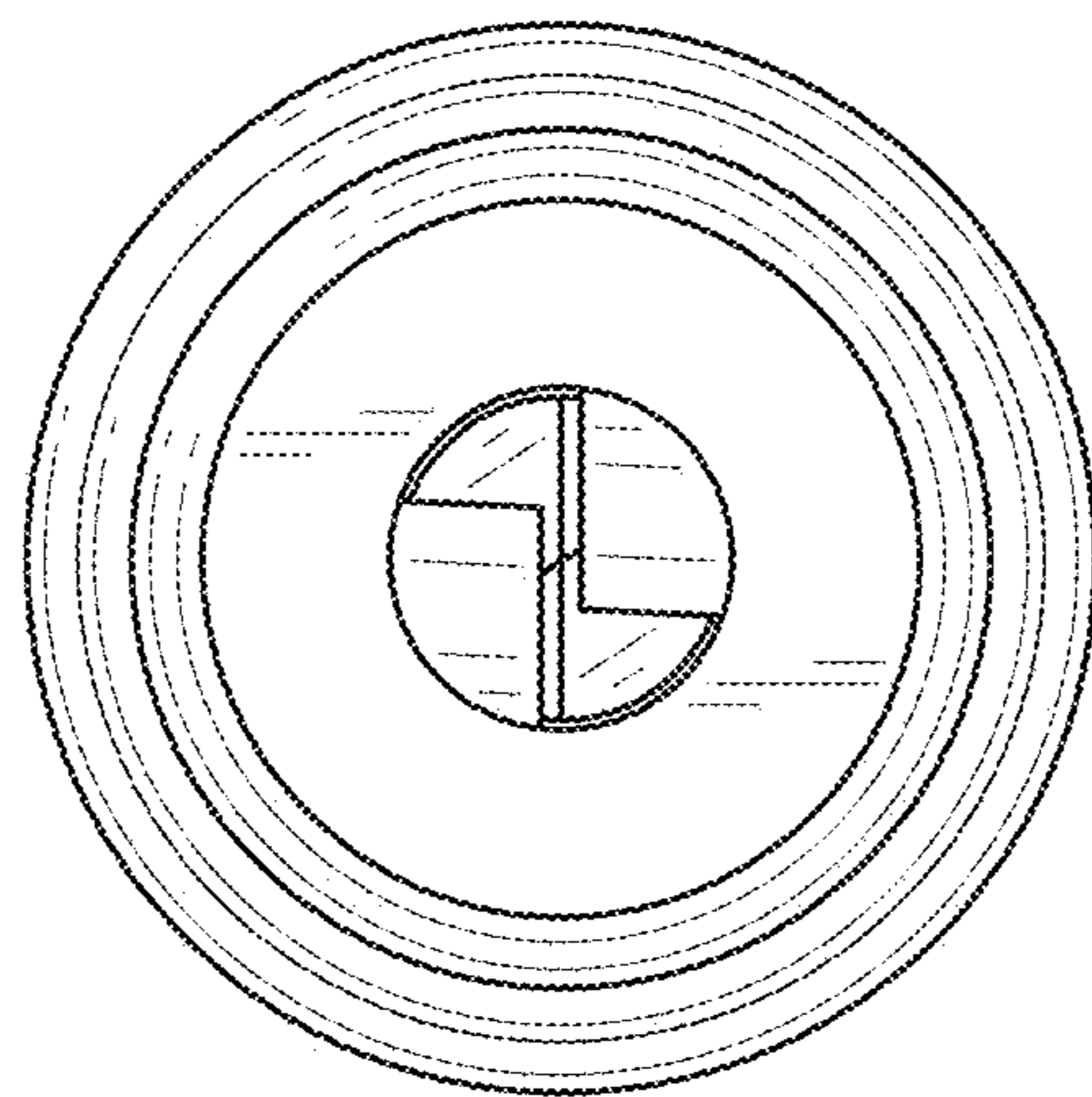


FIG. 7