



US00D955452S

(12) **United States Design Patent** (10) **Patent No.:** **US D955,452 S**
Farris et al. (45) **Date of Patent:** **** Jun. 21, 2022**

(54) **PEN MILL CUTTER HEAD**
(71) Applicant: **Woodpeckers, LLC**, Strongsville, OH (US)
(72) Inventors: **Jeffery E. Farris**, Medina, OH (US);
Paul E. Turley, Amherst, OH (US)
(73) Assignee: **WOODPECKERS, LLC**, Strongsville, OH (US)

4,218,163 A 8/1980 Druschel
4,315,706 A 2/1982 Erkfritz
4,563,113 A * 1/1986 Ebenhoch B23B 51/00
408/199
5,180,260 A 1/1993 Phillips, Sr.
D376,807 S * 12/1996 Satran D15/139
D477,515 S 7/2003 Winivis
D526,669 S * 8/2006 McCoppin D15/139
7,402,040 B2 7/2008 Turri

(Continued)

(**) Term: **15 Years**
(21) Appl. No.: **29/701,495**

FOREIGN PATENT DOCUMENTS

CN 109396503 3/2019
DE 102006016290 10/2007

(22) Filed: **Aug. 12, 2019**
(51) **LOC (13) Cl.** **15-09**
(52) **U.S. Cl.**
USPC **D15/139**
(58) **Field of Classification Search**
USPC D15/139; D8/70, 86; D24/146, 152
CPC B23B 27/007; B23B 2200/165; B23B
2200/85; B23B 2200/125; B23B 2205/16;
B23B 2210/02; B23B 2220/04; B23B
2222/16; B23B 2226/125; B23B 2226/18;
B23B 2226/27; B23B 2226/275; B23B
2226/315; B23B 2250/12; B23B 2251/50;
B23B 2260/004; B23B 27/1611; B23B
29/02; B23B 5/167; B23B 51/00; B23B
51/06; B23B 51/107; B23C 3/055; B23C
5/109; B23C 5/20; B23C 5/202; B23C
5/28

OTHER PUBLICATIONS

Woodcraft, www.woodcraft.com, Whiteside—Pen Mill Set, retrieved from the Internet on Nov. 28, 2018, 5 pages.
English translation of CN 109396503 A 2019.

Primary Examiner — Nathaniel D. Buckner
(74) *Attorney, Agent, or Firm* — Sand, Sebolt & Wernow Co., LPA

See application file for complete search history.

(57) **CLAIM**

The ornamental design for a pen mill cutter head, as shown and described.

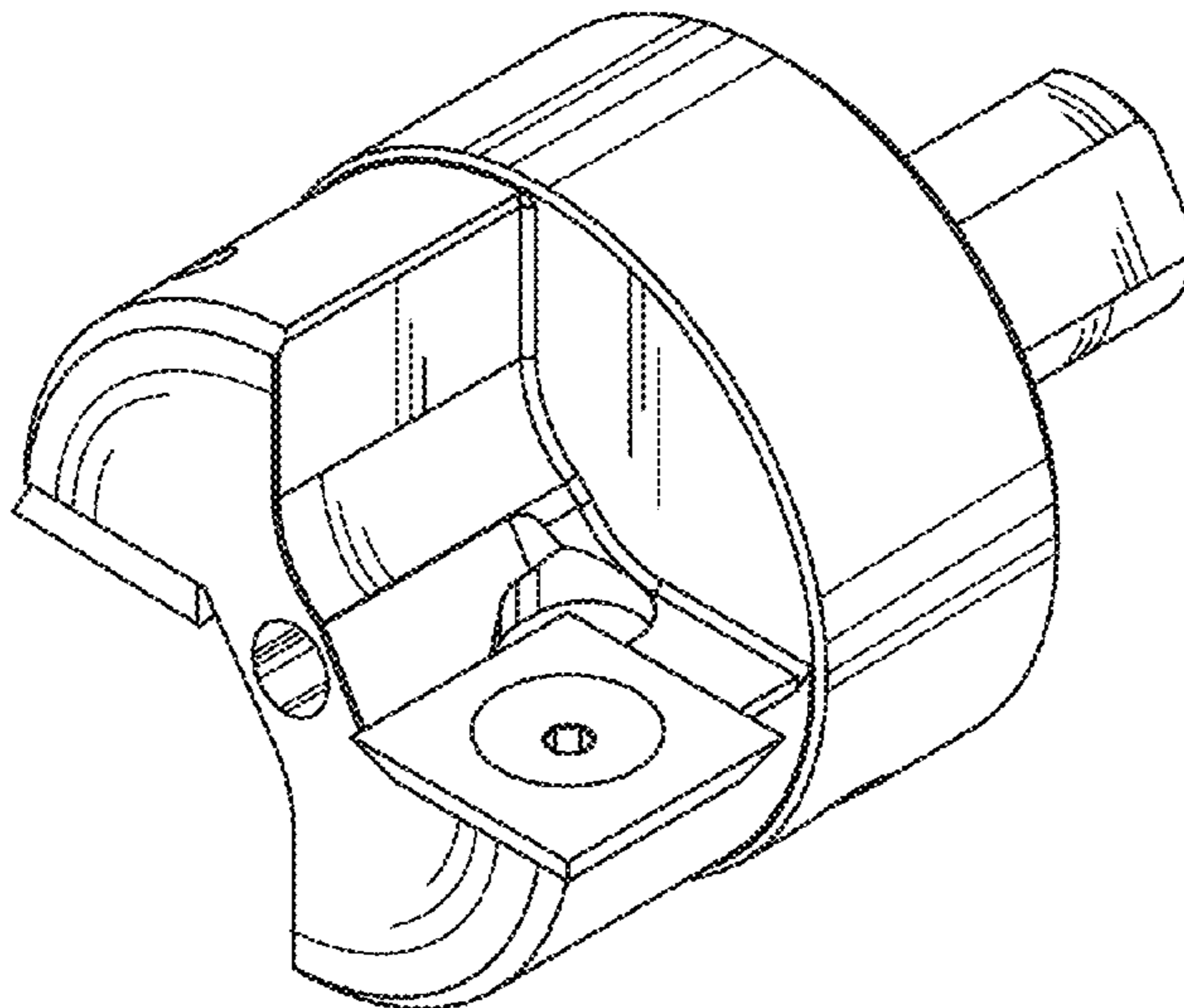
DESCRIPTION

FIG. 1 is a front, top, right side isometric view of a pen mill cutter head in accordance with our design;
FIG. 2 is a front elevation view thereof;
FIG. 3 is a back elevation view thereof;
FIG. 4 is a top plan elevation view thereof;
FIG. 5 is a bottom plan view thereof;
FIG. 6 is a left side elevation view thereof; and,
FIG. 7 is a right side view thereof.
The broken lines illustrate portions of the environment or woodworking pen mill which form no part of the claimed design.

(56) **References Cited**
U.S. PATENT DOCUMENTS

621,288 A * 3/1899 Robertshaw B23B 27/007
407/45
676,669 A * 6/1901 Wack B23B 51/107
408/233
795,168 A * 7/1905 Porter B23B 27/007
408/203.5

1 Claim, 4 Drawing Sheets



(56)

References Cited

U.S. PATENT DOCUMENTS

7,451,534	B2	11/2008	Kress	
D600,809	S	9/2009	Peterson	
D607,024	S *	12/2009	Dost	D15/139
D608,802	S	1/2010	Ibarra et al.	
D717,847	S *	11/2014	Mikado	D15/139
D741,484	S	10/2015	Cho	
D760,307	S *	6/2016	Koike	D15/139
D774,868	S	12/2016	Ouyang	
D786,646	S	5/2017	Ouyang	
D814,537	S	4/2018	Wu	
10,384,277	B2 *	8/2019	Oikawa	B23C 5/109
D877,218	S	3/2020	Wu	
D886,170	S	6/2020	Dill et al.	
11,154,941	B2 *	10/2021	Farris	B23C 3/00
2006/0045640	A1 *	3/2006	Hessman	B23B 51/0493
				408/81
2010/0008735	A1 *	1/2010	Dudzinsky	B23C 5/109
				407/48
2010/0014929	A1	1/2010	Stojanovski	
2012/0259336	A1	10/2012	del Rio et al.	
2013/0121777	A1	5/2013	Gey et al.	
2017/0028585	A1	2/2017	Campbell	
2017/0028582	A1	3/2017	Campbell	

* cited by examiner

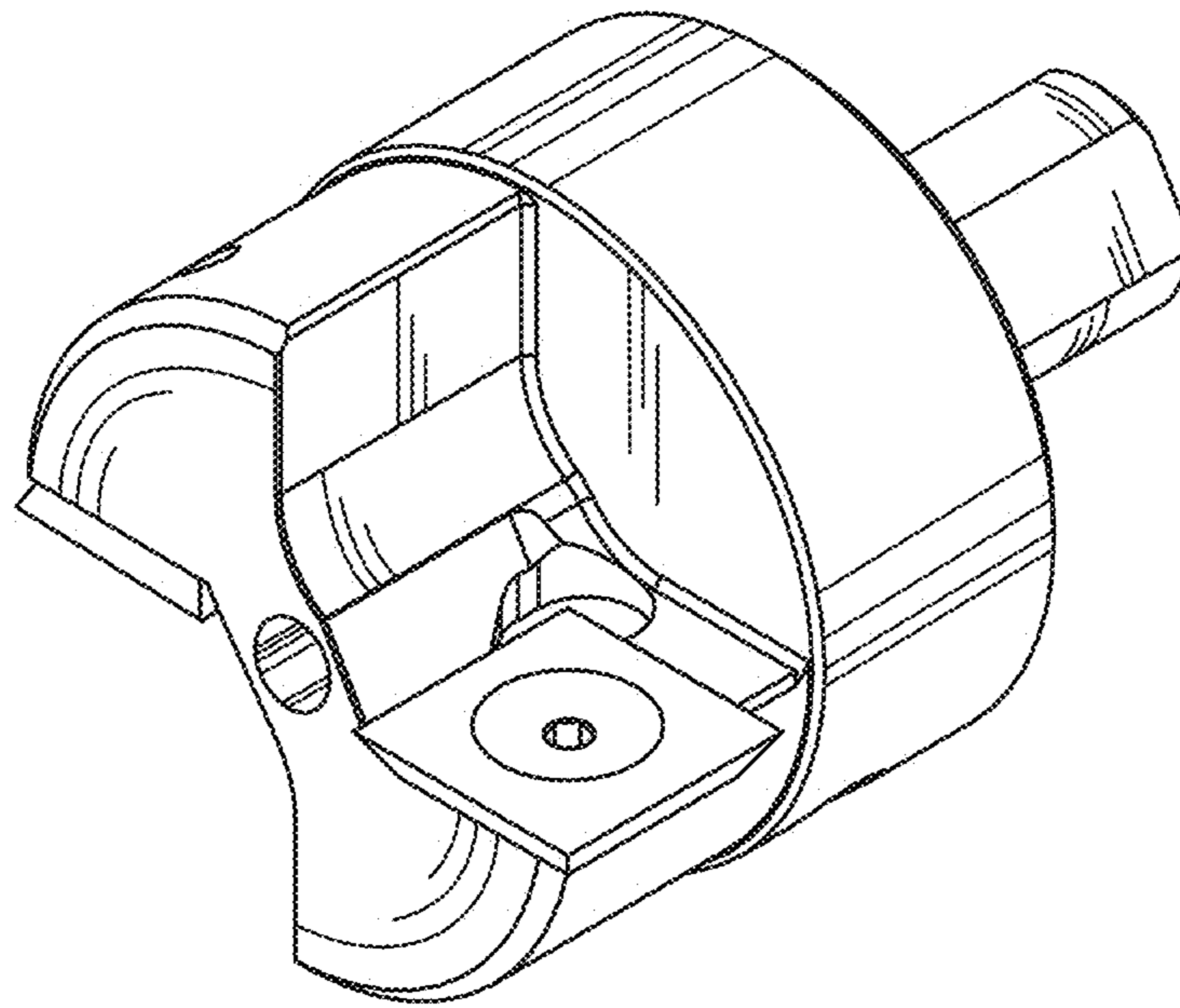


FIG. 1

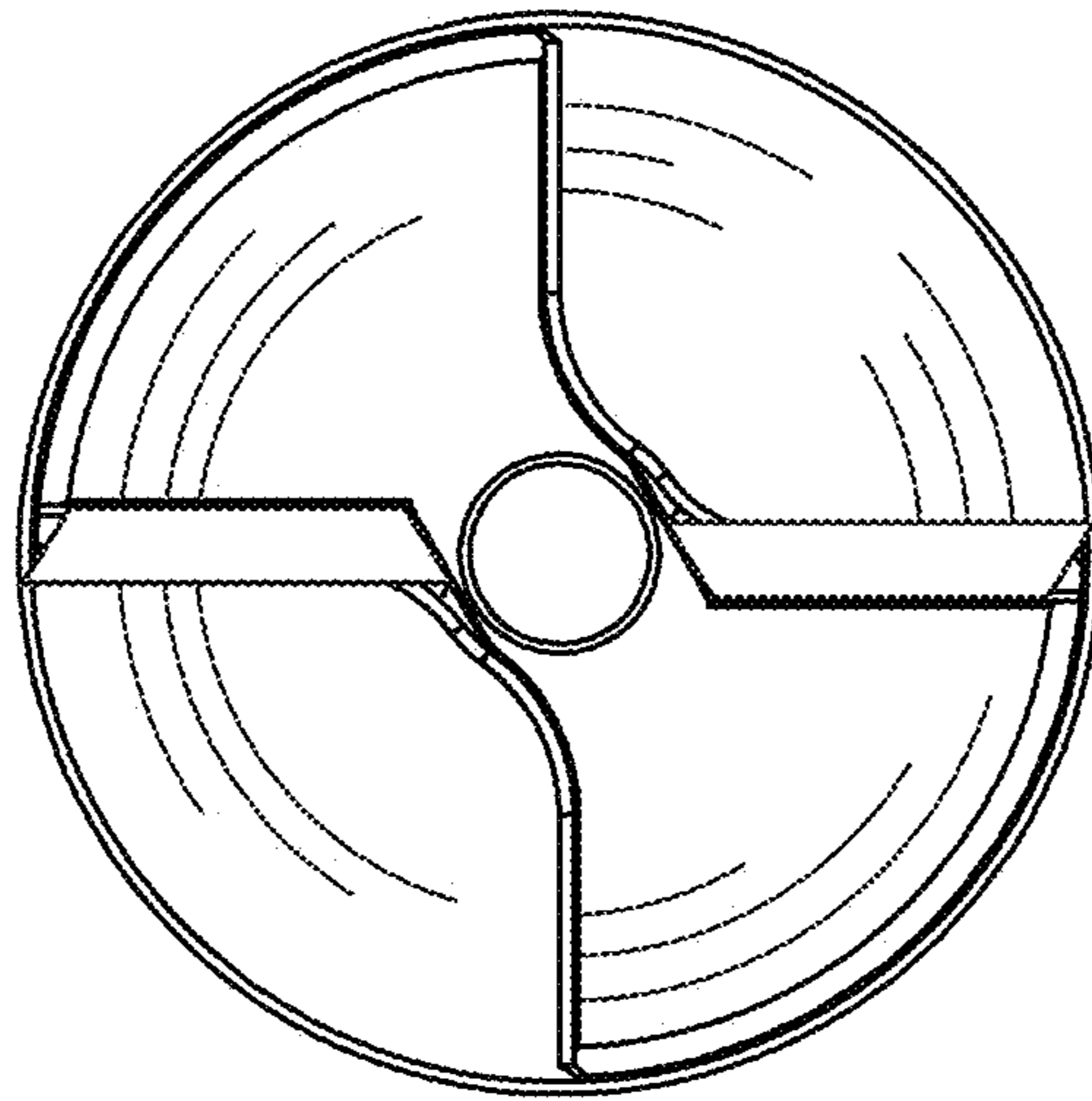


FIG. 2

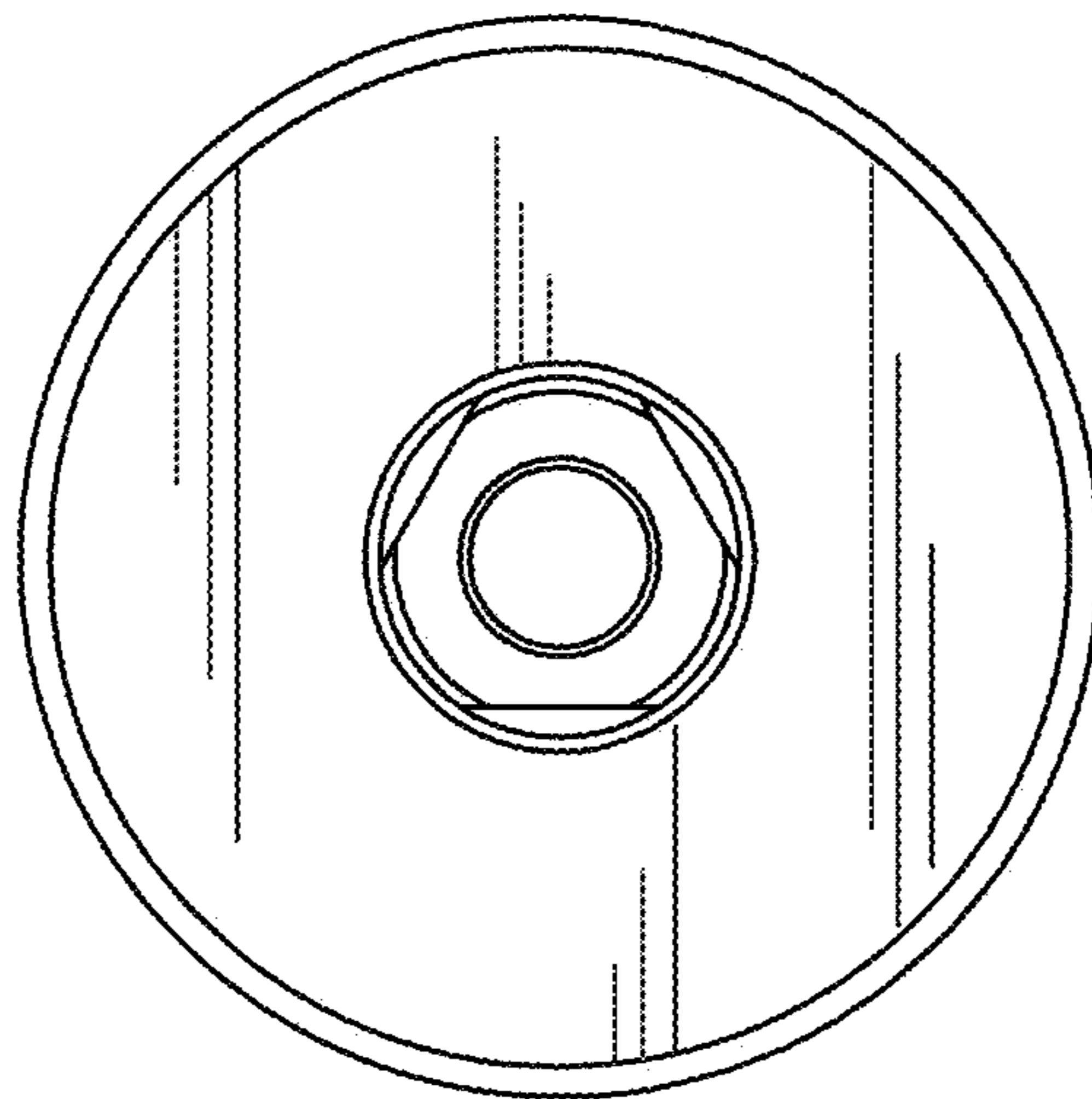


FIG. 3

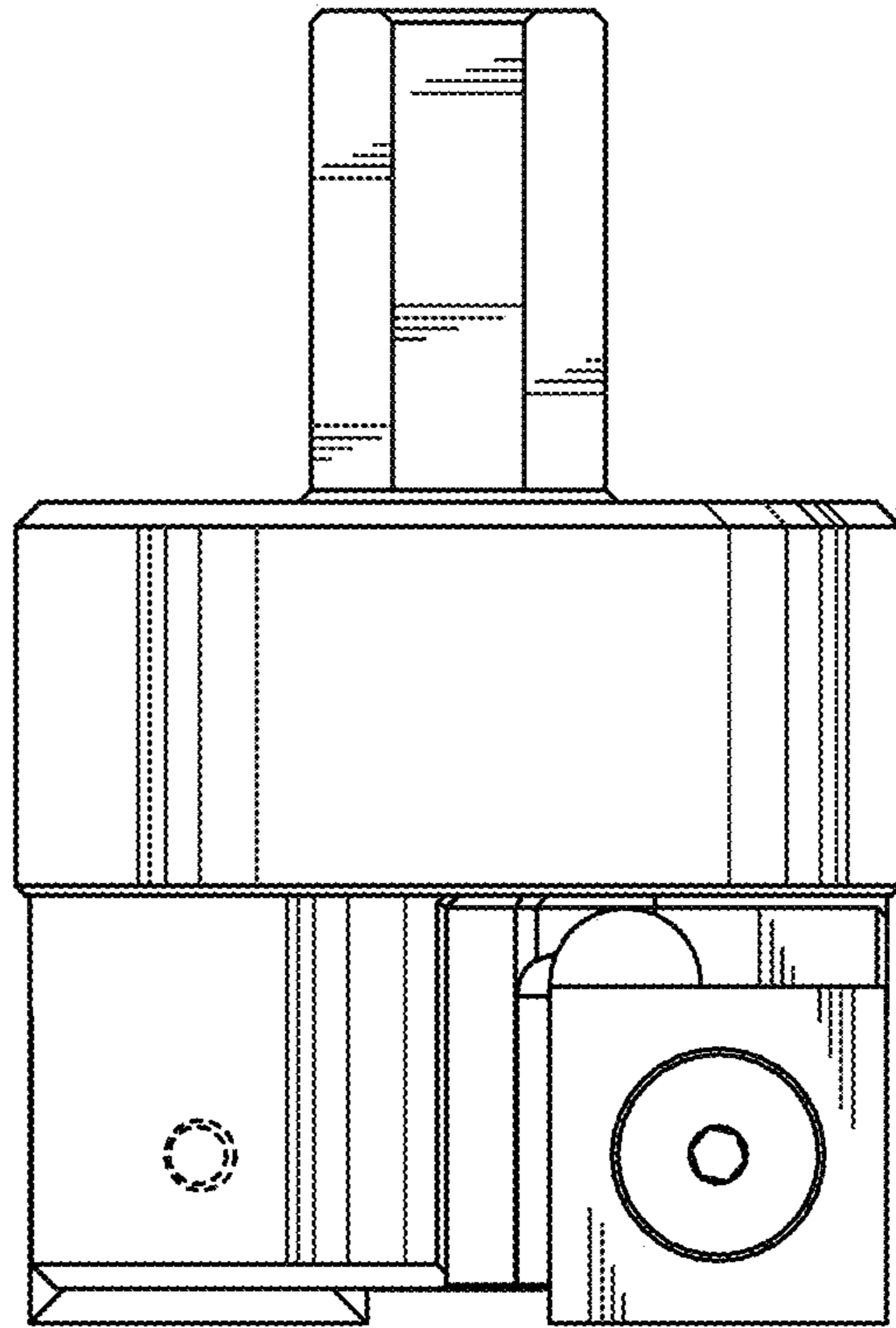


FIG. 4

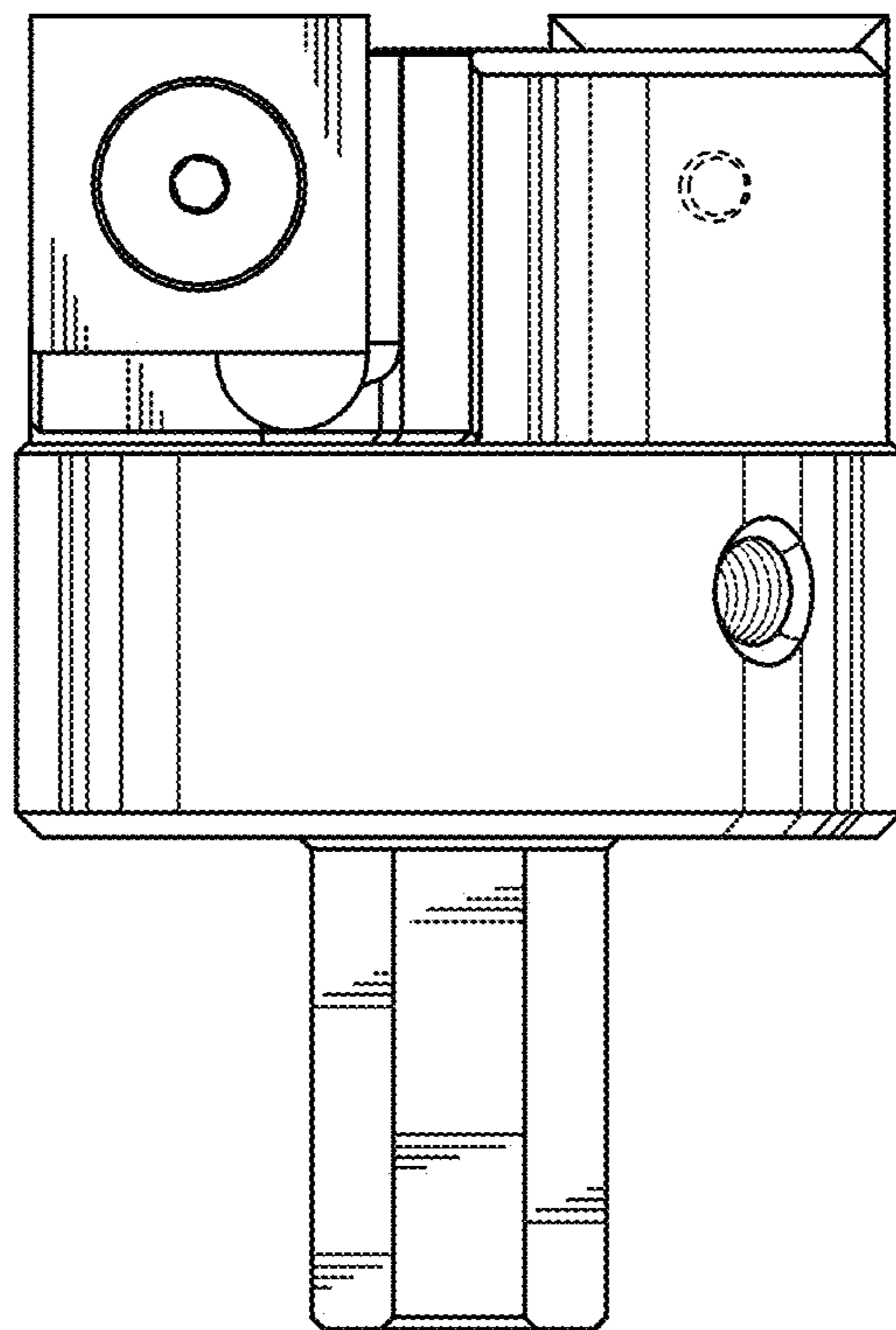


FIG. 5

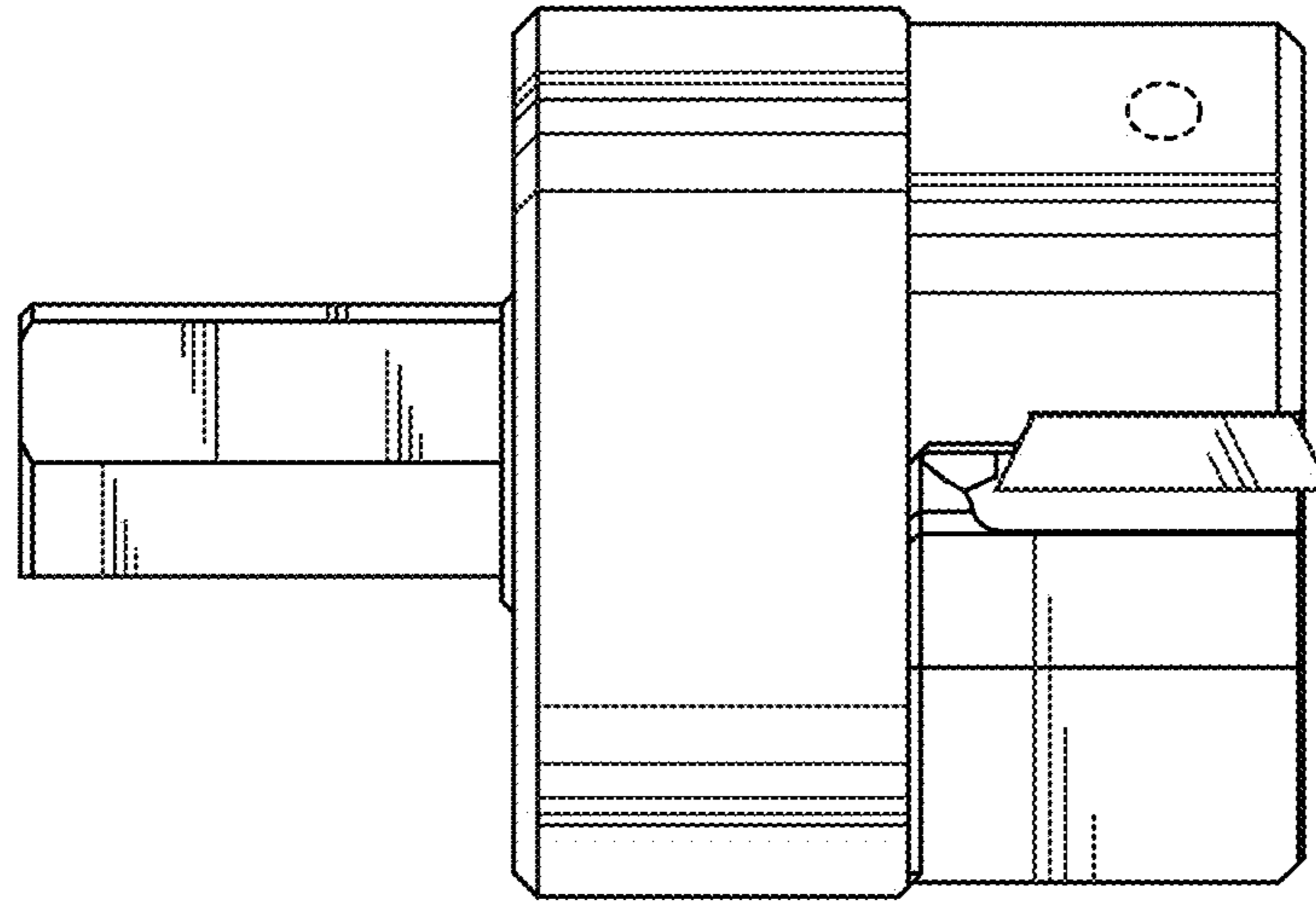


FIG. 6

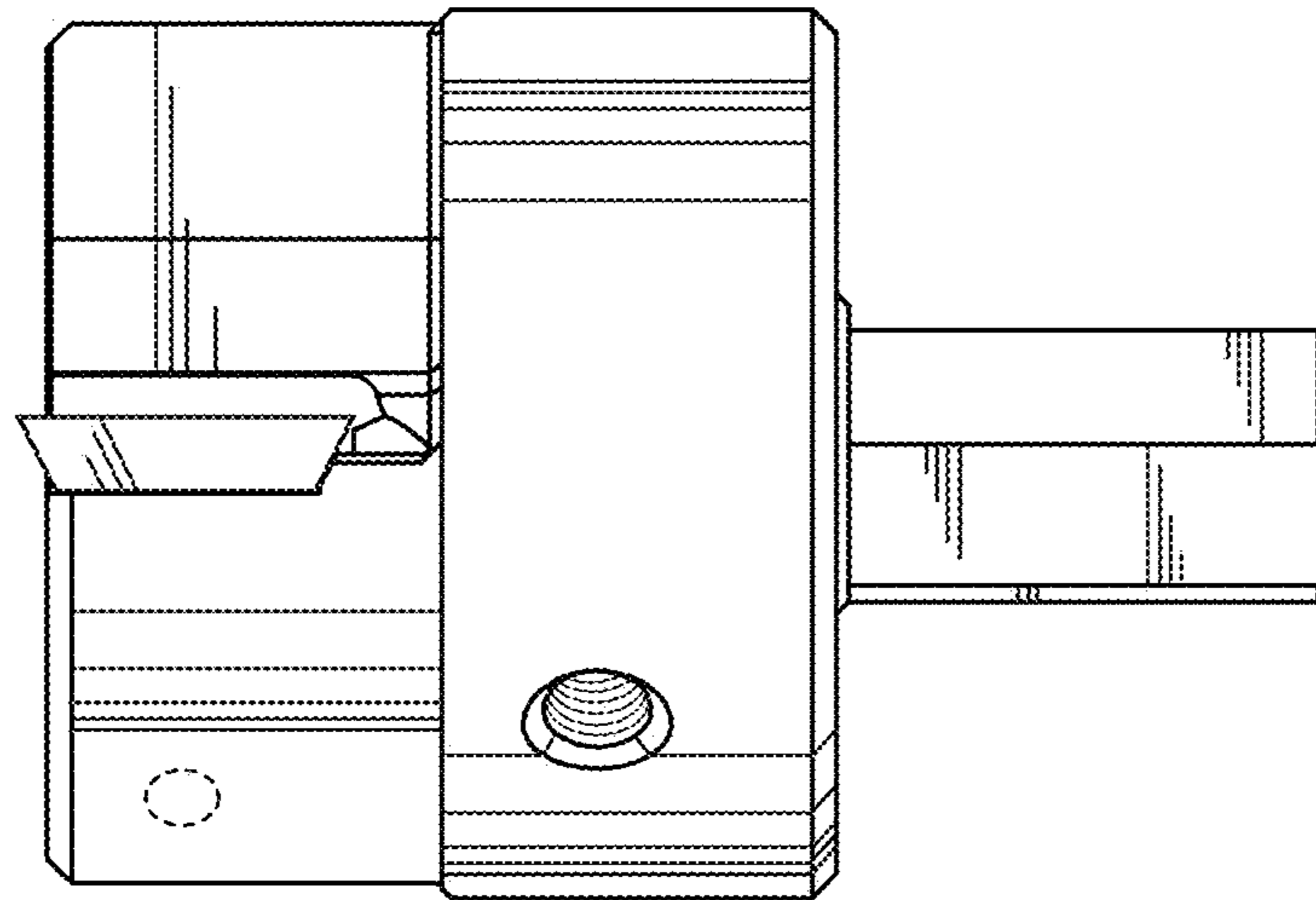


FIG. 7