



US00D955451S

(12) **United States Design Patent**
Richwine

(10) **Patent No.:** **US D955,451 S**

(45) **Date of Patent:** **** Jun. 21, 2022**

- (54) **SAW BLADE CENTERING FIXTURE**
- (71) Applicant: **California Knife and Saw Works LLC, Sutherlin, OR (US)**
- (72) Inventor: **Tyler Richwine, Sutherlin, OR (US)**
- (**) Term: **15 Years**
- (21) Appl. No.: **29/762,910**
- (22) Filed: **Dec. 18, 2020**
- (51) **LOC (13) Cl.** **15-03**
- (52) **U.S. Cl.**
USPC **D15/133; D8/35**
- (58) **Field of Classification Search**
USPC D8/20, 35, 14, 16, 18, 19, 64, 66, 70;
D10/64, 65; D15/122, 124, 127, 133,
D15/134, 138, 139; D19/39, 40;
D24/146, 147
CPC B27B 5/32; B23D 63/12
See application file for complete search history.

- D651,878 S * 1/2012 Davidian D10/64
- D652,274 S * 1/2012 Davidian D10/64
- D678,370 S * 3/2013 Inkster D15/139
- D682,651 S * 5/2013 McRoberts D8/20
- D817,139 S * 5/2018 Fellmann D8/20
- D904,473 S * 12/2020 King D15/139
- D939,364 S * 12/2021 Pack D10/65

* cited by examiner

Primary Examiner — Michael C Stout
Assistant Examiner — Fritzgerald L Butac
(74) *Attorney, Agent, or Firm* — Mark S. Hubert

(56) **References Cited**

U.S. PATENT DOCUMENTS

- D467,599 S * 12/2002 Brazell D10/65
- D492,951 S * 7/2004 Caluori D10/64
- D529,525 S * 10/2006 Waldron D15/139
- D574,862 S * 8/2008 Reilly D15/133
- D651,874 S * 1/2012 Davidian D10/64
- D651,875 S * 1/2012 Davidian D10/64
- D651,876 S * 1/2012 Davidian D10/64
- D651,877 S * 1/2012 Davidian D10/64

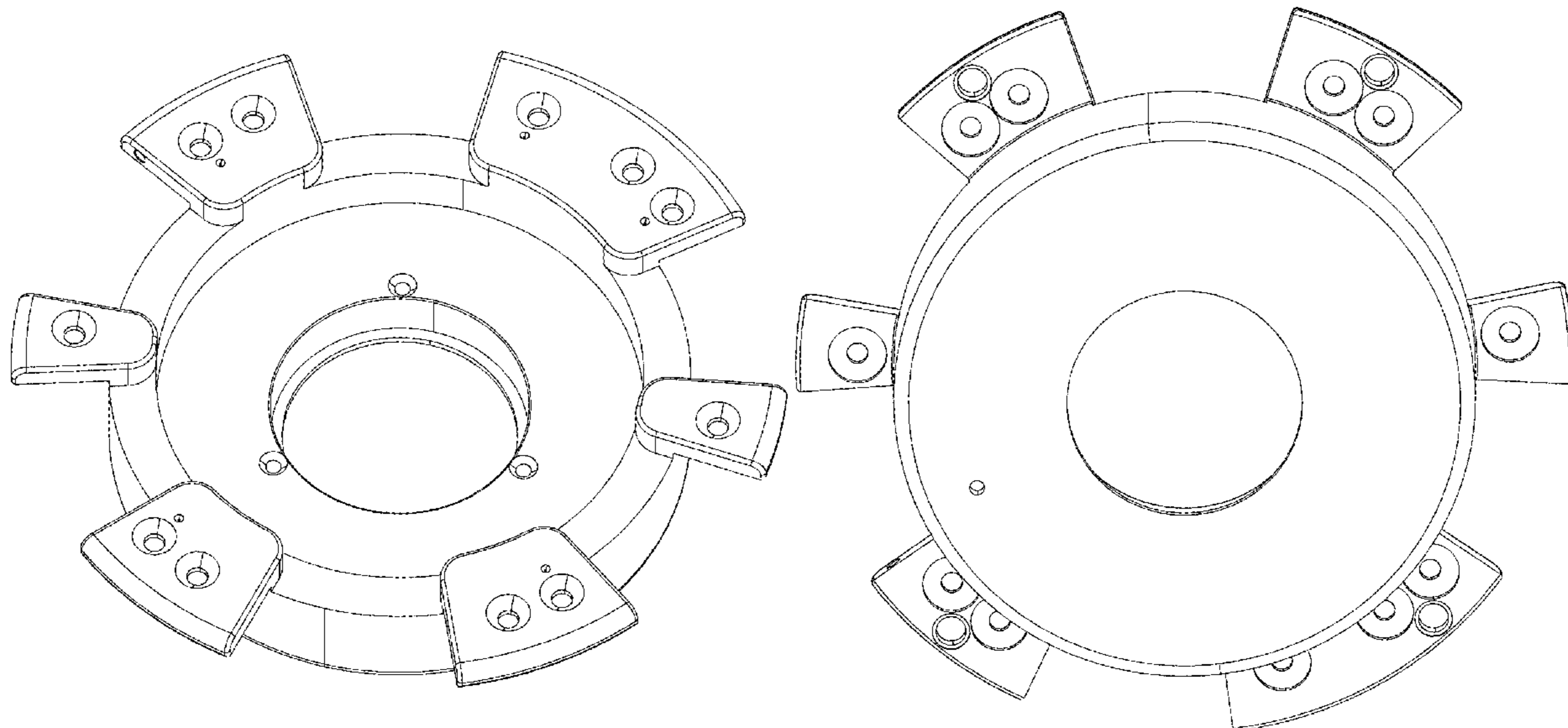
(57) **CLAIM**

I claim an ornamental design for a saw blade centering fixture, as shown and described.

DESCRIPTION

FIG. 1 is a top isometric view of a saw blade centering fixture showing my new design;
FIG. 2 is a top view of the saw blade centering fixture;
FIG. 3 is a front view of the saw blade centering fixture;
FIG. 4 is a right-side view of the saw blade centering fixture;
FIG. 5 is a left-side view of the saw blade centering fixture;
FIG. 6 is a back view of the saw blade centering fixture;
FIG. 7 is a bottom view of the saw blade centering fixture;
and,
FIG. 8 is a bottom isometric view of the saw blade centering fixture.

1 Claim, 5 Drawing Sheets



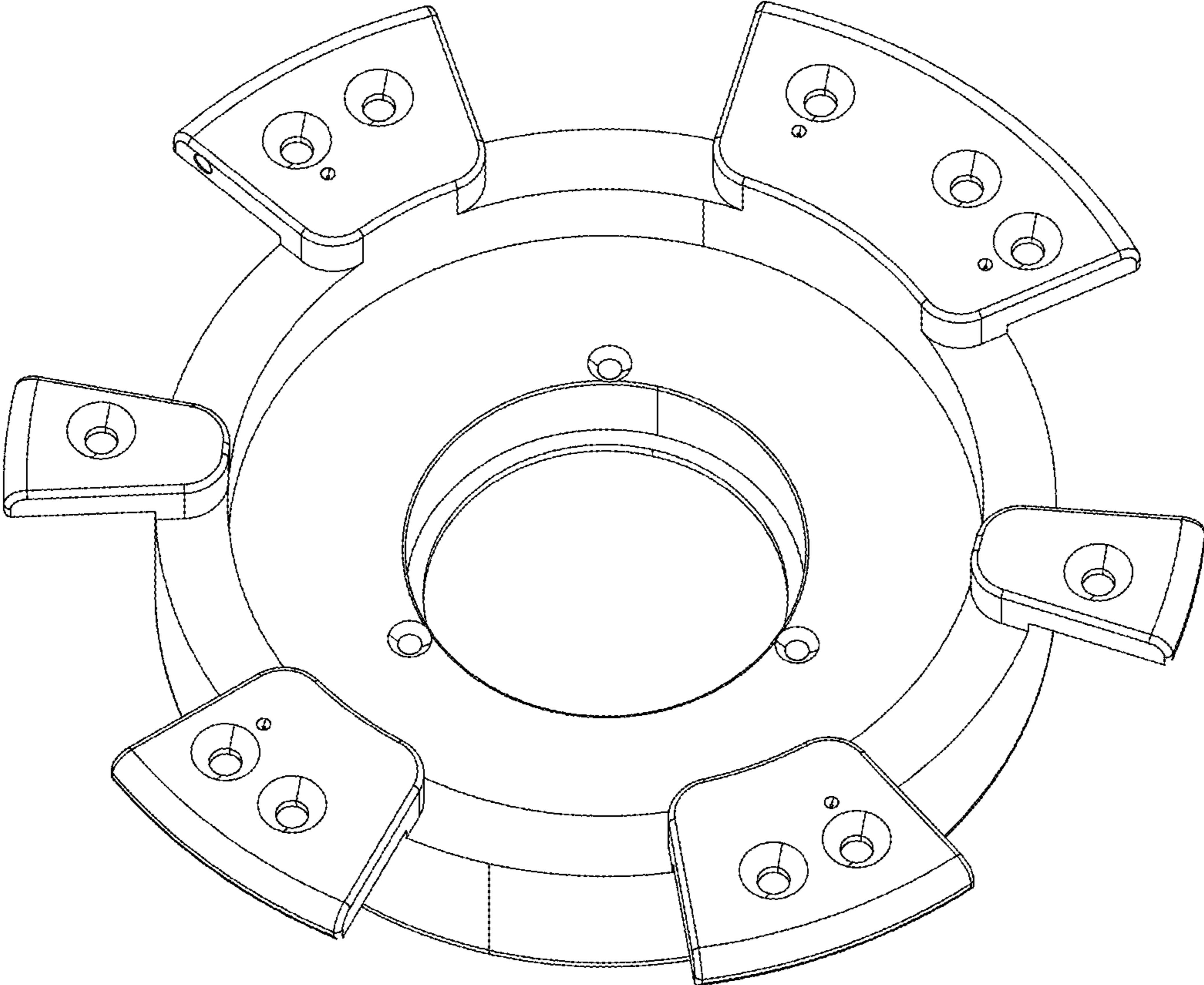


FIG. 1

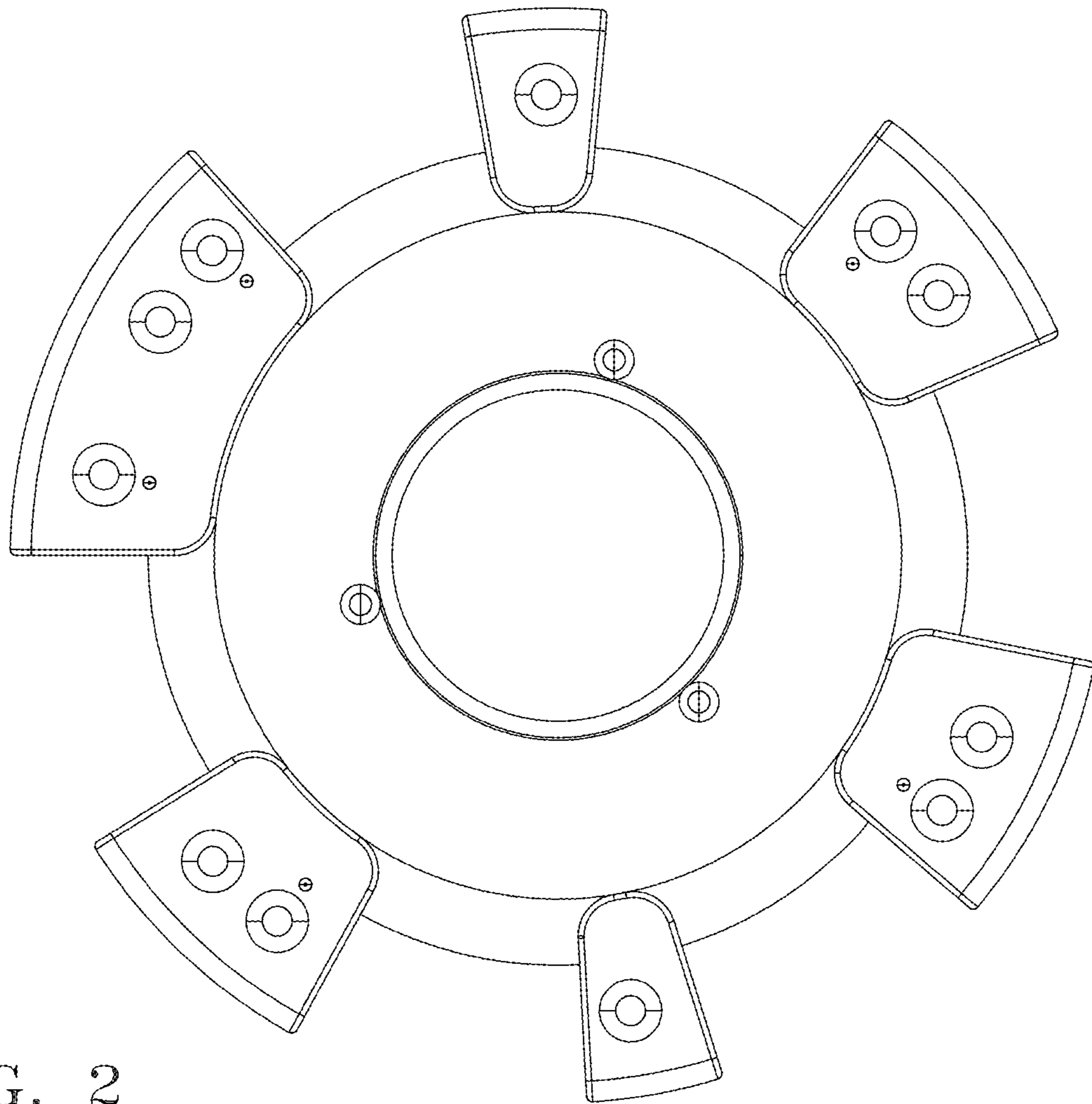


FIG. 2

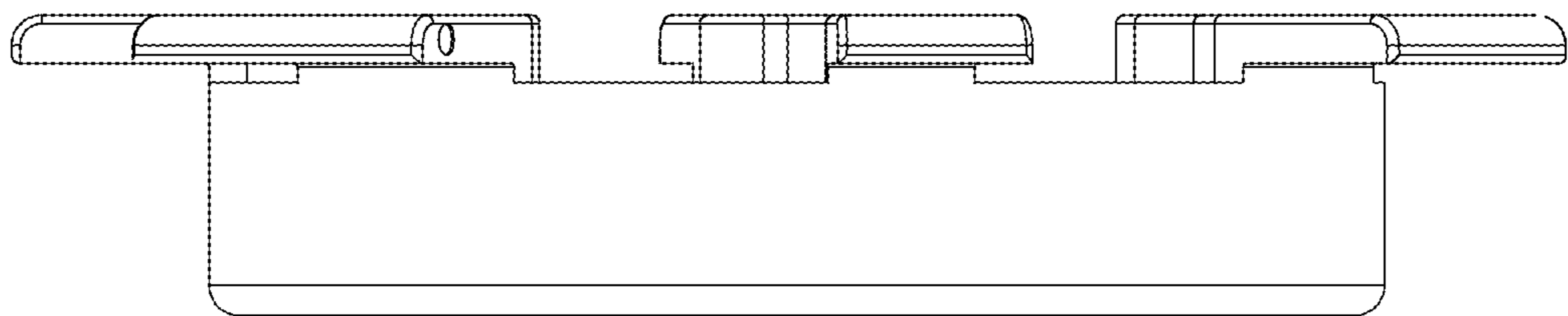


FIG. 3

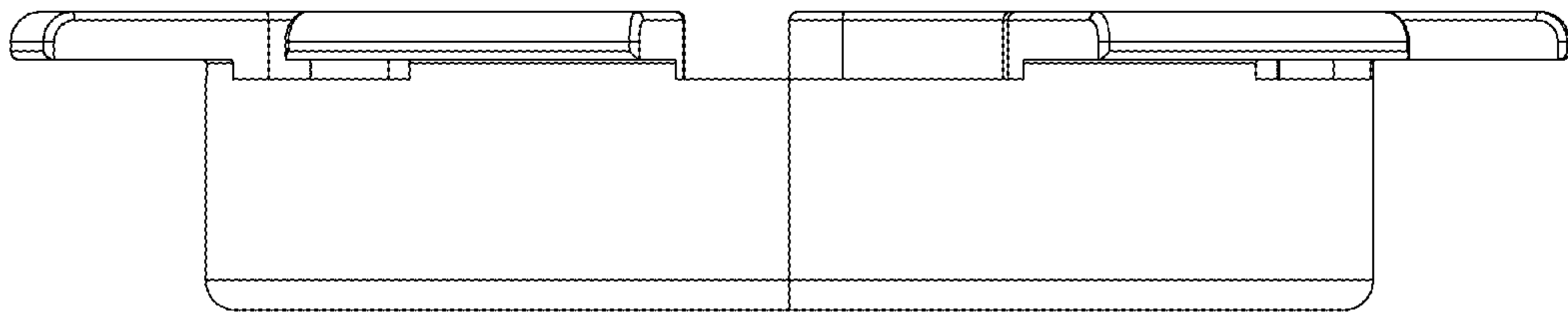


FIG. 4

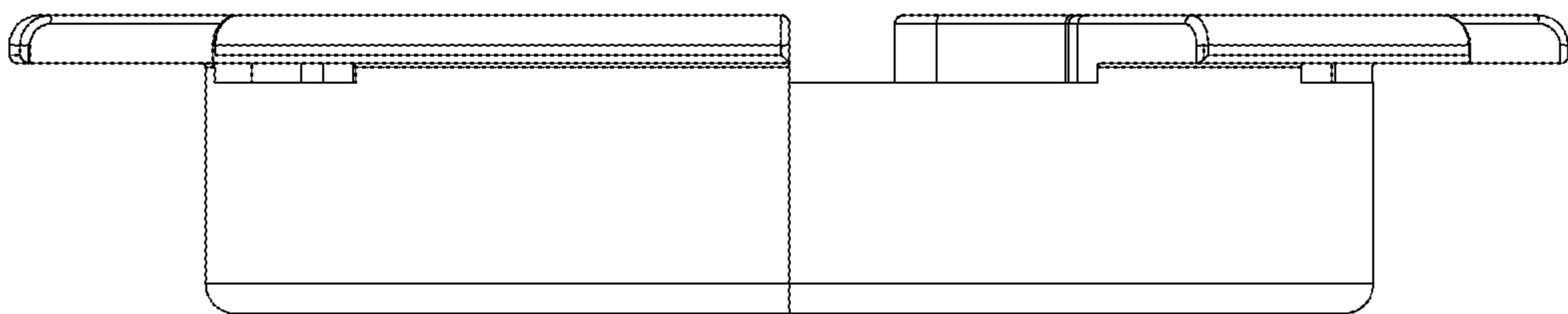


FIG. 5

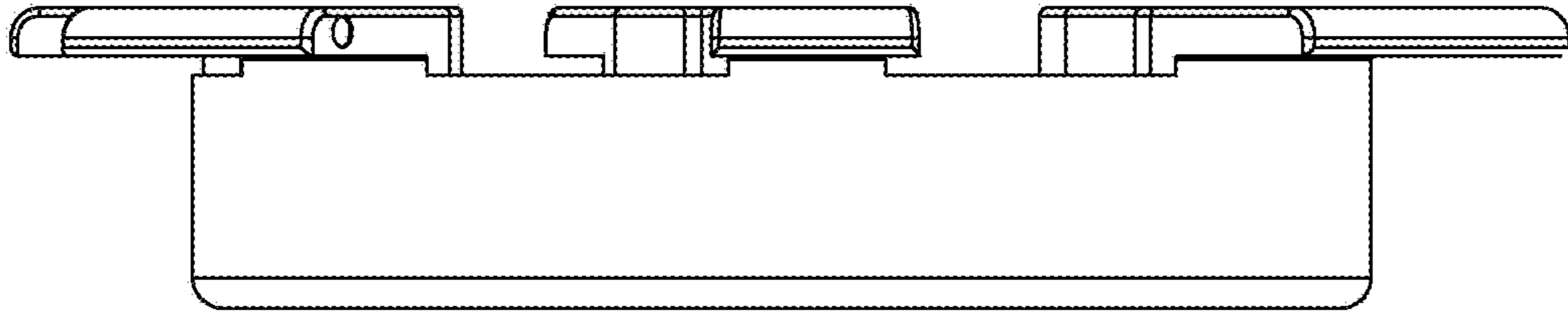


FIG. 6

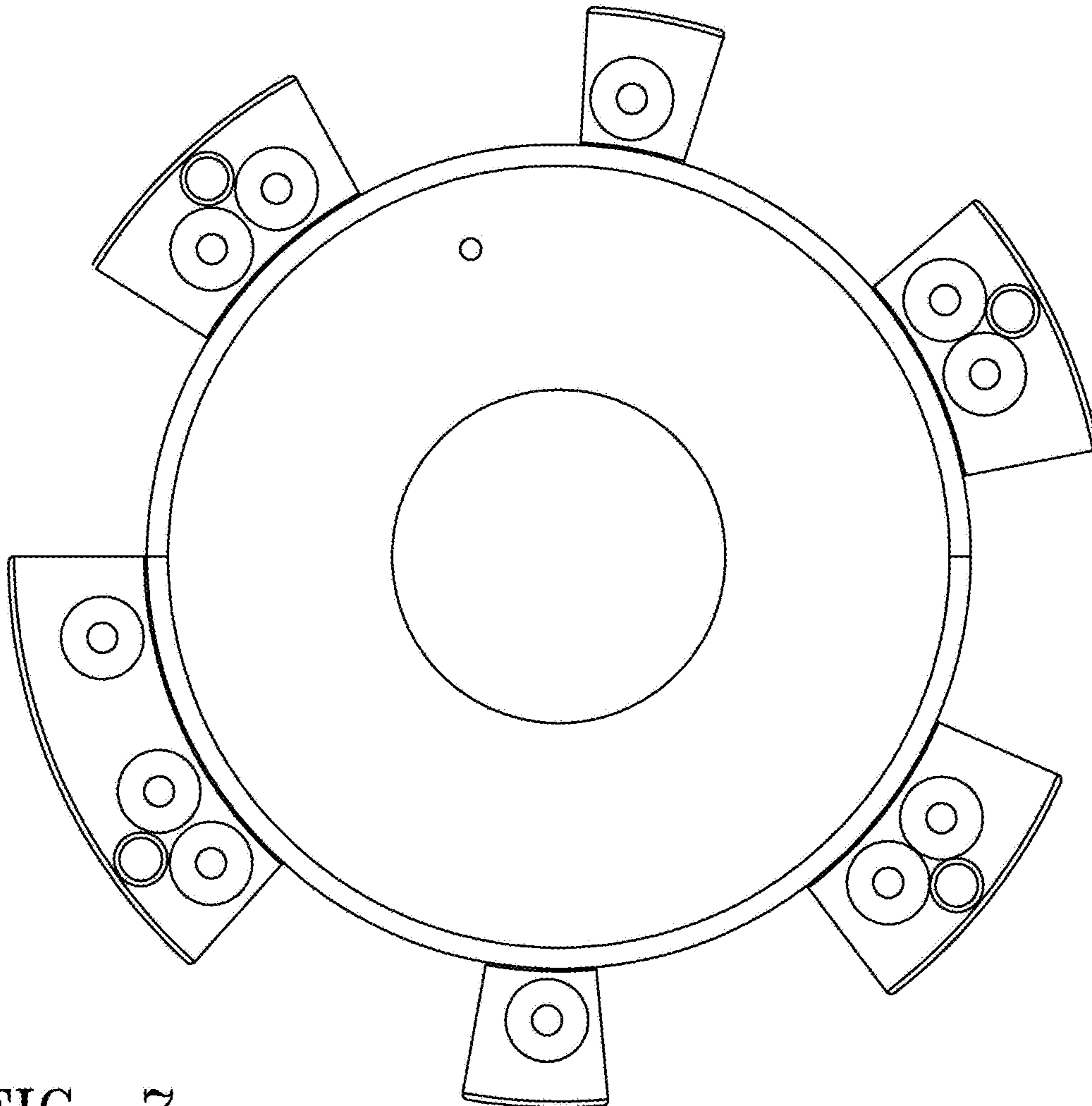


FIG. 7

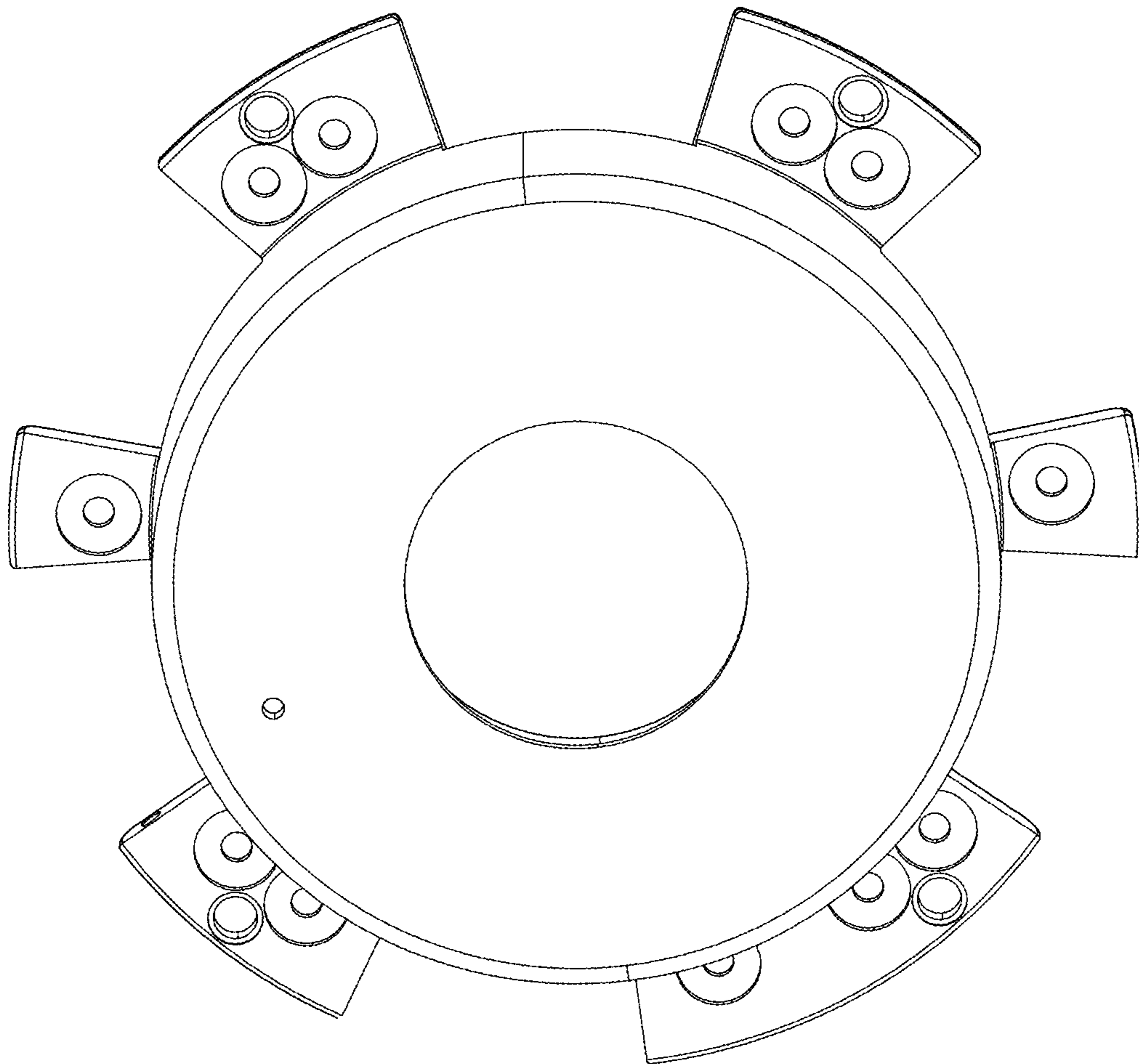


FIG. 8