



US00D955448S

(12) **United States Design Patent**
Han et al.

(10) **Patent No.:** **US D955,448 S**
(45) **Date of Patent:** **** Jun. 21, 2022**

(54) **DISPENSER FOR REFRIGERATOR**

(71) Applicant: **LG ELECTRONICS INC.**, Seoul (KR)

(72) Inventors: **Sungkyong Han**, Seoul (KR); **Kyukwan Choi**, Seoul (KR); **Sanghun Kim**, Seoul (KR); **Minsub Kim**, Seoul (KR); **Jihyun Lee**, Seoul (KR); **Yezo Yun**, Seoul (KR)

(73) Assignee: **LG ELECTRONICS INC.**, Seoul (KR)

(**) Term: **15 Years**

(21) Appl. No.: **29/787,138**

(22) Filed: **Jun. 4, 2021**

(30) **Foreign Application Priority Data**

Dec. 18, 2020 (KR) 30-2020-0063317

(51) **LOC (13) Cl.** **15-07**

(52) **U.S. Cl.**
USPC **D15/89**

(58) **Field of Classification Search**

USPC D15/79-91
CPC F25D 2323/021; F25D 2323/024; F25D 2323/121; F25D 2323/122; F25D 29/00; F25D 27/005; F25D 29/005; F25D 17/042; F25D 2325/02; F25D 11/00; F25D 11/02; F25D 11/025; F25D 23/00; F25D 23/02; F25D 23/04; F25D 23/12; F25D 23/028; F25D 25/02; F25D 25/021; F25D 25/022; F25D 25/024; F25D 25/025; A47F 3/04; A47F 3/0404

See application file for complete search history.

(56) **References Cited**

U.S. PATENT DOCUMENTS

D379,095 S * 5/1997 Sparks D15/85
D517,100 S * 3/2006 Seok D15/85

D568,343 S * 5/2008 Suh D15/85
D569,397 S * 5/2008 Kim D15/85
D601,175 S * 9/2009 Staud D15/85
D625,343 S * 10/2010 Seo D15/85
D639,314 S * 6/2011 Yang D15/85
D699,767 S * 2/2014 Yoon-jung D15/85
D701,539 S * 3/2014 Saejin D15/85

(Continued)

OTHER PUBLICATIONS

LG Electronics, LG 22 cu. ft. Smart wi-fi Enabled Side-by-Side Counter-Depth Refrigerator (LSXC22426S), (site visited Mar. 15, 2022), LG UK site, URL: <https://www.lg.com/us/refrigerators/lg-LSXC22426S-side-by-side#> (Year: 2022).*

(Continued)

Primary Examiner — Calvin E Vansant
Assistant Examiner — Mark T. Philipps

(74) *Attorney, Agent, or Firm* — Birch, Stewart, Kolasch & Birch, LLP

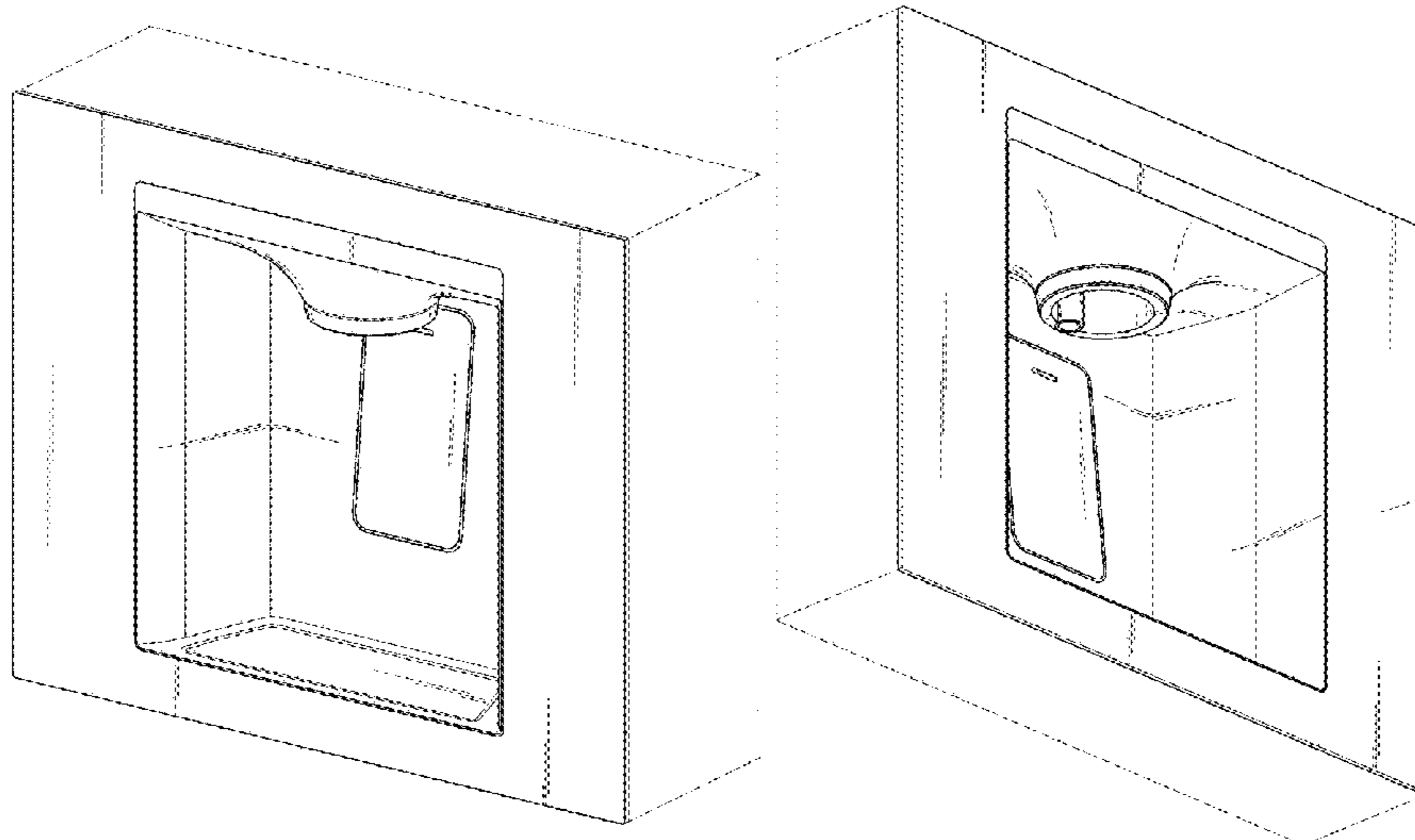
(57) **CLAIM**

We claim the ornamental design for a dispenser for refrigerator, as shown and described.

DESCRIPTION

FIG. 1 is a front perspective view of a dispenser for refrigerator showing a new design;
FIG. 2 is a bottom perspective view thereof;
FIG. 3 is a front view thereof;
FIG. 4 is a rear view thereof;
FIG. 5 is a left-side elevation view thereof;
FIG. 6 is a right-side elevation view thereof;
FIG. 7 is a top plan view thereof; and,
FIG. 8 is a bottom plan view thereof.
The broken lines represent portions of the dispenser for refrigerator that form no part of the claimed design.

1 Claim, 8 Drawing Sheets



(56)

References Cited

U.S. PATENT DOCUMENTS

D702,266 S * 4/2014 Mihyun D15/85
 D711,942 S * 8/2014 Jeon D15/89
 D714,363 S * 9/2014 Jeon D15/86
 D715,336 S * 10/2014 Sin D15/89
 D734,373 S * 7/2015 Hwang D15/86
 D735,781 S * 8/2015 Hwang D15/81
 D741,380 S * 10/2015 Ogg D15/86
 D759,131 S * 6/2016 Ogg D15/89
 D761,891 S * 7/2016 Seo D15/89
 D767,648 S * 9/2016 Shoemaker D15/86
 D771,159 S * 11/2016 Jeon D15/89
 D781,934 S * 3/2017 Shrader D15/85
 D786,948 S * 5/2017 Lee D15/86
 D788,187 S * 5/2017 Kim D15/84
 D788,828 S * 6/2017 Seo D15/86
 D791,199 S * 7/2017 Kim D15/86
 D794,092 S * 8/2017 Lee D15/89
 D795,312 S * 8/2017 Shoemaker D15/89
 D825,623 S * 8/2018 Jeon D15/89
 D827,683 S * 9/2018 Jeon D15/85

D836,683 S * 12/2018 Jeon D15/86
 D841,057 S * 2/2019 Kim D15/86
 D841,058 S * 2/2019 Lee D15/86
 10,342,363 B2 * 7/2019 Park F25D 31/005
 D888,110 S * 6/2020 Lee D15/85
 10,684,068 B1 * 6/2020 Shi F25D 23/028
 D895,693 S * 9/2020 Joo F25D 25/025
 D15/85
 D921,064 S * 6/2021 Lee D15/89
 D926,829 S * 8/2021 Kim F25D 25/025
 D15/85
 2021/0148627 A1 * 5/2021 Jeong F25D 17/08

OTHER PUBLICATIONS

Samsung, RF27T5501SR/AA, (site visited Mar. 15, 2022), Samsung Website, URL:<<https://www.samsung.com/us/home-appliances/refrigerators/3-door-french-door/26-5-cu-ft--large-capacity-3-door-french-door-refrigerator-with-family-hub--and-external-water---ice-dispenser-in-stainless-steel-rf27t5501sr-aa/>> (Year: 2022).*

* cited by examiner

FIG. 1

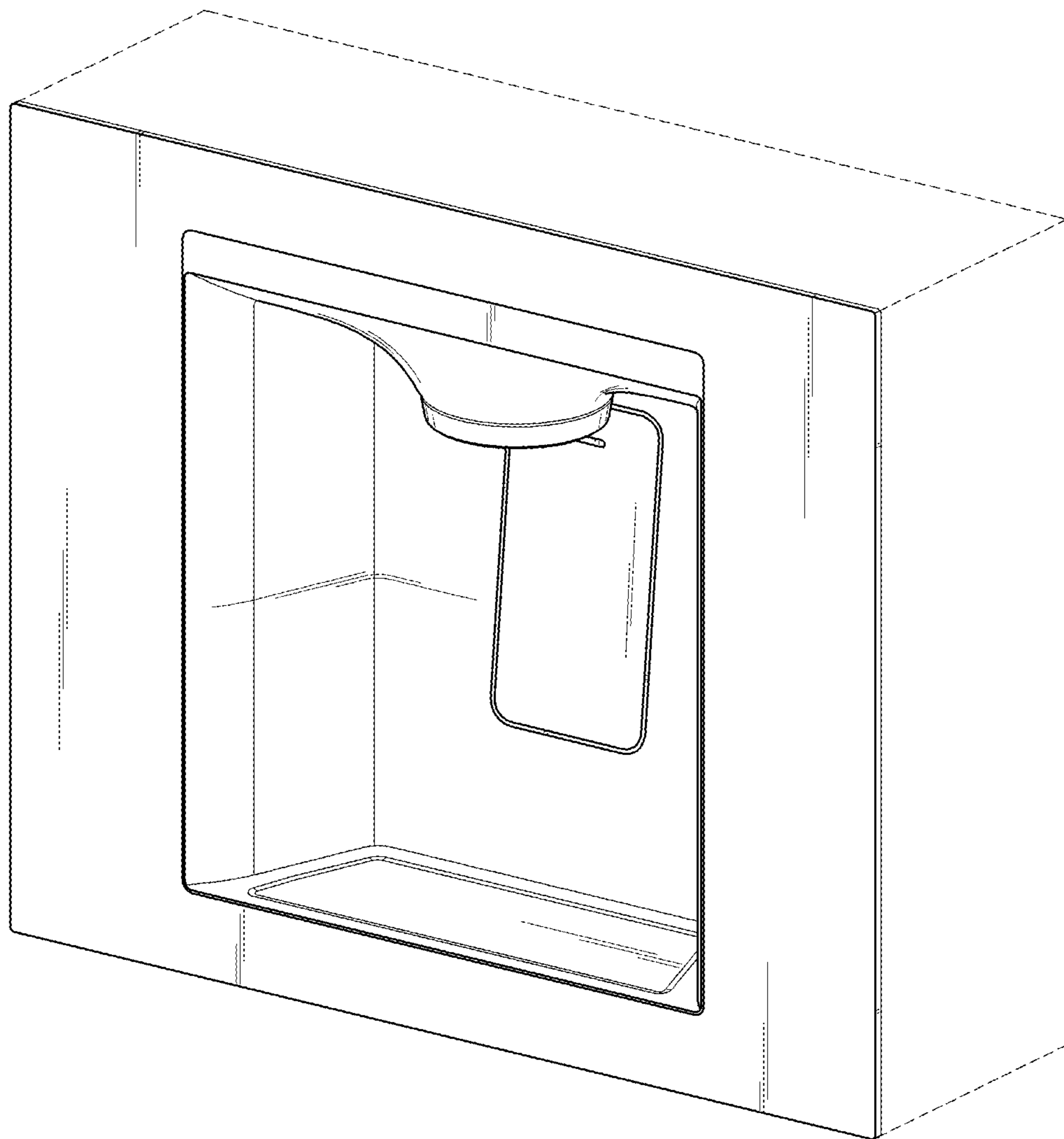


FIG. 2

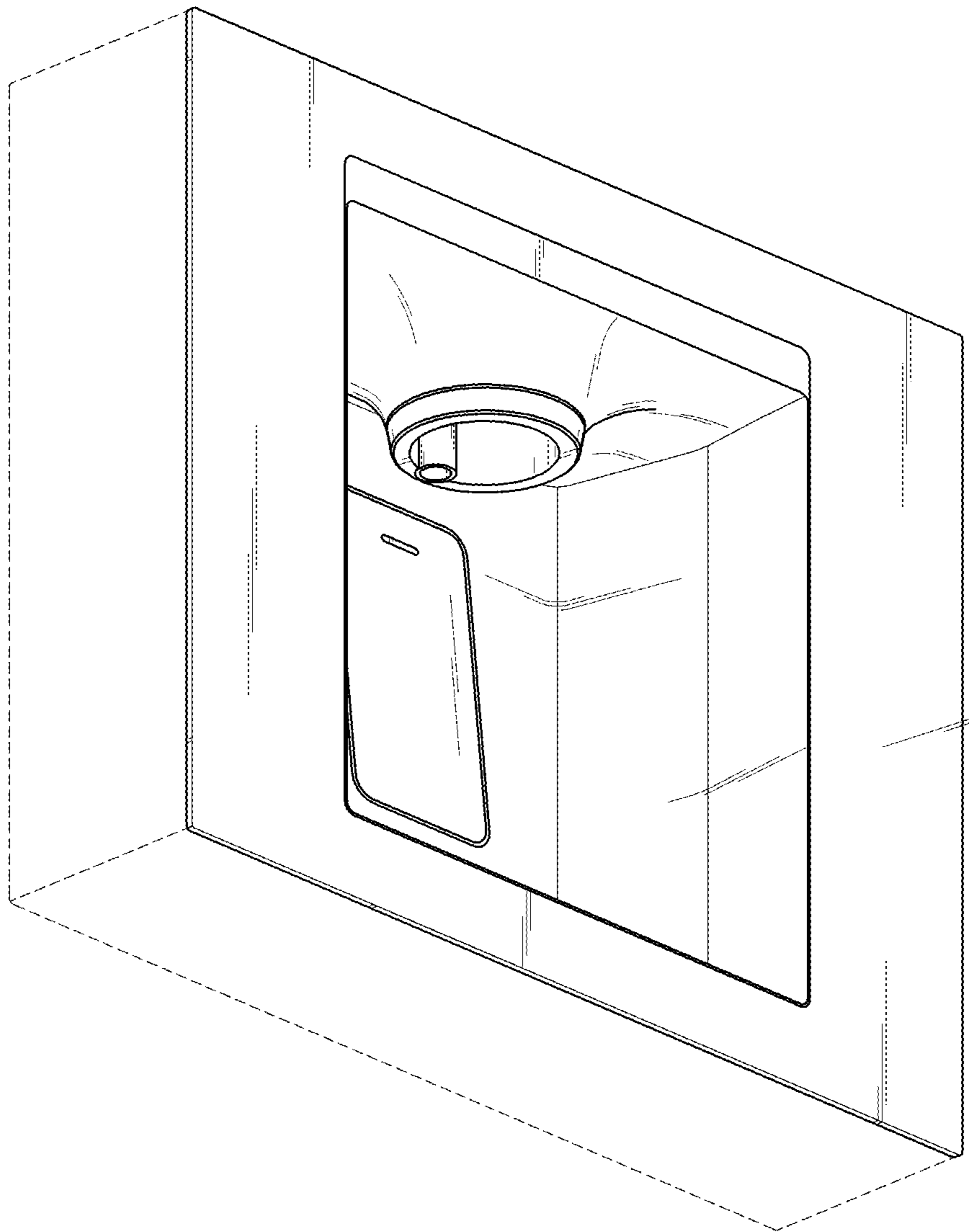


FIG. 3

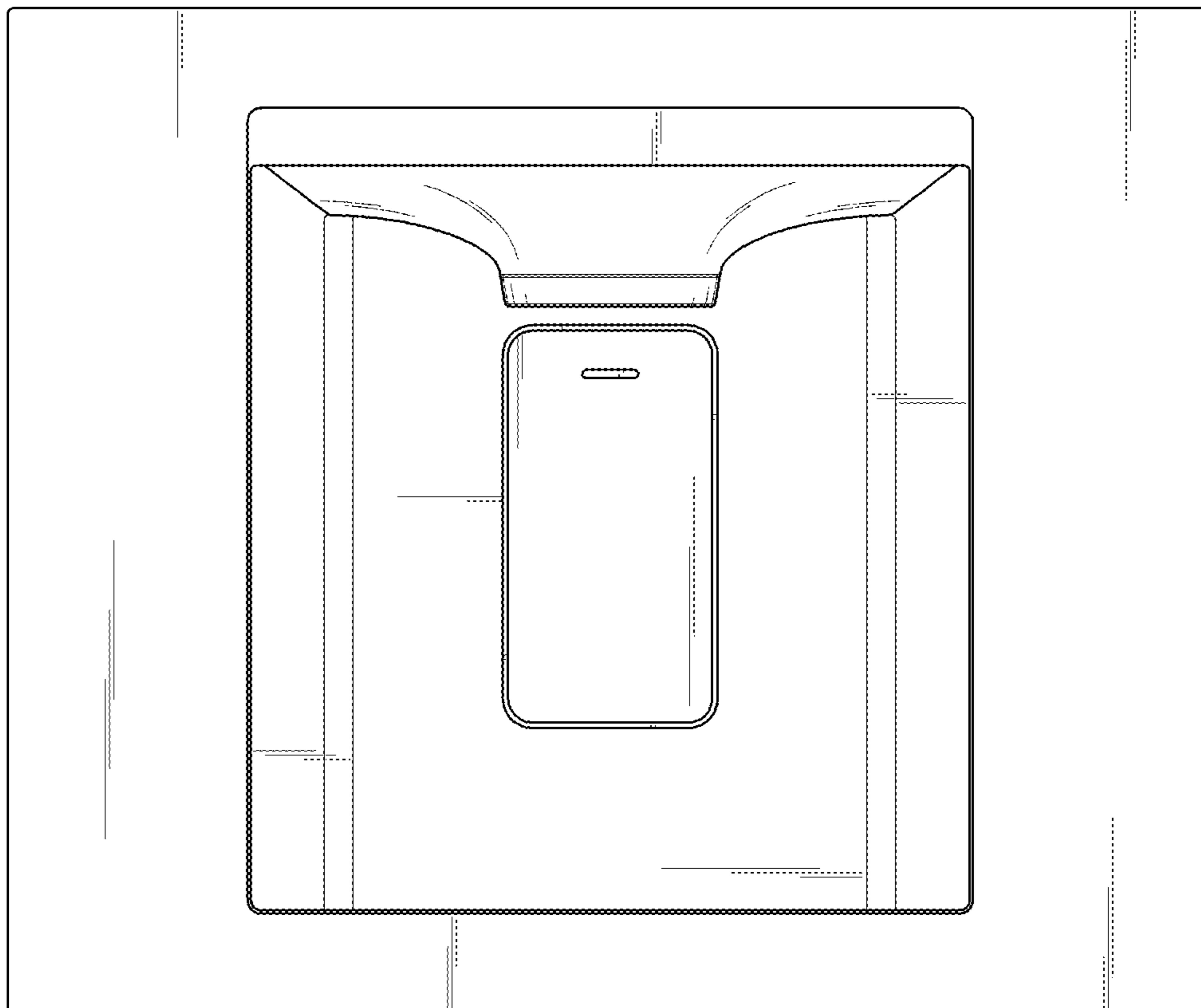


FIG. 4



FIG. 5

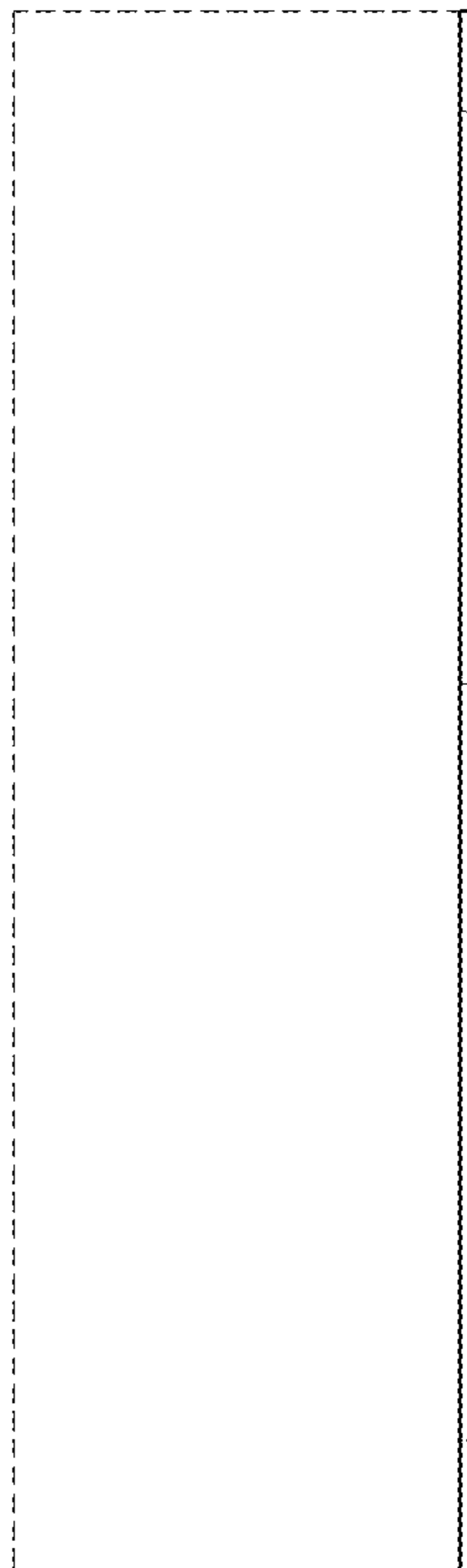


FIG. 6



FIG. 7

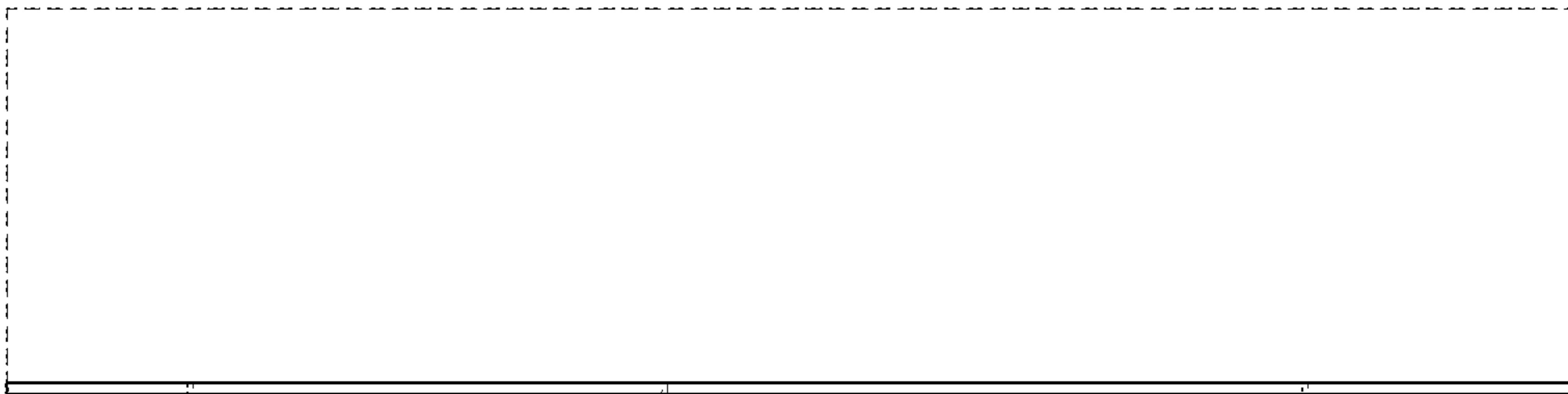


FIG. 8

