



US00D955447S

(12) **United States Design Patent**
Lee et al.

(10) **Patent No.:** **US D955,447 S**
(45) **Date of Patent:** **** Jun. 21, 2022**

(54) **REFRIGERATOR**

FOREIGN PATENT DOCUMENTS

(71) Applicant: **Samsung Electronics Co., Ltd.**,
Suwon-si (KR)

EM 002750323-0002 8/2015
EM 001400782-0002 10/2015
KR 30-2015-0065624 6/2019

(72) Inventors: **Jaemin Lee**, Suwon-si (KR); **Hyunil Lee**, Suwon-si (KR); **Junguk Shin**, Suwon-si (KR)

OTHER PUBLICATIONS

“삼성전자, 정수기 탑재 냉장고 출시”[2020] www.newsis.com Apr. 28, 2020 <https://newsis.com/view/?id=NISI20200428_0016288985>.

(73) Assignee: **Samsung Electronics Co., Ltd.**,
Suwon-si (KR)

Primary Examiner — Mojtaba Tehrani

(**) Term: **15 Years**

(74) *Attorney, Agent, or Firm* — NSIP Law

(21) Appl. No.: **29/760,580**

(57) **CLAIM**

(22) Filed: **Dec. 2, 2020**

We claim the ornamental design for a refrigerator, as shown and described.

(30) **Foreign Application Priority Data**

DESCRIPTION

Jun. 25, 2020 (KR) 30-2020-0029010

(51) **LOC (13) Cl.** **15-07**

(52) **U.S. Cl.**
USPC **D15/86**

(58) **Field of Classification Search**
USPC D15/79, 80, 81, 82, 83, 84, 85, 86, 87,
D15/88, 89, 90, 91
CPC F25C 2400/10; F25D 2400/10; F25D
2400/12; F25D 2400/14; F25D 2400/18;
G05B 2219/2654; G09F 23/0058; Y10S
292/71

See application file for complete search history.

FIG. 1 is a front perspective view of a refrigerator showing our new design;
FIG. 2 is a front view thereof;
FIG. 3 is a rear view thereof;
FIG. 4 is a left-side view thereof;
FIG. 5 is a right-side view thereof;
FIG. 6 is a top view thereof;
FIG. 7 is a bottom view thereof;
FIG. 8 is an enlarged view of the encircled portion in FIG. 1;
FIG. 9 is an enlarged view of the encircled portion in FIG. 2; and,
FIG. 10 is a front perspective view of the refrigerator shown in a state of use.

(56) **References Cited**

U.S. PATENT DOCUMENTS

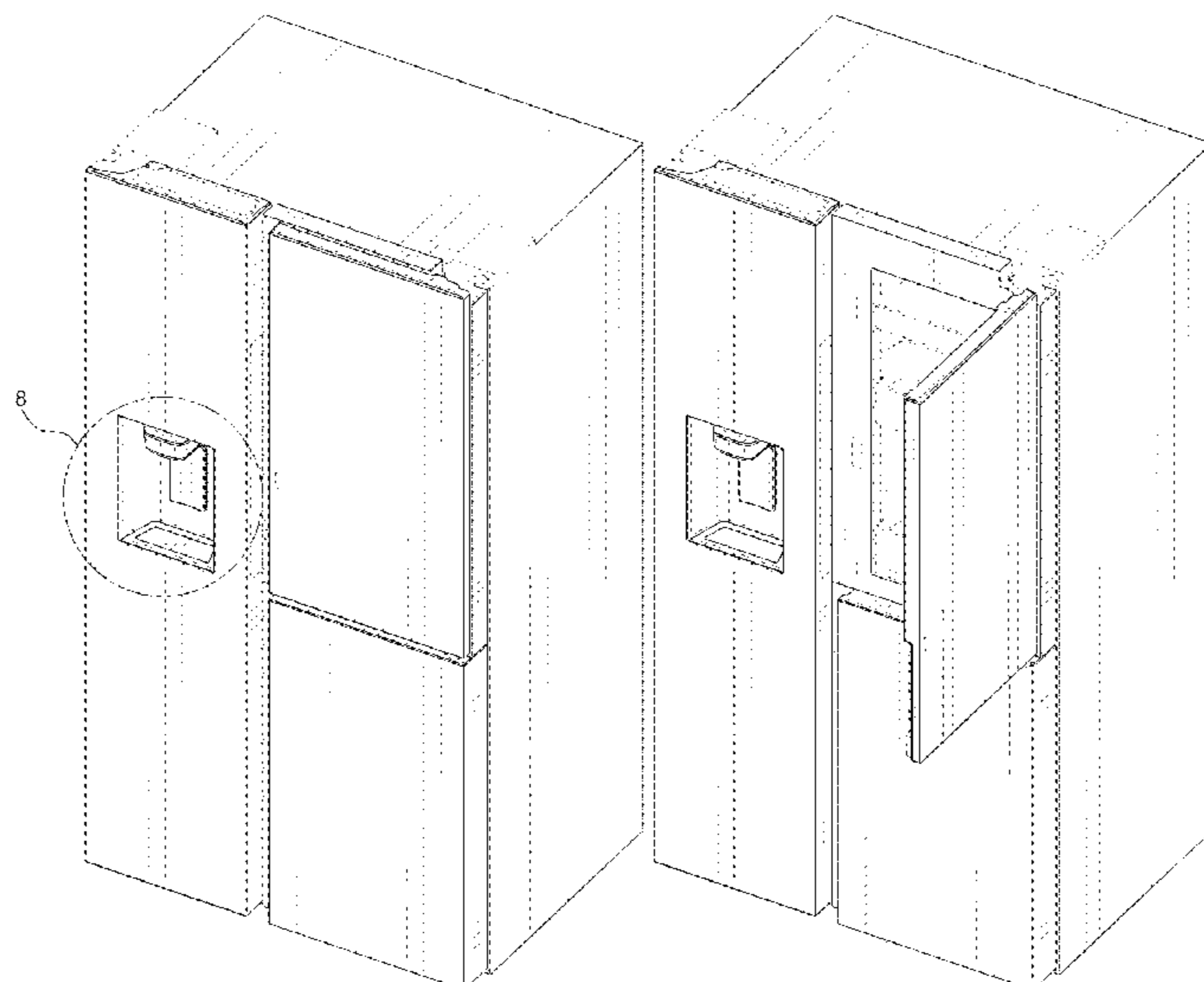
D647,544 S * 10/2011 Kristiansen D15/86
D702,739 S * 4/2014 Kim D15/86
D714,359 S * 9/2014 Kim D15/85
D771,163 S * 11/2016 Park D15/91
D786,319 S * 5/2017 Kwak D15/86
D788,194 S 5/2017 Kwak et al.

The evenly broken line in the figures depicts unclaimed portions of the refrigerator; the dash-dot-dot broken lines disclose the unclaimed boundaries of the isolated views; the broken lines form no part of the claimed design.

The dot-dot-dash broken lines encircling portions of the claimed design that are illustrated in enlargements form no part of the claimed design.

(Continued)

1 Claim, 10 Drawing Sheets



(56)

References Cited

U.S. PATENT DOCUMENTS

D794,685	S	*	8/2017	Wang	D15/86
D819,751	S	*	6/2018	Follett	D21/524
D825,624	S	*	8/2018	Kwon	D15/91
D838,299	S	*	1/2019	Lee	D15/85
D841,058	S	*	2/2019	Lee	D15/86
D841,700	S	*	2/2019	Lee	F25D 23/00 D15/91
D855,085	S	*	7/2019	Jeon	D15/85
D855,086	S	*	7/2019	Jeon	D15/85
D888,110	S	*	6/2020	Lee	D15/85
D909,434	S	*	2/2021	Iuculano	D15/85
D934,312	S	*	10/2021	Kim	D15/86

* cited by examiner

FIG. 1

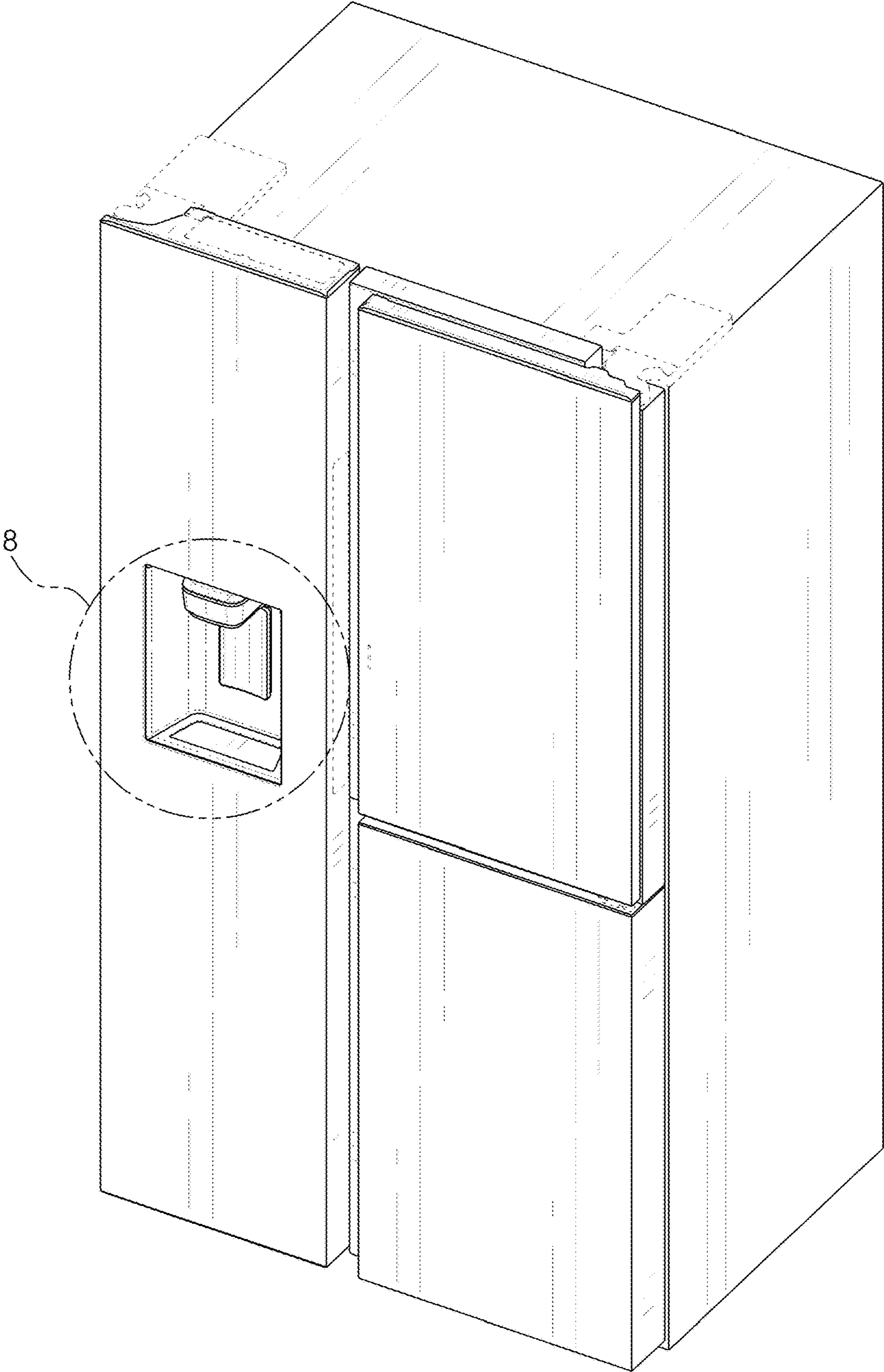


FIG. 2

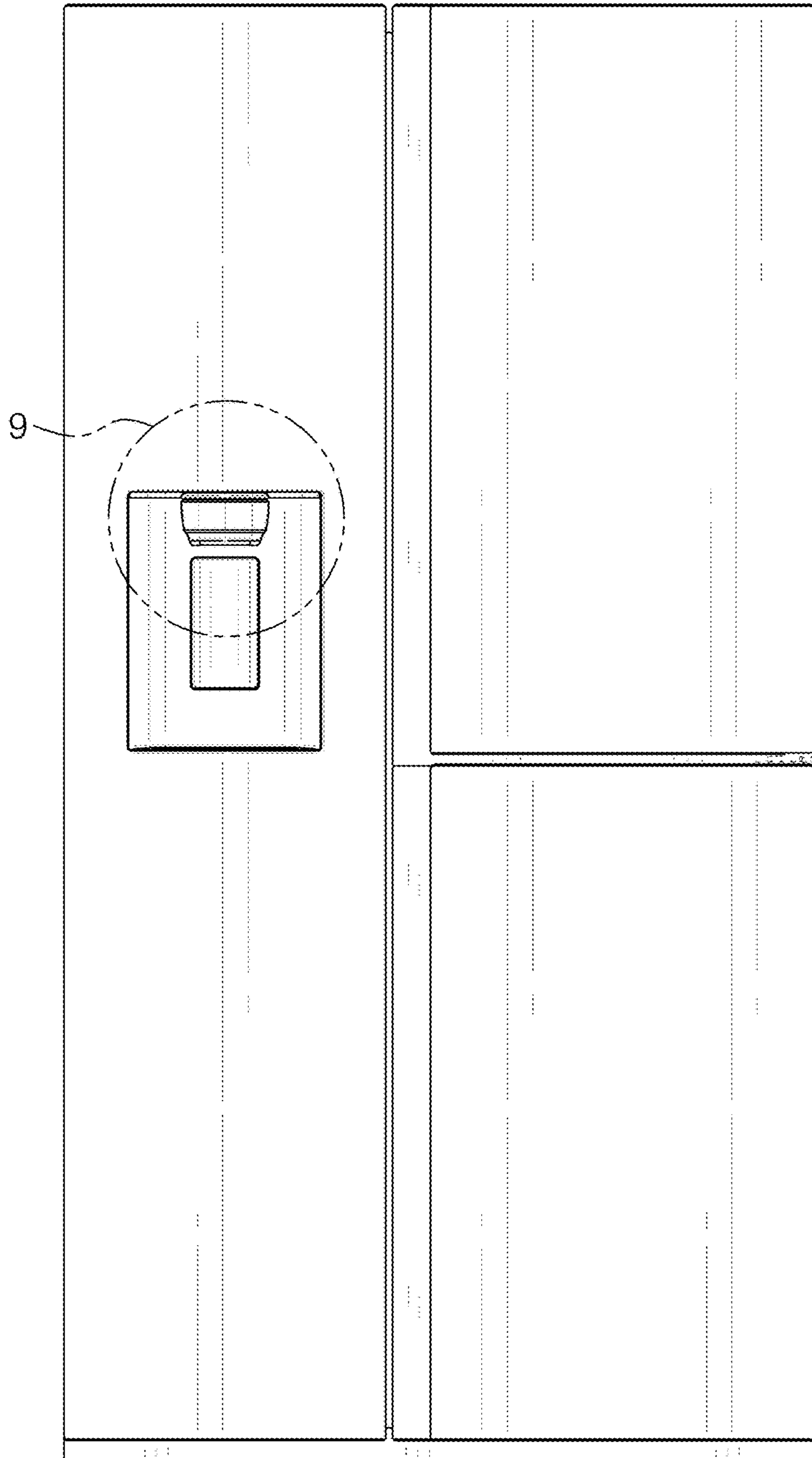


FIG. 3

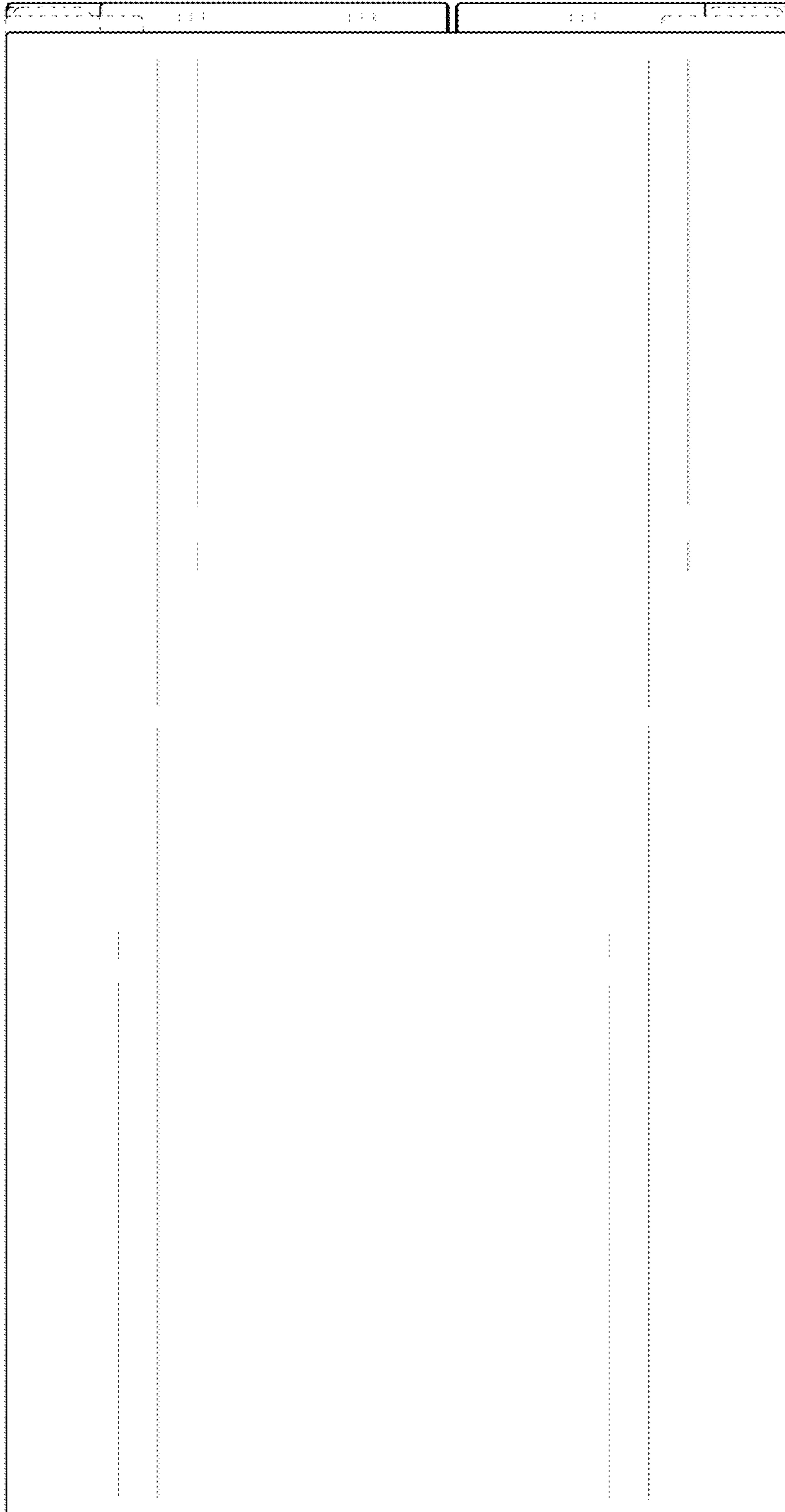


FIG. 4

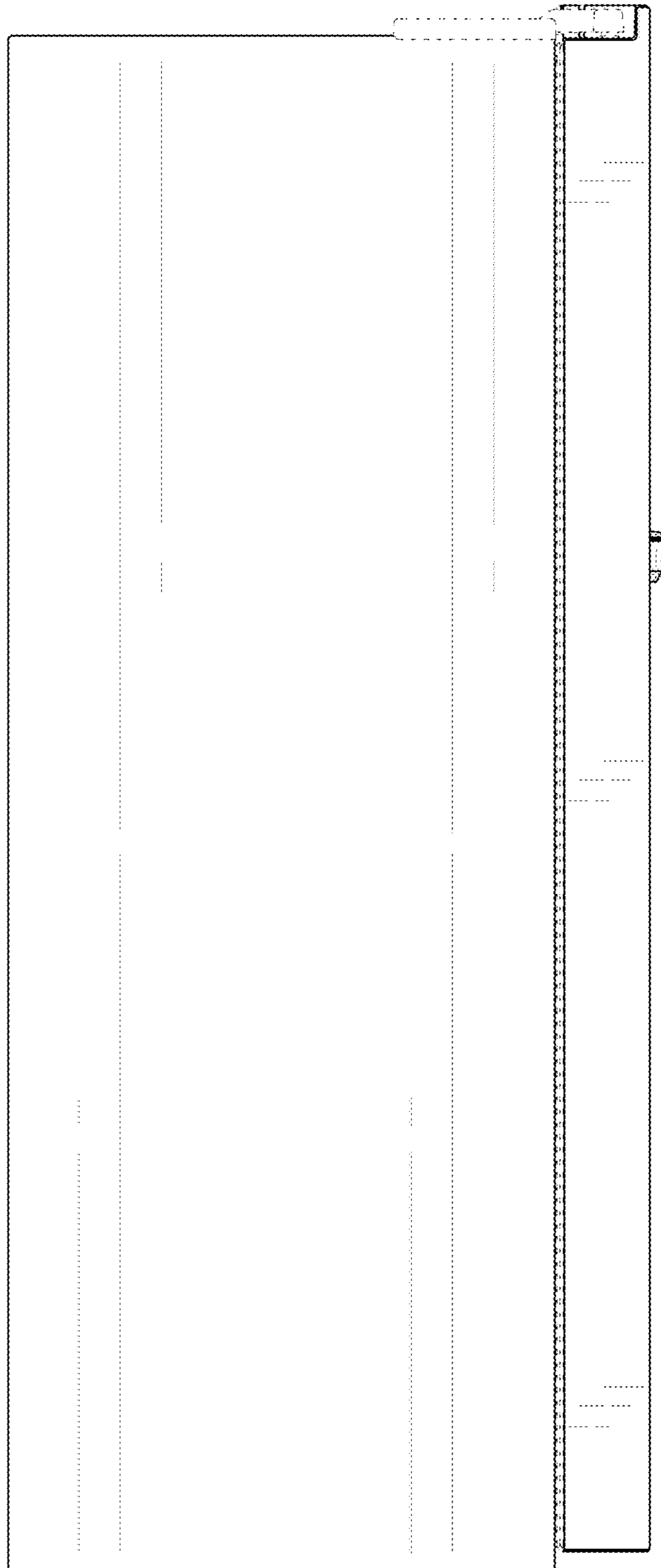


FIG. 5

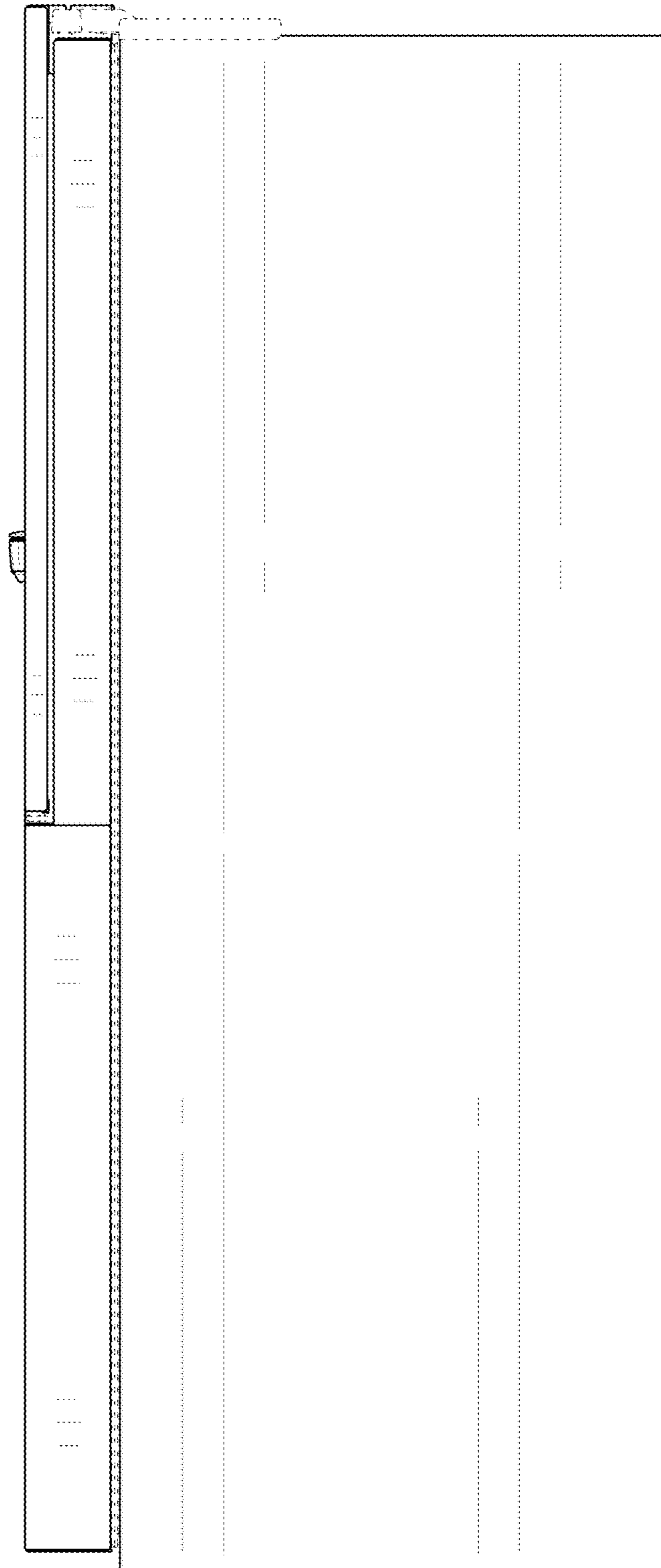


FIG. 6

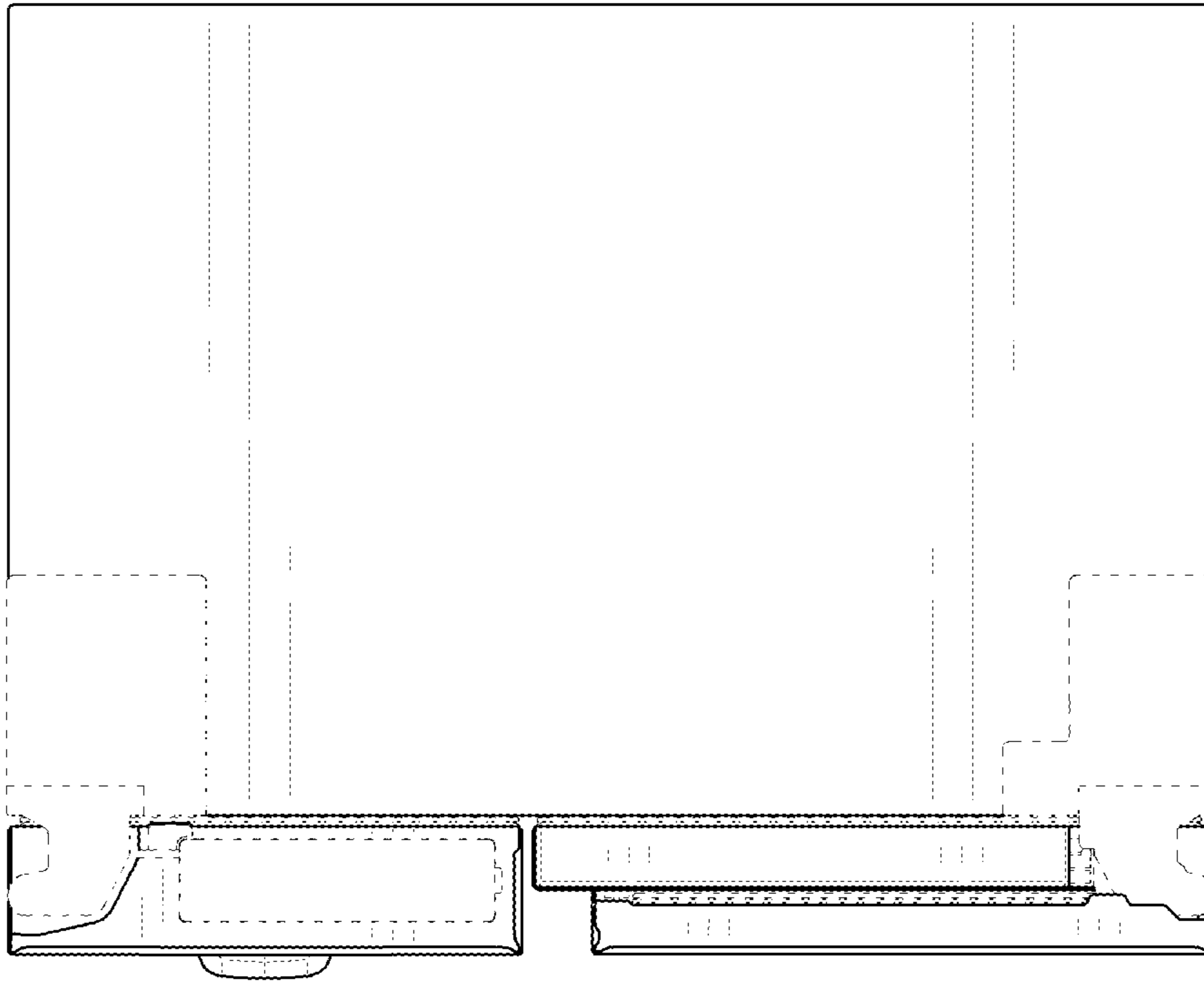


FIG. 7

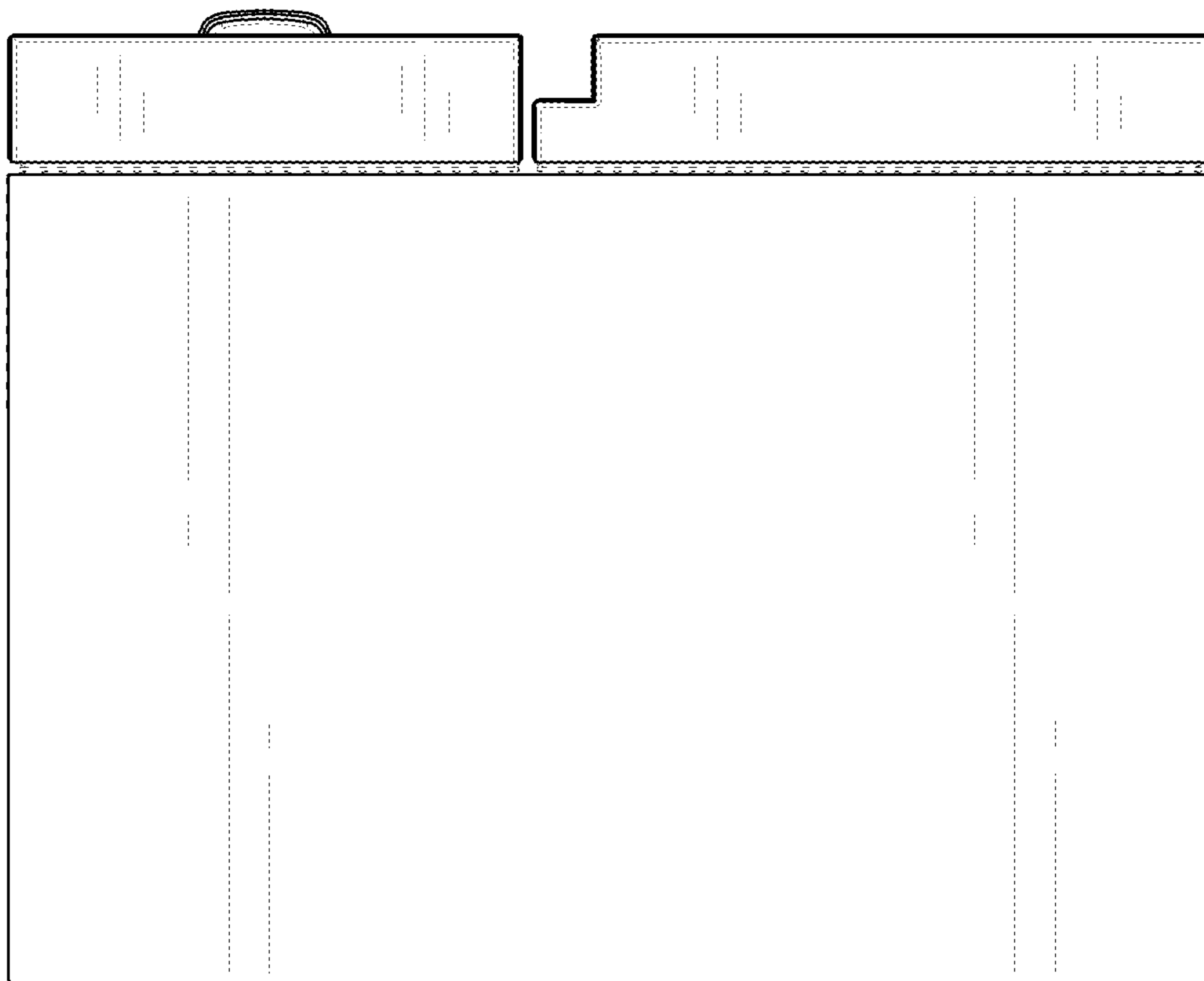


FIG. 8

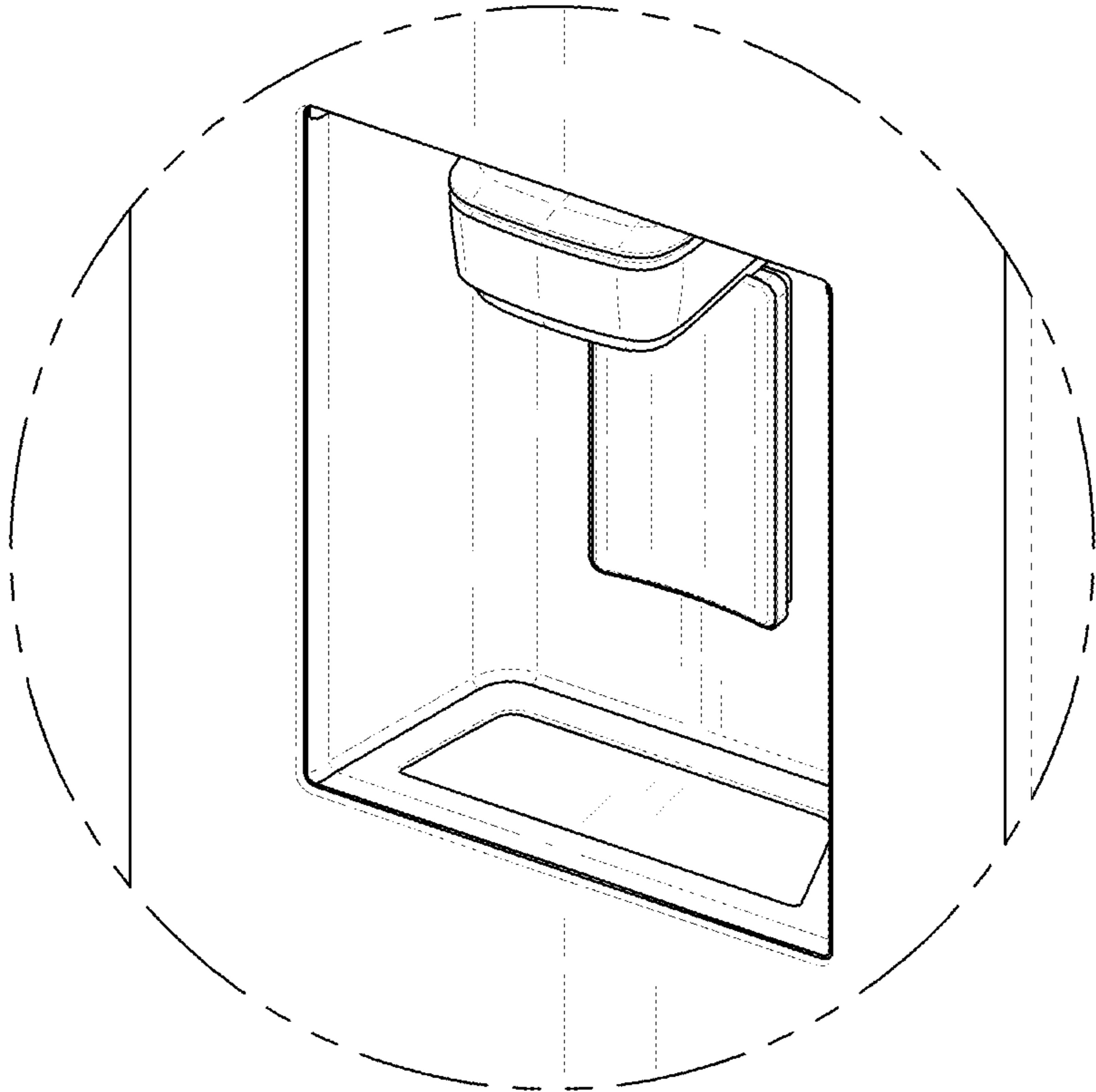


FIG. 9

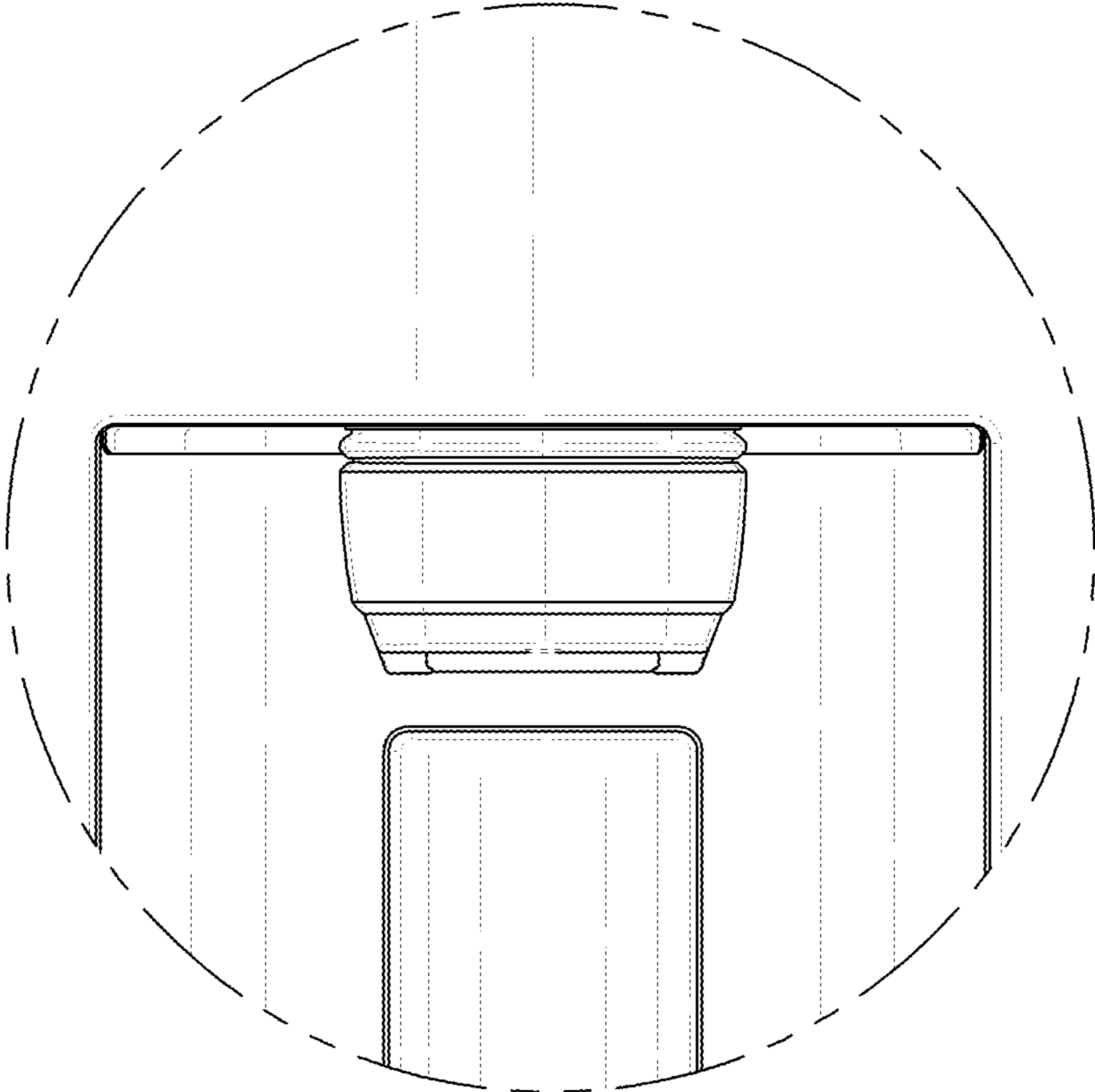


FIG. 10

