



US00D955446S

(12) **United States Design Patent** (10) **Patent No.:** **US D955,446 S**  
**Lin** (45) **Date of Patent:** **\*\* Jun. 21, 2022**

- (54) **ICE MAKER**
- (71) Applicant: **Shenzhen City Yuan Rui Mdt InfoTech Ltd**, Shenzhen (CN)
- (72) Inventor: **Jin-Long Lin**, Brea, CA (US)
- (73) Assignee: **Shenzhen City Yuan Rui Mdt InfoTech Ltd**, Shenzhen (CN)
- (\*\*) Term: **15 Years**
- (21) Appl. No.: **29/809,527**
- (22) Filed: **Sep. 28, 2021**
- (51) **LOC (13) Cl.** ..... **15-07**
- (52) **U.S. Cl.**  
USPC ..... **D15/79**
- (58) **Field of Classification Search**  
USPC ..... D15/79-91; D7/307-308, 369-371  
CPC ..... F25C 5/005; F25C 2400/10; F25C 5/182;  
F25C 1/00; F25C 1/04; F25C 2400/14;  
F25C 5/007; F25C 5/18; F25C 1/10;  
F25C 1/225; F25C 1/12; F25C 2305/022;  
F25C 2400/04; F25C 2500/02; F25C  
5/002; F25C 5/02; F25C 5/046; F25C  
1/20; F25C 2500/06; F25C 1/18; F25C  
2300/00; F25C 2305/00; F25C 2400/06;  
F25C 2400/08; F25C 2400/12; F25C  
2500/00; F25C 2700/04; F25C 2700/10;  
F25C 2700/12; F25C 2700/14; F25C  
5/12; F25C 5/187  
See application file for complete search history.

- (56) **References Cited**  
U.S. PATENT DOCUMENTS  
D92,639 S \* 6/1934 Worthington ..... D15/84  
D142,715 S \* 10/1945 Keller ..... D15/88  
D711,944 S \* 8/2014 Yang ..... D15/90  
D735,251 S \* 7/2015 Jeon ..... D15/89

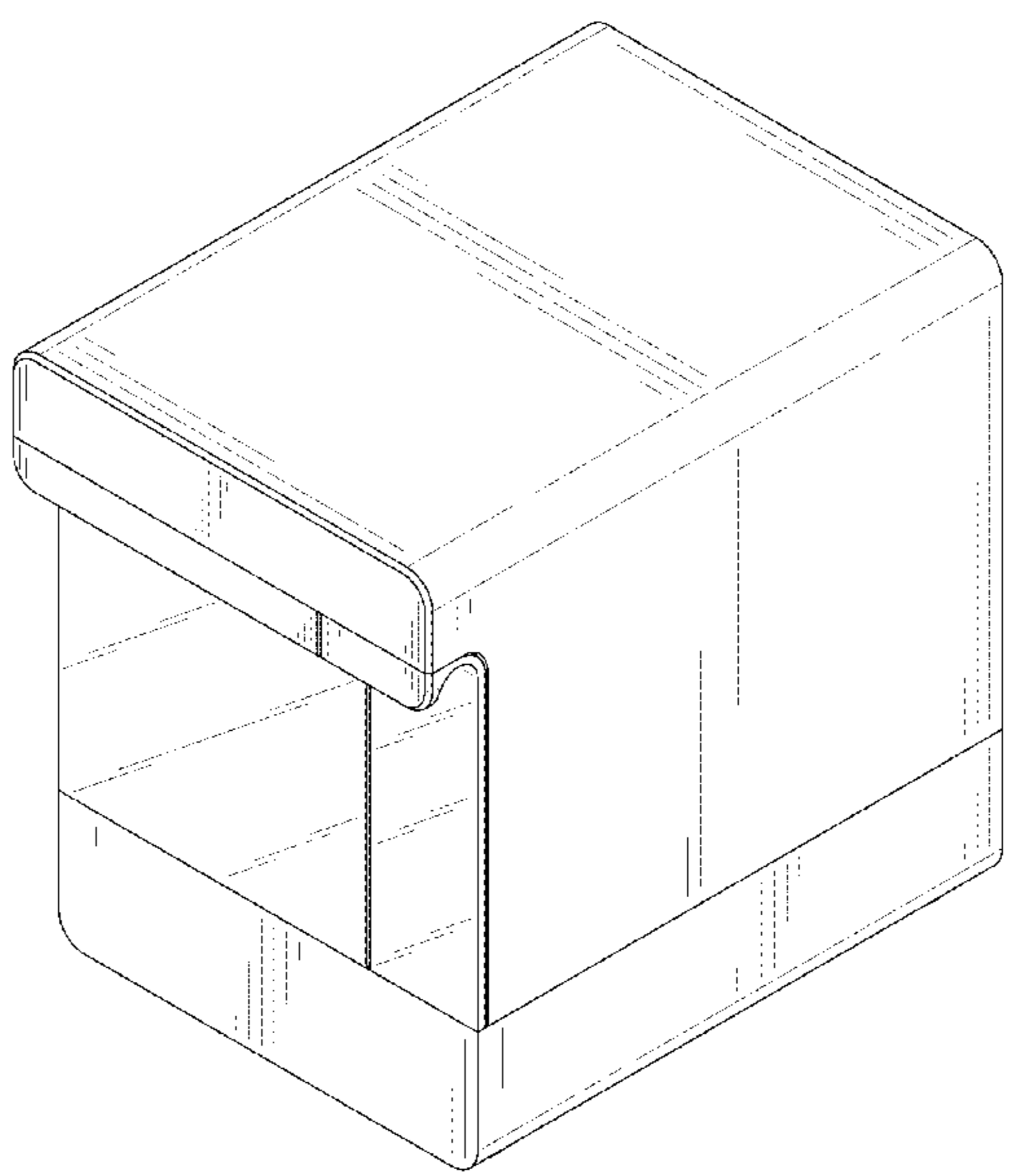
- D745,576 S \* 12/2015 Sherman ..... D15/80
- D763,328 S \* 8/2016 Kim ..... D15/89
- D781,930 S \* 3/2017 Ward
- D837,467 S \* 1/2019 Cadamuro ..... D32/2
- D847,877 S \* 5/2019 Bertolini ..... D15/89
- D853,461 S \* 7/2019 Cheikh ..... D15/199
- D864,300 S \* 10/2019 Pietola ..... D20/5
- D868,893 S \* 12/2019 Broen ..... D20/1
- D873,068 S \* 1/2020 Wilson ..... D7/376
- D877,212 S \* 3/2020 Kim ..... D15/81
- D878,465 S \* 3/2020 Bäckström ..... D20/1
- D886,163 S \* 6/2020 Yao ..... D15/81

\* cited by examiner  
*Primary Examiner* — Khawaja Anwar  
(74) *Attorney, Agent, or Firm* — ScienBiziP, P.C.

(57) **CLAIM**  
The ornamental design for an ice maker, as shown and described.

**DESCRIPTION**  
FIG. 1 is a front, right, and top perspective view of an ice maker, showing my design.  
FIG. 2 is a rear, left, and bottom perspective view of the ice maker in FIG. 1.  
FIG. 3 is a front view of the ice maker in FIG. 1.  
FIG. 4 is a rear view of the ice maker in FIG. 1.  
FIG. 5 is a left side view of the ice maker in FIG. 1.  
FIG. 6 is a right side view of the ice maker in FIG. 1.  
FIG. 7 is a top view of the ice maker in FIG. 1.  
FIG. 8 is a bottom view of the ice maker in FIG. 1.  
FIG. 9 is another front, right, and top perspective view of the ice maker in FIG. 1 in a first state; and,  
FIG. 10 is another front, right, and top perspective view of the ice maker in FIG. 1 in a second state.  
The broken lines shown in the drawings are included for the purpose of illustrating portions of the ice maker that form no part of the claimed design.

**1 Claim, 10 Drawing Sheets**



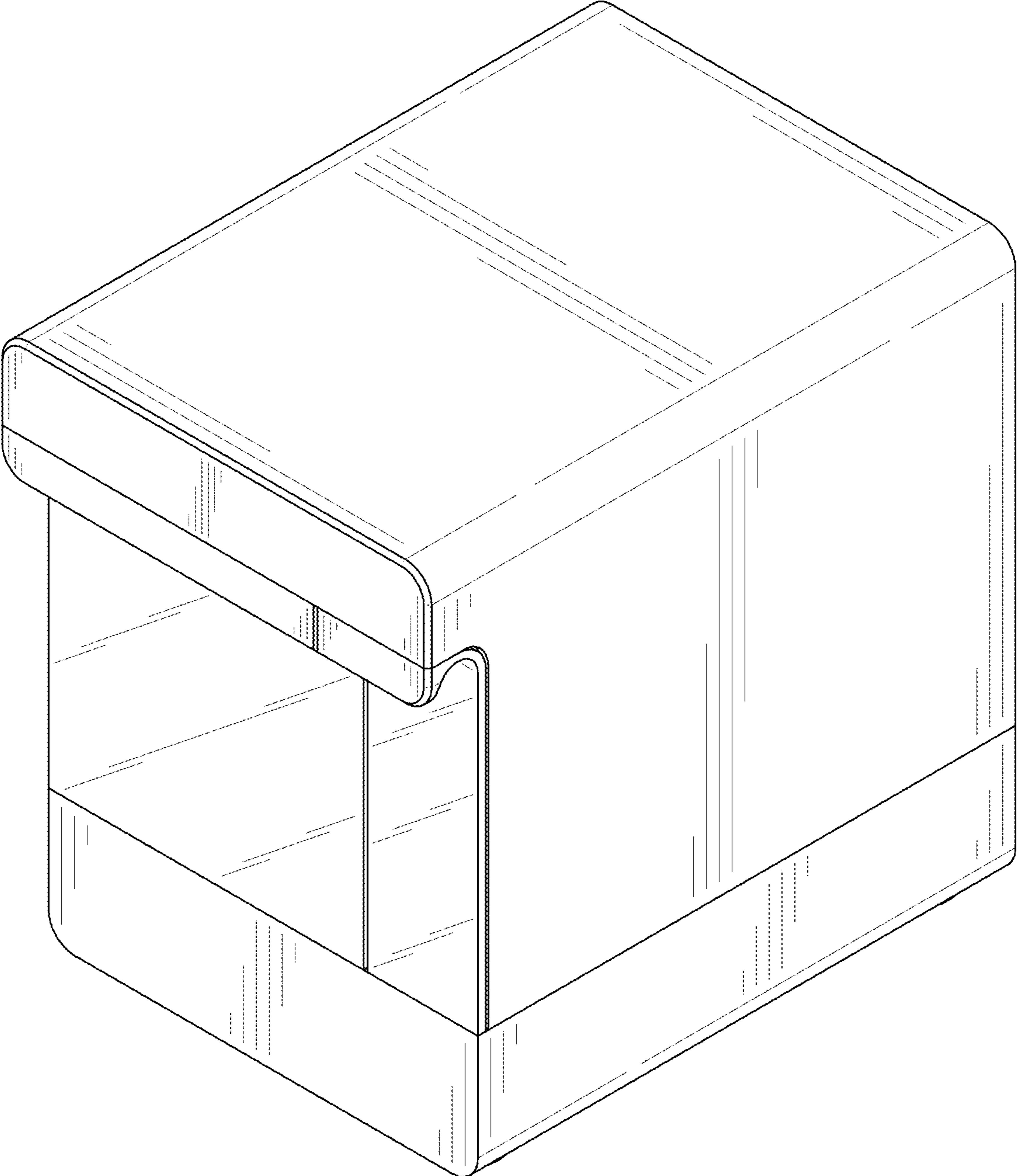


FIG. 1

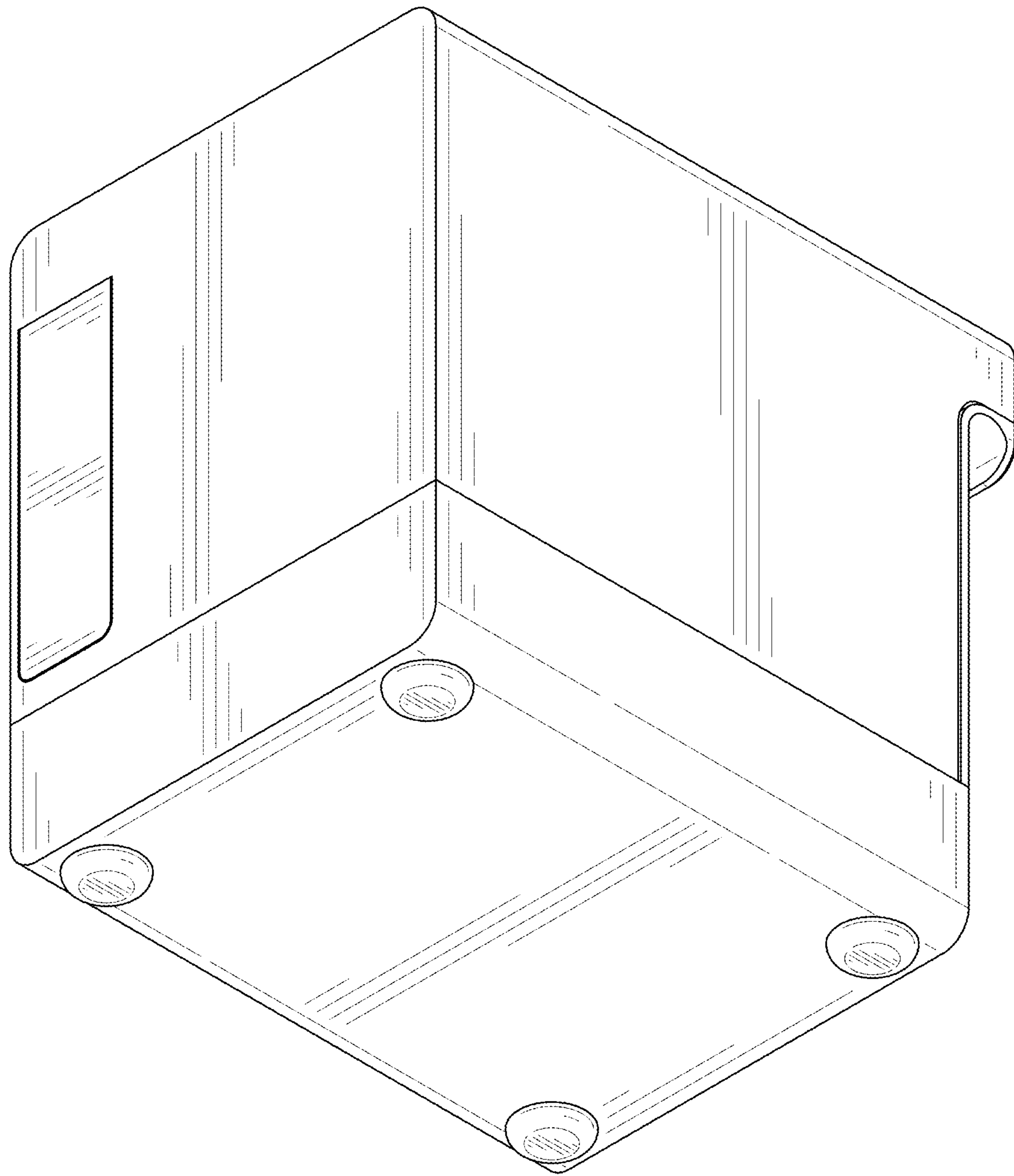


FIG. 2

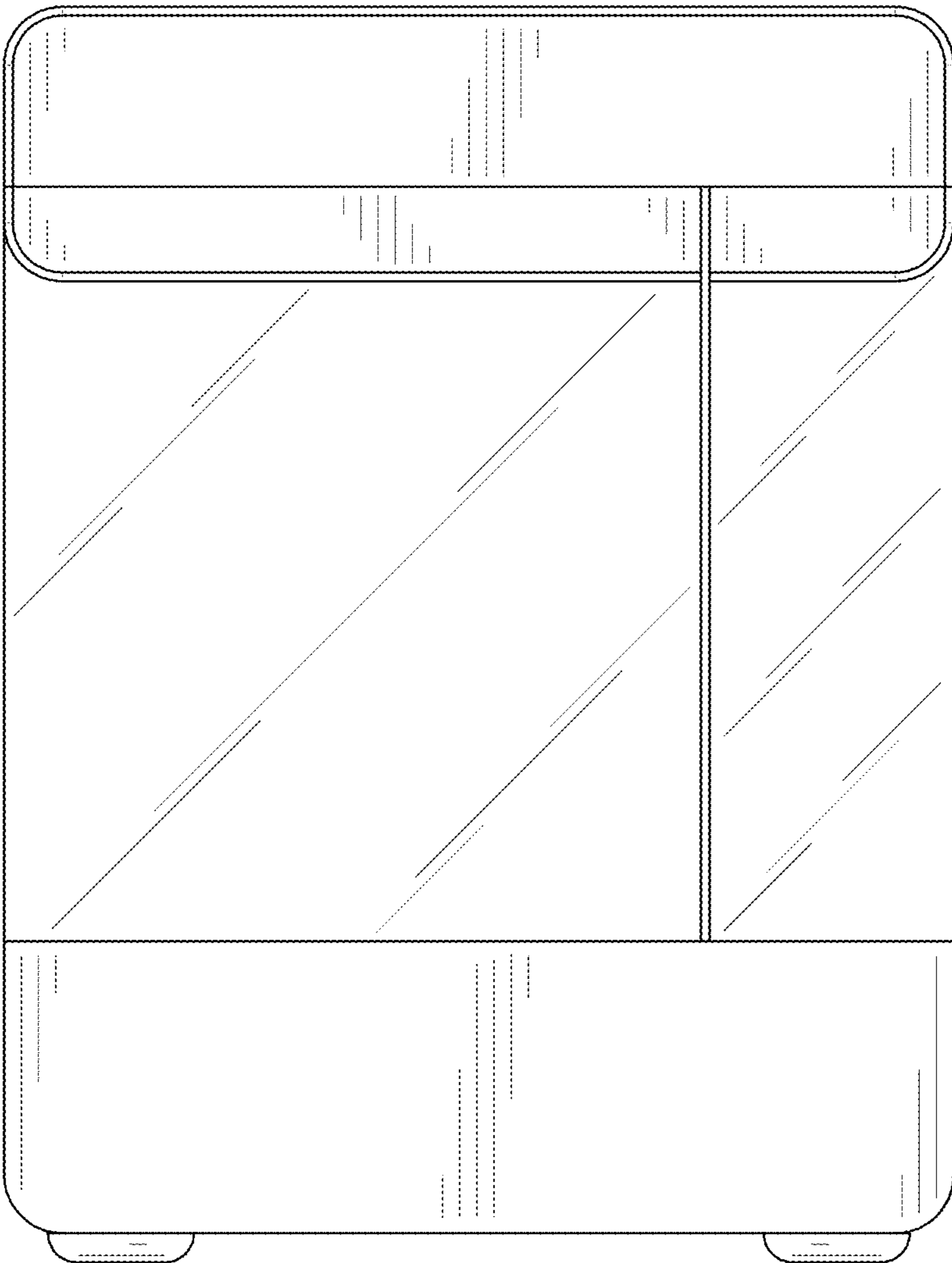


FIG. 3

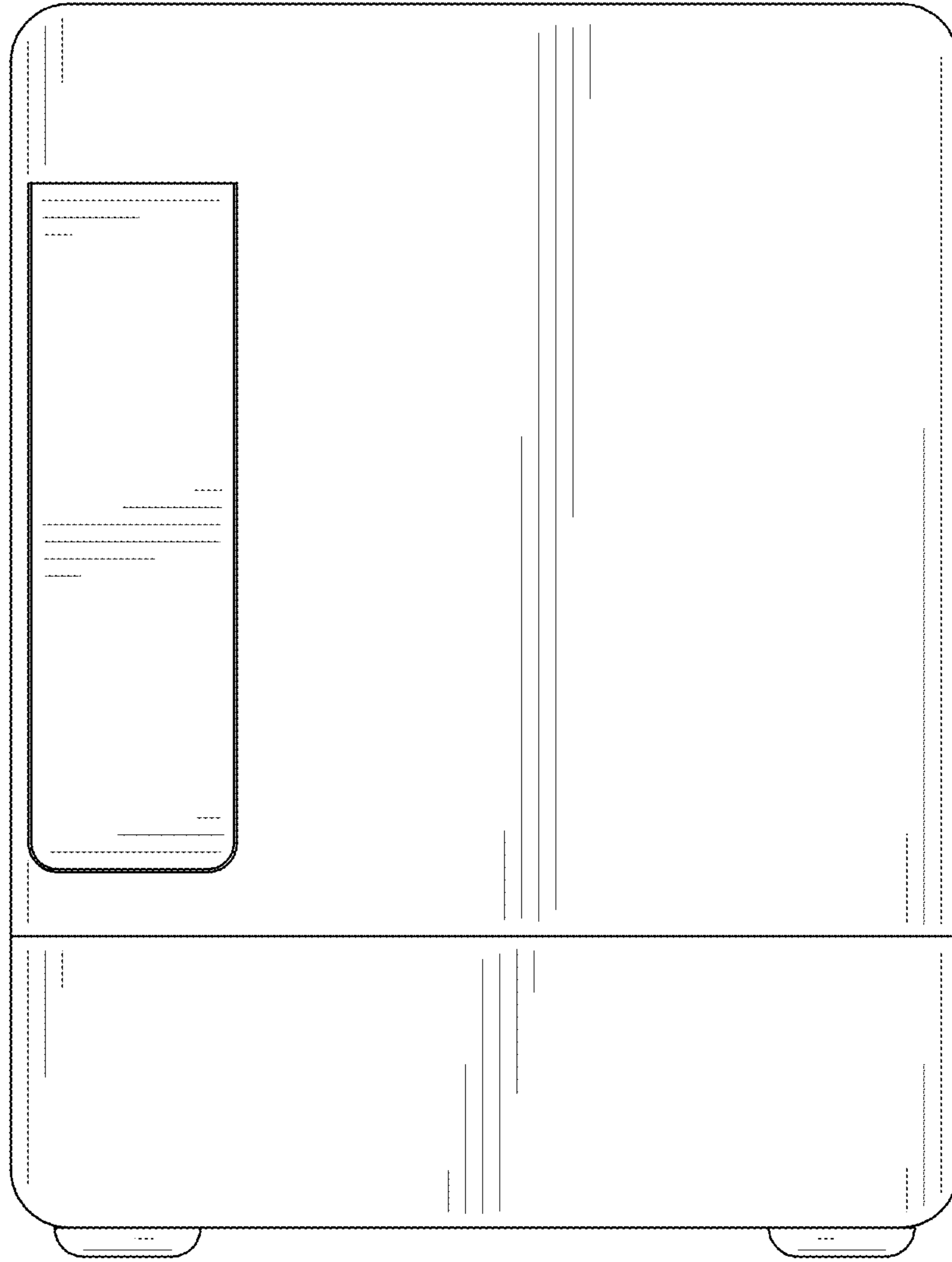


FIG. 4

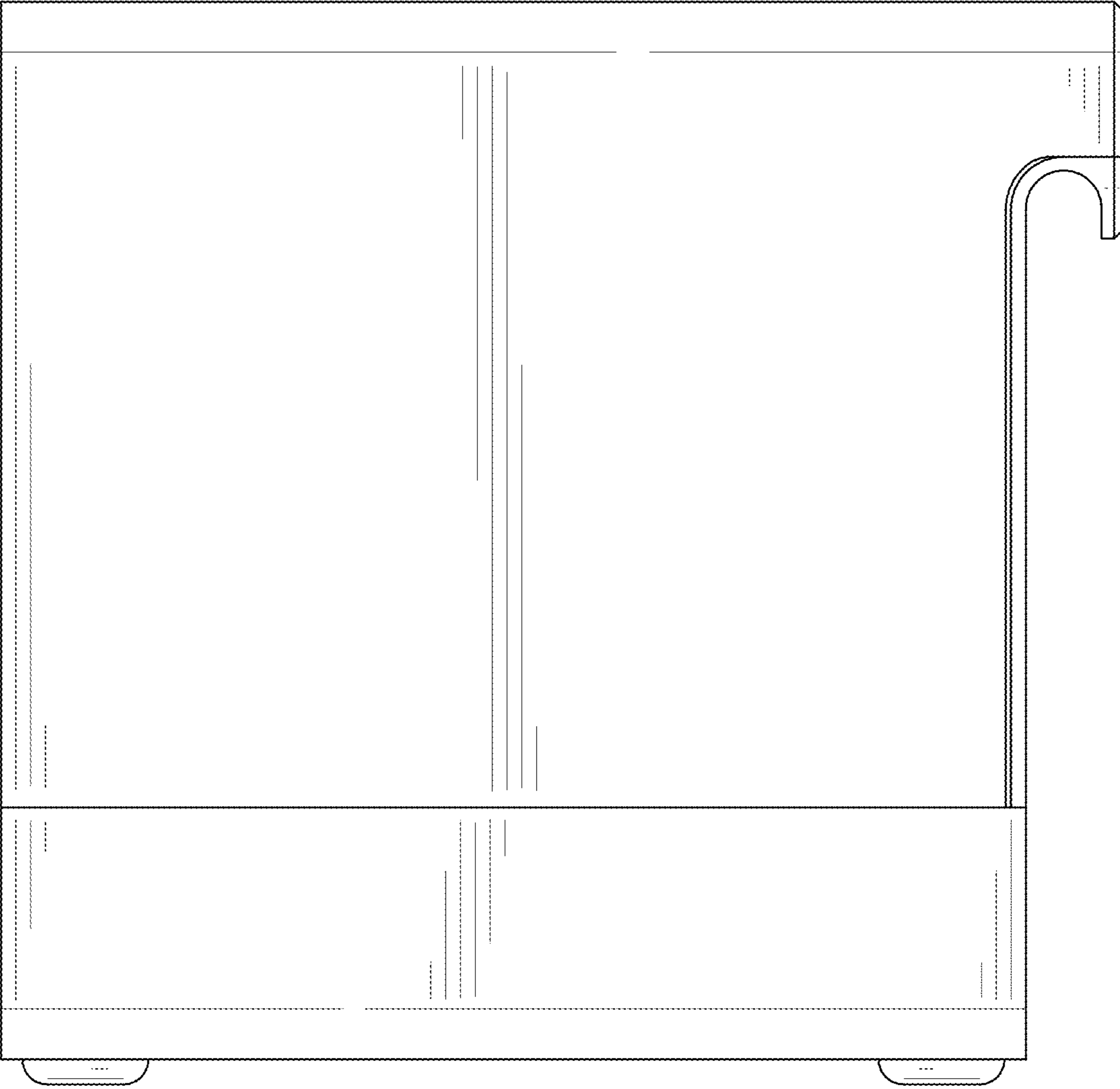


FIG. 5

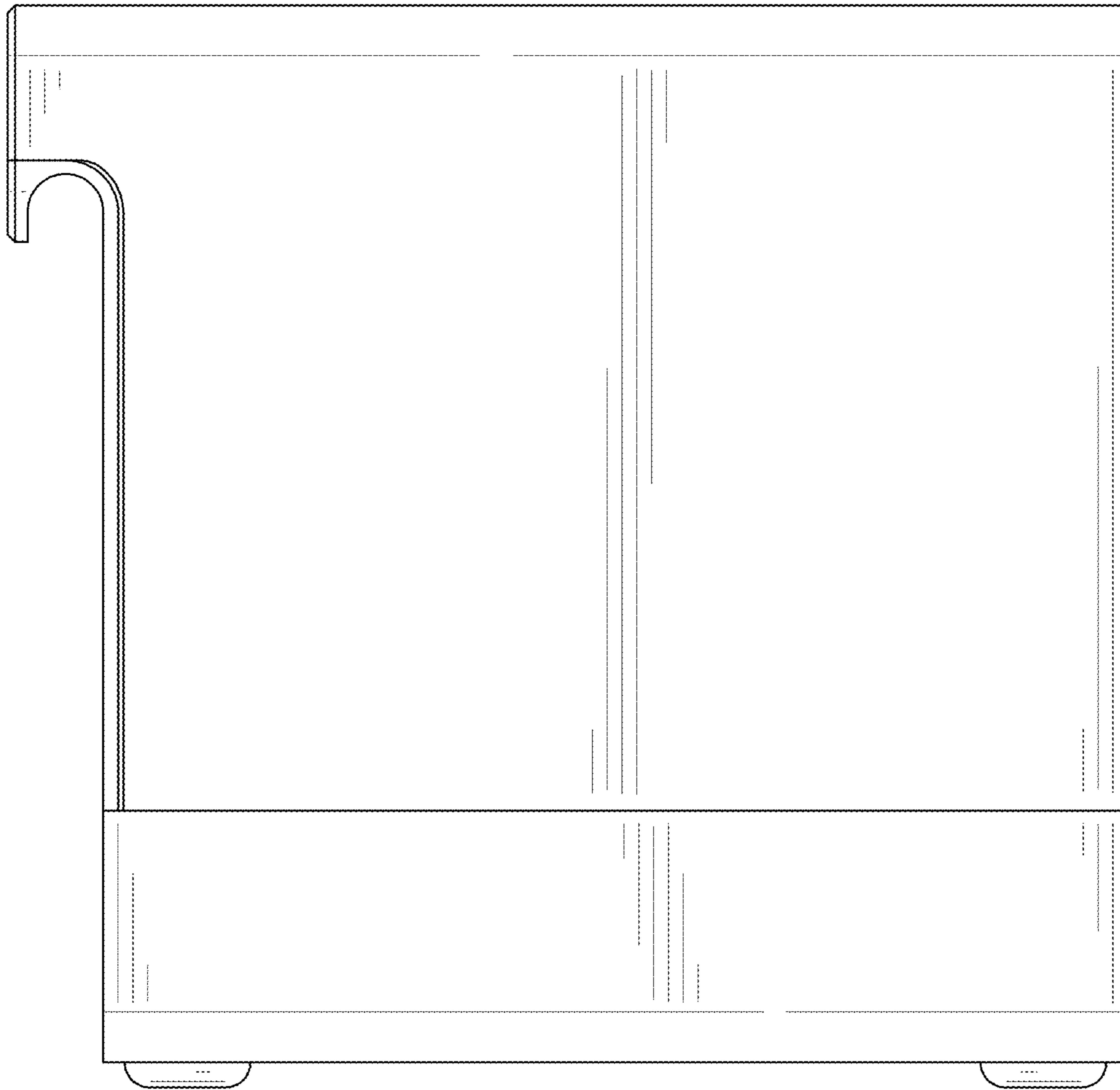


FIG. 6

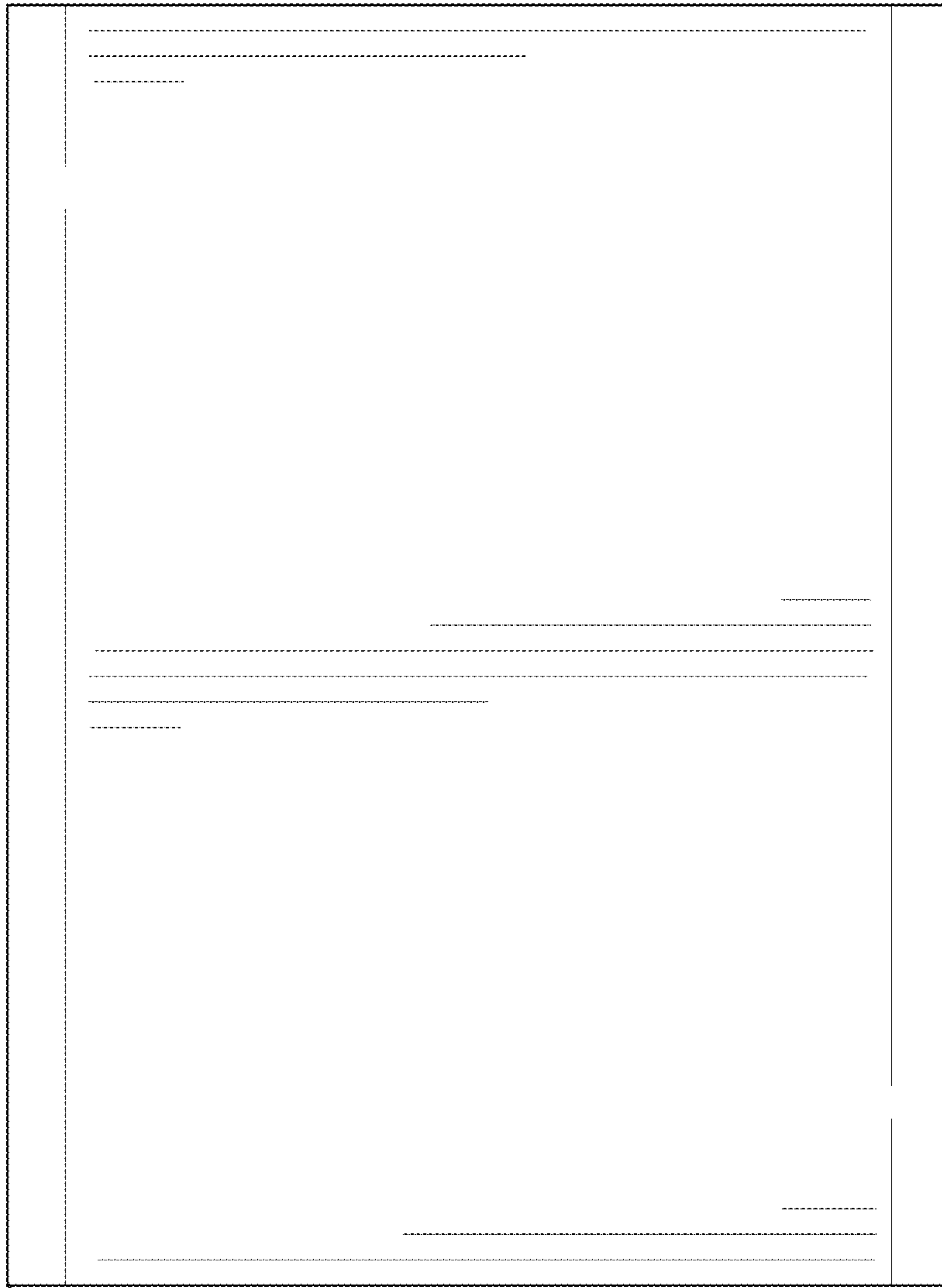


FIG. 7



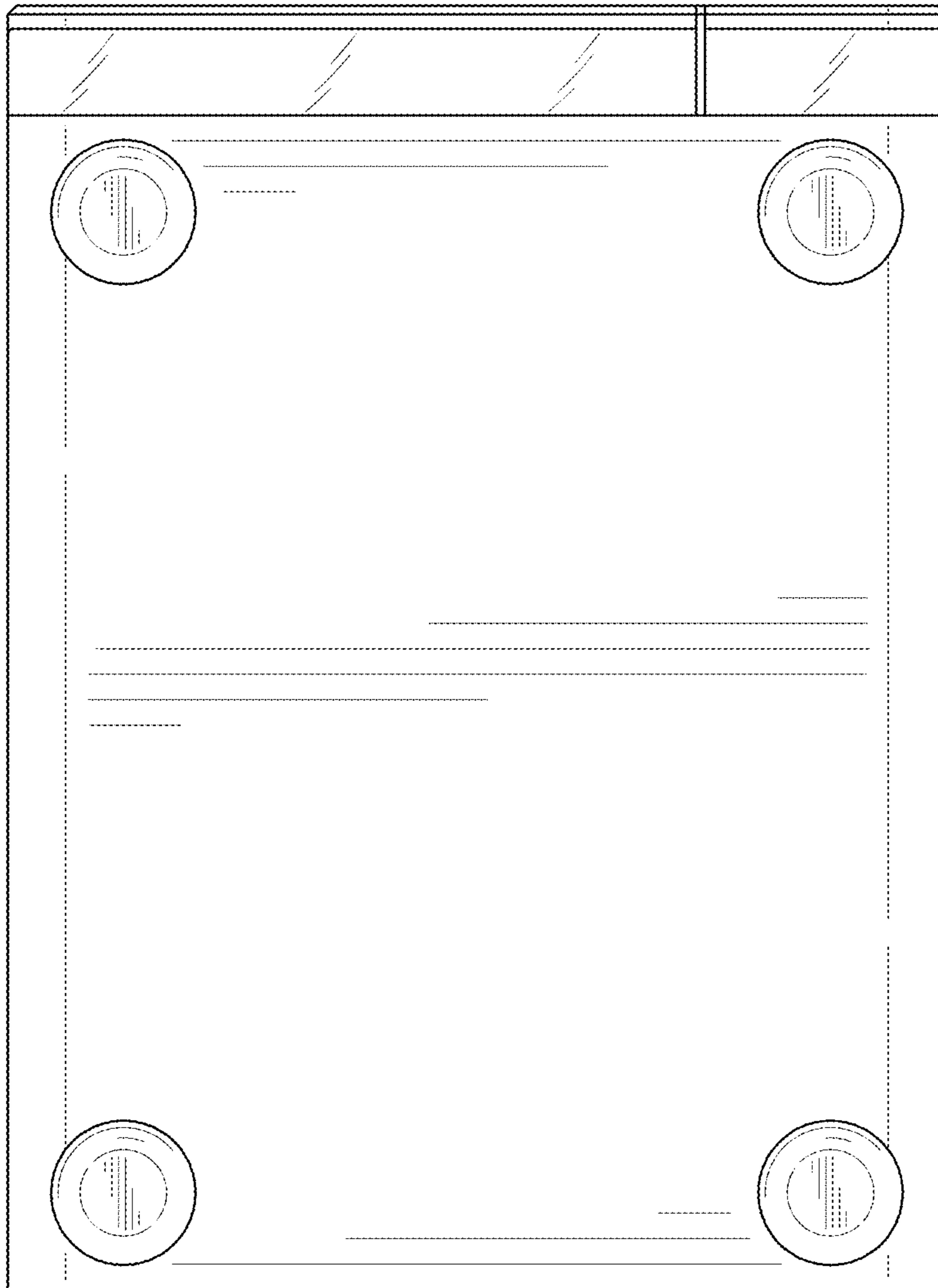


FIG. 8

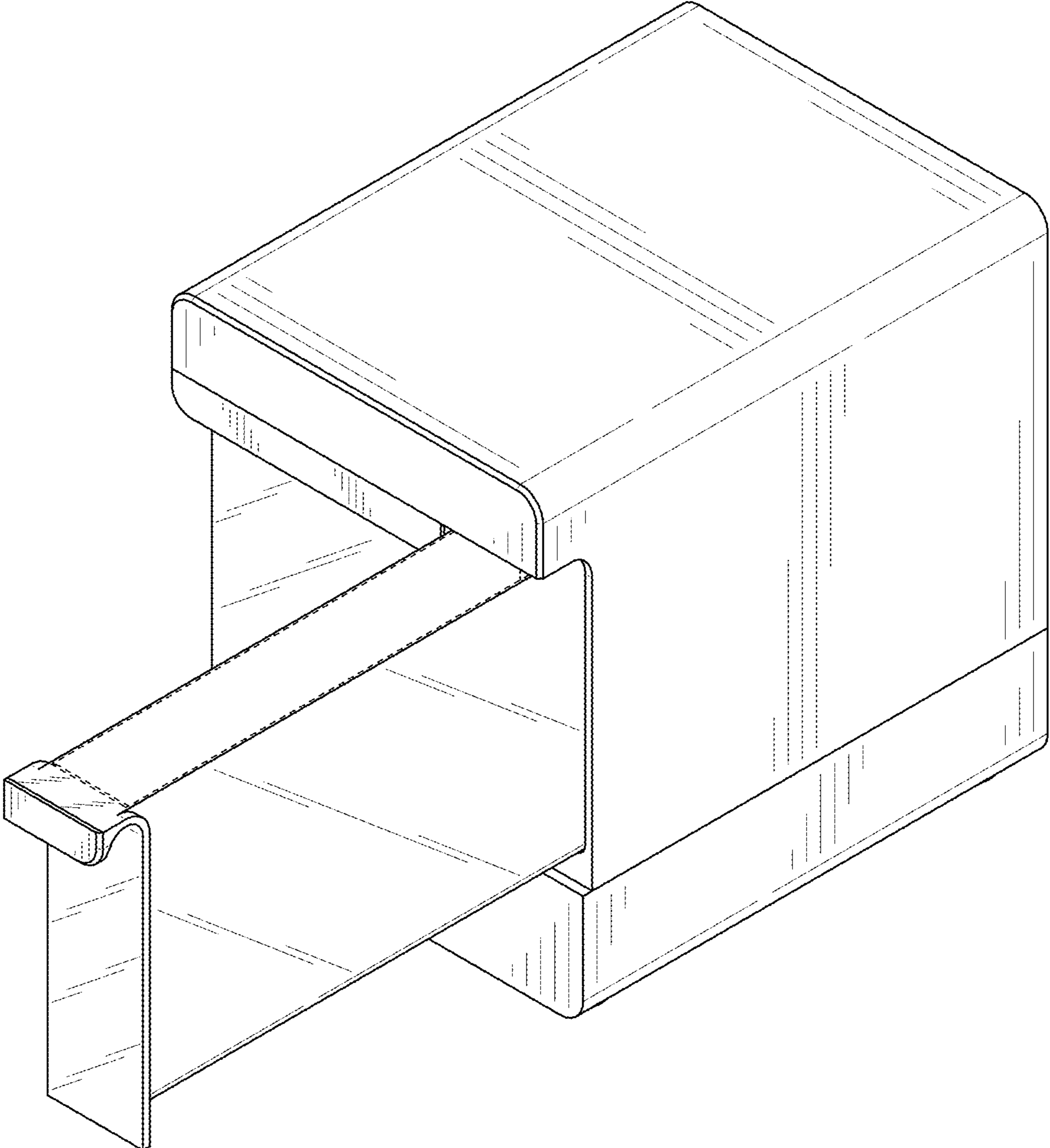


FIG. 9

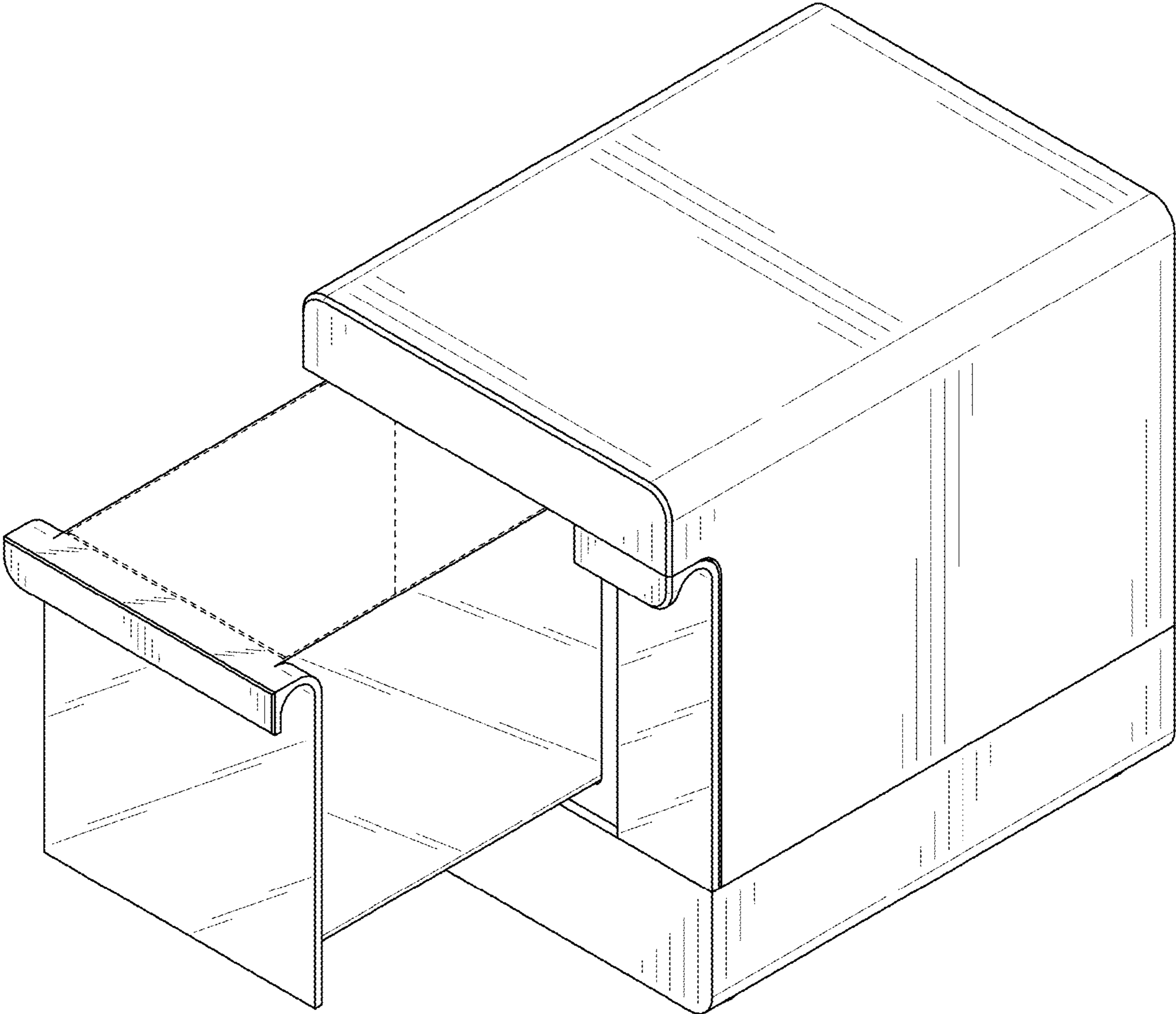


FIG. 10