



US00D955445S

(12) **United States Design Patent**  
**Ng**

(10) **Patent No.:** **US D955,445 S**  
(45) **Date of Patent:** **\*\* Jun. 21, 2022**

(54) **LOOM**

(71) Applicant: **Choon's Design LLC**, Farmington Hills, MI (US)

(72) Inventor: **Cheong Choon Ng**, Novi, MI (US)

(73) Assignee: **CHOON'S DESIGN LLC**, Farmington Hills, MI (US)

(\*\*) Term: **15 Years**

(21) Appl. No.: **29/740,135**

(22) Filed: **Jul. 1, 2020**

(51) **LOC (13) Cl.** ..... **15-06**

(52) **U.S. Cl.**  
USPC ..... **D15/78**

(58) **Field of Classification Search**  
USPC ..... D15/66, 69, 72, 78; D24/222; D19/108  
CPC . D04D 7/02; D04D 7/04; D04D 11/00; D04C 7/00; B65H 69/04; D03D 29/00; D03D 49/62; D03D 47/278; D03D 47/302; D04B 3/02; D04B 33/00; D04B 37/00; D04B 31/00; A44C 27/00; A44C 5/0069; G06F 9/453; H04W 4/38; D05B 3/00; D05B 3/02; D05B 3/24; D05B 3/243  
See application file for complete search history.

(56) **References Cited**

**U.S. PATENT DOCUMENTS**

D582,221 S \* 12/2008 Vendl ..... D7/675  
D604,999 S \* 12/2009 Ablo ..... D7/675

D748,158 S \* 1/2016 Ng ..... D15/66  
D755,258 S \* 5/2016 Ng ..... D15/66  
2008/0223083 A1\* 9/2008 Gustin ..... D04B 5/00 66/4

**OTHER PUBLICATIONS**

Rainbow Loom, Rainbow Loom Neon Jumbo Bucket with 2X Happy Loom (B0327), (first available Feb. 10, 2021), Amazon.com, URL: <<https://www.amazon.com/Rainbow-Loom-Jumbo-Bucket-B0327/dp/B08WDN7LYL>> (Year: 2021).\*

\* cited by examiner

*Primary Examiner* — Calvin E Vansant

*Assistant Examiner* — Mark T. Philipps

(74) *Attorney, Agent, or Firm* — Carlson, Gaskey & Olds, P.C.

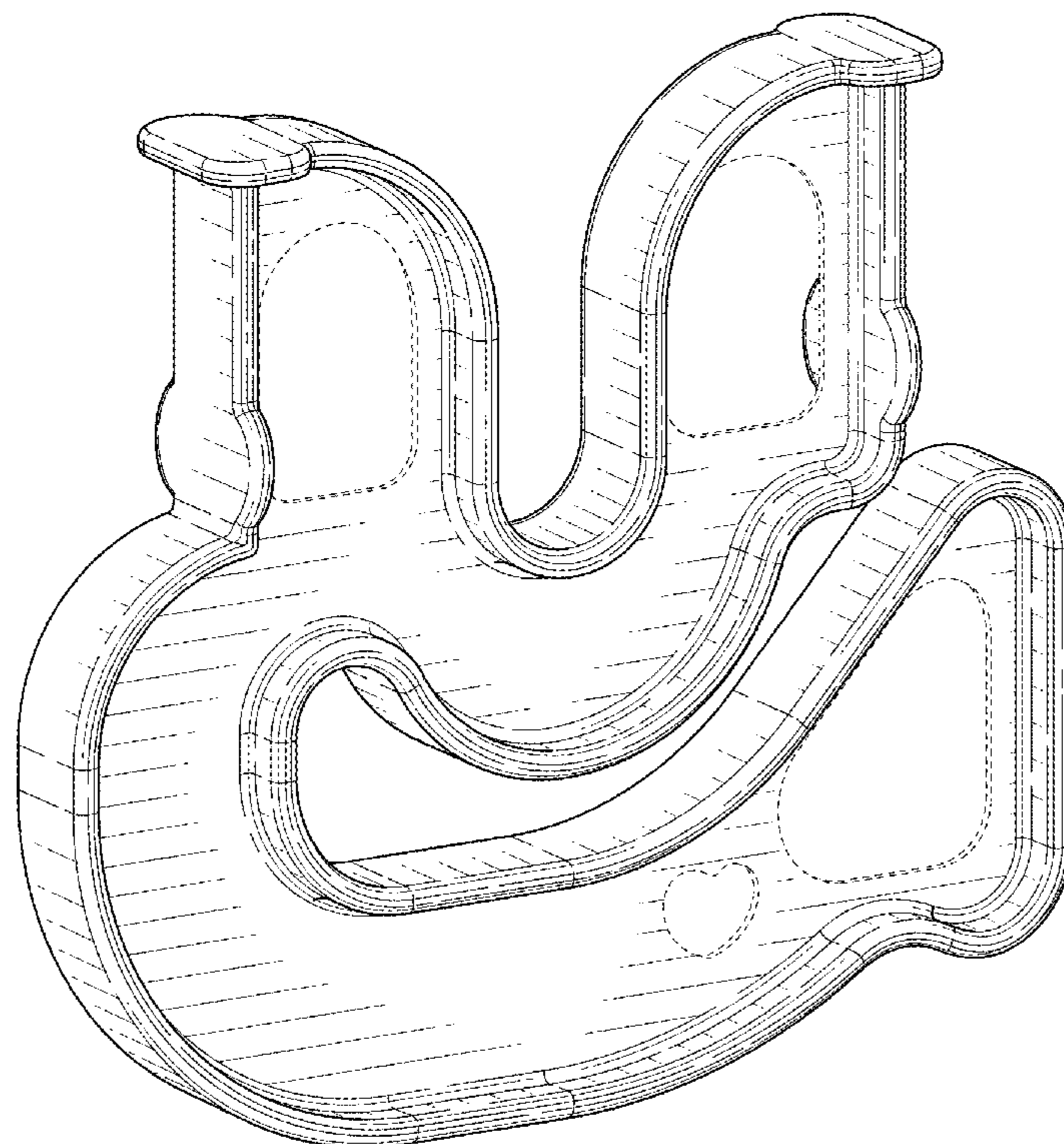
(57) **CLAIM**

I claim the ornamental design for a loom, as shown and described.

**DESCRIPTION**

FIG. 1 is a perspective view of the loom.  
FIG. 2 is a front view of a front side of the loom.  
FIG. 3 is a back view of a back side of the loom.  
FIG. 4 is a first side view a first side of the loom.  
FIG. 5 is a second view of a second side of the loom.  
FIG. 6 is a top view of a top side of the loom; and,  
FIG. 7 is a bottom view of a bottom side the loom.  
The broken lines represent portions of the loom and form no part of the claimed design.

**1 Claim, 4 Drawing Sheets**



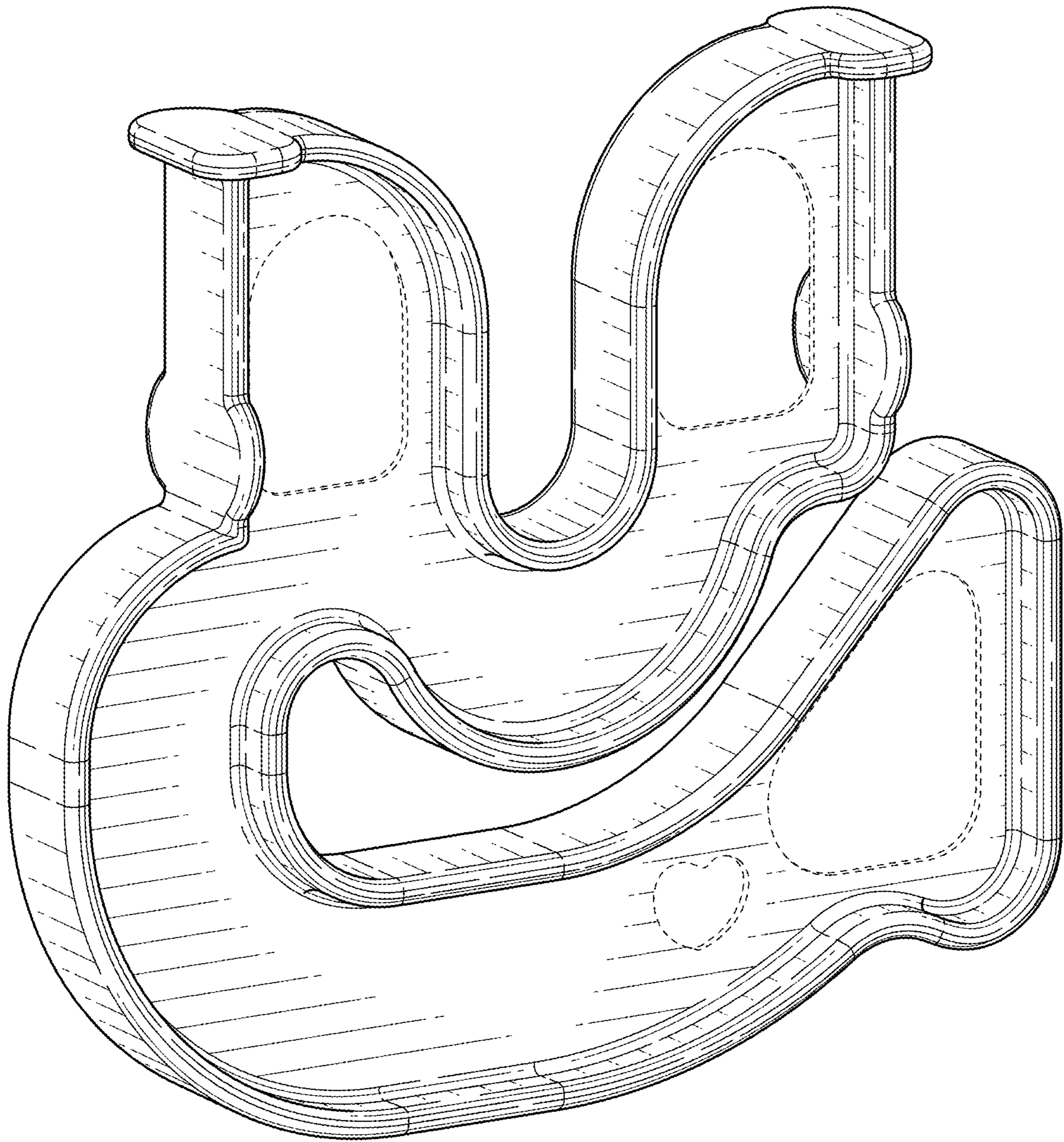


FIG. 1

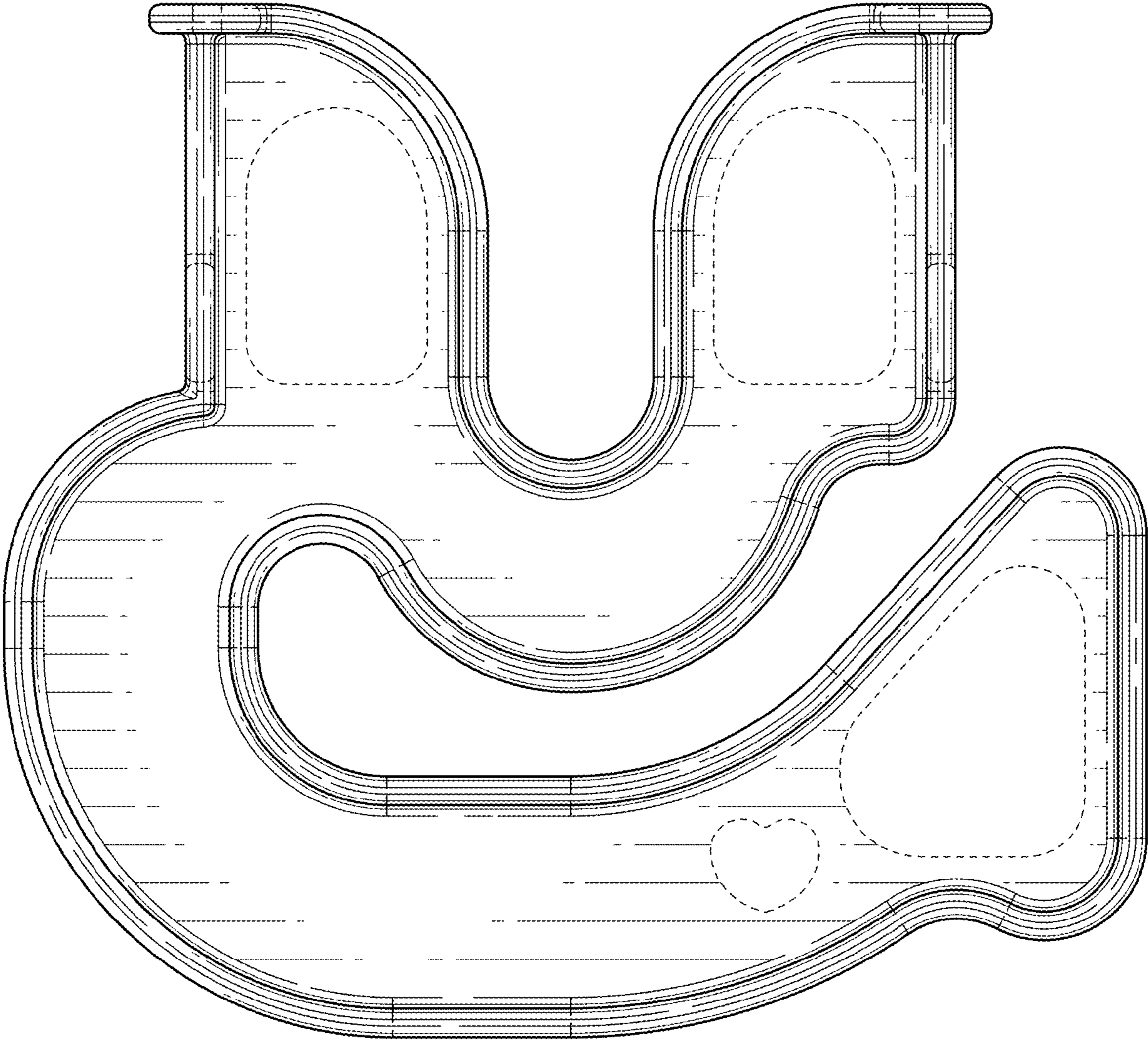


FIG. 2

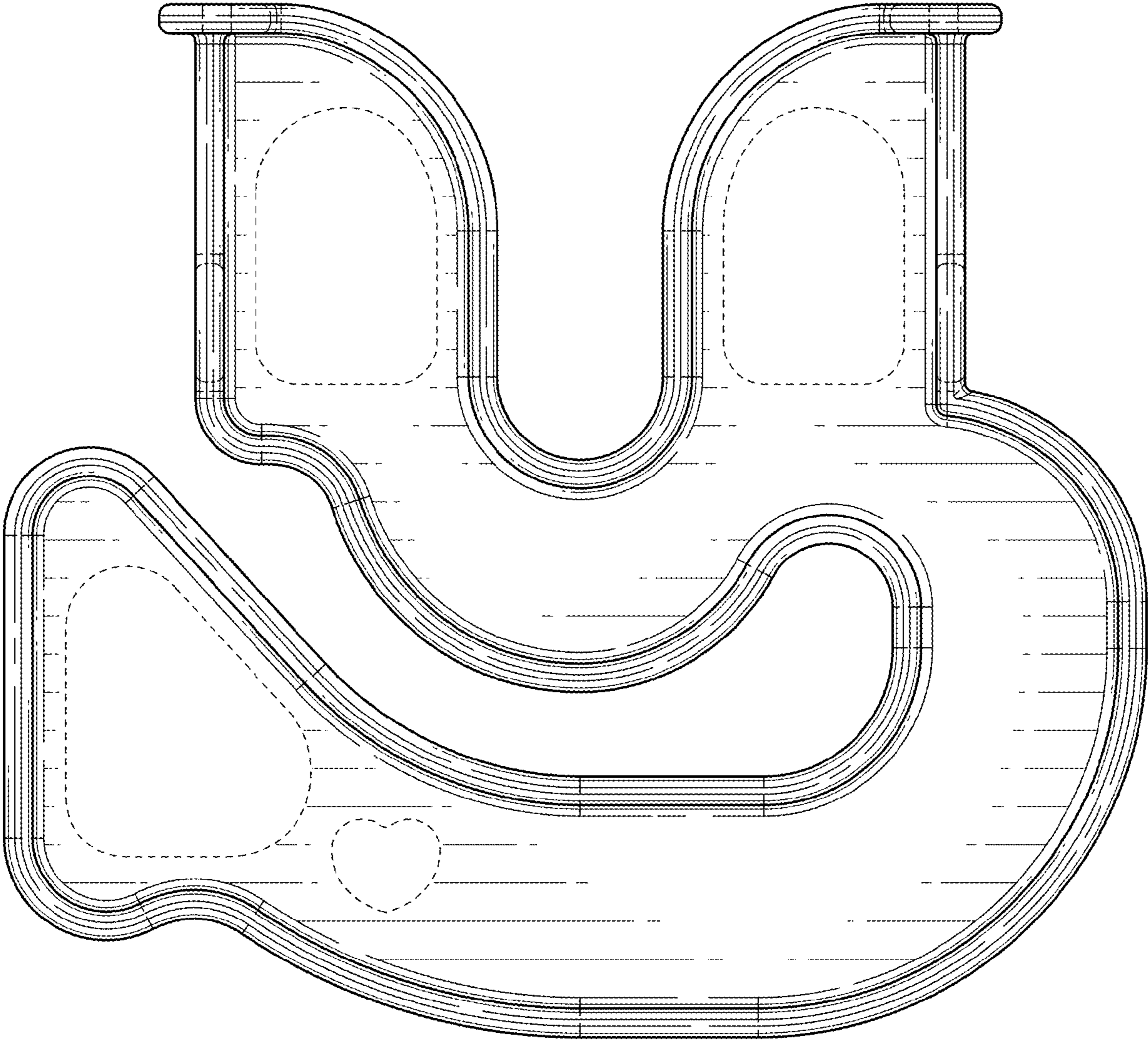


FIG. 3

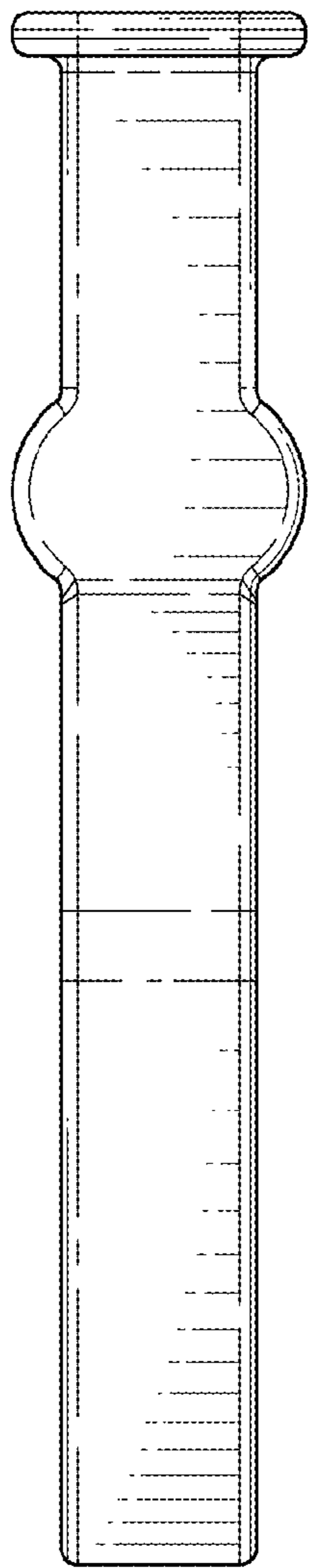


FIG. 4

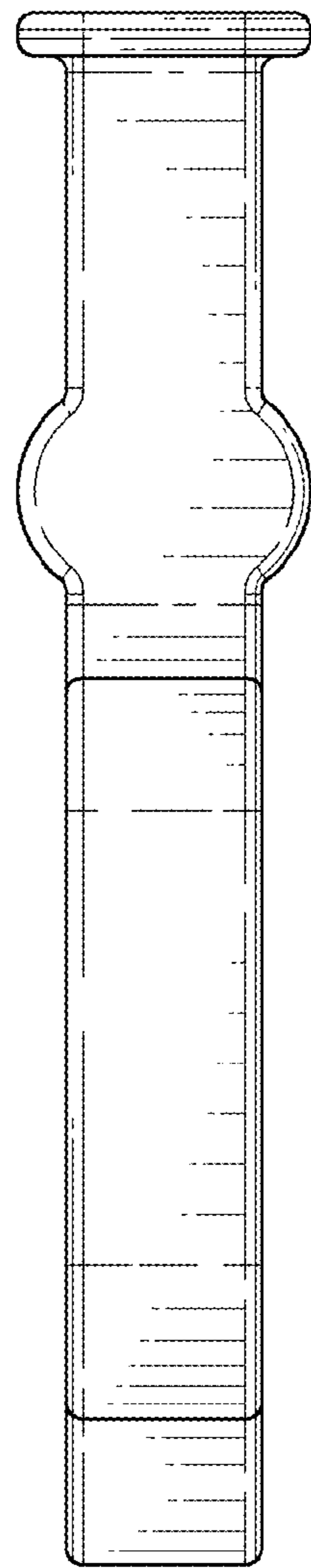


FIG. 5

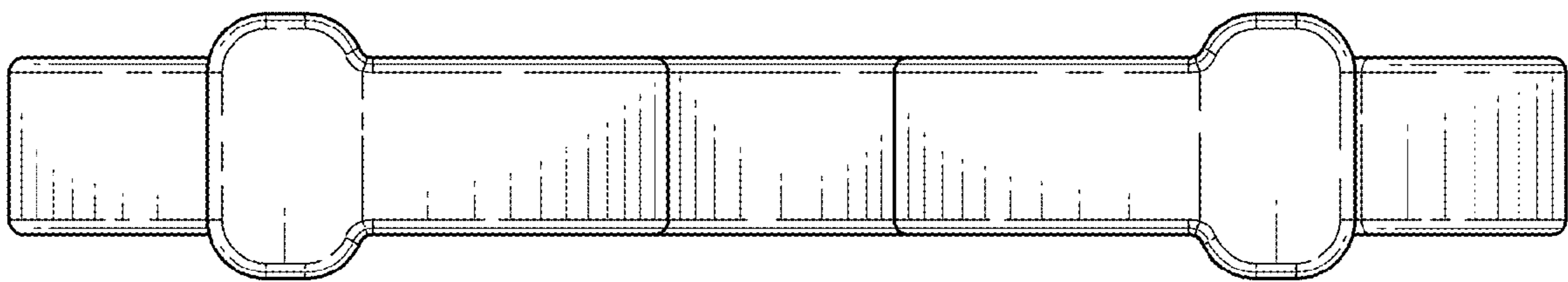


FIG. 6

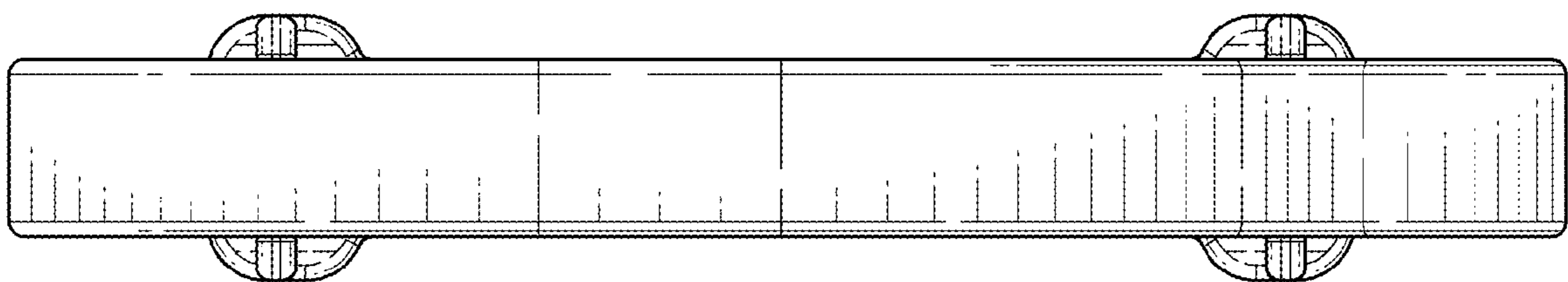


FIG. 7