



US00D955444S

(12) **United States Design Patent**  
**Kudo**

(10) **Patent No.:** **US D955,444 S**  
(45) **Date of Patent:** **\*\* Jun. 21, 2022**

(54) **SEWING MACHINE**  
(71) Applicant: **Suzuki Manufacturing, Ltd.**, Yamagata (JP)  
(72) Inventor: **Shigenori Kudo**, Yamagata (JP)  
(73) Assignee: **SUZUKI MANUFACTURING, LTD.**, Yamagata (JP)  
(\*\*) Term: **15 Years**

D555,176 S \* 11/2007 Ogawa ..... D15/69  
D579,030 S \* 10/2008 Woehrle ..... D15/70  
D601,594 S \* 10/2009 Gustafsson ..... D15/69  
D628,605 S \* 12/2010 Mutoh ..... D15/69  
D632,706 S \* 2/2011 Hattori ..... H02K 9/19  
D15/69  
D648,757 S \* 11/2011 Muto ..... D15/69  
D664,161 S \* 7/2012 Asano ..... D15/69  
D691,181 S \* 10/2013 Asano ..... D15/69  
D700,634 S \* 3/2014 Saitou ..... D15/69  
D730,411 S \* 5/2015 Kudo ..... D15/69

(Continued)

(21) Appl. No.: **29/738,623**  
(22) Filed: **Jun. 18, 2020**  
(30) **Foreign Application Priority Data**

Dec. 19, 2019 (JP) ..... 2019-028244

(51) **LOC (13) Cl.** ..... **15-06**  
(52) **U.S. Cl.**  
USPC ..... **D15/69**

(58) **Field of Classification Search**  
USPC ..... D15/66, 69, 72, 78  
CPC . D04D 7/02; D04D 7/04; D04D 11/00; D04C 7/00; B65H 69/04; D03D 29/00; D03D 49/62; D03D 47/27; D03D 47/302; D04B 3/02; D04B 33/00; D04B 37/00; D04B 31/00; A44C 27/00; A44C 5/0069; G06F 9/453; H04W 4/38; D05B 3/00; D05B 3/02; D05B 3/24; D05B 3/243  
See application file for complete search history.

(56) **References Cited**  
U.S. PATENT DOCUMENTS  
D288,207 S \* 2/1987 Kuroki ..... D15/69  
D440,237 S \* 4/2001 Kuroki ..... D15/69  
D462,368 S \* 9/2002 Kuroki ..... D15/69  
D482,702 S \* 11/2003 Kawaguchi ..... D15/69  
D521,027 S \* 5/2006 Hosoi ..... D15/69  
D521,534 S \* 5/2006 Kawaguchi ..... D15/70

**OTHER PUBLICATIONS**

Baby Lock, Euphoria Cover Stitch Machine, (published Jan. 2022), babylock.com website, URL:<file:///C:/Users/mphilipps/Downloads/LBSP-BLC4\_Euphoria-Spec.pdf> (Year: 2022).\*

*Primary Examiner* — Calvin E Vansant  
*Assistant Examiner* — Mark T. Philipps  
(74) *Attorney, Agent, or Firm* — Muncy, Geissler, Olds & Lowe, PC

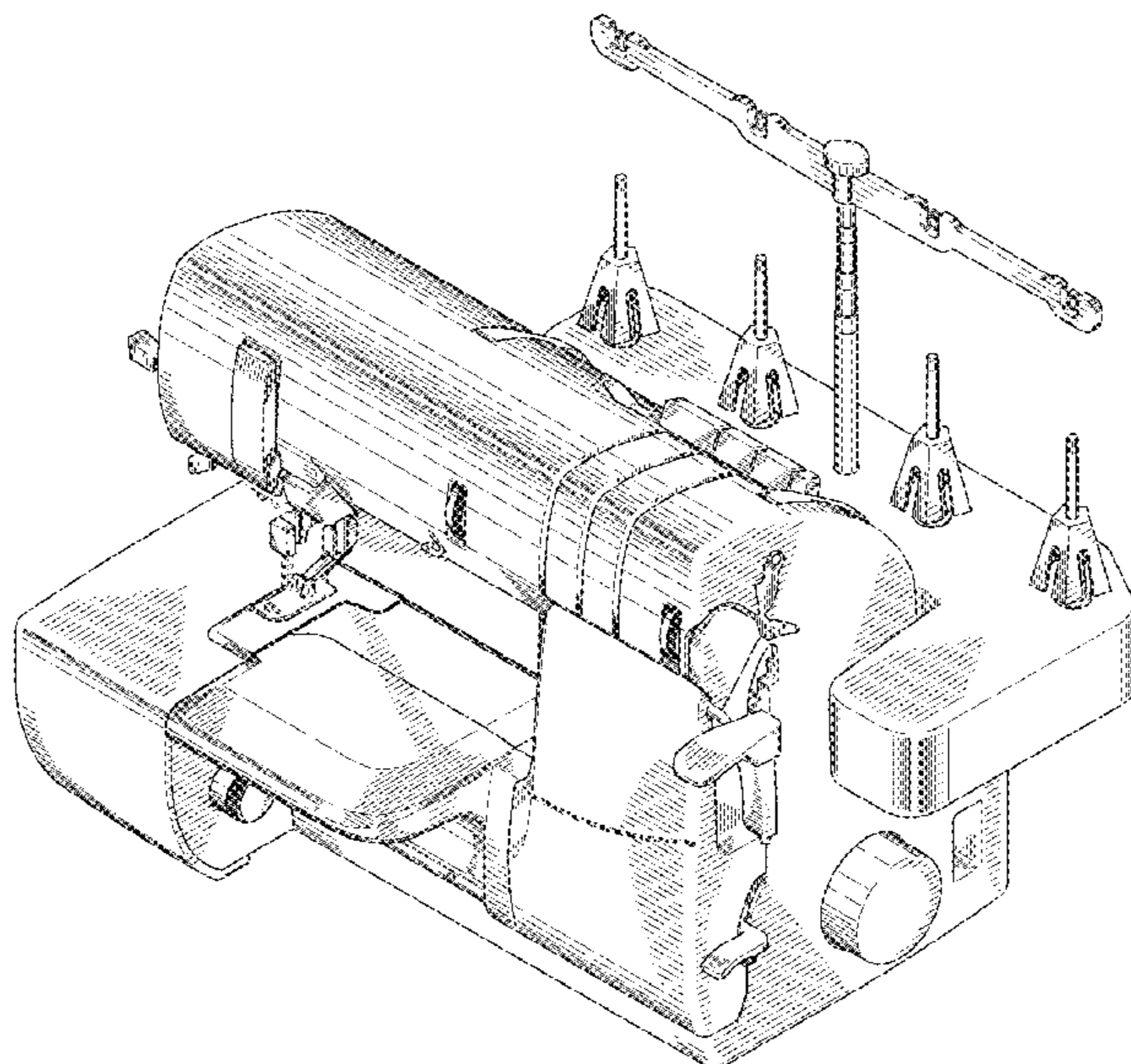
(57) **CLAIM**

The ornamental design for a sewing machine, as shown and described.

**DESCRIPTION**

FIG. 1 is a front elevational view of a sewing machine showing my new design;  
FIG. 2 is a rear elevational view thereof;  
FIG. 3 is a right side elevational view thereof;  
FIG. 4 is a left side elevational view thereof;  
FIG. 5 is a top plan view thereof;  
FIG. 6 is a bottom plan view thereof;  
FIG. 7 is a perspective view thereof; and,  
FIG. 8 is another perspective view thereof.  
The broken lines illustrate portions of the sewing machine which form no part of the claimed design.

**1 Claim, 8 Drawing Sheets**



(56)

**References Cited**

U.S. PATENT DOCUMENTS

D760,817 S \* 7/2016 Nanno ..... D15/69  
D896,855 S \* 9/2020 Kil ..... D15/69

\* cited by examiner

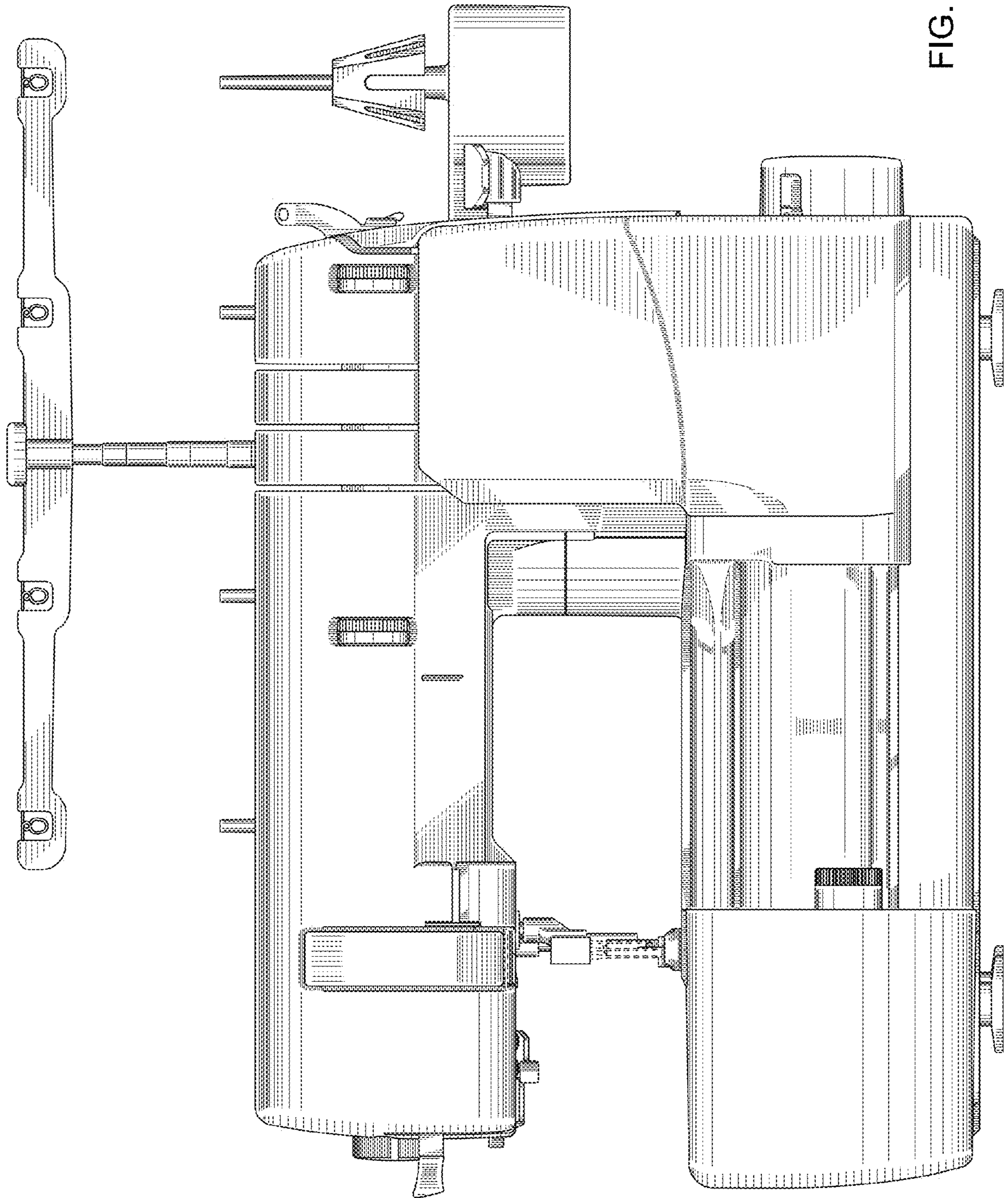


FIG. 1



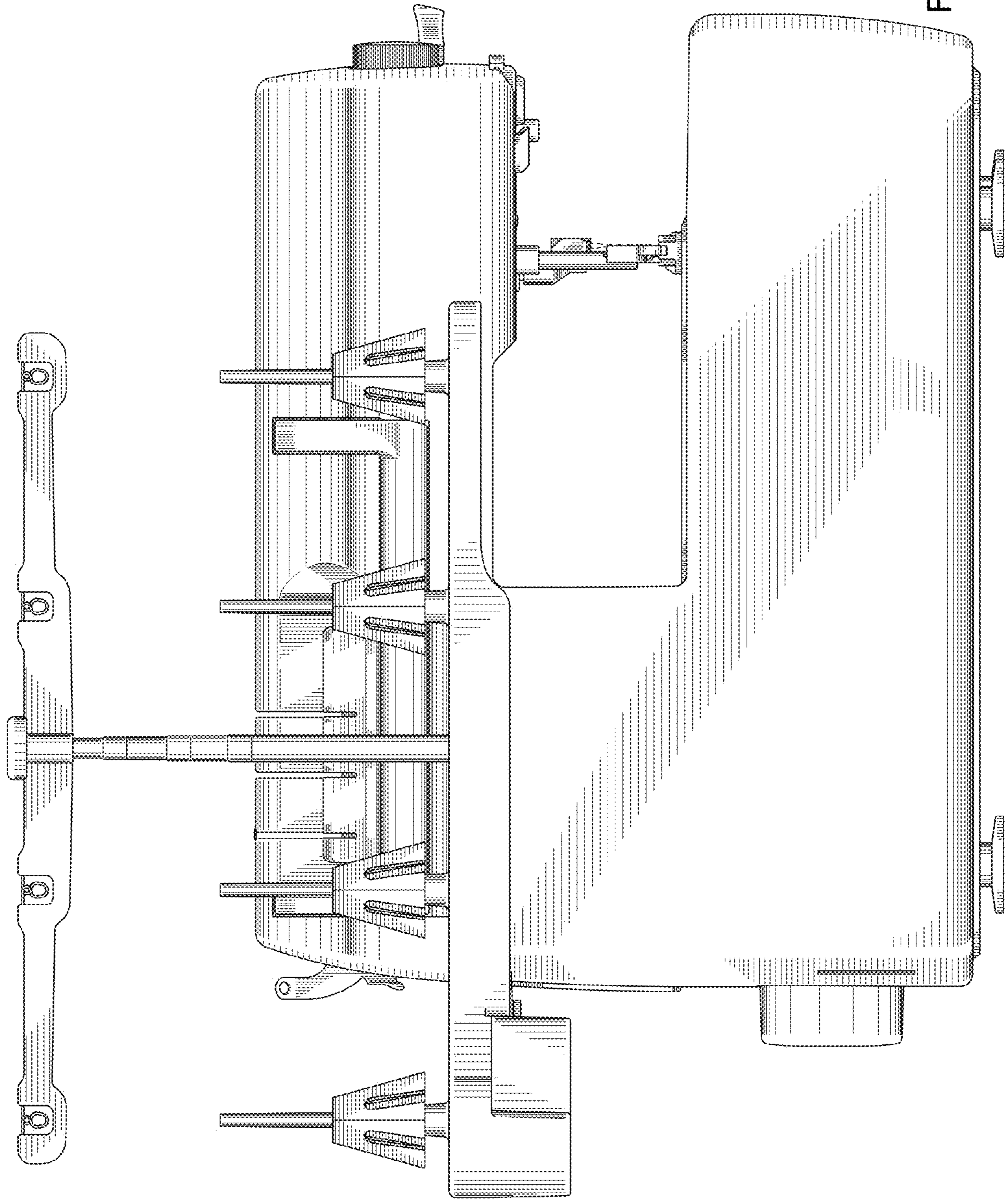


FIG. 2

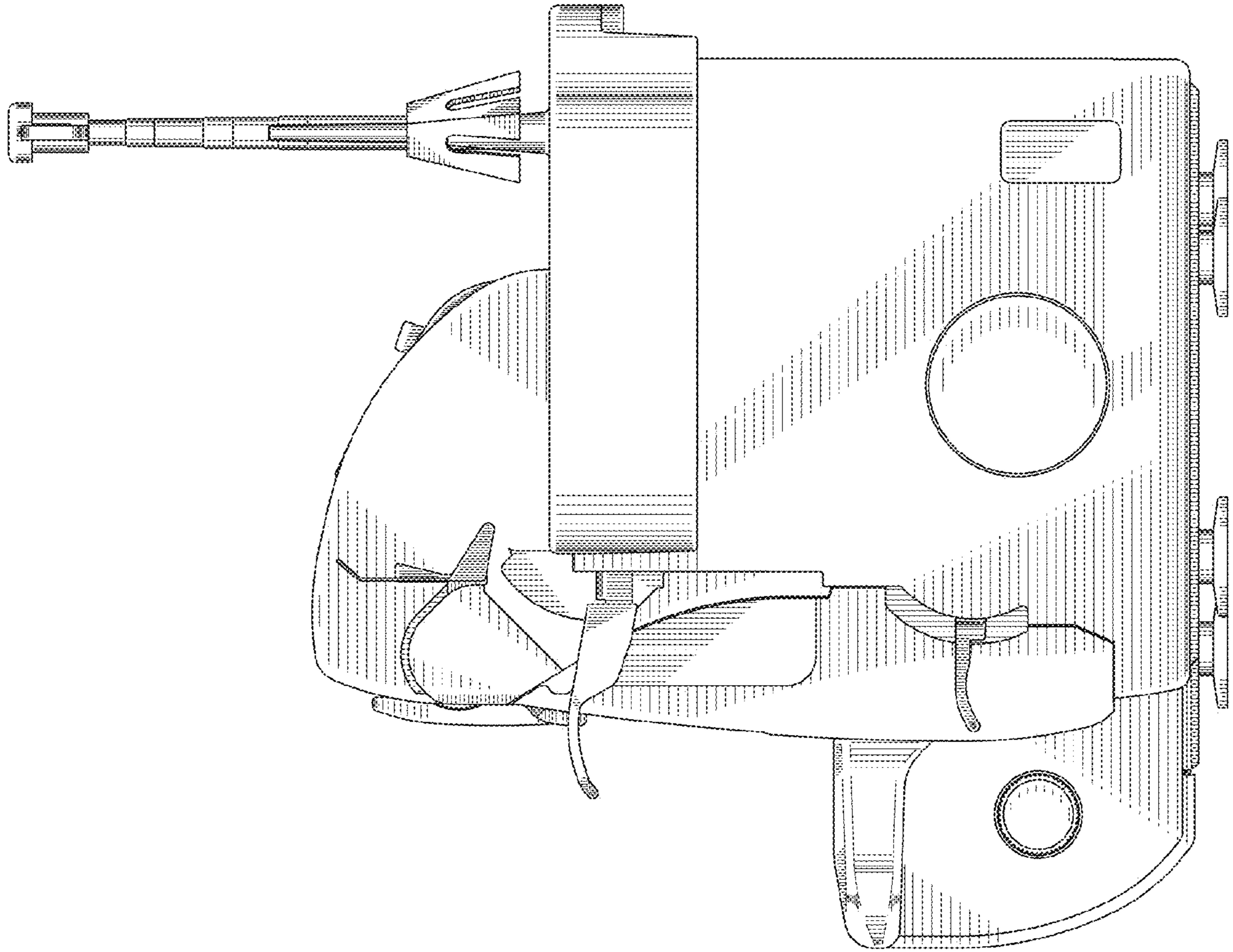


FIG. 3

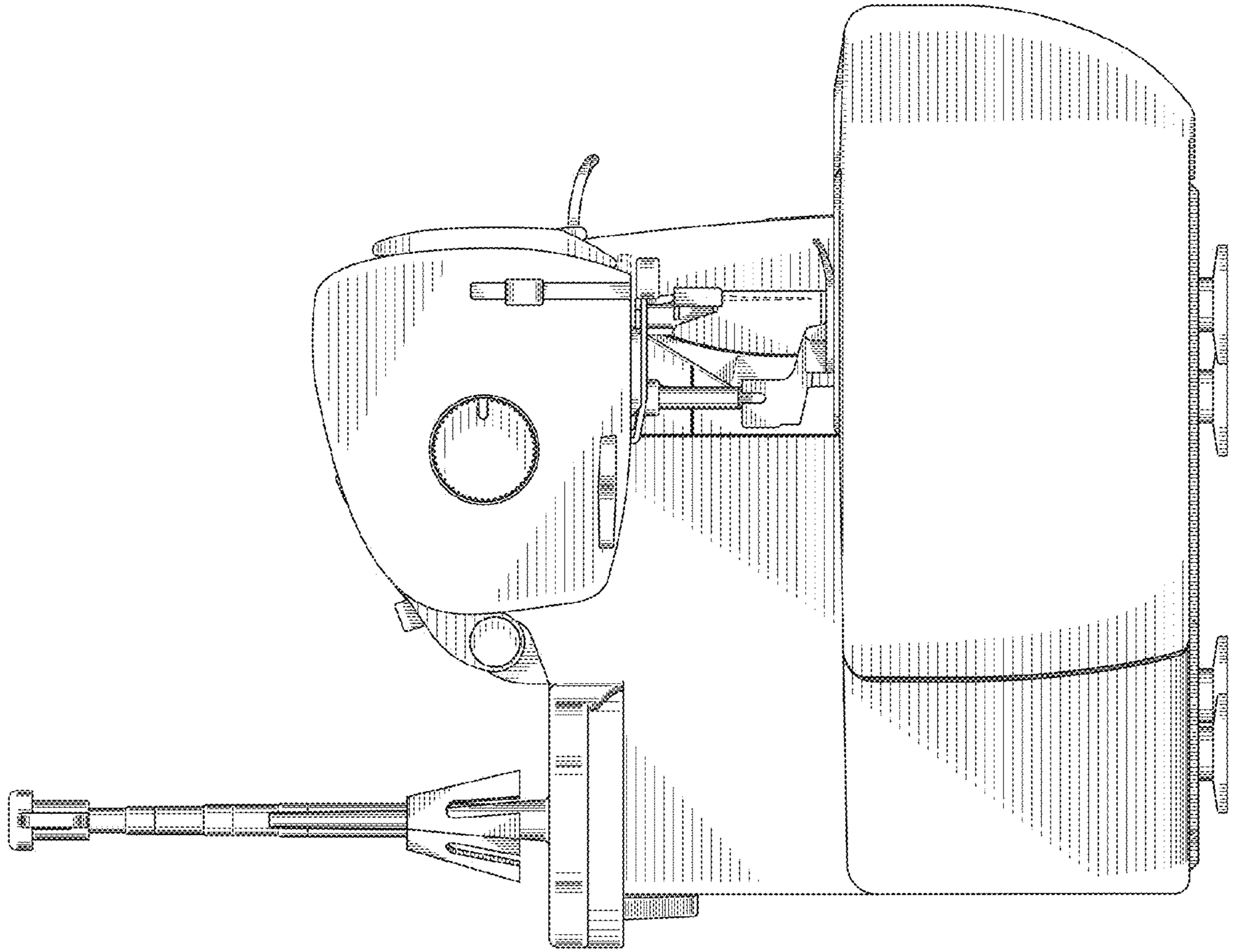


FIG. 4



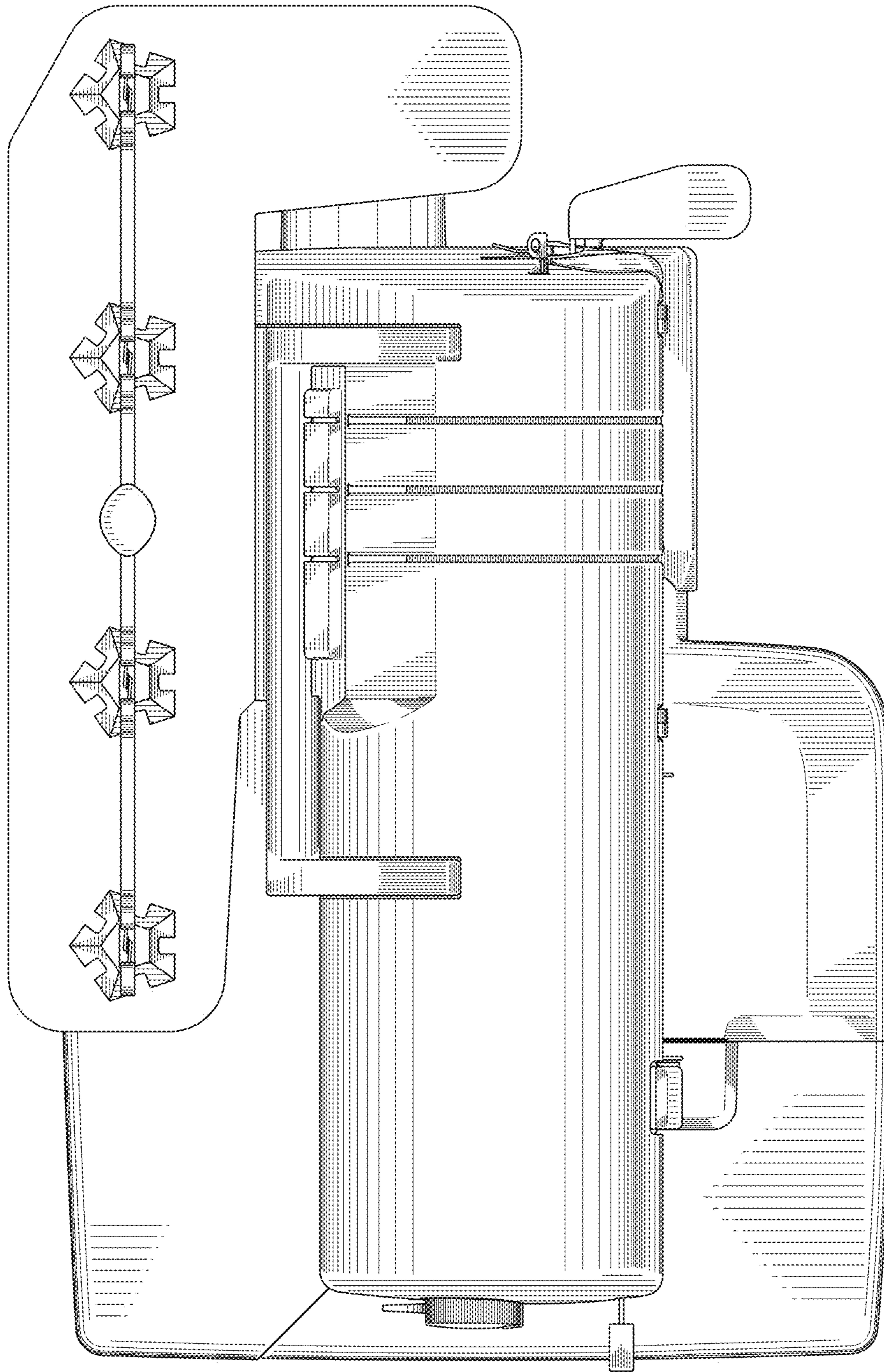


FIG. 5

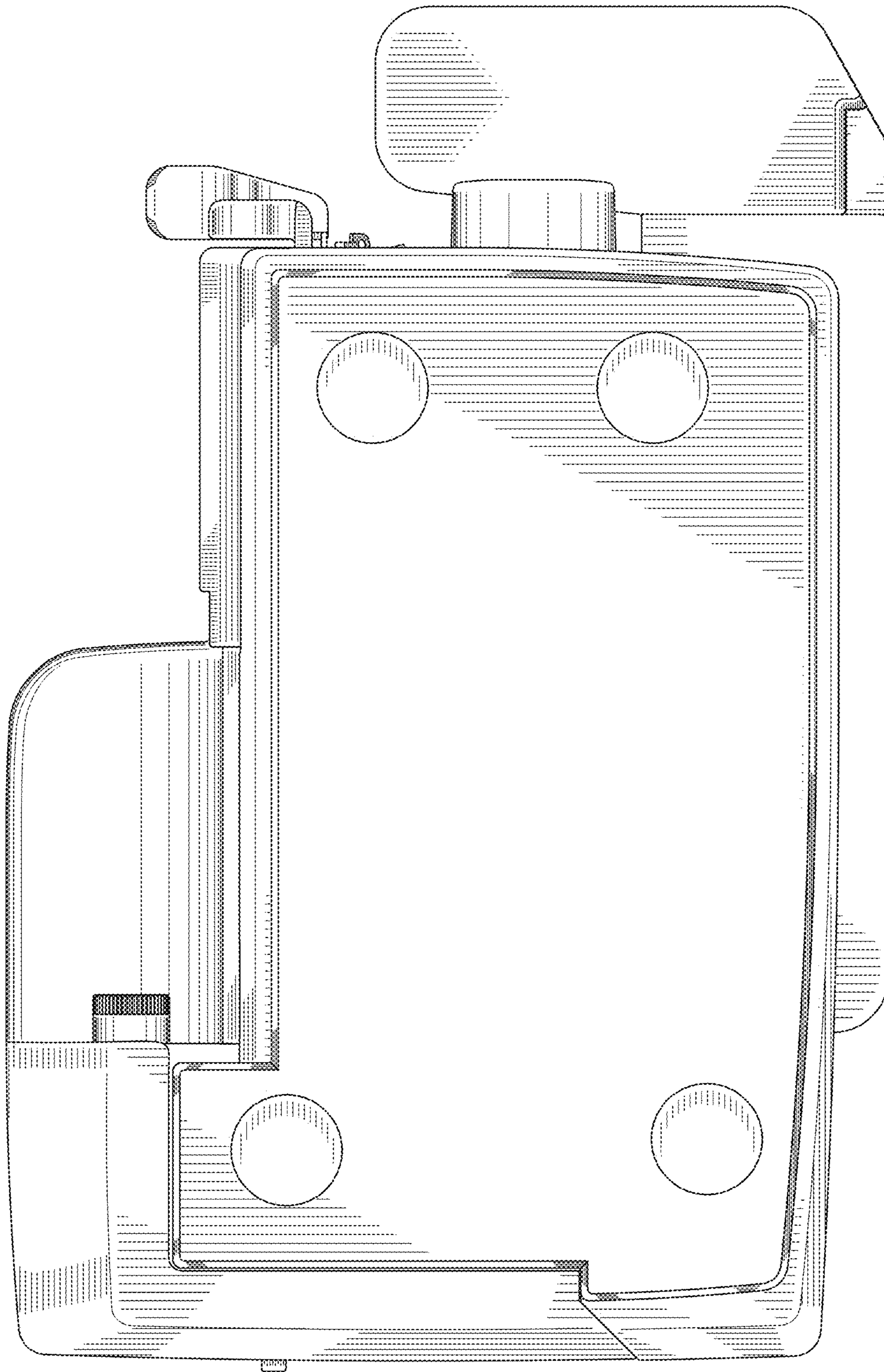


FIG. 6



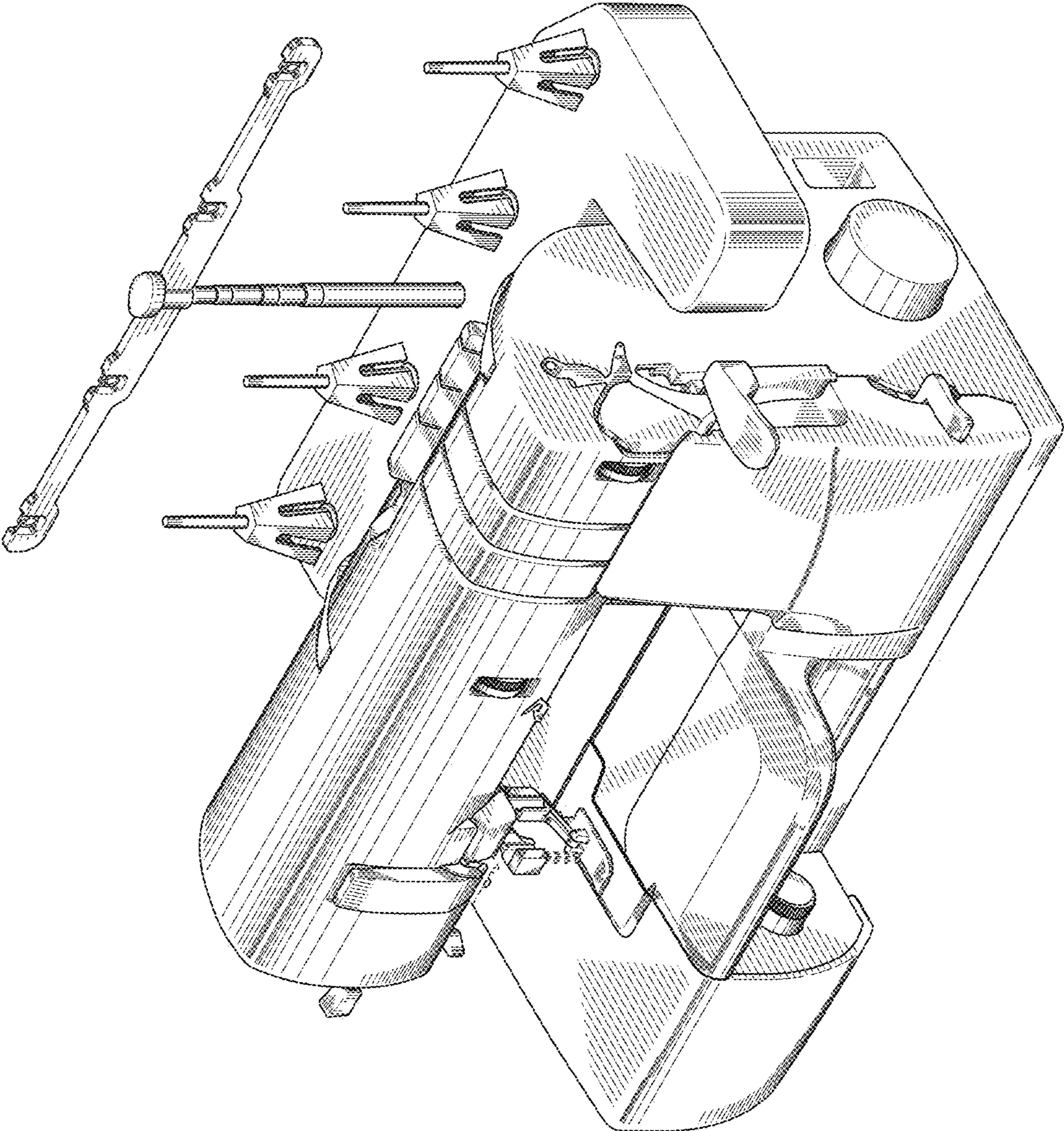


FIG. 7

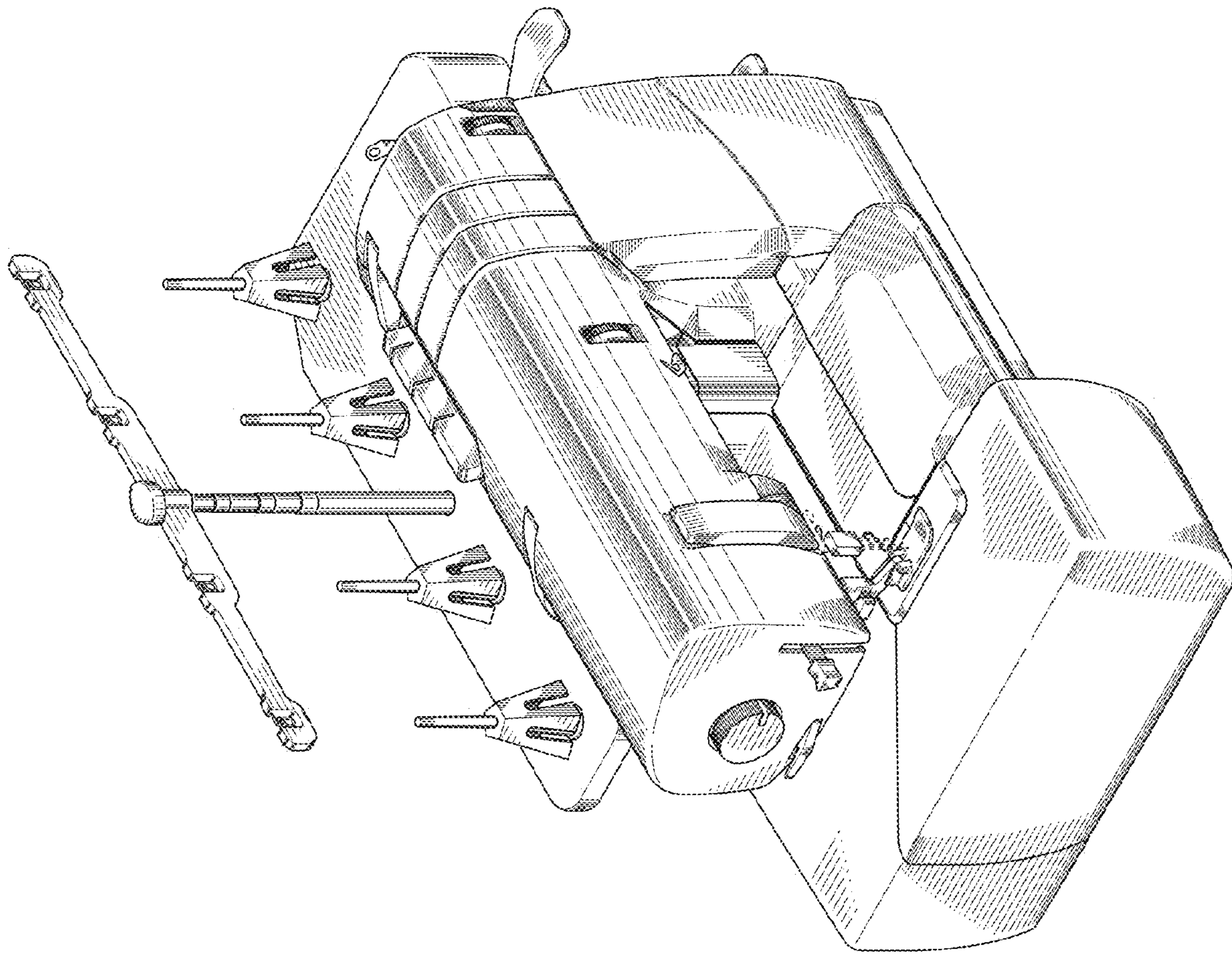


FIG. 8