



US00D955443S

(12) **United States Design Patent** (10) **Patent No.:** **US D955,443 S**  
**Tsukamoto et al.** (45) **Date of Patent:** **\*\* Jun. 21, 2022**

(54) **TRAVELING BODY FOR CONSTRUCTION MACHINE**

(71) Applicant: **KOBELCO CONSTRUCTION MACHINERY CO., LTD.**, Hiroshima (JP)

(72) Inventors: **Hironori Tsukamoto**, Hiroshima (JP); **Tetsumi Fukumoto**, Hiroshima (JP); **Satoshi Goto**, Hiroshima (JP); **Takashi Tazoe**, Hiroshima (JP)

(73) Assignee: **KOBELCO CONSTRUCTION MACHINERY CO., LTD.**, Hiroshima (JP)

(\*\*) Term: **15 Years**

(21) Appl. No.: **29/750,170**

(22) Filed: **Sep. 11, 2020**

(30) **Foreign Application Priority Data**

Mar. 13, 2020 (JP) ..... 2020-005026 D

(51) **LOC (13) Cl.** ..... **12-09**

(52) **U.S. Cl.**  
USPC ..... **D15/25; D15/28**

(58) **Field of Classification Search**  
USPC ..... D15/10, 22-26, 28, 30; 180/89.1, 89.12, 180/89.13, 900, 9.1, 9.2, 9.62; 37/379; 414/694, 699, 722-724, 660, 685, 698, 414/719, 743

CPC ..... E02F 3/32; E02F 3/76; E02F 3/40; E02F 3/325; E02F 3/352; E02F 3/384; E02F 3/425; E02F 3/437; E02F 3/627; E02F 3/964; E02F 9/163; E02F 9/0858; E02F 9/0875; E02F 9/2045; E02F 9/006; E02F 9/0808; E02F 9/0833; E02F 9/2004; E02F 9/207; E02F 9/2091; E02F 9/2246; E02F 9/2292; E02F 9/0086; E02F 9/18; F01N 13/001; F01N 2590/08

See application file for complete search history.

(56) **References Cited**

U.S. PATENT DOCUMENTS

D528,568 S \* 9/2006 Kuwae ..... D15/28  
D576,182 S 9/2008 Murakami et al.

(Continued)

*Primary Examiner* — Mark A Goodwin

(74) *Attorney, Agent, or Firm* — Birch, Stewart, Kolasch & Birch, LLP

(57) **CLAIM**

The ornamental design for a traveling body for construction machine, as shown and described.

**DESCRIPTION**

FIG. 1 is a first perspective view of a traveling body for construction machine showing our new design;

FIG. 2 is a second perspective view thereof;

FIG. 3 is a front view thereof;

FIG. 4 is a rear view thereof;

FIG. 5 is a left side view thereof;

FIG. 6 is a right side view thereof;

FIG. 7 is a top view thereof; and

FIG. 8 is a partially enlarged first perspective view thereof;

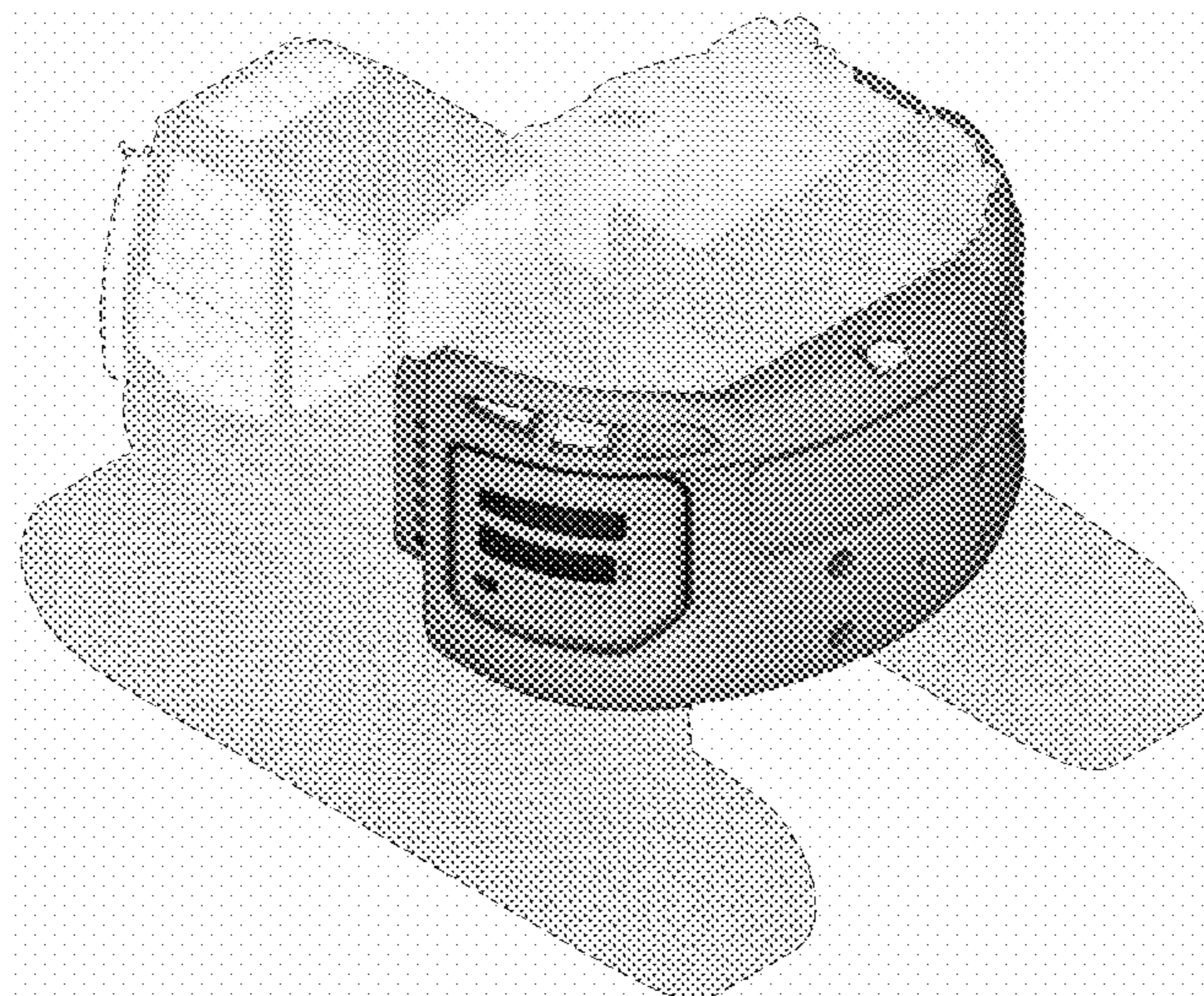
FIG. 9 is a partially enlarged second perspective view thereof;

FIG. 10 is a partially enlarged left side view of the cab portion shown in FIG. 5; and,

FIG. 11 is a partially enlarged right side view of area 11 shown in FIG. 6.

The broken lines shown in FIGS. 1-9 that contain lightly shaded areas represent unclaimed portions of the traveling body for construction machine. The long dash short dash lines in FIG. 11 illustrate the portion 11 in FIG. 6. The broken lines and long dash short dash lines form no part of the claimed design.

**1 Claim, 11 Drawing Sheets**



(56)

**References Cited**

## U.S. PATENT DOCUMENTS

D593,134	S	*	5/2009	Kuwae	.....	D15/17
D596,204	S	*	7/2009	Kuwae	.....	D15/30
D598,032	S	*	8/2009	Nakanishi	.....	D15/30
D677,703	S	*	3/2013	Hiraoka	.....	D15/25
D678,354	S	*	3/2013	Hiraoka	.....	D15/25
D684,598	S	*	6/2013	Hagura	.....	D15/24
D703,699	S	*	4/2014	Shimomura	.....	D15/23
D704,749	S	*	5/2014	Shimomura	.....	D15/28
D704,750	S	*	5/2014	Shimomura	.....	D15/28
D704,751	S	*	5/2014	Furuki	.....	D15/28
D705,276	S	*	5/2014	Furuki	.....	D15/30
D708,232	S	*	7/2014	Furuki	.....	D15/23
D708,233	S	*	7/2014	Furuki	.....	D15/31
D709,528	S	*	7/2014	Shimomura	.....	D15/28
D749,150	S	*	2/2016	Payne	.....	D15/31
D754,214	S	*	4/2016	Payne	.....	D15/31
D774,105	S	*	12/2016	Jilbert	.....	D15/28
D784,426	S	*	4/2017	Okuyama	.....	D15/31
D846,003	S	*	4/2019	Jilbert	.....	D15/31
D846,004	S	*	4/2019	Jilbert	.....	D15/31
D858,585	S	*	9/2019	Jilbert	.....	D15/31
D858,586	S	*	9/2019	Jilbert	.....	D15/31
D875,143	S	*	2/2020	Hagura	.....	D15/24
D927,559	S	*	8/2021	Shinde	.....	D15/24
D928,852	S	*	8/2021	Kaneko	..... A01B 51/026	D15/33

\* cited by examiner





FIG.1



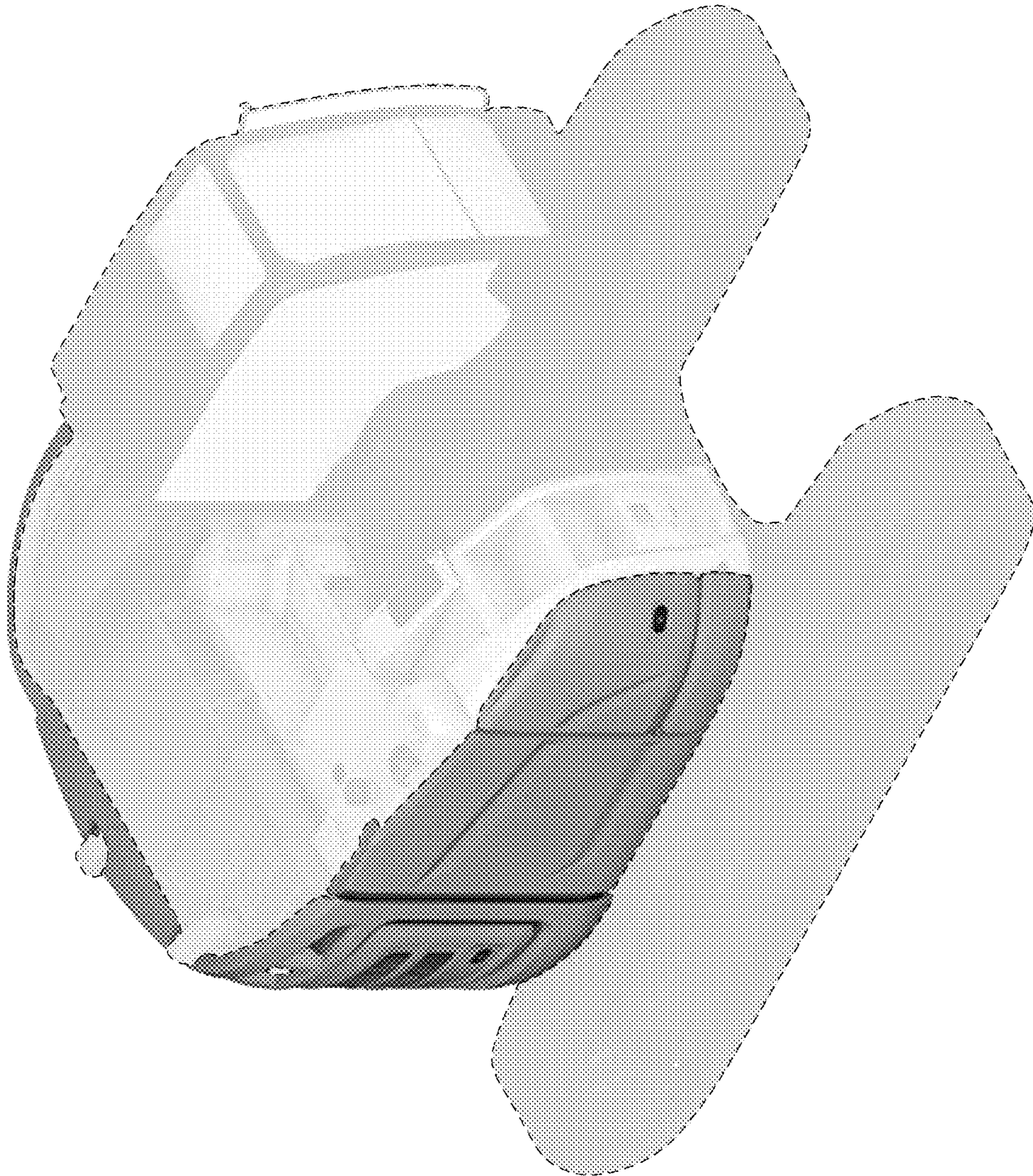


FIG. 2

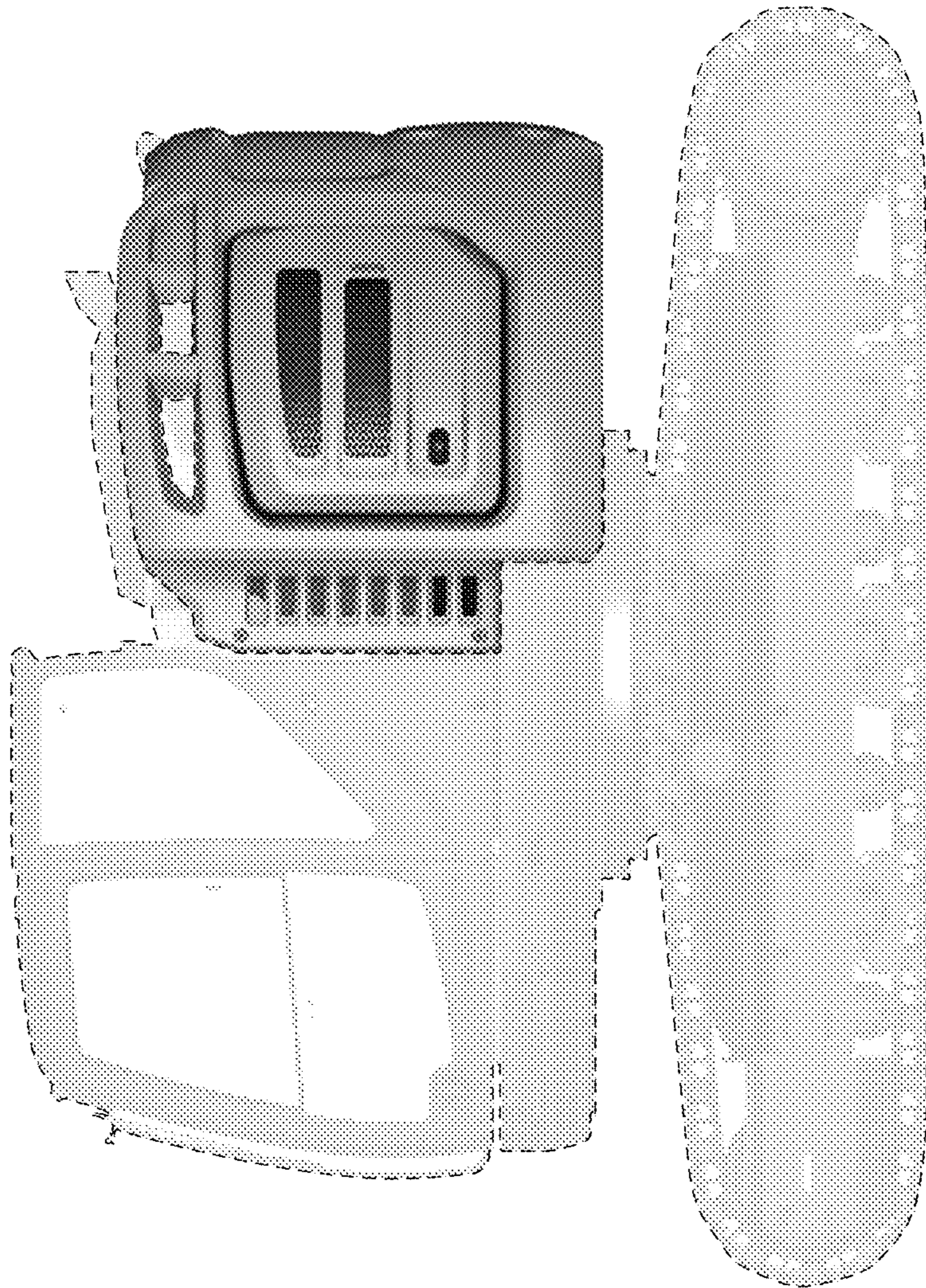


FIG.3



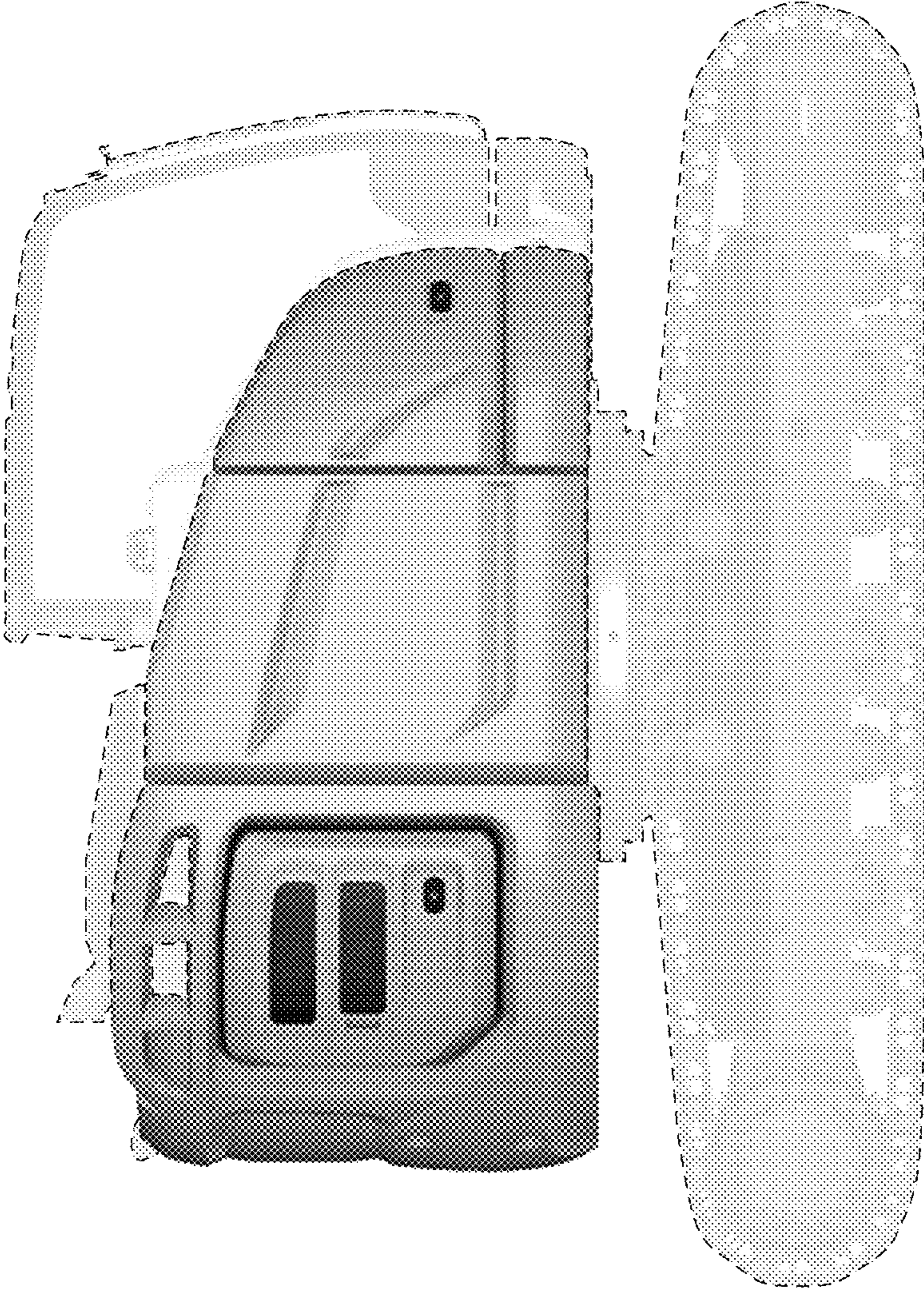


FIG.4

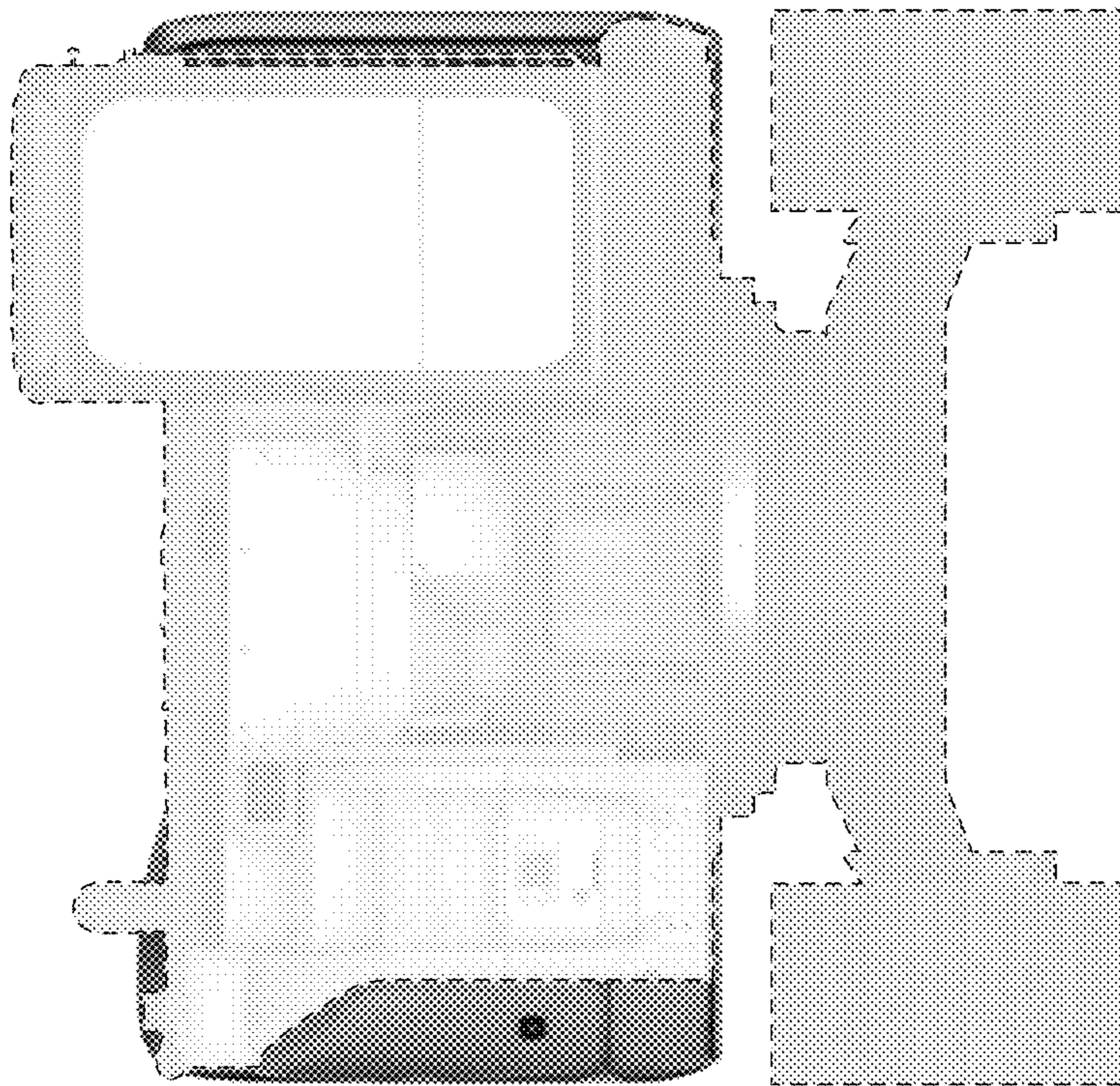


FIG. 5



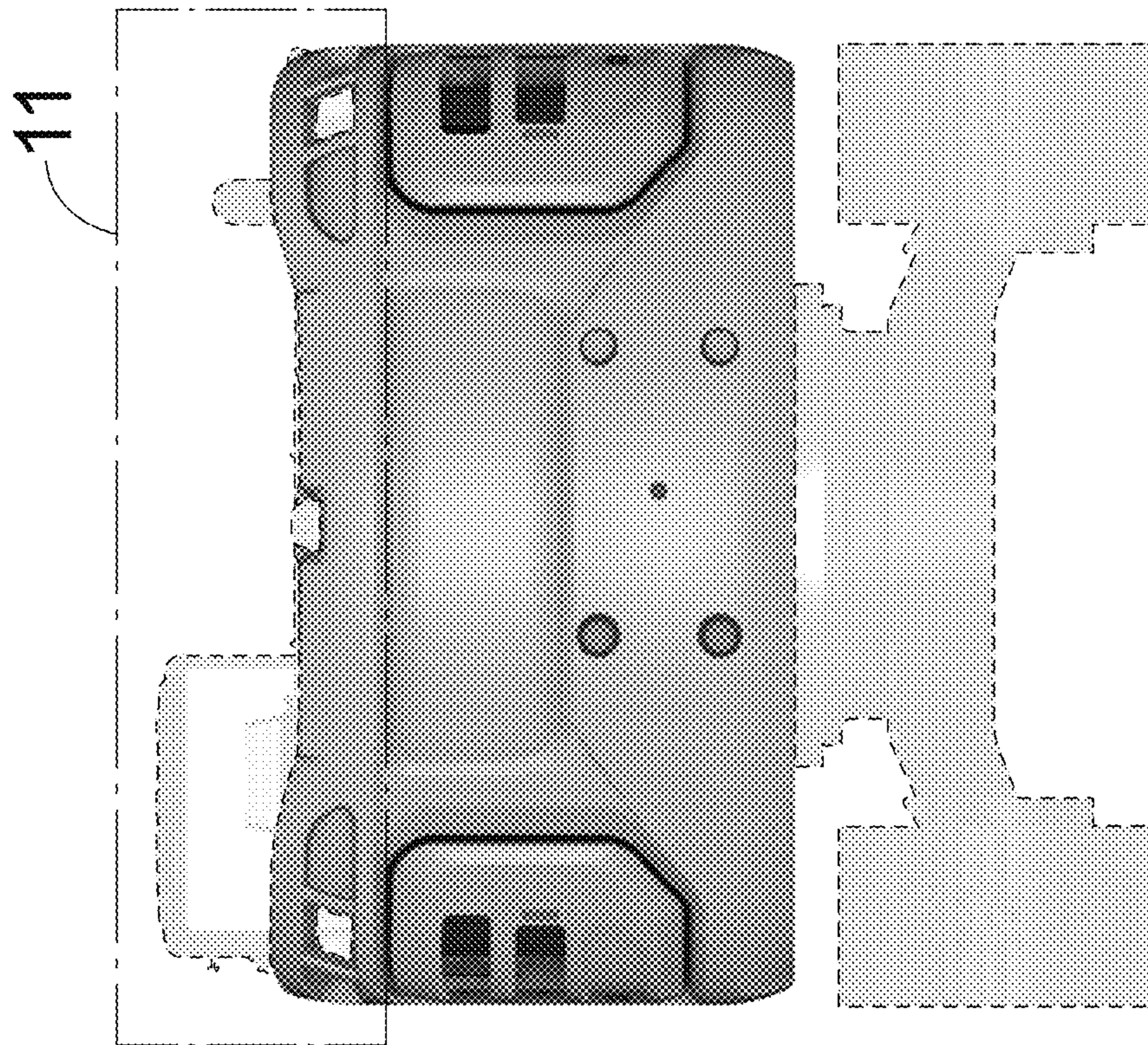


FIG.6



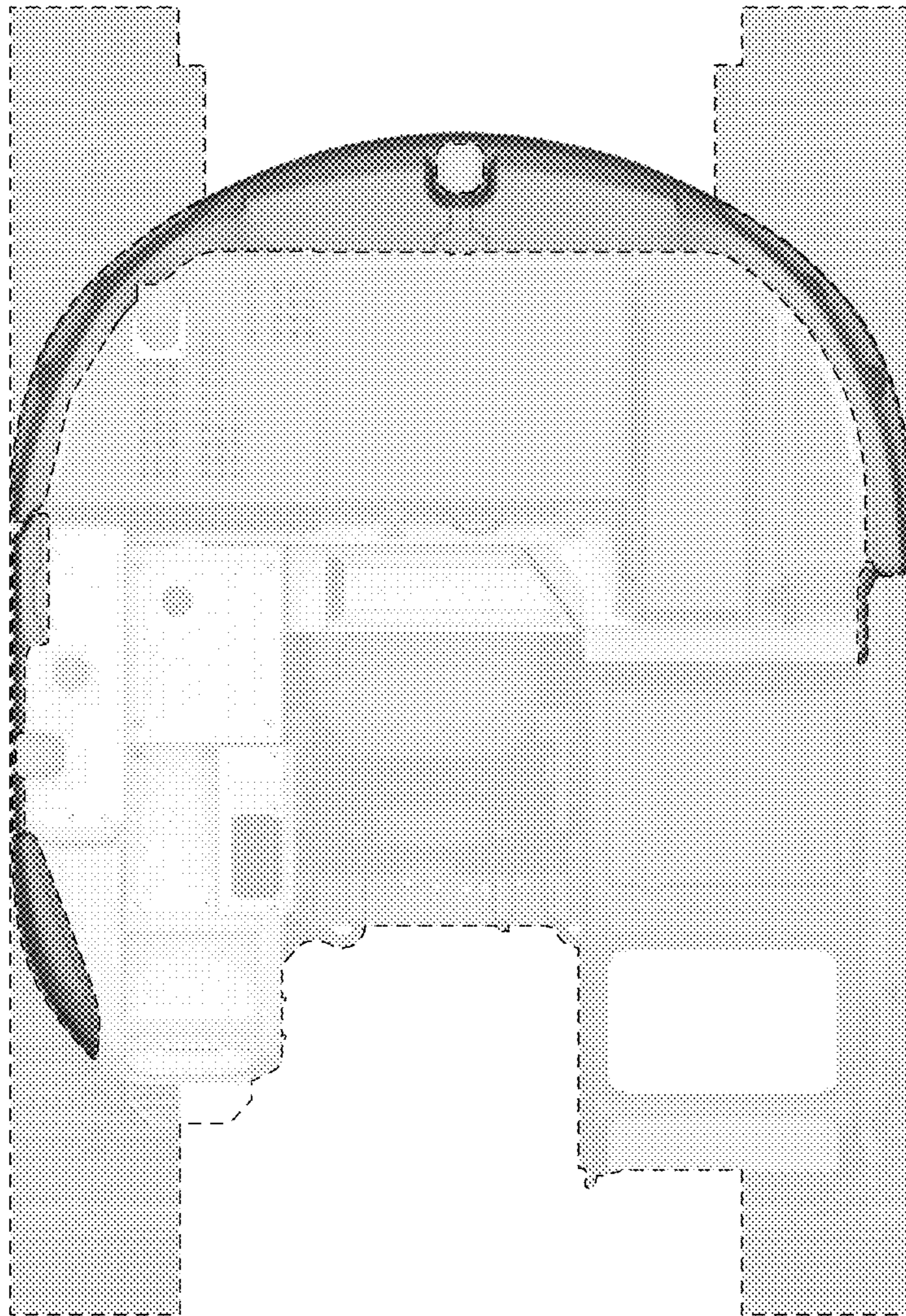


FIG.7





FIG. 8





FIG.9

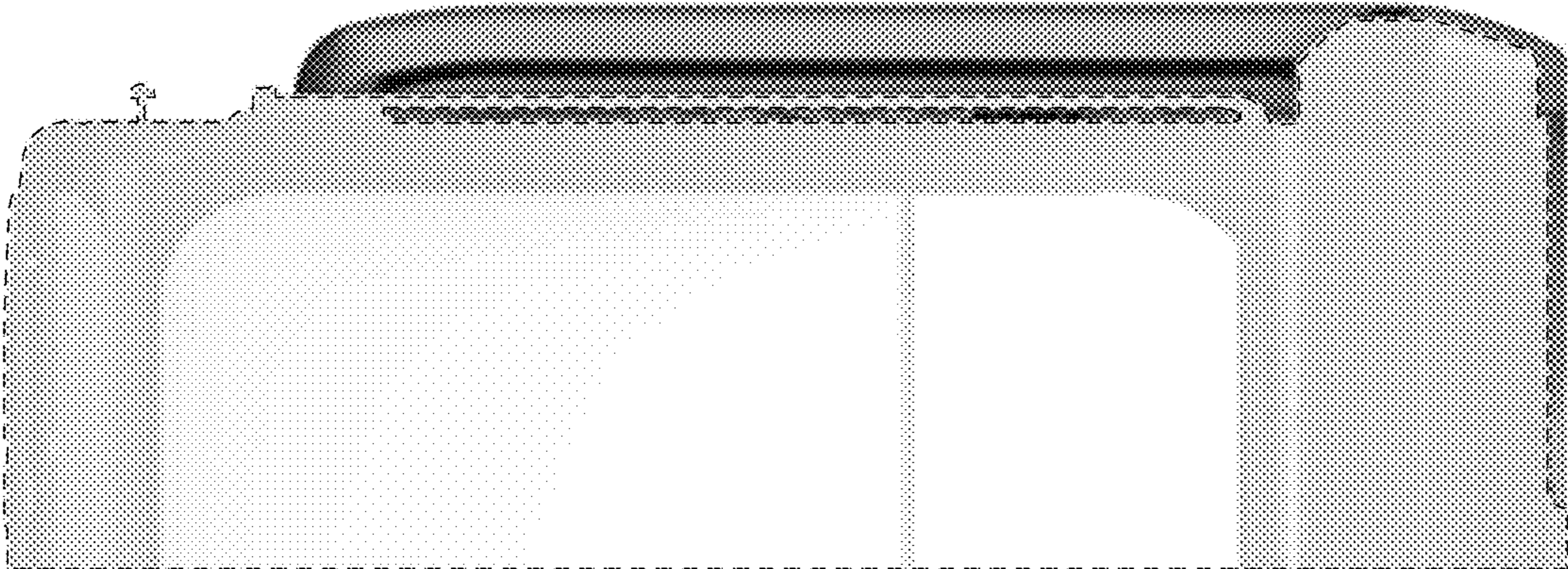


FIG.10



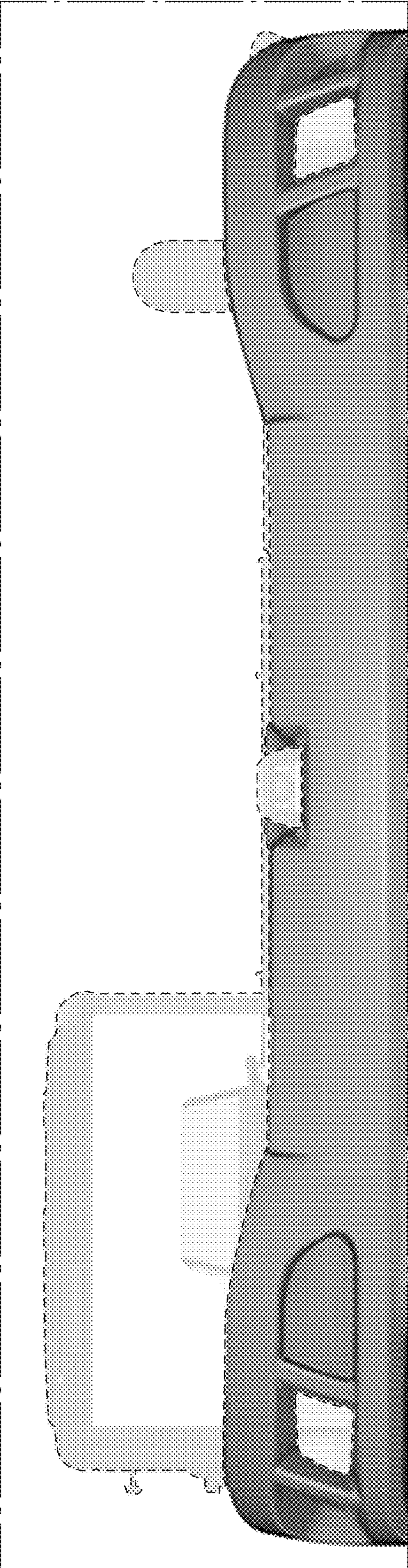


FIG. 11