



US00D955440S

(12) **United States Design Patent**
Sato et al.

(10) **Patent No.:** **US D955,440 S**
(45) **Date of Patent:** **** Jun. 21, 2022**

(54) **OUTBOARD MOTOR**

(71) Applicant: **TOHATSU CORPORATION**, Tokyo (JP)

(72) Inventors: **Makoto Sato**, Tokyo (JP); **Ryo Shiina**, Tokyo (JP)

(73) Assignee: **TOHATSU CORPORATION**, Tokyo (JP)

(**) Term: **15 Years**

(21) Appl. No.: **35/512,054**

(22) Filed: **May 20, 2021**

(80) **Hague Agreement Data**

Int. Filing Date: **May 20, 2021**
Int. Reg. No.: **DM/214721**
Int. Reg. Date: **May 20, 2021**
Int. Reg. Pub. Date: **Jun. 25, 2021**

(30) **Foreign Application Priority Data**

Apr. 27, 2021 (JP) 2021008990 D

(51) **LOC (13) Cl.** **15-01**

(52) **U.S. Cl.**
USPC **D15/4**

(58) **Field of Classification Search**

USPC D15/1, 2, 3, 4, 5
CPC .. B63H 20/32; B63H 2020/323; B63H 23/30;
B63H 23/08; B63H 23/22; B63H 5/14;
B63H 5/15; B63H 21/165; B63H 21/17;
B63H 21/38; B63H 5/125; B63B 35/68
See application file for complete search history.

(56) **References Cited**

U.S. PATENT DOCUMENTS

D272,357 S * 1/1984 Hall D15/4
D323,508 S * 1/1992 Hirshberg D15/4
D332,265 S * 1/1993 Osumi D15/4

D359,290 S * 6/1995 Takeuchi D15/1
D403,684 S * 1/1999 Oishi D15/4
D412,911 S * 8/1999 Iekura D15/4
D418,519 S * 1/2000 Iekura D15/4
D422,599 S * 4/2000 Iekura D15/4
D425,522 S * 5/2000 Okamoto D15/4
D428,616 S * 7/2000 Iekura D15/4
D443,879 S * 6/2001 Fujieda D15/4
D466,907 S * 12/2002 Ohsumi D15/4
D531,639 S * 11/2006 Okamoto D15/4
D531,640 S * 11/2006 Okamoto D15/4
D549,240 S * 8/2007 Okamoto D15/4
D611,062 S * 3/2010 Okamoto D15/4
D611,063 S * 3/2010 Okamoto D15/4
D623,661 S * 9/2010 Yamagishi D15/4
D635,586 S * 4/2011 Okamoto D15/4
7,938,704 B2 * 5/2011 Nomura B63H 20/02
123/195 P

(Continued)

OTHER PUBLICATIONS

“Outboards” [online]. tohatsu.com. [Retrieved on Mar. 26, 2022]. Retrieved from the Internet: <<https://www.tohatsu.com/marine/na/outboards/all.html>>.*

Primary Examiner — Mojtaba Tehrani

(74) *Attorney, Agent, or Firm* — Pearne & Gordon LLP

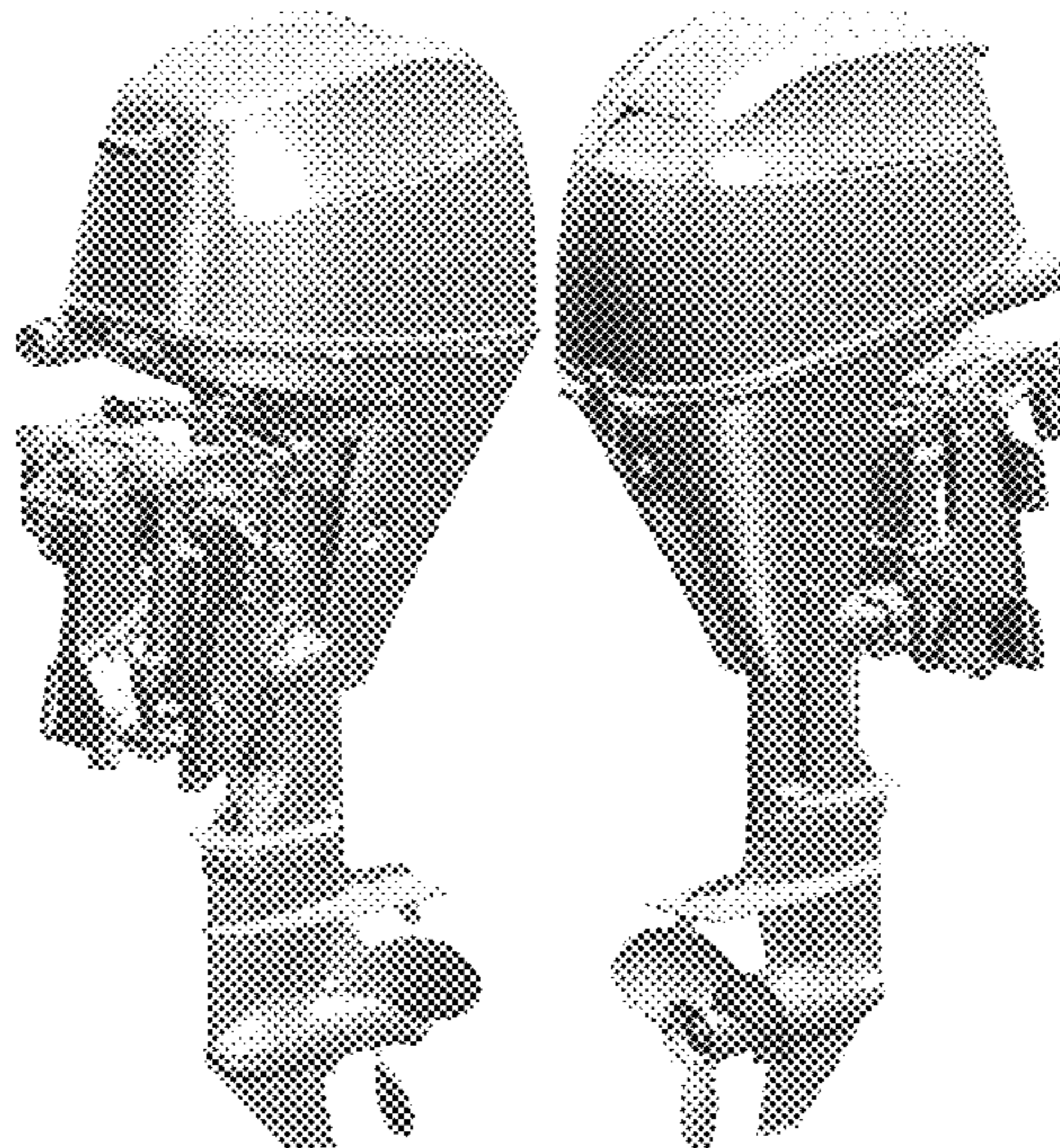
(57) **CLAIM**

The ornamental design for an outboard motor, as shown and described.

DESCRIPTION

- 1. Outboard motor
- 1.1 : Front
- 1.2 : Back
- 1.3 : Right
- 1.4 : Left
- 1.5 : Top
- 1.6 : Bottom
- 1.7 : Perspective
- 1.8 : Perspective

1 Claim, 8 Drawing Sheets



(56)

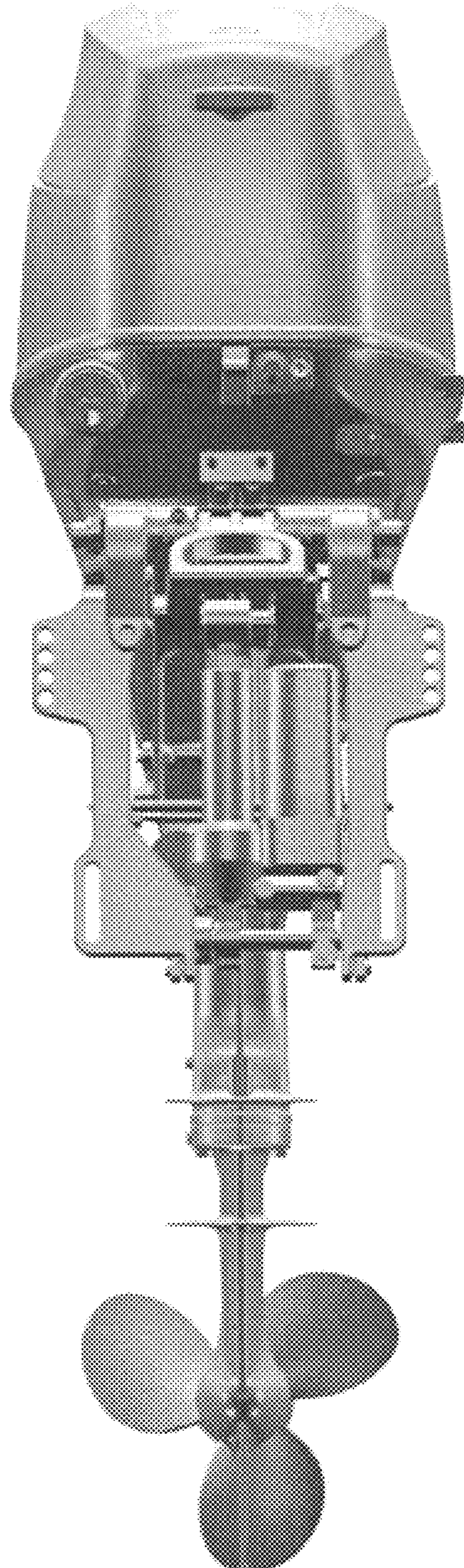
References Cited

U.S. PATENT DOCUMENTS

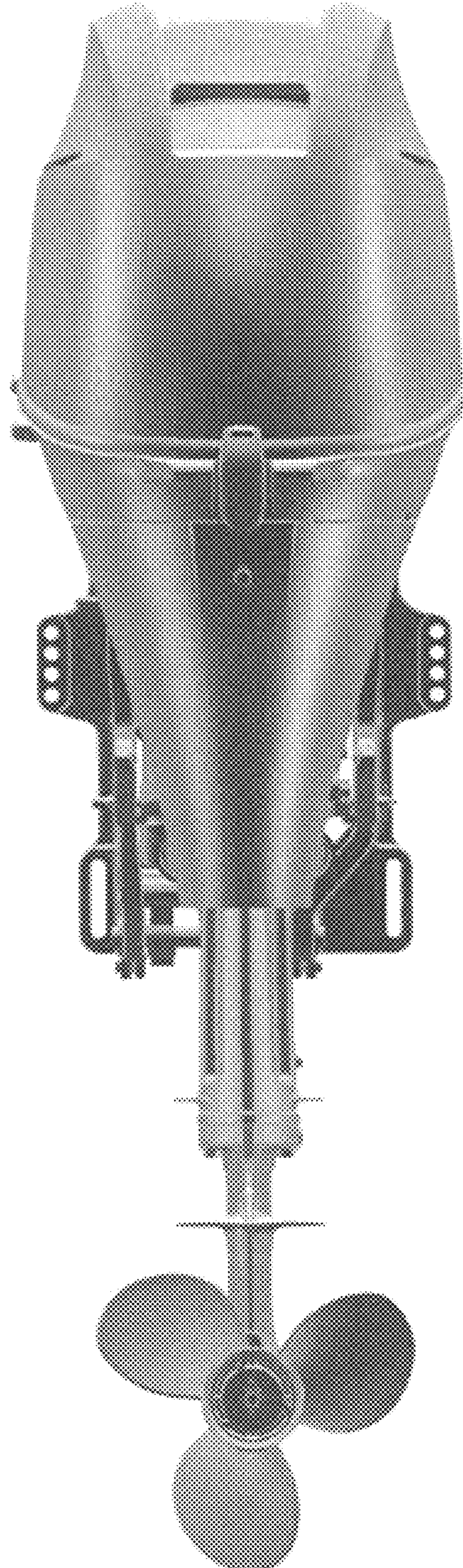
D643,440 S *	8/2011	Dannenberg	D15/4
D663,321 S *	7/2012	Okamoto	D15/3
D692,922 S *	11/2013	Okamoto	D15/4
D712,931 S *	9/2014	Matsumoto	D15/4
D727,969 S *	4/2015	Okamoto	D15/4
D835,675 S *	12/2018	Nakaura	D15/4
D847,207 S *	4/2019	Uchiyama	B63H 23/30 D15/4
D921,042 S *	6/2021	Shiina	B63H 23/30 D15/4
D922,437 S *	6/2021	Sato	B63H 20/32 D15/4

* cited by examiner

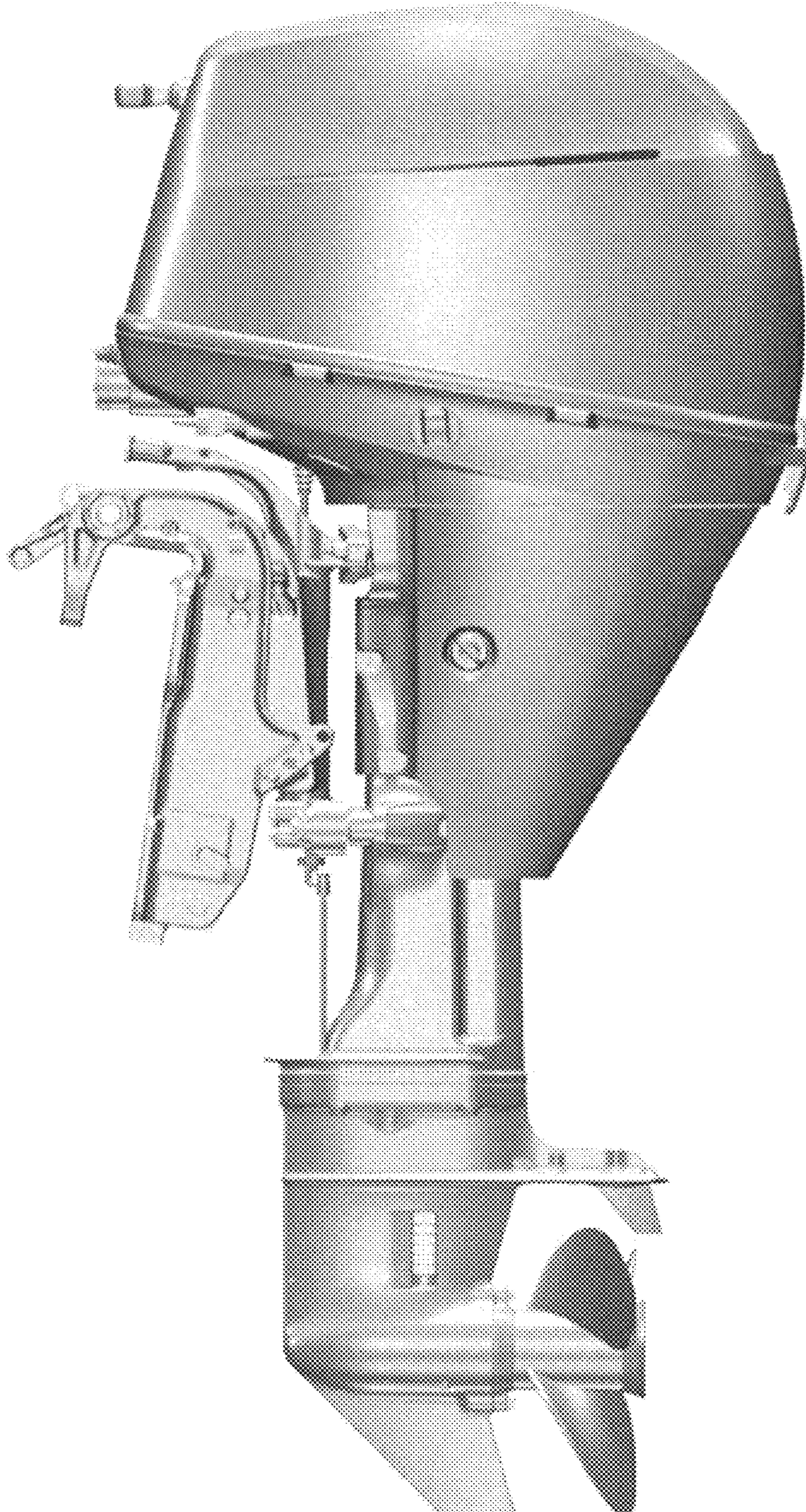
1.1



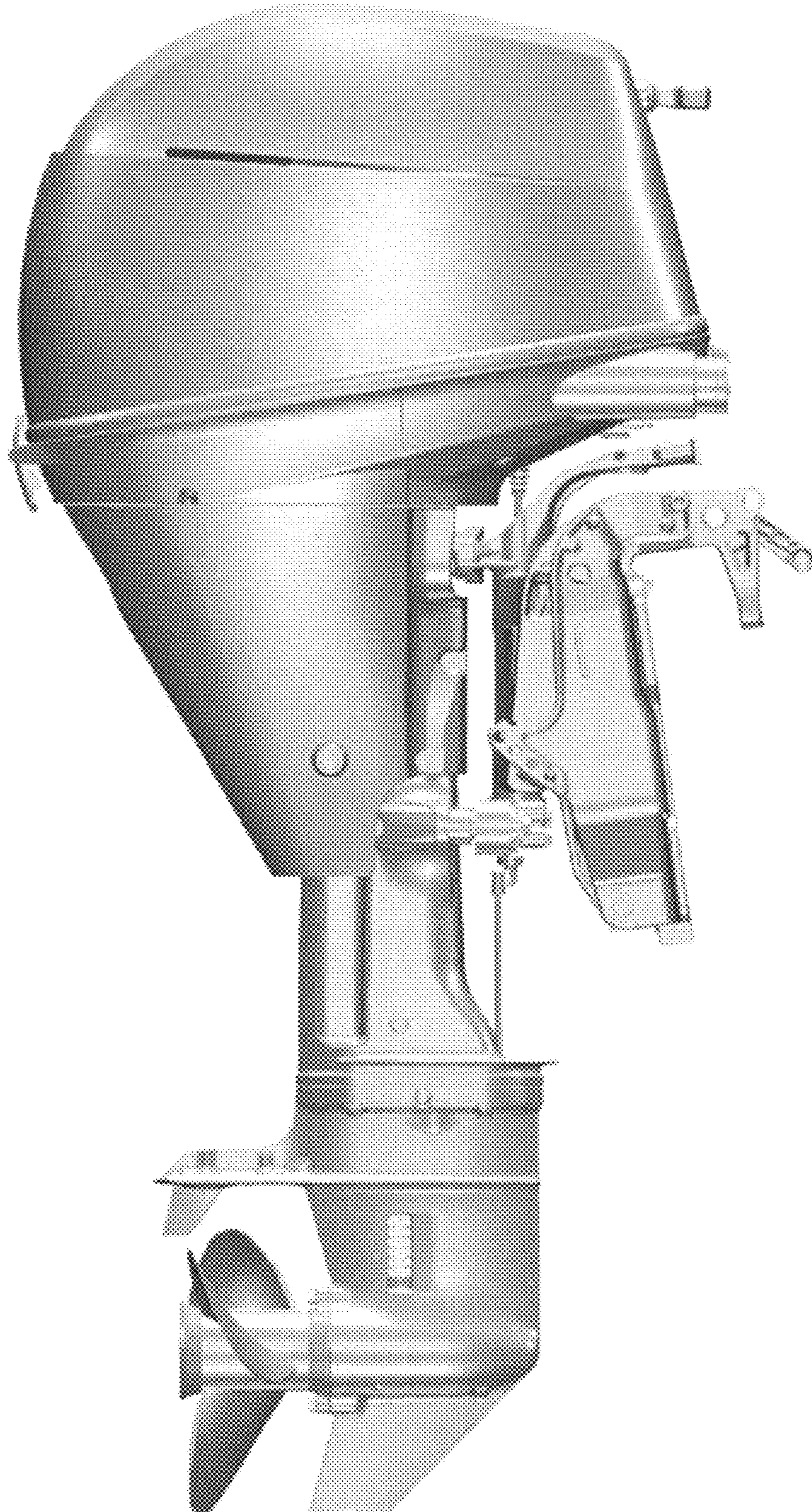
1.2



1.3



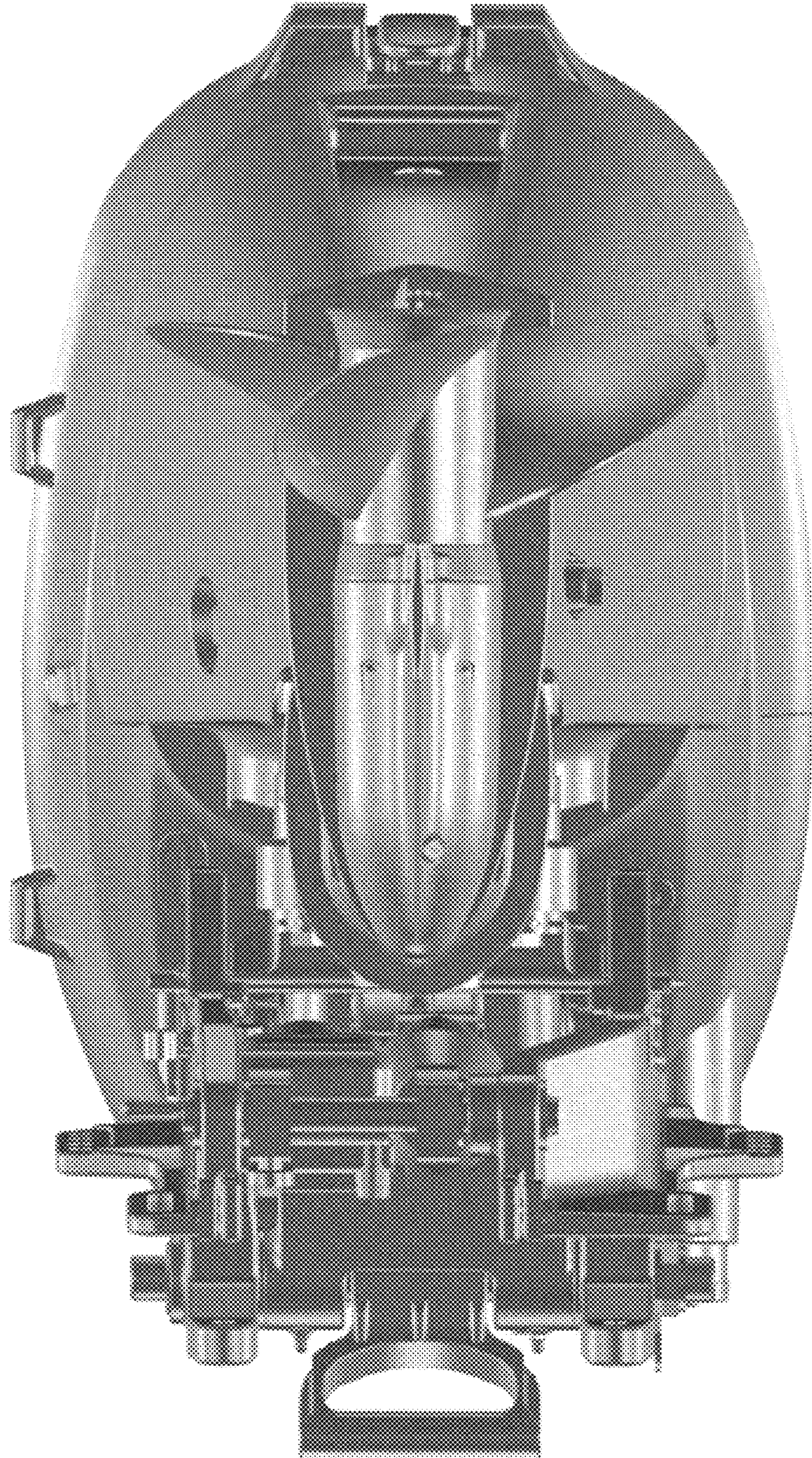
1.4



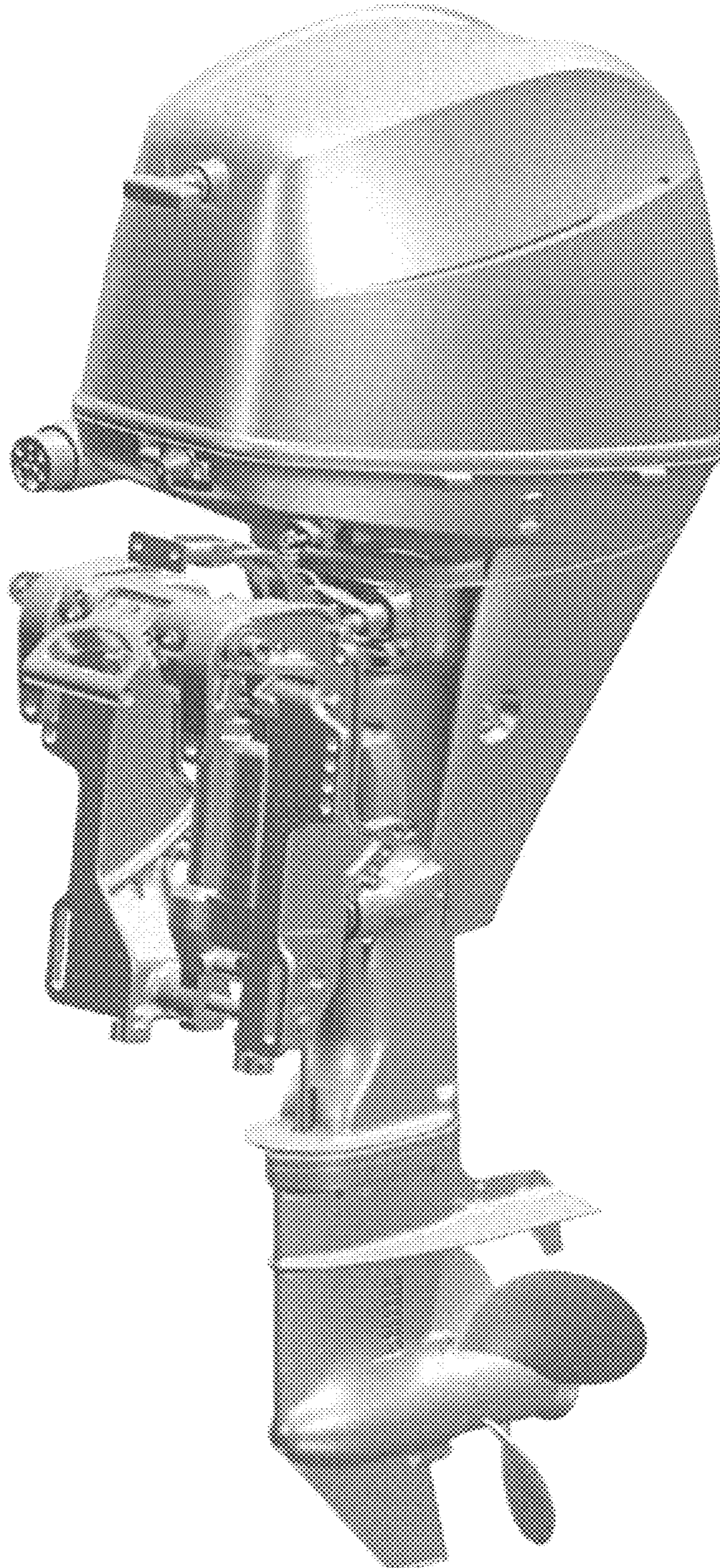
1.5



1.6



1.7



1.8

