



US00D955419S

(12) **United States Design Patent** (10) **Patent No.:** **US D955,419 S**
Drapeau et al. (45) **Date of Patent:** **** Jun. 21, 2022**

(54) **DISPLAY SCREEN OR PORTION THEREOF WITH GRAPHICAL USER INTERFACE**

D830,399 S 10/2018 Kisielius
D837,247 S 1/2019 Lim
D839,884 S 2/2019 Mussinov
D849,777 S * 5/2019 Von Reden D14/486

(71) Applicant: **EXFO Inc.**, Quebec (CA)

(Continued)

(72) Inventors: **Alexandre Drapeau**,
L'Ancienne-Lorette (CA); **Michel
Leclerc**, Quebec (CA)

FOREIGN PATENT DOCUMENTS

KR 30-0932349 11/2017

(73) Assignee: **EXFO INC.**, Quebec (CA)

OTHER PUBLICATIONS

(**) Term: **15 Years**

Software for smartphones for travel booking [online], Apple, 2016 [retrieved on May 17, 2016]. Retrieved from the Internet: <URL: <https://itunes.apple.com/jp/app/vntrip-at-phong-khach-san/id1046183734?mt=8>>.

(21) Appl. No.: **29/756,552**

(Continued)

(22) Filed: **Oct. 29, 2020**

(51) **LOC (13) Cl.** **14-04**

(52) **U.S. Cl.**
USPC **D14/486**

(58) **Field of Classification Search**
USPC D14/485-488, 489-495
CPC G06F 3/048; G06F 3/0481; G06F 3/04817;
G06F 3/0482; G06F 3/0483; G06F
3/04842; G06F 3/0485; G06F 3/04855;
G06F 3/0486; G06F 3/0488; G06F
3/04886; G06F 9/451; G06F 40/103;
G06F 40/106; G06F 40/189; G06F
40/191

See application file for complete search history.

Primary Examiner — Sheryl Lane
Assistant Examiner — Nicole C Shiflet

(57) **CLAIM**

The ornamental design for a display screen or portion thereof with graphical user interface, as shown and described.

DESCRIPTION

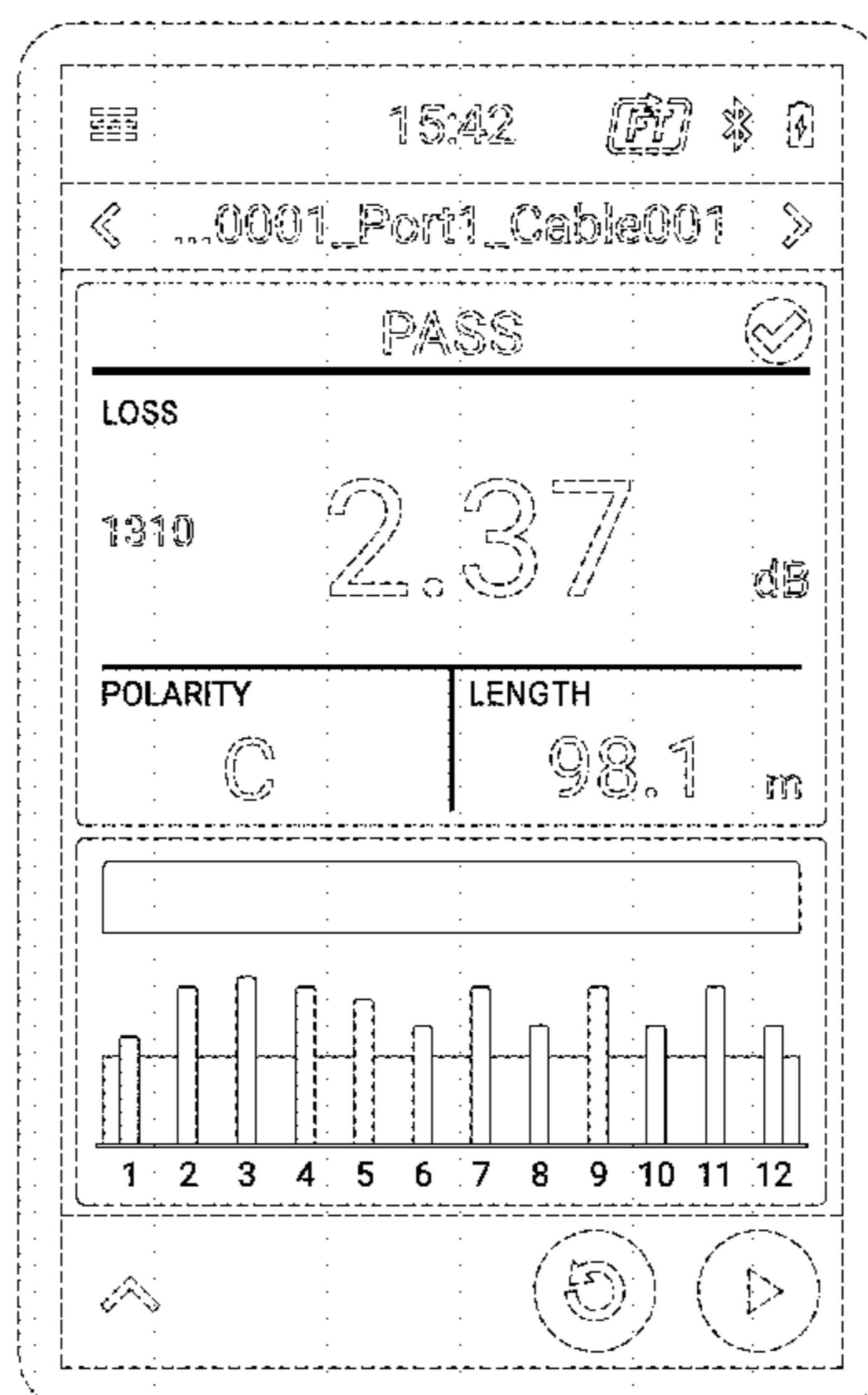
FIG. 1 is a front view of a display screen or portion thereof with graphical user interface, showing the new design; FIG. 2 is a front view of a second embodiment thereof; FIG. 3 is a front view of a third embodiment thereof; FIG. 4 is a front view of a fourth embodiment thereof; FIG. 5 is a front view of a fifth embodiment thereof; FIG. 6 is a front view of a sixth embodiment thereof; FIG. 7 is a front view of a seventh embodiment thereof; and, FIG. 8 is a front view of an eight embodiment thereof. The portions shown in broken lines depicting the display screen, text, and other graphical elements are included to show environmental unclaimed subject matter and do not form part of the claimed design.

(56) **References Cited**

U.S. PATENT DOCUMENTS

D727,942 S * 4/2015 Angelides D14/486
D755,827 S 5/2016 Anzures
D761,294 S * 7/2016 Weeresinghe D14/486
D772,261 S * 11/2016 Kothe D14/486
D791,813 S 7/2017 Kisielius
D809,550 S * 2/2018 Bray D14/486
D811,429 S 2/2018 Kim
D821,424 S * 6/2018 Von Reden D14/486
D821,425 S * 6/2018 Von Reden D14/486
D823,871 S 7/2018 Verdu Orts

1 Claim, 8 Drawing Sheets



(56)

References Cited

U.S. PATENT DOCUMENTS

D864,222	S	*	10/2019	Paulina	D14/485
D870,131	S	*	12/2019	Von Reden	D14/486
D871,433	S	*	12/2019	Rondoni	D14/486
D878,401	S	*	3/2020	Georgallis	D14/485
D882,620	S	*	4/2020	Sabadosh	D14/486
D882,623	S		4/2020	van Zyl		
D895,648	S	*	9/2020	Dye	D14/485
D899,454	S	*	10/2020	Rondoni	D14/486
D903,708	S	*	12/2020	Poueriet	D14/488
D912,690	S	*	3/2021	Navasca	D14/486
D916,758	S	*	4/2021	Dye	D14/485
D916,827	S	*	4/2021	Daie	D14/486
D923,640	S	*	6/2021	Tsai	D14/485
D929,432	S	*	8/2021	Pulivarthi	D14/486
D930,033	S	*	9/2021	Bowland	D14/488
D934,899	S	*	11/2021	Bennett	D14/486
D937,864	S	*	12/2021	Varga	D14/486
D937,867	S	*	12/2021	Becker	D14/486
D938,469	S	*	12/2021	Varga	D14/486
2012/0071137	A1	*	3/2012	Bisrat	H04M 1/72433 455/413

OTHER PUBLICATIONS

Car navigation system [online]. Iriver Japan, 2007 [retrieved on Aug. 31, 2007]. Retrieved from the Internet: <URL: <http://www.iriver.co.jp/estore/pn100>>.

Remote controller. Catalogue for housing equipment, p. 14 [available on Oct. 28, 2005].

EXFO Specification Sheet "Intelligent Optical Link Mapper (iOLM)", 2012, 4 pages.

EXFO, Optical Xplorer, Spec Sheet, Sep. 2019, 3 pages.

* cited by examiner

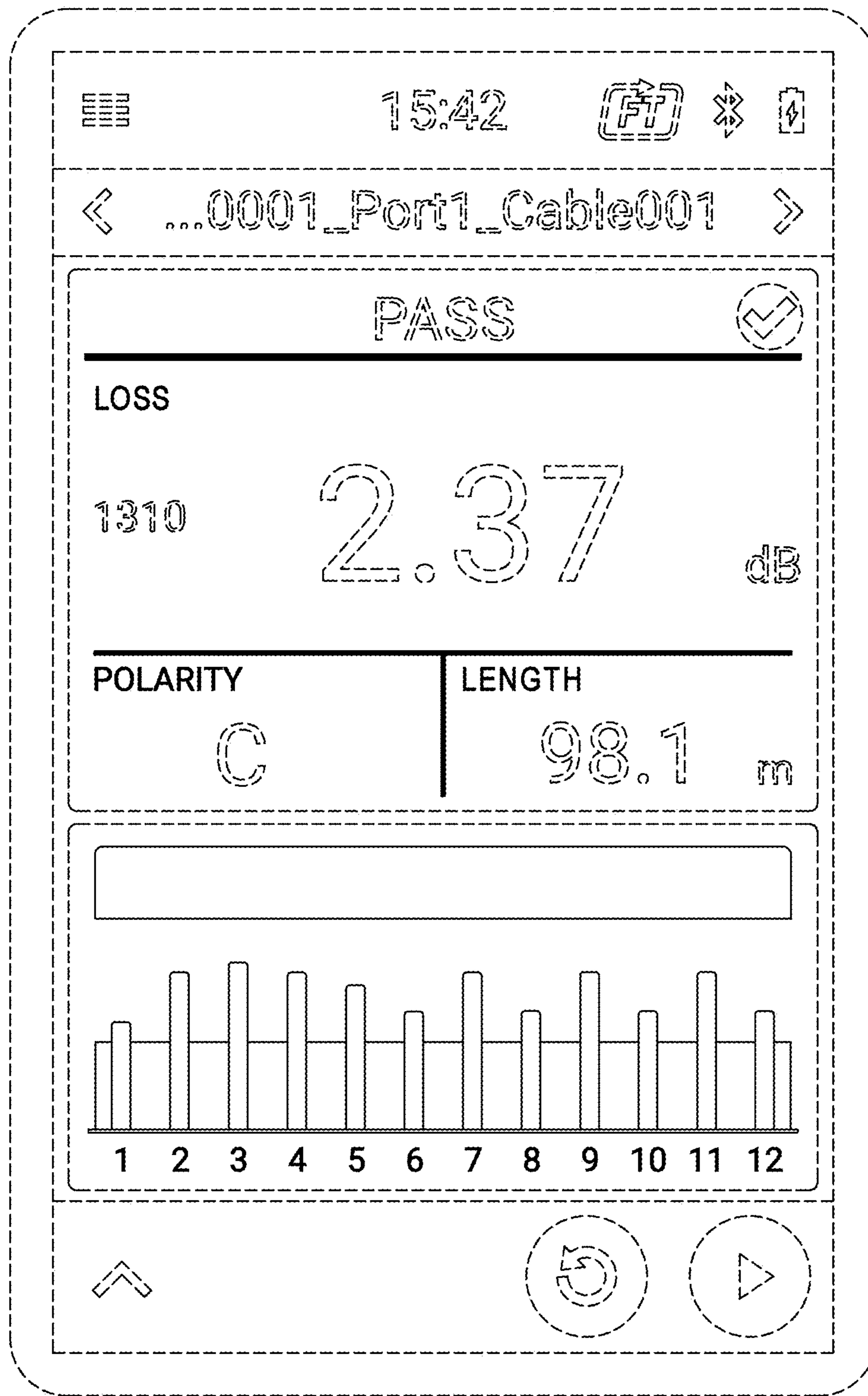


FIG. 1

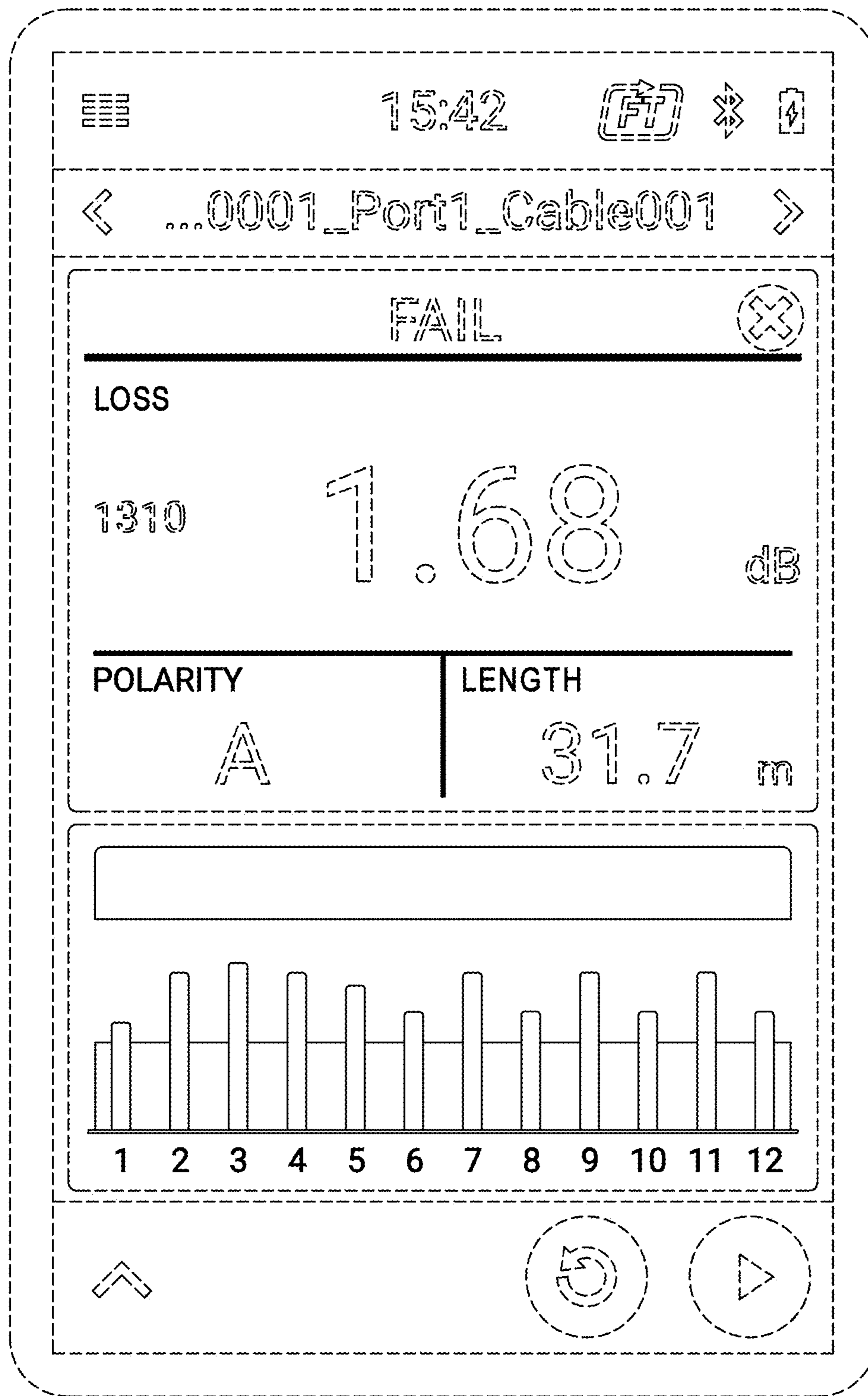


FIG. 2

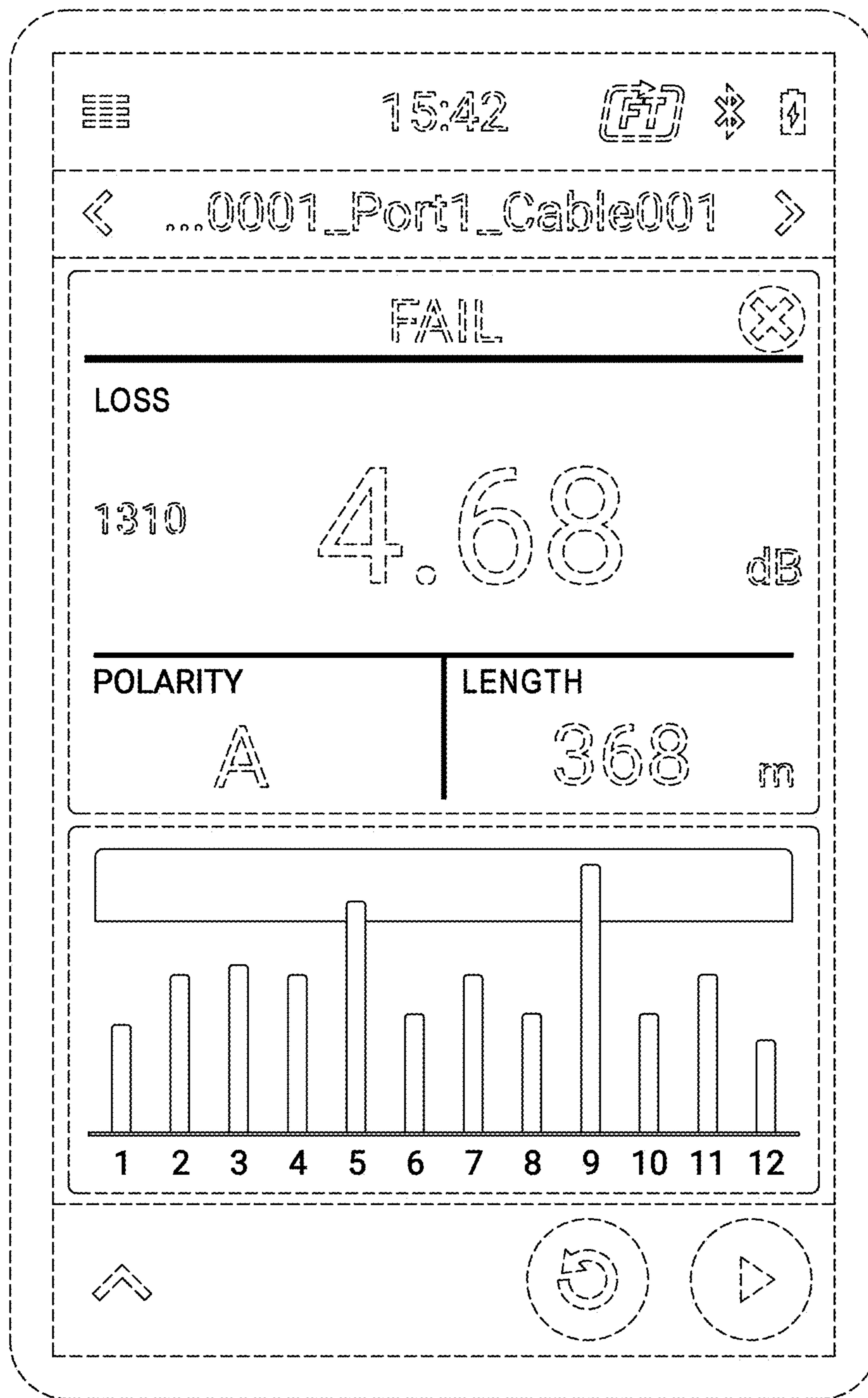


FIG. 3

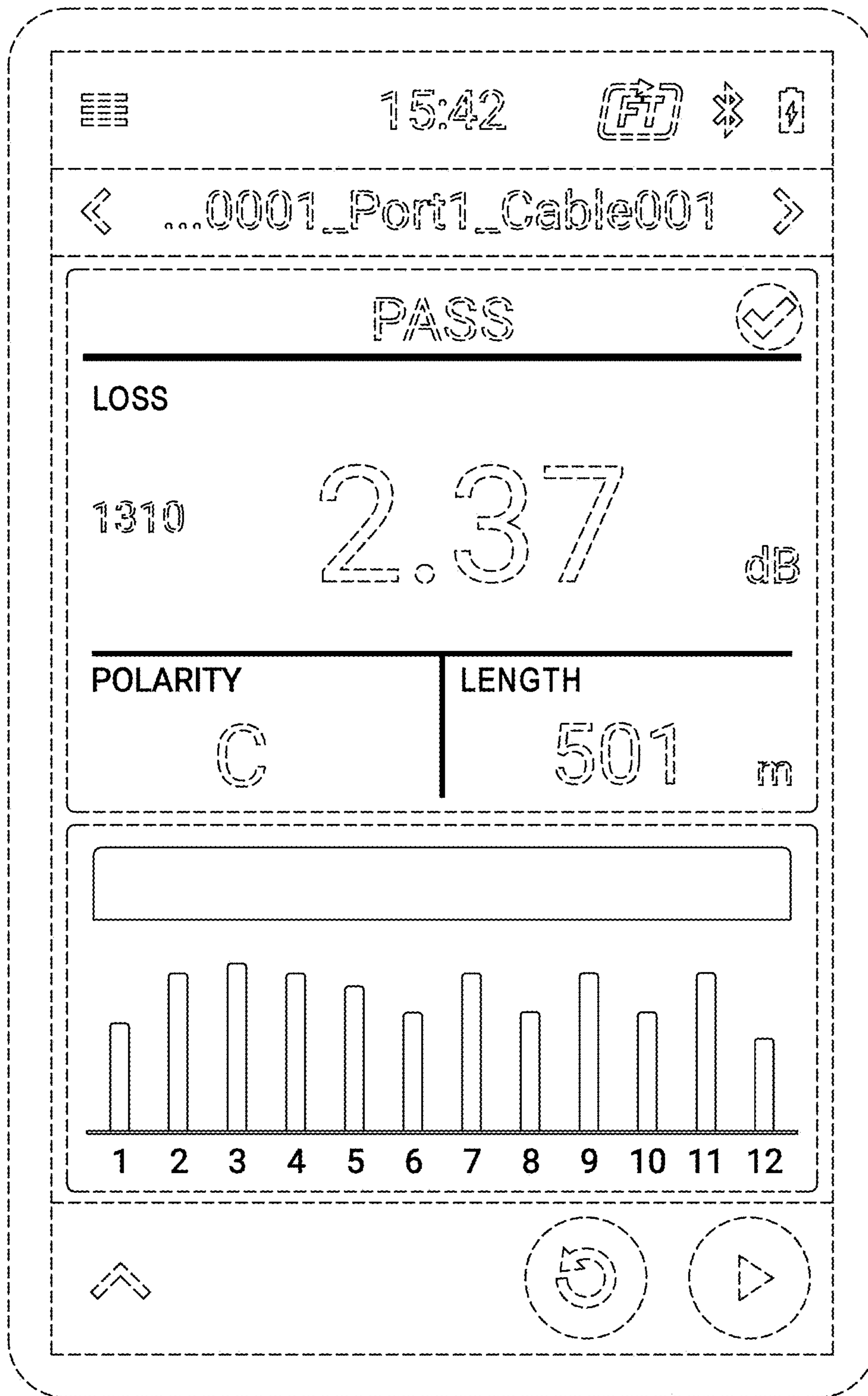


FIG. 4

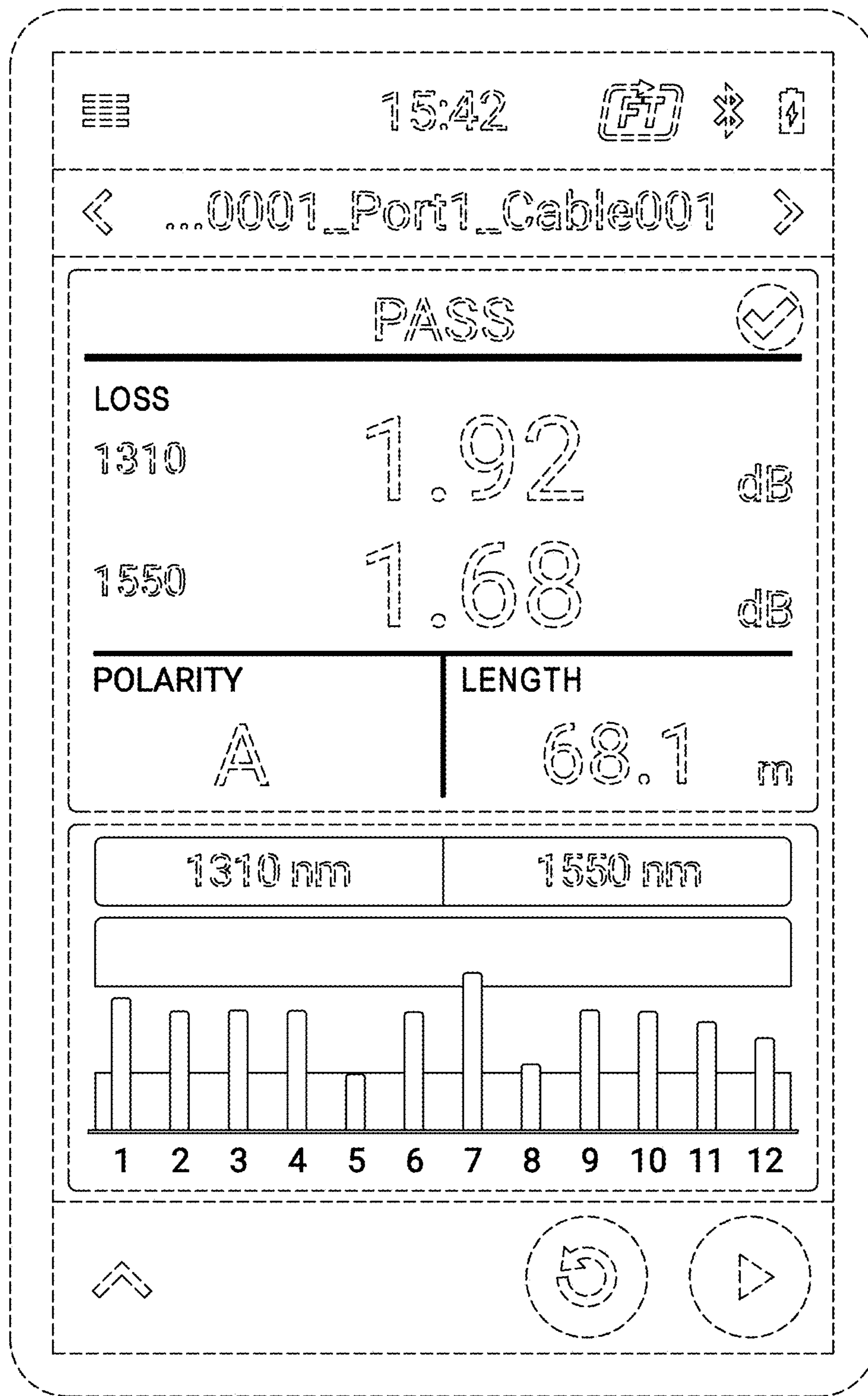


FIG. 5

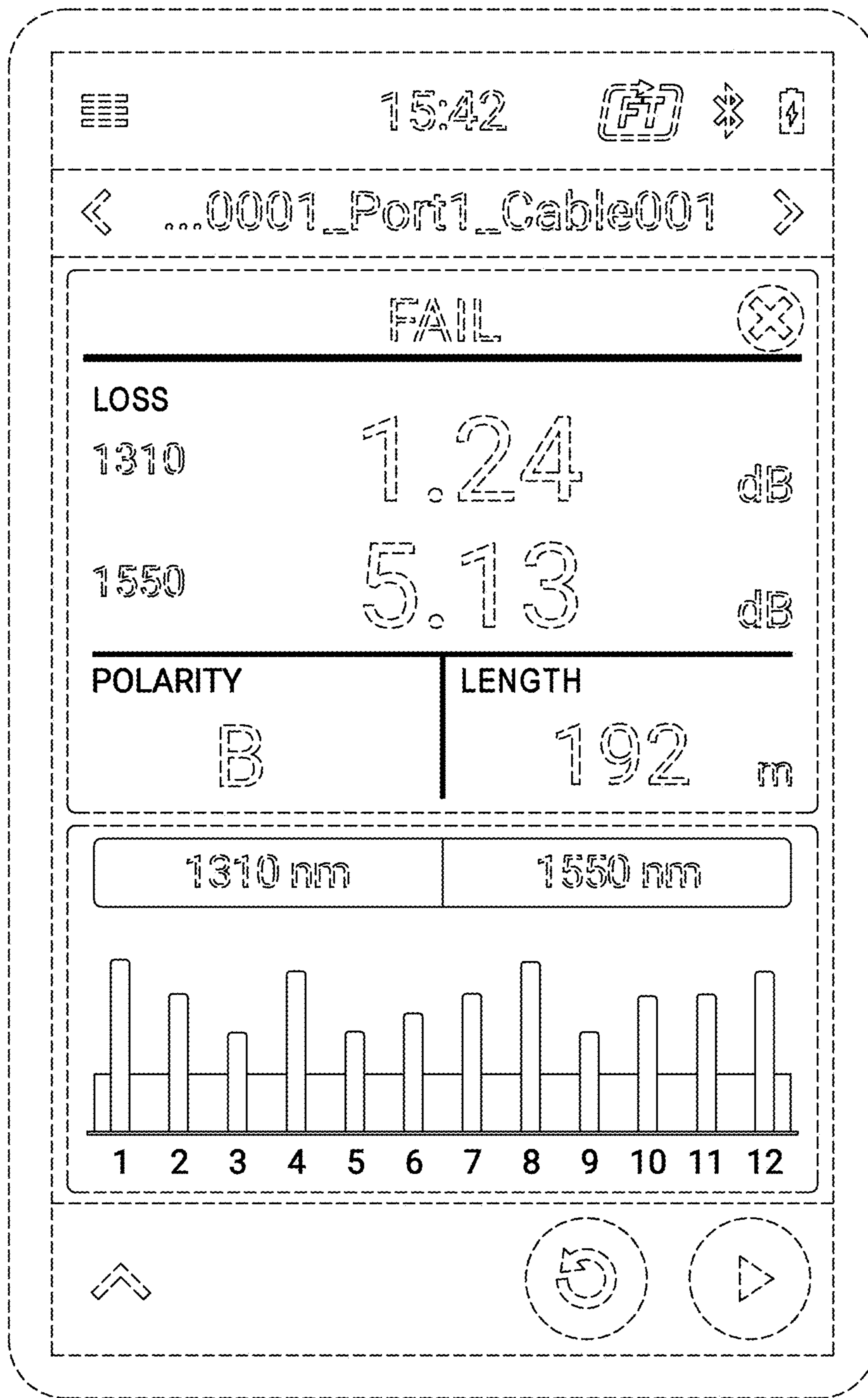


FIG. 6

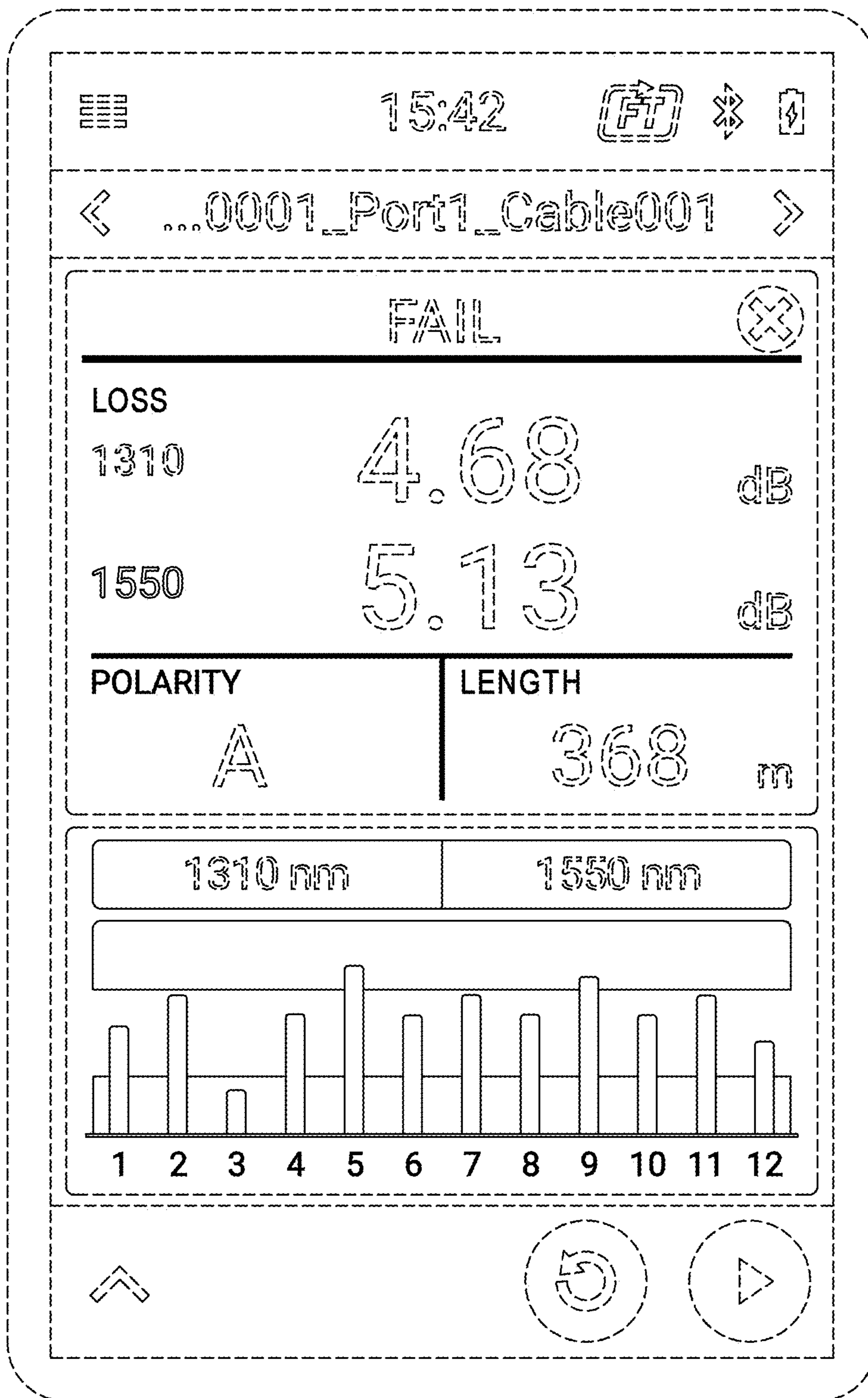


FIG. 7

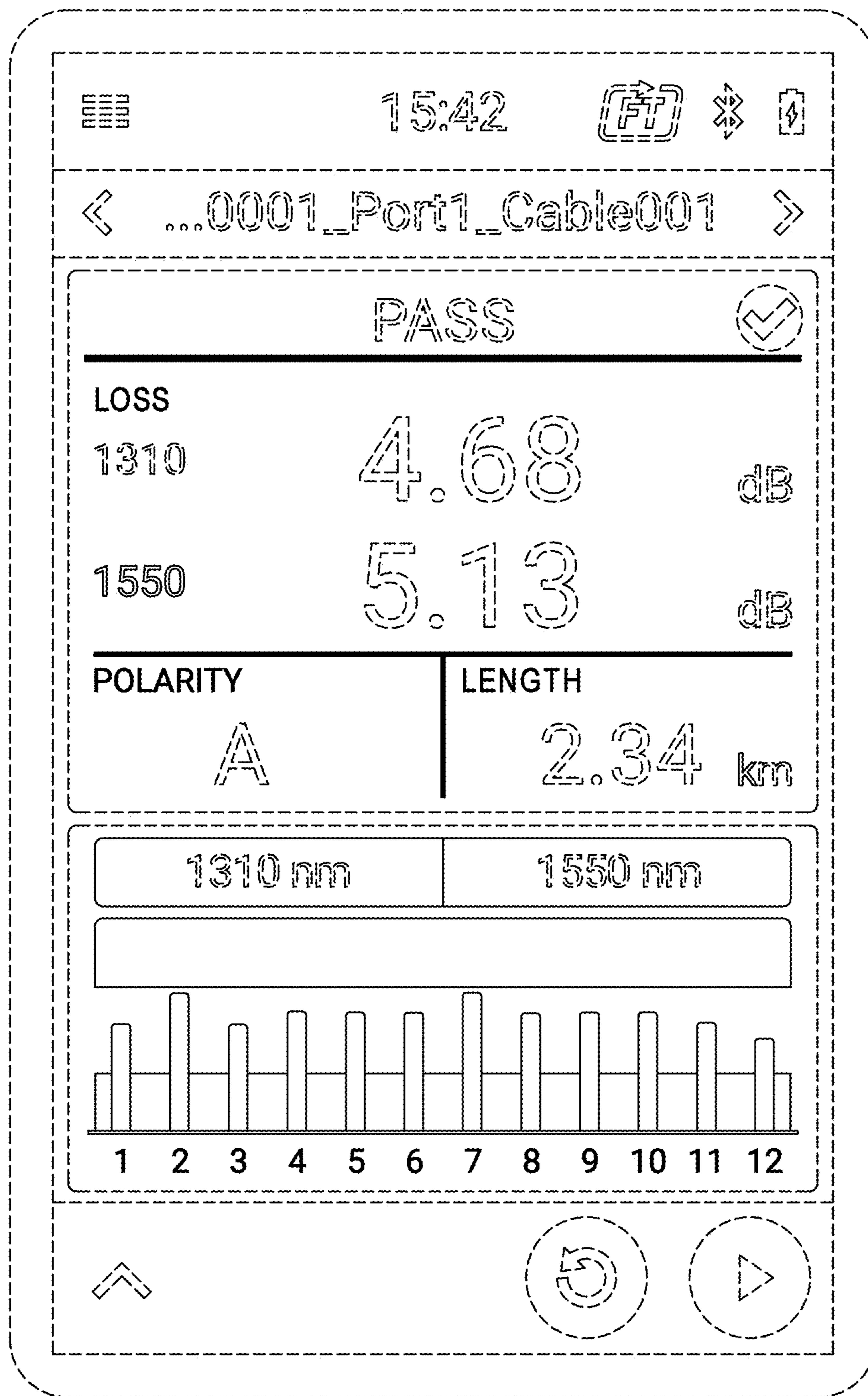


FIG. 8