



US00D955403S

(12) **United States Design Patent** (10) **Patent No.:** **US D955,403 S**
Trujillo et al. (45) **Date of Patent:** **** Jun. 21, 2022**

(54) **DISPLAY SCREEN OR PORTION THEREOF WITH GRAPHICAL USER INTERFACE**

(56) **References Cited**

(71) Applicant: **Pax Labs, Inc.**, San Francisco, CA (US)

U.S. PATENT DOCUMENTS

(72) Inventors: **Mario Trujillo**, San Francisco, CA (US); **Alexander Fishwick**, Monte Sereno, CA (US)

D307,127 S 4/1990 Simons et al.
D454,574 S 3/2002 Wasko et al.
D521,521 S 5/2006 Jewitt et al.
D638,025 S 5/2011 Saft et al.
D652,050 S * 1/2012 Chaudhri D14/486
D678,320 S 3/2013 Kanalakakis, Jr. et al.

(Continued)

(73) Assignee: **PAX Labs, Inc.**, San Francisco, CA (US)

OTHER PUBLICATIONS

(**) Term: **15 Years**

Crook, Jordan. "PAX introduces Session Control to let novice users control their intake." Jun. 19, 2018. Retrieved Sep. 22, 2021 online at URL: <https://techcrunch.com/2018/06/19/pax-introduces-session-control-to-let-novice-users-control-their-intake/> (Year: 2018).*

(Continued)

(21) Appl. No.: **29/680,307**

(22) Filed: **Feb. 14, 2019**

(51) **LOC (13) Cl.** **14-04**

(52) **U.S. Cl.**

USPC **D14/485**

(58) **Field of Classification Search**

USPC D14/485-495

CPC G06F 3/048; G06F 3/0481; G06F 3/04812; G06F 3/04817; G06F 3/0482; G06F 3/0483; G06F 3/0484; G06F 3/04847; G06F 3/0485; G06F 3/04855; G06F 3/04886; G06Q 30/00; H03J 1/00; H03J 1/0008; H03J 1/0016; H03J 1/0025; H04N 5/00; H04N 5/08; H04N 5/14; H04N 5/222; H04N 5/225; H04N 5/232; H04N 5/445; H04N 5/44543; H04N 5/45; H04N 2005/44517; H04N 2005/44521; H04N 2005/44526; H04N 2005/4453; H04N 2005/44534; H04N 2005/44539; H04N 2005/44547; H04N 2005/44556; H04N 2005/4456; H04N 2005/44565; H04N 2005/44569; H04N 2005/44573; H04N 21/00; H04N 21/234; H04N 21/431; H04N 21/4312; H04N 21/4314; H04N 21/4316

Primary Examiner — Christian P. McLean

(74) *Attorney, Agent, or Firm* — Mintz, Levin, Cohn, Ferris, Glovsky and Popeo, P.C.

(57) **CLAIM**

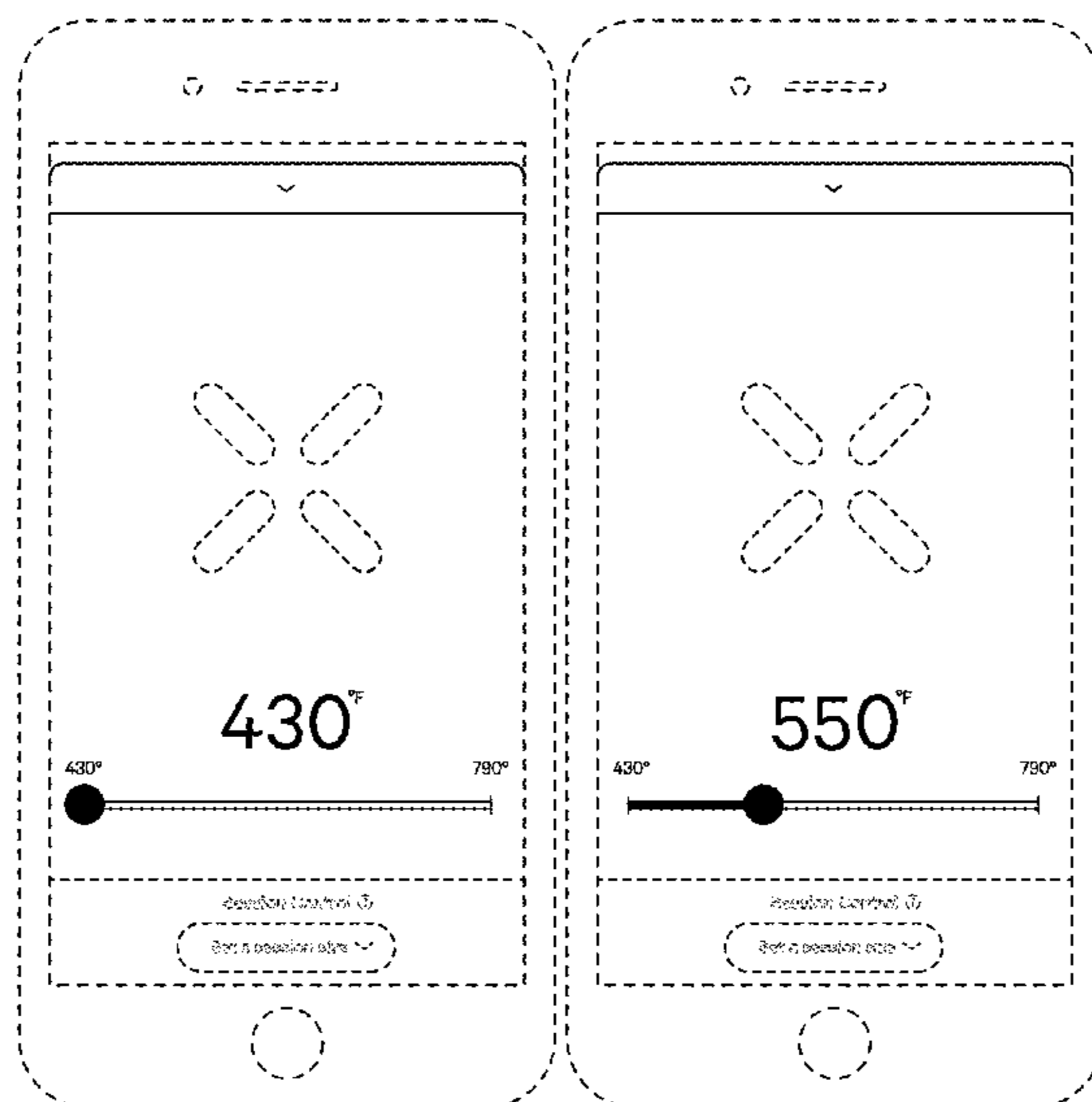
The ornamental design for a display screen or portion thereof with graphical user interface, as shown and described.

DESCRIPTION

FIG. 1 is a front view of a display screen or portion thereof with graphical user interface showing our new design; FIG. 2 is a front view of a second embodiment thereof; FIG. 3 is a front view of a third embodiment thereof; and, FIG. 4 is a front view of a fourth embodiment thereof. The broken lines illustrating portions of the graphical user interface form no part of the claimed design. The broken lines illustrating the display screen or portion thereof is for environmental purposes only and form no part of the claimed design.

See application file for complete search history.

1 Claim, 2 Drawing Sheets



(56)

References Cited

U.S. PATENT DOCUMENTS

D689,082 S 9/2013 Stiffler
 D701,226 S 3/2014 Jung
 D701,231 S 3/2014 Lee
 8,698,845 B2 4/2014 Lemay
 D712,920 S * 9/2014 Sloo D14/487
 D726,209 S * 4/2015 Angelides D14/486
 D732,062 S * 6/2015 Kwon D14/487
 D733,740 S * 7/2015 Lee D14/487
 D733,741 S * 7/2015 Lee D14/487
 D735,213 S 7/2015 Kim et al.
 D748,141 S 1/2016 Park et al.
 D758,407 S 6/2016 Kim et al.
 D763,308 S * 8/2016 Wang D14/488
 D763,875 S * 8/2016 Yuk D14/485
 D763,885 S * 8/2016 Liu D14/486
 D769,927 S 10/2016 Kim et al.
 D771,066 S 11/2016 Alvarez et al.
 D776,677 S 1/2017 Shi
 D781,319 S 3/2017 Kim et al.
 D788,621 S * 6/2017 Shallice D14/486
 9,678,571 B1 * 6/2017 Robert G06F 3/0488
 D791,166 S * 7/2017 Sandhu D14/487
 D791,819 S * 7/2017 Sagawa D14/488
 D796,540 S * 9/2017 McLean D14/487
 D798,311 S 9/2017 Golden et al.
 D802,622 S * 11/2017 Clymer D14/487
 D809,012 S 1/2018 Mencke et al.
 D819,067 S * 5/2018 Behzadi D14/486
 D820,317 S 6/2018 Graumann et al.
 D826,969 S 8/2018 Goyette et al.
 D828,853 S 9/2018 Schaper et al.
 D842,884 S 3/2019 Krainer et al.
 D843,381 S 3/2019 Wassell et al.
 10,231,486 B2 3/2019 Bowen et al.
 D845,975 S 4/2019 Peeten et al.
 D848,459 S * 5/2019 Li D14/486
 D853,431 S * 7/2019 Sagrillo D14/486
 D873,283 S 1/2020 Bradley et al.
 D874,492 S * 2/2020 Henderson D14/486
 D875,106 S 2/2020 Winton et al.
 D879,118 S 3/2020 Chen et al.
 D882,623 S * 4/2020 van Zyl D14/487
 D887,425 S 6/2020 Bremer
 D887,447 S 6/2020 Brinker et al.
 D891,459 S * 7/2020 Suzuki D14/488
 D901,520 S 11/2020 Gangcuangco et al.
 D907,659 S * 1/2021 Everette D14/488
 D909,398 S * 2/2021 Fremine D14/485
 D914,044 S 3/2021 Rondoni et al.
 D914,702 S 3/2021 Al Majid et al.
 D914,703 S 3/2021 Capela et al.
 D914,733 S * 3/2021 Fischbach D14/486
 D914,740 S * 3/2021 Clymer D14/487
 D915,440 S 4/2021 Kim et al.
 D916,117 S 4/2021 Downie et al.
 D916,720 S * 4/2021 Park D14/485
 D917,503 S 4/2021 Sakurai et al.
 D919,638 S 5/2021 Marsolek et al.

D919,653 S * 5/2021 Everette D14/488
 D923,028 S * 6/2021 Perron D14/486
 D924,900 S 7/2021 Chen
 D925,566 S * 7/2021 Hayamizu D14/486
 D926,206 S * 7/2021 Fisher D14/486
 D928,798 S * 8/2021 Yost D14/485
 D929,416 S * 8/2021 Blankensmith D14/485
 D936,076 S * 11/2021 Algarra Jaimes D14/485
 D937,890 S * 12/2021 Behzadi D14/487
 D938,478 S * 12/2021 Childress D14/488
 D940,188 S * 1/2022 Francis D14/488
 D941,315 S * 1/2022 Machniewska D14/485
 D941,873 S * 1/2022 Silfver D14/488
 2014/0161412 A1 6/2014 Chase et al.
 2014/0281967 A1 9/2014 Bodnick et al.
 2016/0283090 A1 * 9/2016 Seo H04B 1/40
 2018/0077967 A1 3/2018 Hatton et al.
 2019/0380388 A1 * 12/2019 Amorde A24F 40/65
 2020/0146361 A1 5/2020 Silver et al.

OTHER PUBLICATIONS

Koslow, Tyler. "Everything you need to know about the PAX 3." weedmaps.com. Jul. 17, 2019. Retrieved Sep. 22, 2021 online at URL: <https://weedmaps.com/news/2019/07/everything-you-need-to-know-about-the-pax-3/> (Year: 2019).*

"What's a good way to show a slider that also has on/off toggle in an app?" ux.stackexchange.com. Edited Oct. 19, 2017. Retrieved Sep. 22, 2021 online at URL: <https://ux.stackexchange.com/questions/112807/whats-a-good-way-to-show-a-slider-that-also-has-on-off-toggle-in-an-app> (Year: 2017).*

Create a Working Overlay Menu (To-Do List App)—Adobe Xd Tutorial, by Edwards, YouTube [online], published on Nov. 29, 2016, [retrieved on Feb. 16, 2021], retrieved from the Internet <URL: https://www.youtube.com/watch?v=OJ_Rur3_Ycxc> (Year:2016), 1 page.

Loader Spinner—Free Download, by Peck, dribbble.com [online], published on Jun. 28, 2013, [retrieved on Oct. 14, 2020], retrieved from the Internet <URL: <https://dribbble.com/shots/1134875-Loader-Spinner-Free-Download>> (Year: 2013), 2 pages.

Nexus 5 Zooper Widget for Android, by Pasha, apkpure.com [online], published on Apr. 25, 2014, [retrieved on Oct. 14, 2020], retrieved from the Internet <URL: <https://apkpure.com/nexus-5-zooper-widget/my.nexus5.widget>> (Year 2014), 1 page.

PAX 3 How To / Review, by B2Sqr, YouTube [online], published on Jun. 3, 2018, [retrieved on Oct. 14, 2020], retrieved from the Internet <URL: https://www.youtube.com/watch?v=J_uoKk-P4Ko> (Year: 2018), 1 page.

PAX Labs Announces "Session Control" Feature for Era Vaporizer, marijuanaventure.com [online], published on Jun. 19, 2018, [retrieved on Oct. 14, 2020], retrieved from the Internet <URL:<https://www.marijuanaventure.com/pax-labs-announces-session-control-feature-for-era-vaporizer/>>(Year: 2018), 1 page.

Progress Bar, by Pintille, dribbble.com [online], published on Sep. 5, 2012, [retrieved on Feb. 16, 2021], retrieved from the Internet<URL: <https://dribbble.com/shots/716707-Progress-bar>> (Year: 2012), 1 page.

* cited by examiner

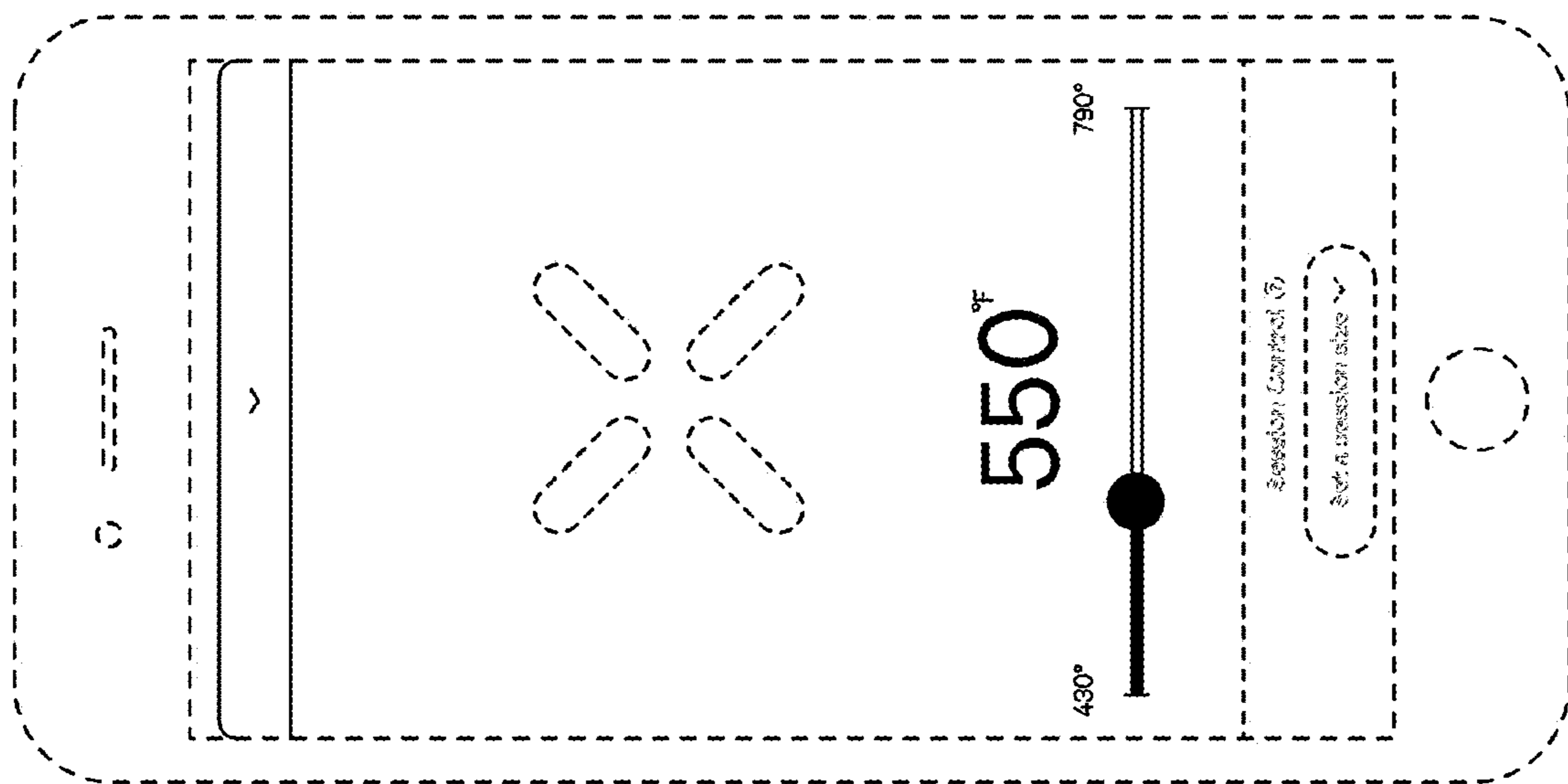


FIG. 1

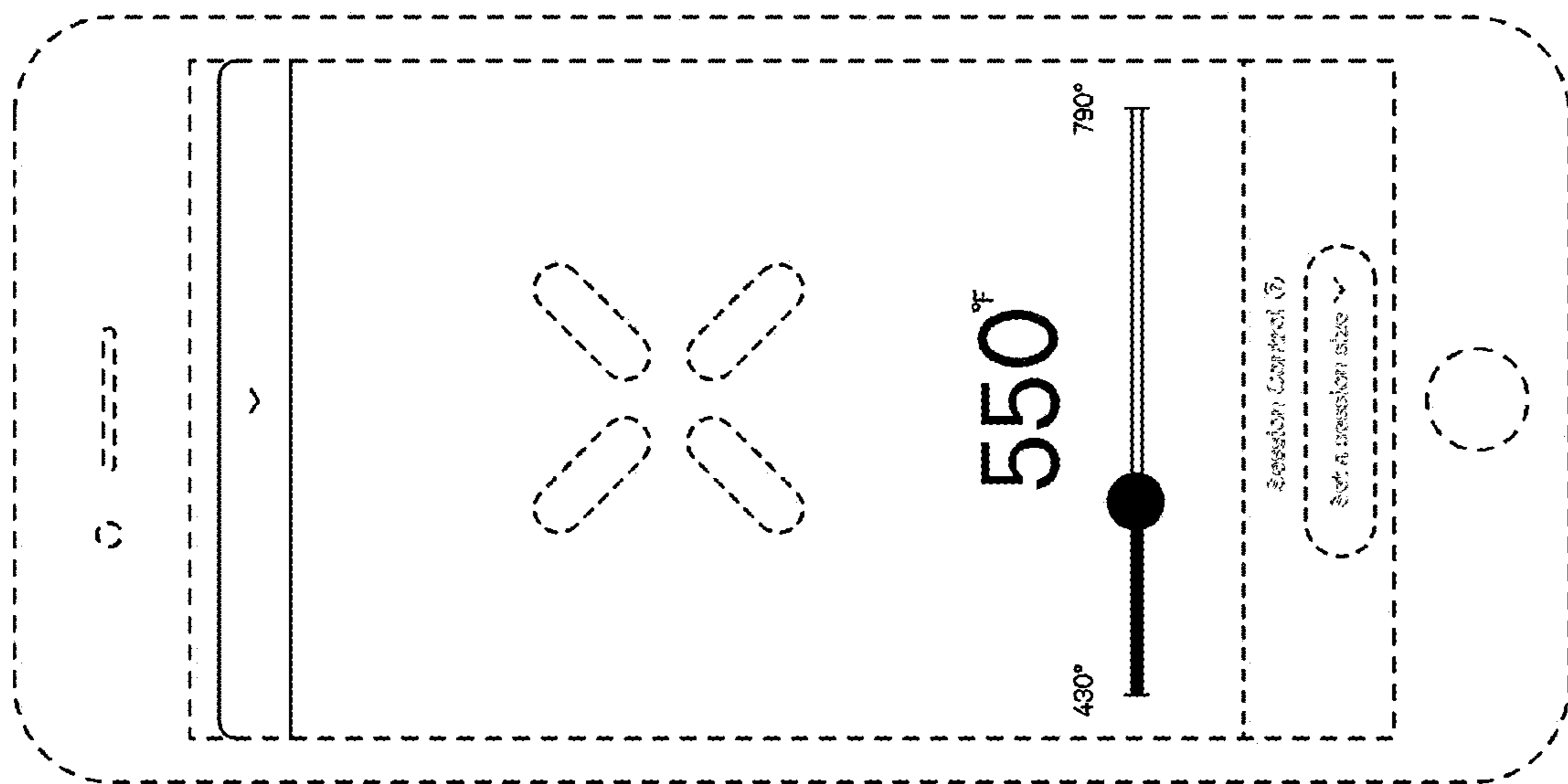


FIG. 2

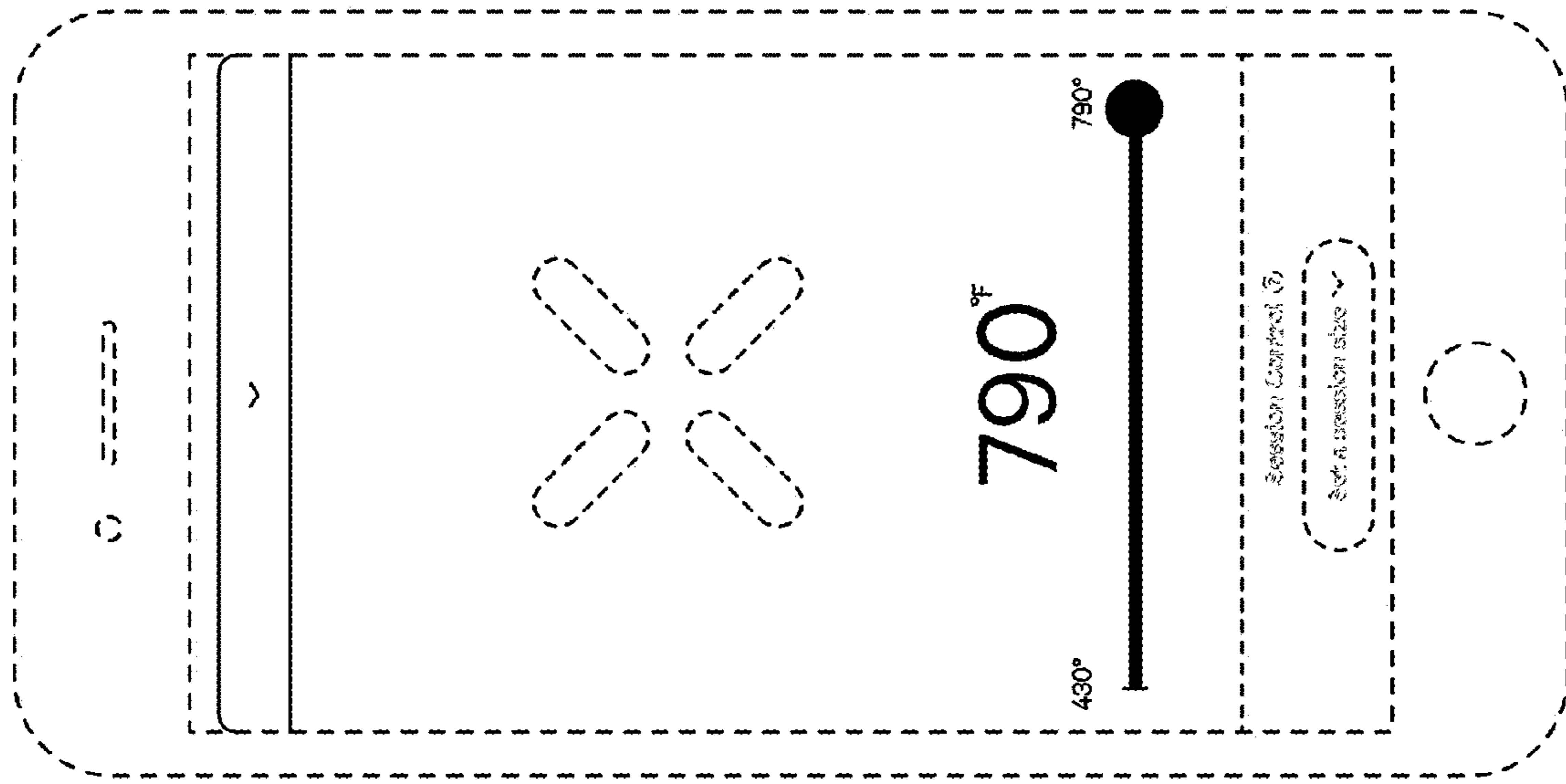


FIG. 3

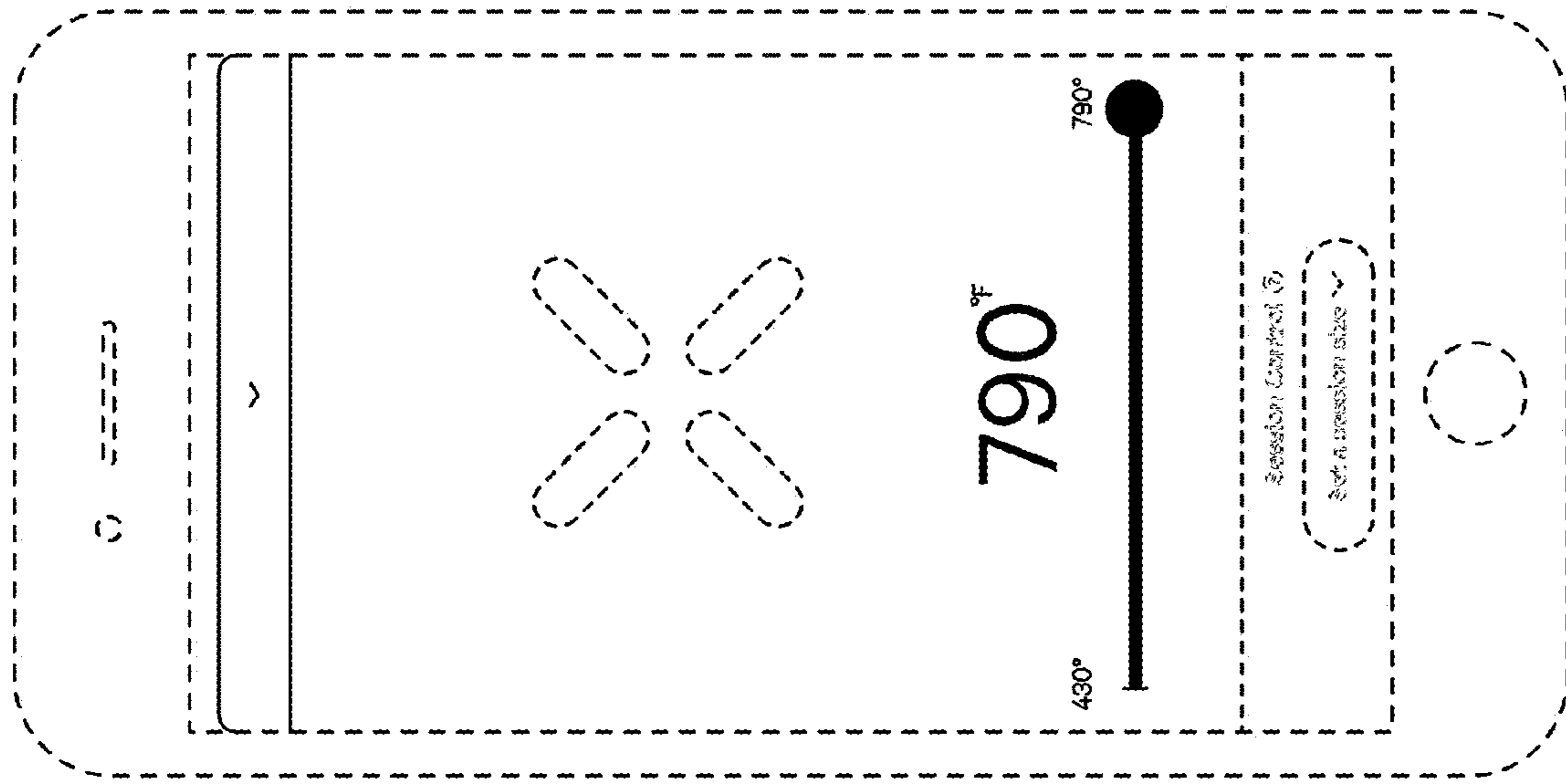


FIG. 4