



US00D955400S

(12) **United States Design Patent**  
**Chen et al.**

(10) **Patent No.:** **US D955,400 S**  
(45) **Date of Patent:** **\*\* Jun. 21, 2022**

(54) **HEAT-DISSIPATING BRACKET FOR NOTEBOOK COMPUTER**

(71) Applicant: **Acer Incorporated**, New Taipei (TW)

(72) Inventors: **Wei-Chang Chen**, New Taipei (TW);  
**Jung-Wei Tsao**, New Taipei (TW)

(73) Assignee: **Acer Incorporated**, New Taipei (TW)

(\*\*) Term: **15 Years**

(21) Appl. No.: **29/761,916**

(22) Filed: **Dec. 14, 2020**

(30) **Foreign Application Priority Data**

Jun. 30, 2020 (TW) ..... 109303472

(51) **LOC (13) Cl.** ..... **08-07**

(52) **U.S. Cl.**  
USPC ..... **D14/447**

(58) **Field of Classification Search**

USPC ..... D14/447, 432, 434, 439, 440, 451, 452,  
D14/457, 239, 253; D8/363, 373, 380;  
D6/406.3, 406.4, 406.5, 406.6; D12/415;  
D21/333, 332

CPC ..... A47B 21/04; A47B 2097/006; A47B  
2097/005; A47B 2023/049; A45C  
2011/002; A45C 2011/003; F16M  
2200/00; F16M 13/00

See application file for complete search history.

(56) **References Cited**

**U.S. PATENT DOCUMENTS**

D395,871 S \* 7/1998 Iino ..... D14/434  
D588,139 S \* 3/2009 Fujino ..... D14/447

D629,637 S *	12/2010	Hunt	.....	D6/629
D699,245 S *	2/2014	Lee	.....	D14/447
D817,964 S *	5/2018	Kim	.....	D14/447
D831,662 S *	10/2018	Hong	.....	D14/447
D852,803 S *	7/2019	Lin	.....	D14/447
D868,792 S *	12/2019	Zeng	.....	D14/447
D893,499 S *	8/2020	Kirkpatrick	.....	D14/447
D907,643 S *	1/2021	Wengreen	.....	D14/447
D921,641 S *	6/2021	Kuo	.....	D14/447
D929,407 S *	8/2021	Mecchella	.....	D14/434
D931,862 S *	9/2021	Zhong	.....	D14/447

\* cited by examiner

*Primary Examiner* — Angela J Lee

(74) *Attorney, Agent, or Firm* — JCIPRNET

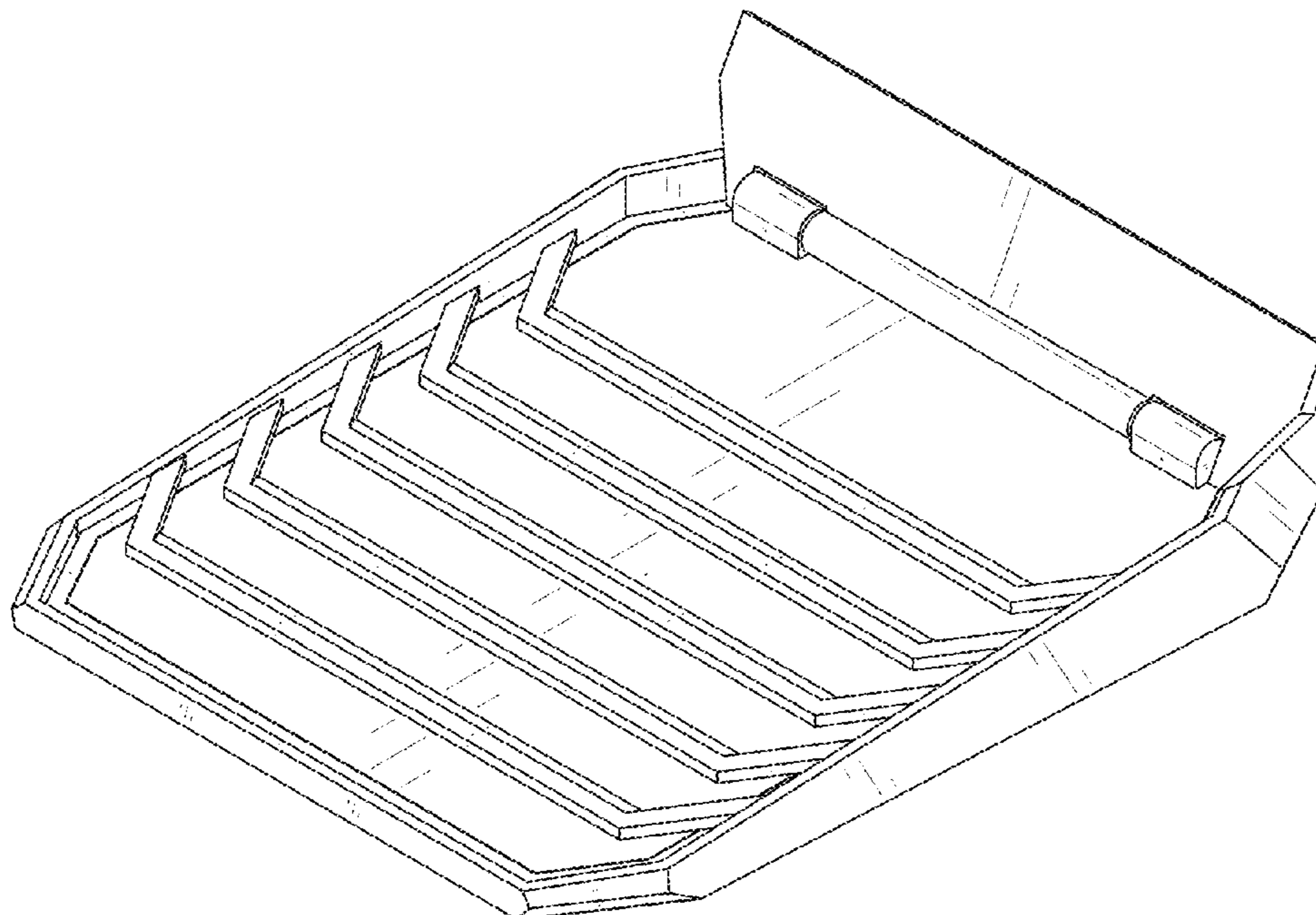
(57) **CLAIM**

The ornamental design for a heat-dissipating bracket for notebook computer, as shown and described.

**DESCRIPTION**

FIG. 1 is a perspective view of a heat-dissipating bracket for notebook computer showing our new design;  
FIG. 2 is another perspective view thereof;  
FIG. 3 is a front view thereof;  
FIG. 4 is a rear view thereof;  
FIG. 5 is a left side view thereof;  
FIG. 6 is a right side view thereof;  
FIG. 7 is a top view thereof;  
FIG. 8 is a bottom view thereof;  
FIG. 9 is a perspective view thereof showing the heat-dissipating bracket in the folding status; and,  
FIG. 10 is a reference view thereof showing the heat-dissipating bracket set up on the notebook computer.  
The dashed broken lines in FIG. 10 is for the purpose of depicting environment and form no part of the claim design.

**1 Claim, 7 Drawing Sheets**



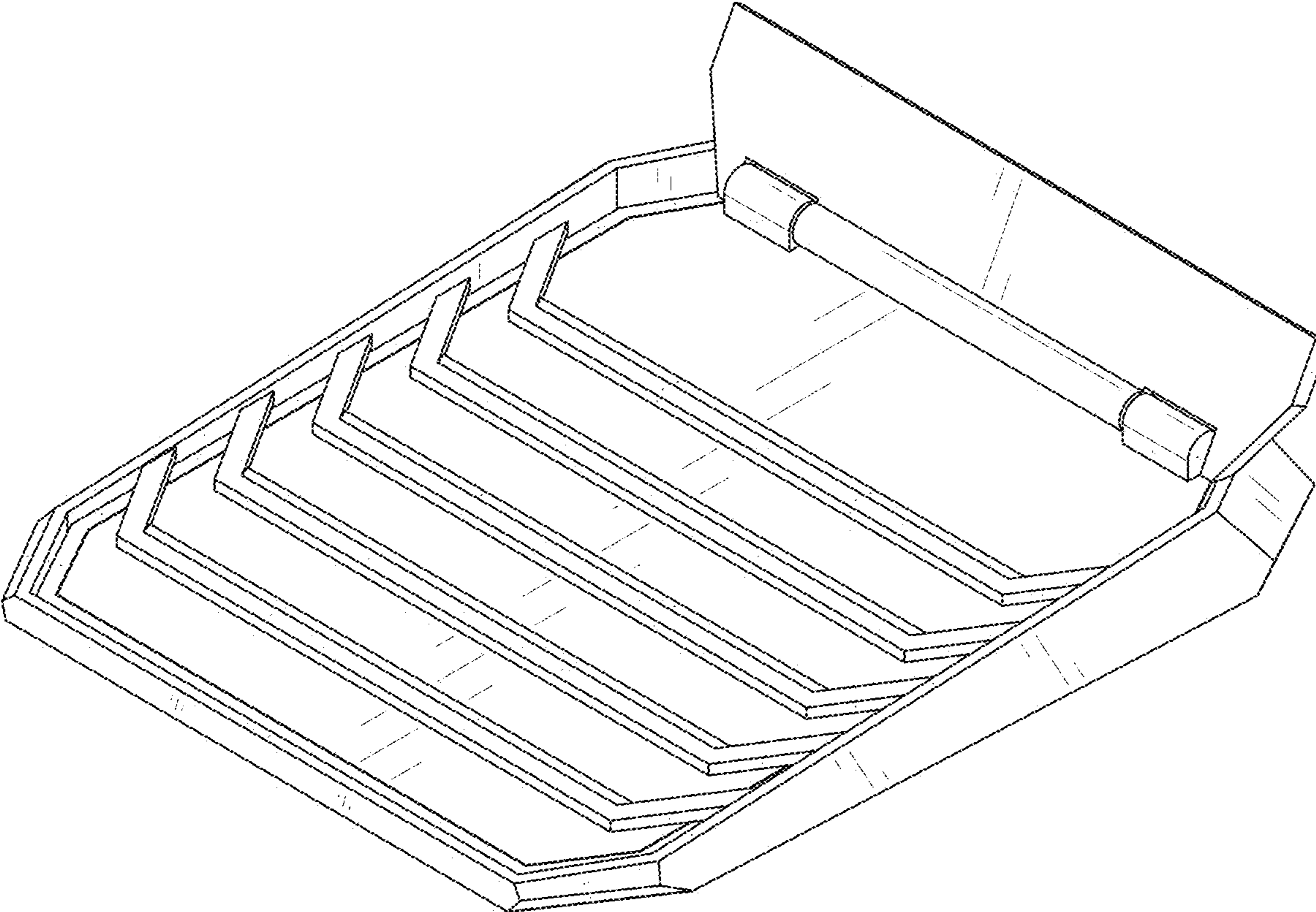


FIG. 1

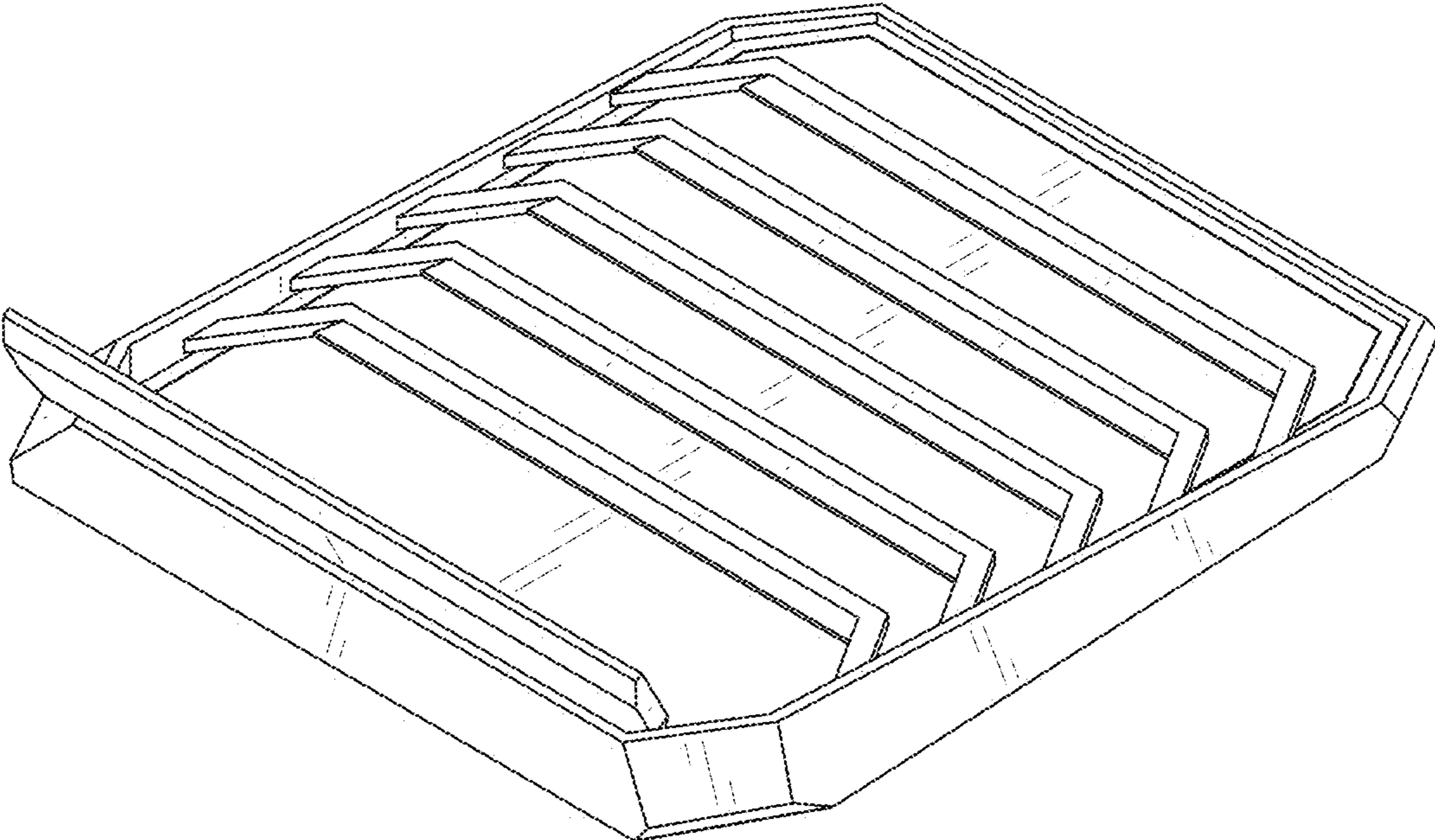


FIG. 2

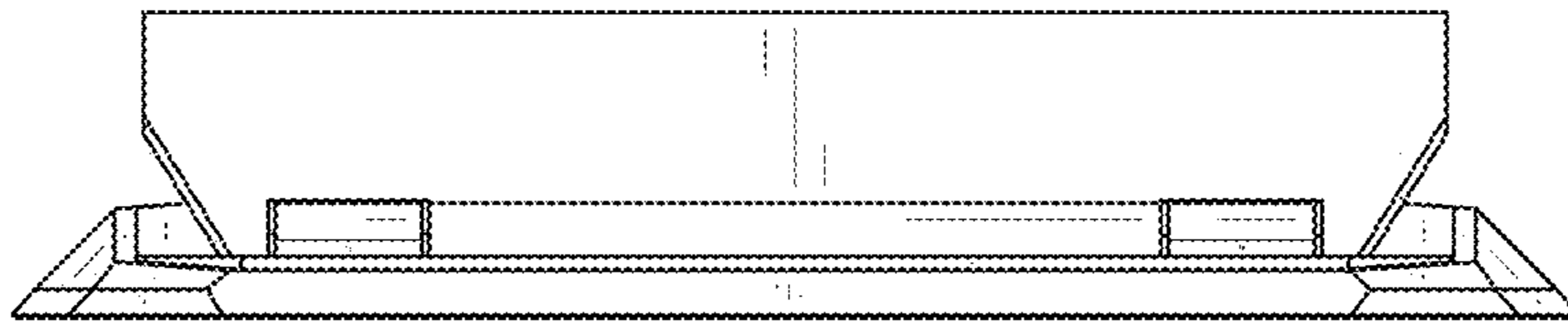


FIG. 3

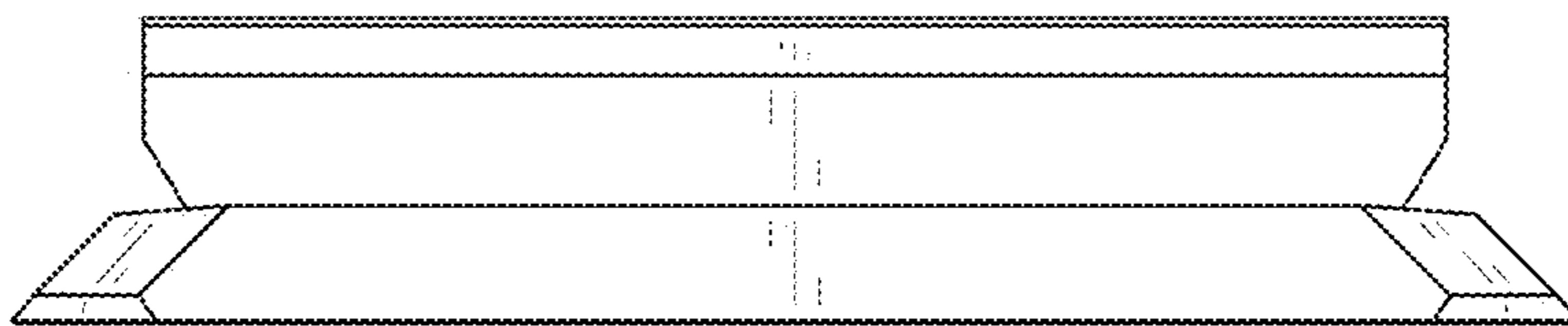


FIG. 4

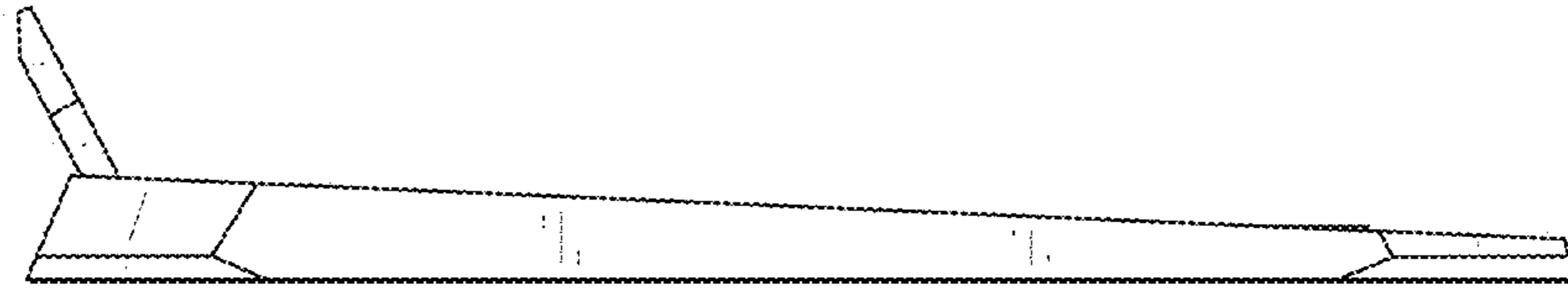


FIG. 5

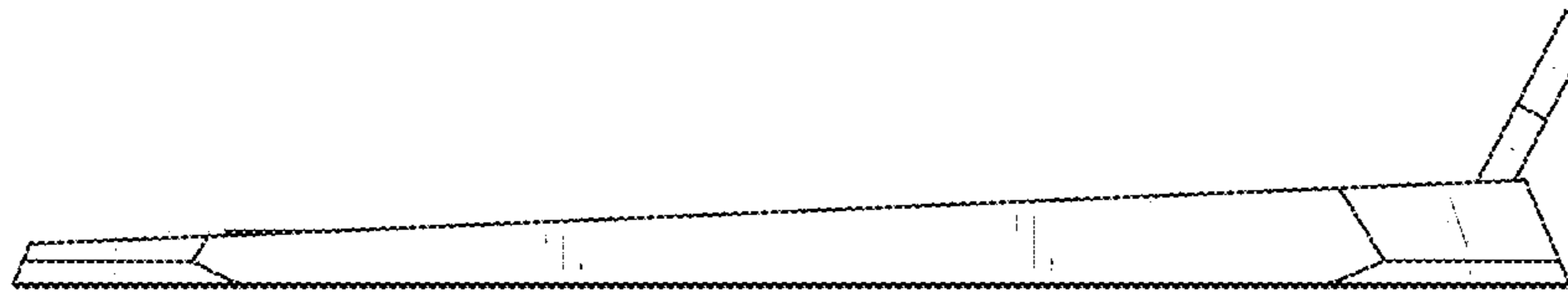


FIG. 6

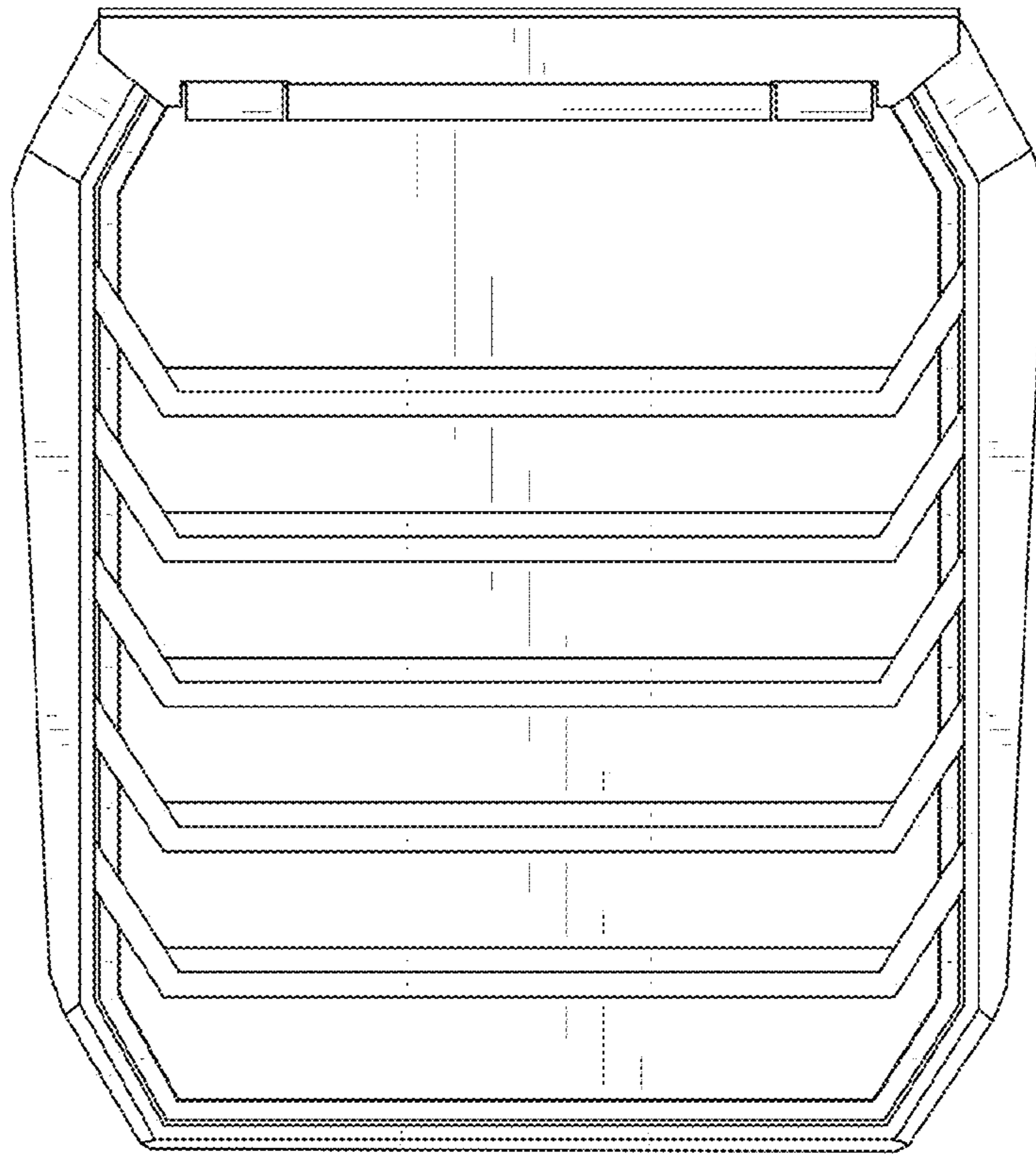


FIG. 7

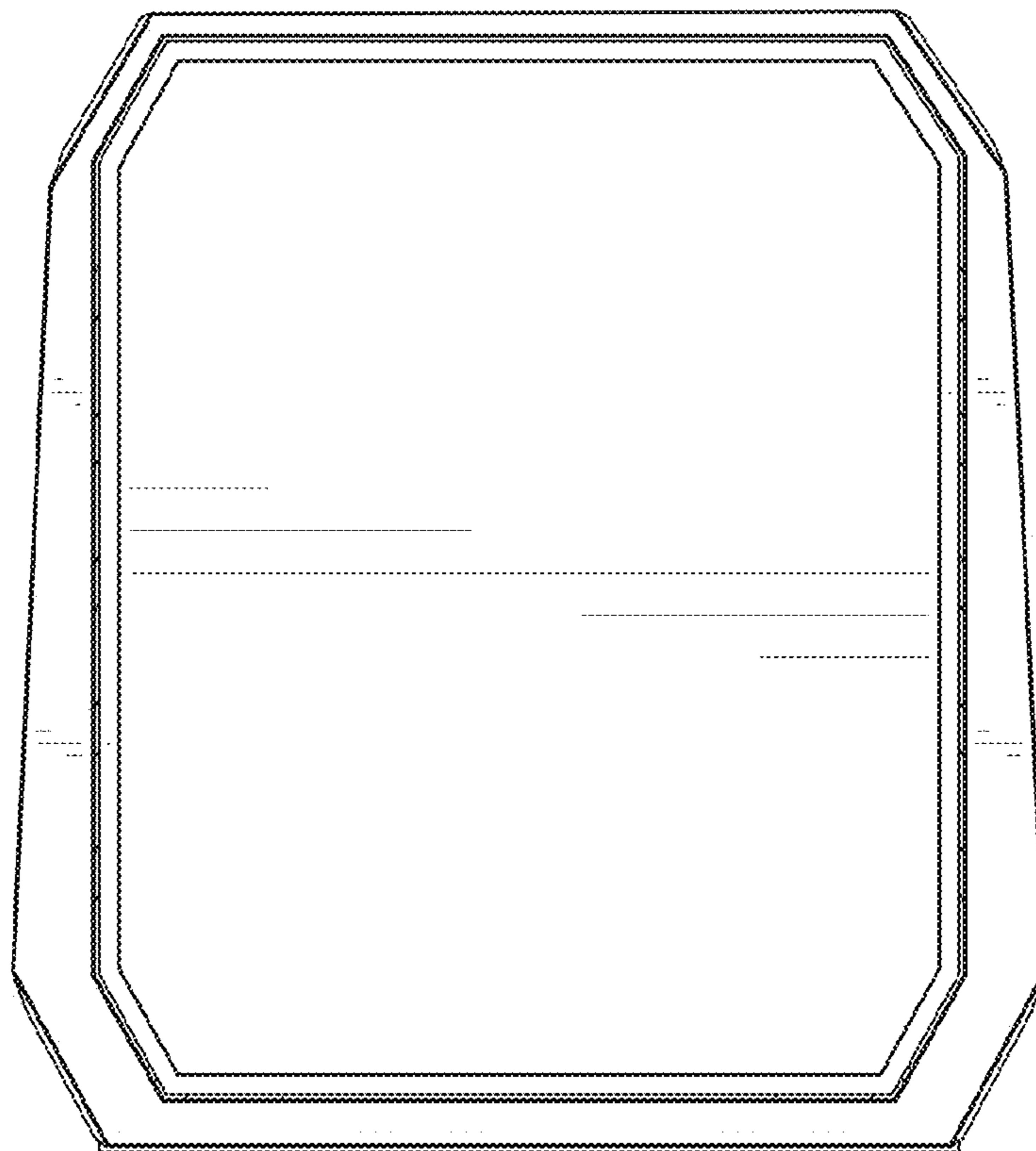


FIG. 8

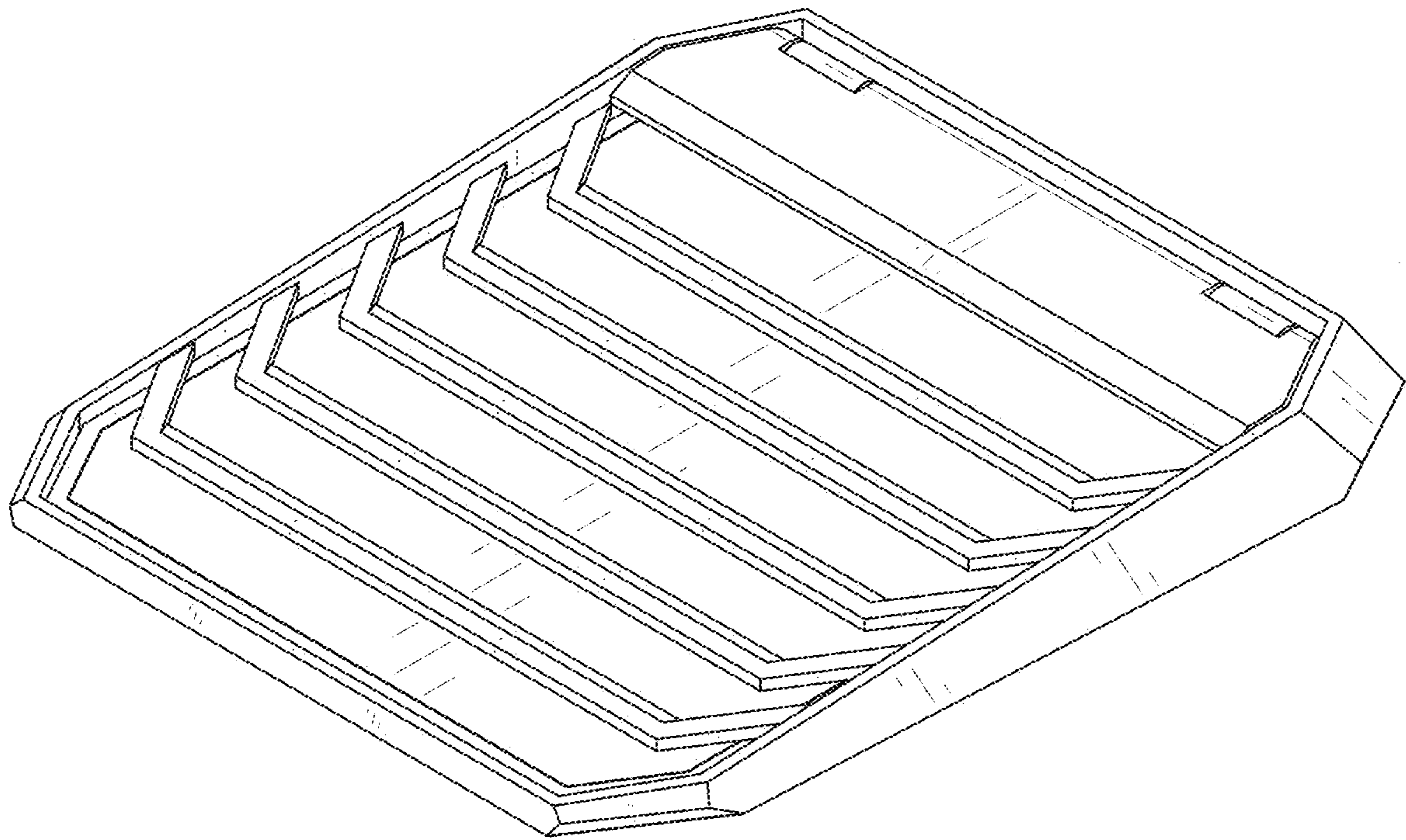


FIG. 9

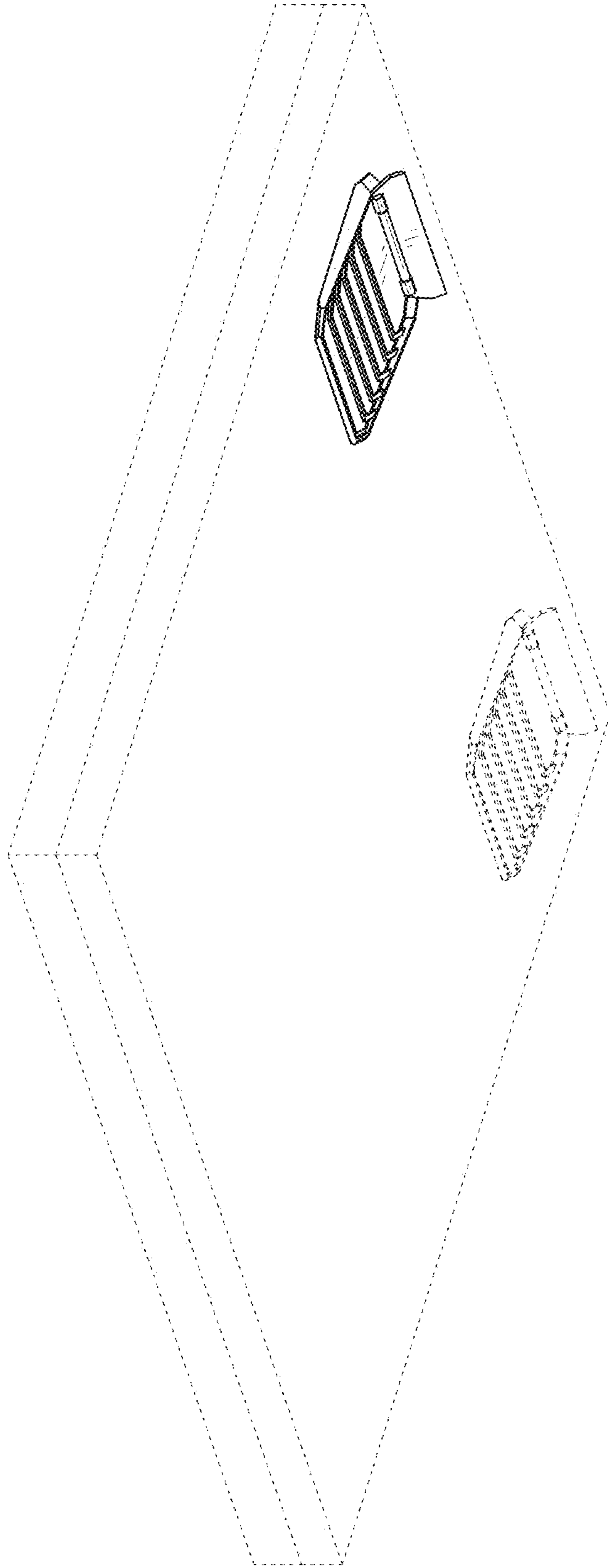


FIG. 10