



US00D955399S

(12) **United States Design Patent**  
**Shi**

(10) **Patent No.:** **US D955,399 S**  
(45) **Date of Patent:** **\*\* Jun. 21, 2022**

(54) **LAPTOP STAND**

(71) Applicant: **SHENZHEN BOYATA ELECTRONIC CO., LTD.**, Shenzhen (CN)

(72) Inventor: **Qi Shi**, Jieyang (CN)

(\*\*) Term: **15 Years**

(21) Appl. No.: **29/753,086**

(22) Filed: **Sep. 30, 2020**

(51) **LOC (13) Cl.** ..... **14-02**

(52) **U.S. Cl.**  
USPC ..... **D14/447**

(58) **Field of Classification Search**  
USPC ..... D14/447, 432, 434, 439, 440, 451, 452, D14/457, 239, 253, 250; D8/363, 373, D8/380; D6/406.3, 406.4, 406.5, 406.6; D12/415; D21/333, 332  
CPC ..... A47B 21/04; A47B 2097/006; A47B 2097/005; A47B 2023/049; A45C 2011/002; A45C 2011/003; F16M 2200/00; F16M 13/00  
See application file for complete search history.

(56) **References Cited**

**U.S. PATENT DOCUMENTS**

D483,767 S \* 12/2003 Green ..... D14/447  
D539,291 S \* 3/2007 Li ..... D14/447

D591,303 S \* 4/2009 Heggland ..... D14/434  
D680,122 S \* 4/2013 Yang ..... D14/447  
D730,914 S \* 6/2015 Park ..... D14/447  
D779,478 S \* 2/2017 Justiss ..... D14/253  
D829,215 S \* 9/2018 Magargee ..... D14/447  
D847,822 S \* 5/2019 Lye ..... D14/447  
D861,002 S \* 9/2019 Bergeron-Mirsky ..... D6/675.3  
D882,580 S \* 4/2020 Si ..... D14/447  
D893,499 S \* 8/2020 Kirkpatrick ..... D14/447

\* cited by examiner

*Primary Examiner* — Angela J Lee

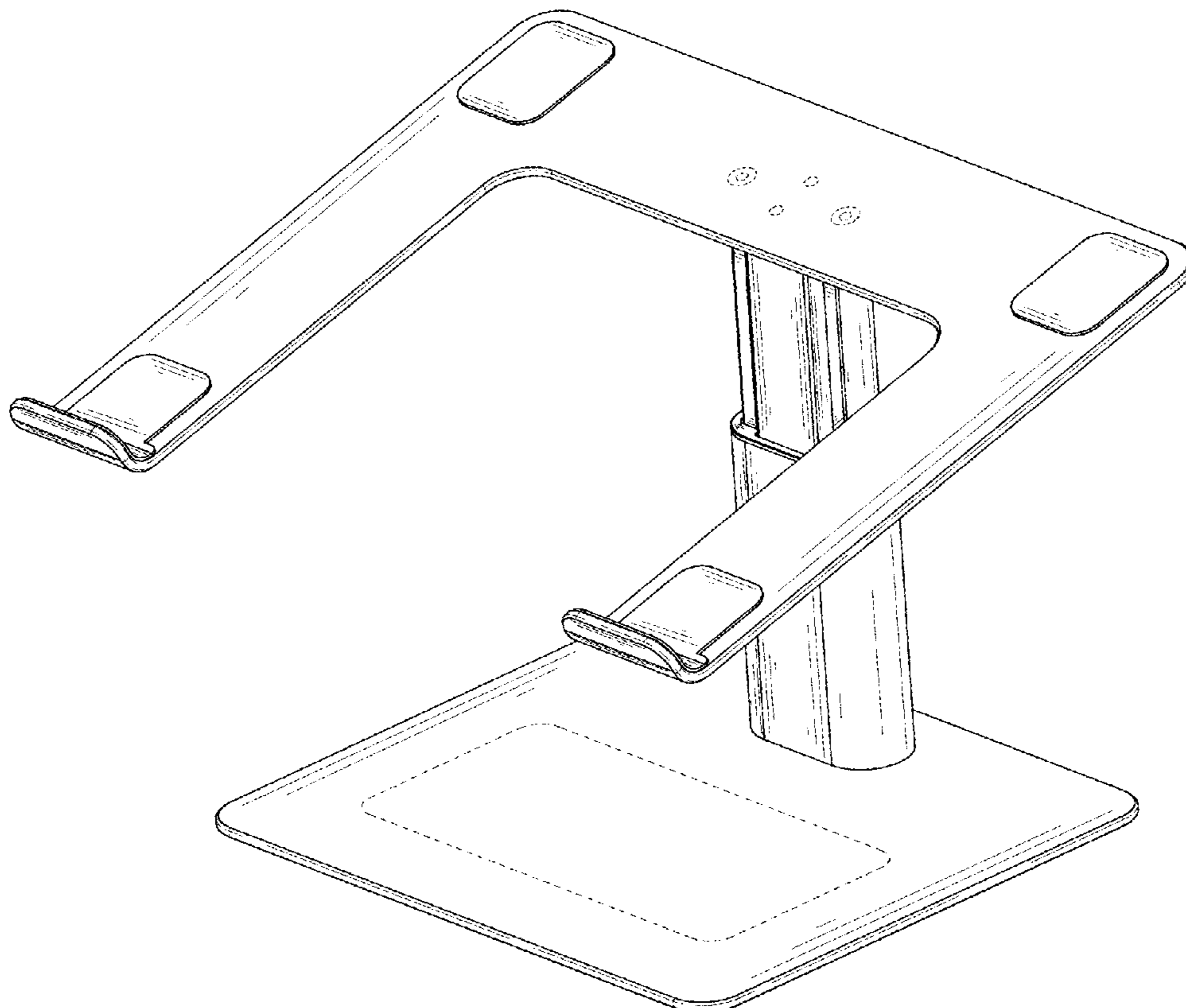
(57) **CLAIM**

The ornamental design for a laptop stand, as shown and described.

**DESCRIPTION**

FIG. 1 is a first perspective view of a laptop stand showing my new design;  
FIG. 2 is a second perspective view thereof;  
FIG. 3 is a front view thereof;  
FIG. 4 is a back view thereof;  
FIG. 5 is a left side view thereof;  
FIG. 6 is a right side view thereof;  
FIG. 7 is a top view thereof; and,  
FIG. 8 is a bottom view thereof.  
The broken lines shown in the drawings depict portions of the laptop stand in which the design is embodied that form no part of the claimed design.

**1 Claim, 8 Drawing Sheets**



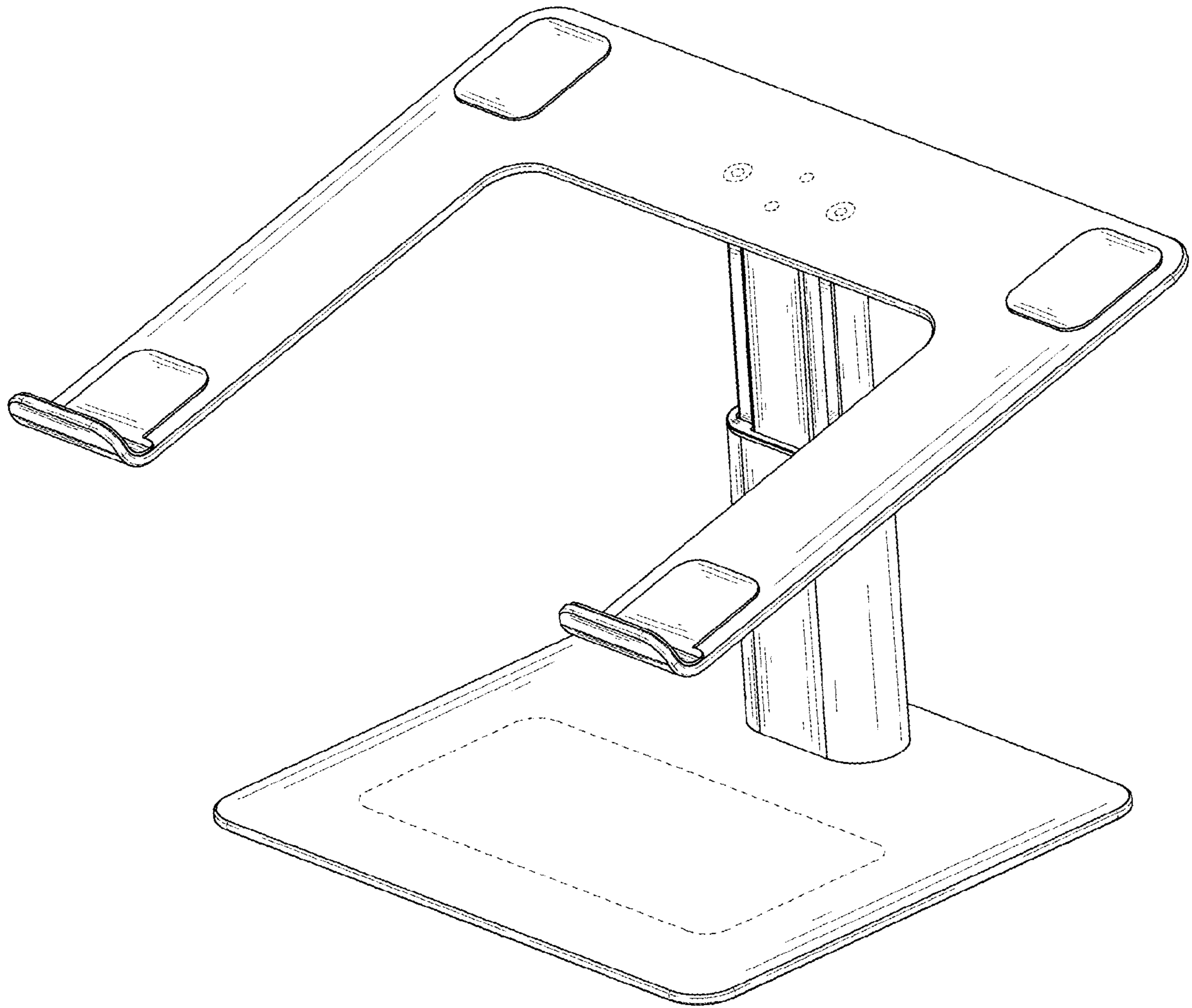


FIG. 1

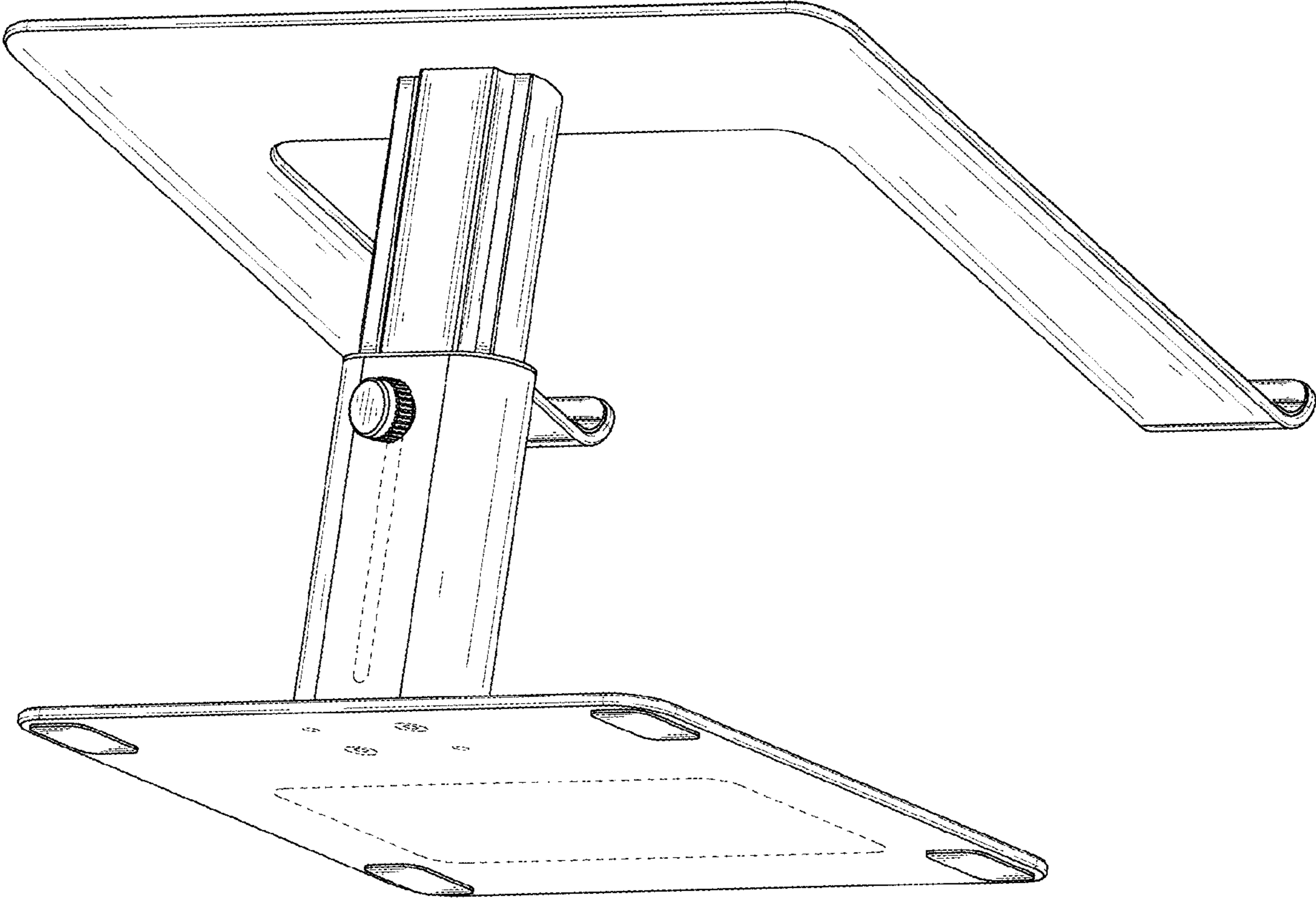


FIG. 2

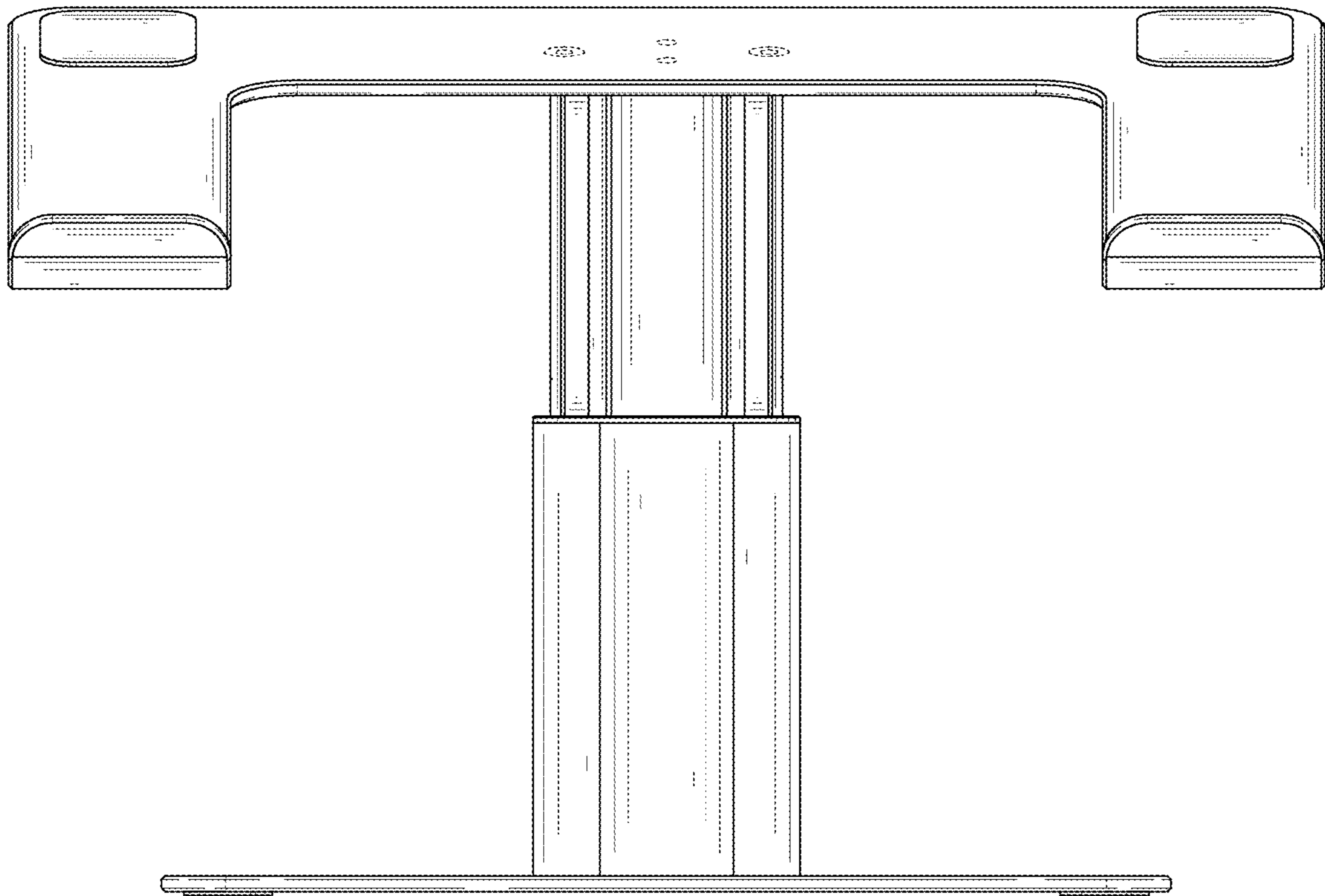


FIG. 3

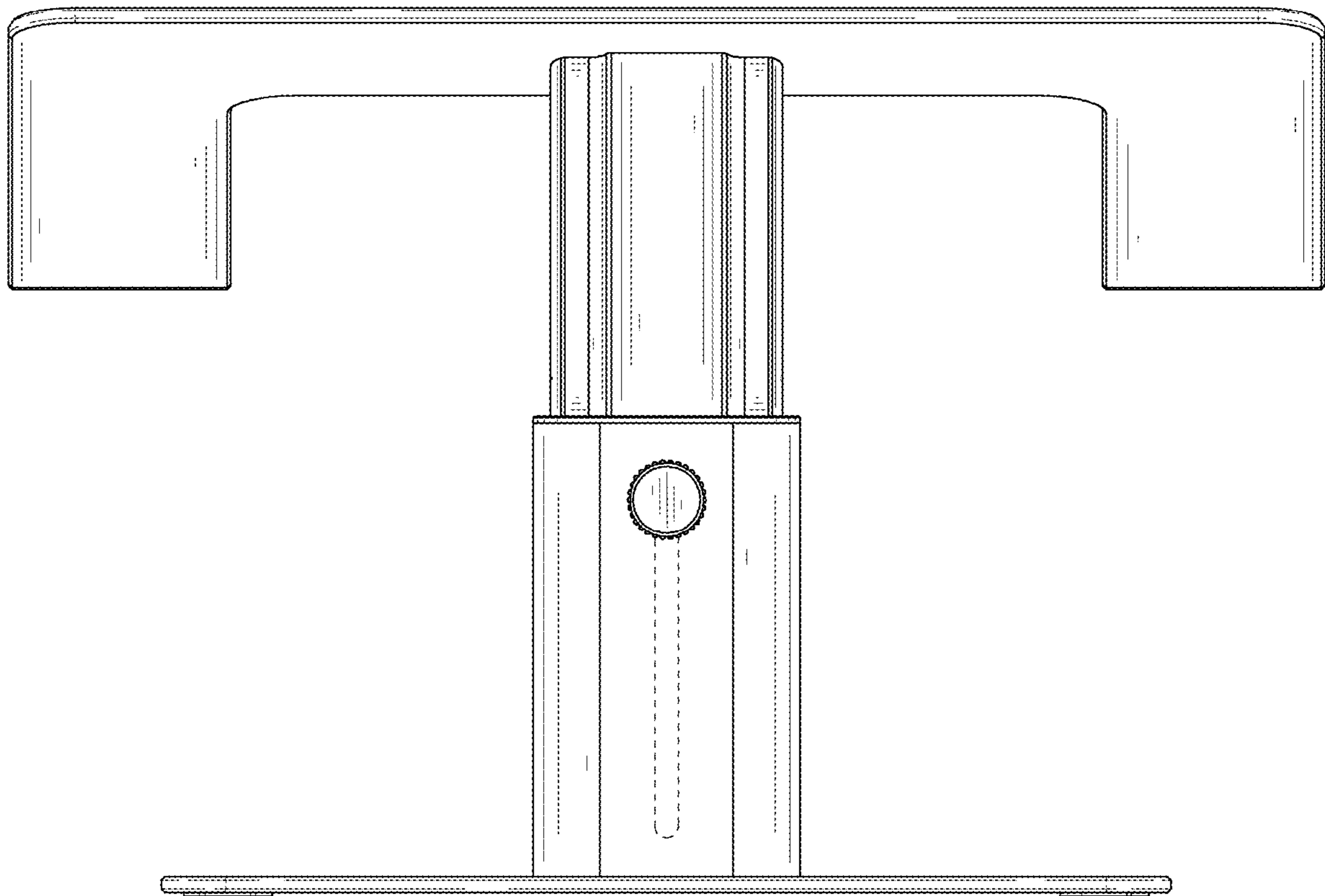


FIG. 4



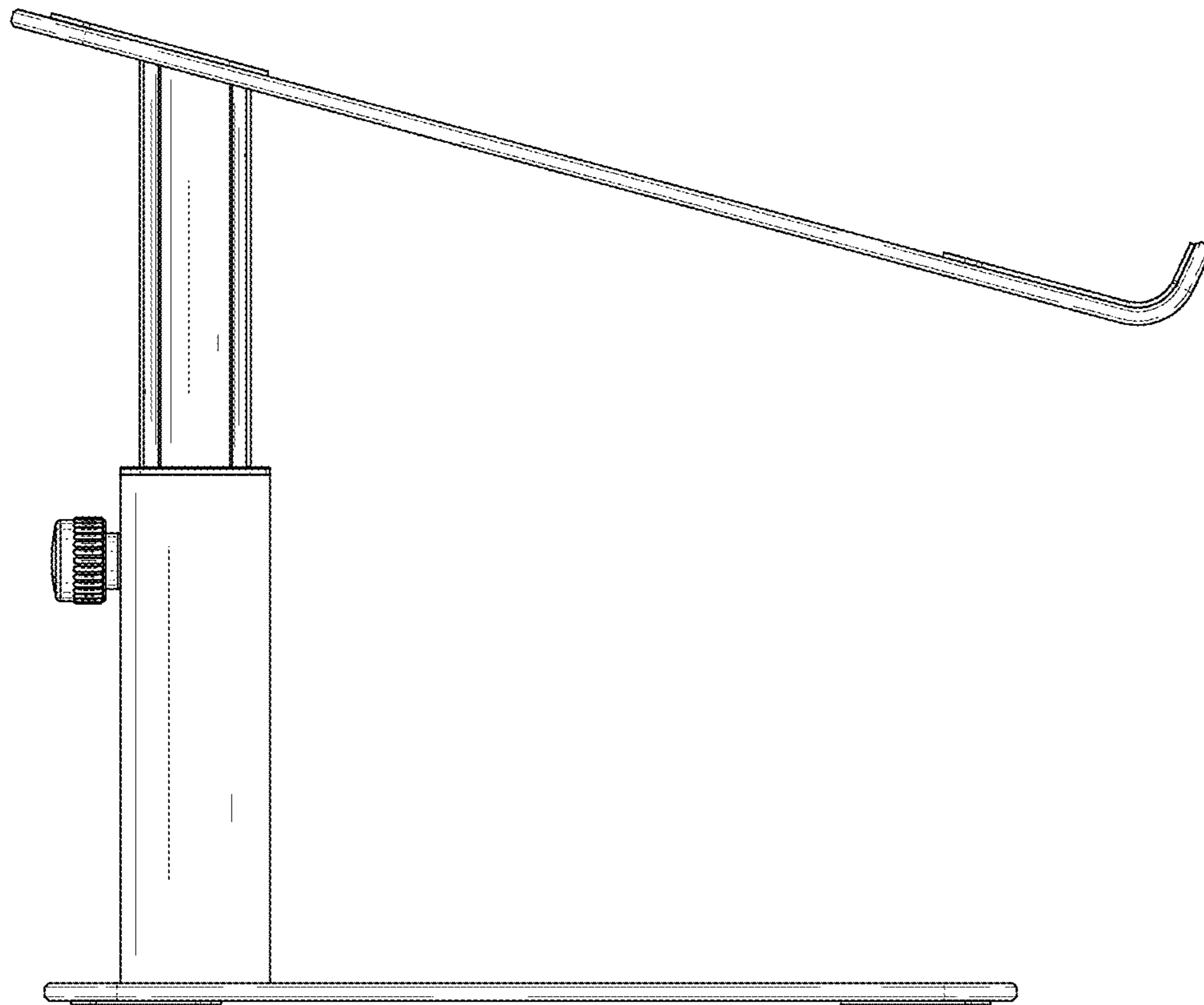


FIG. 5

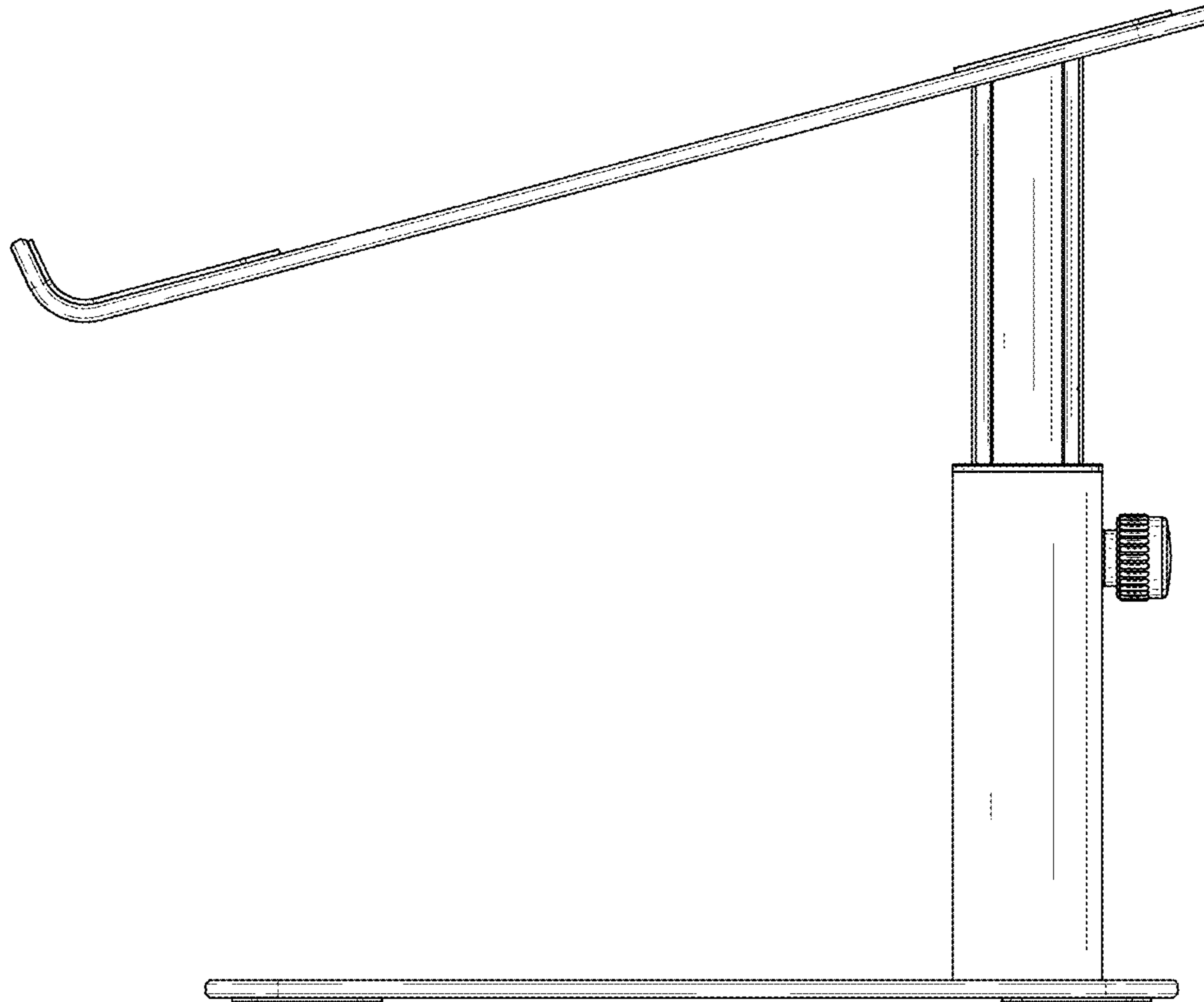


FIG. 6

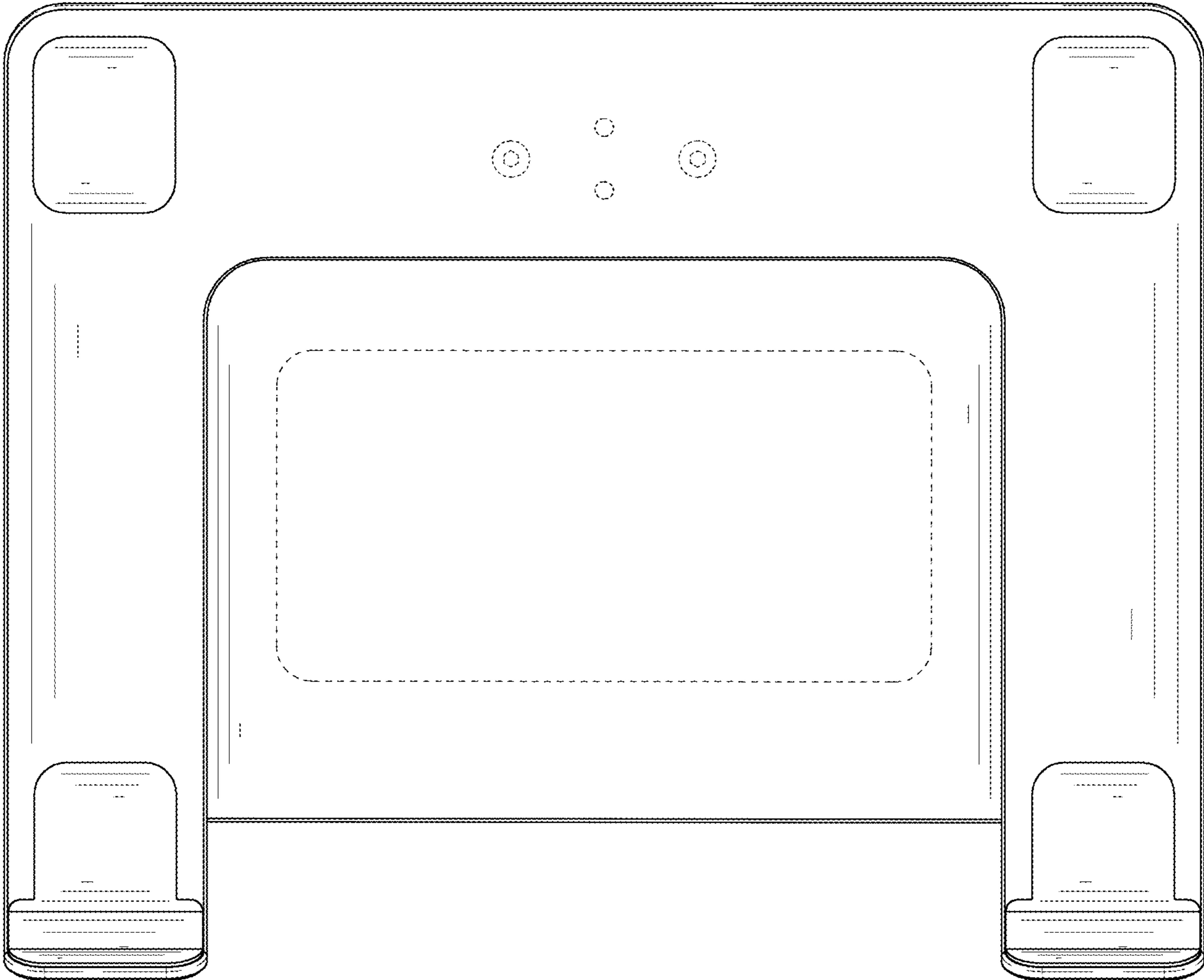


FIG. 7



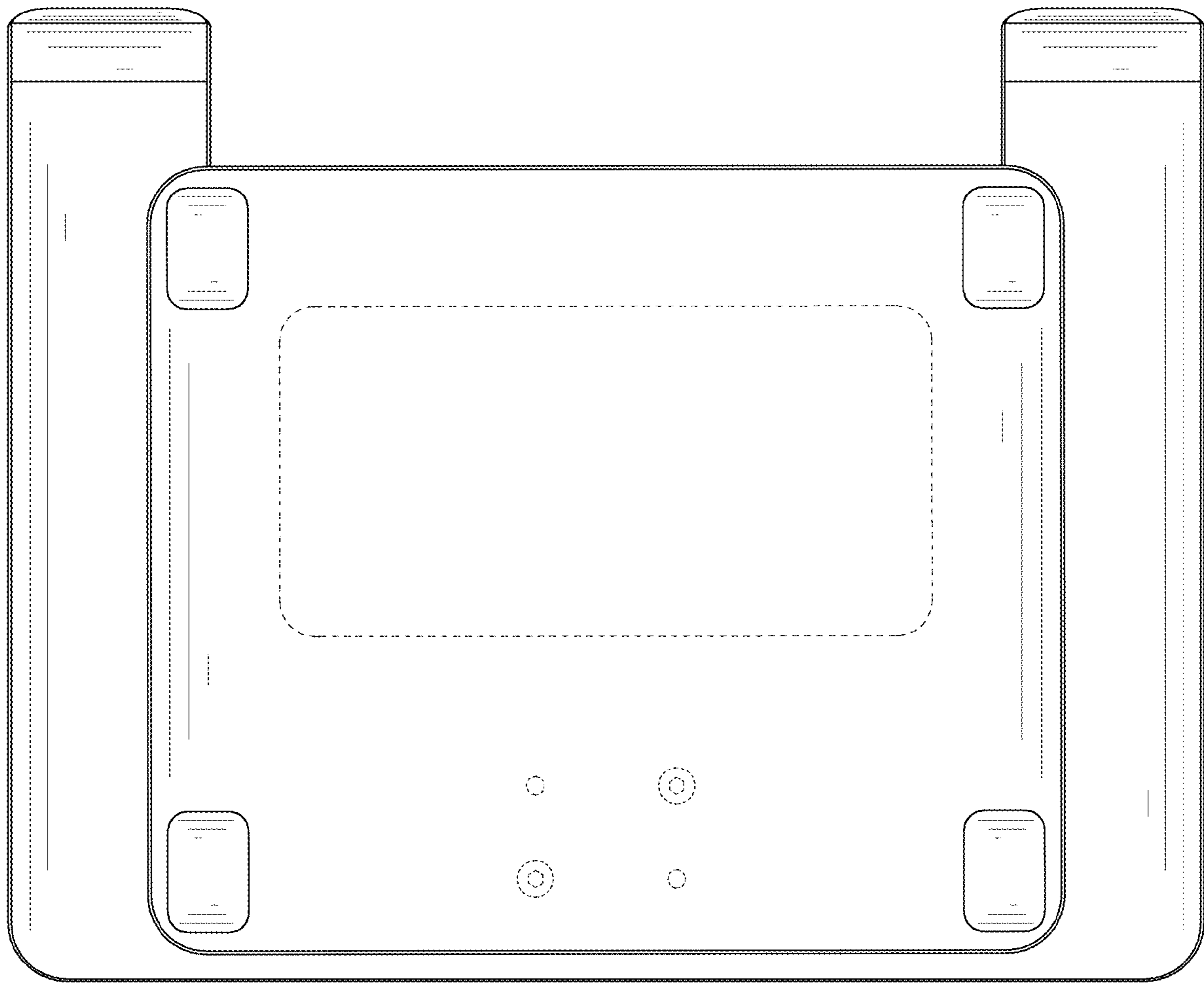


FIG. 8