



US00D955397S

(12) **United States Design Patent**
Huang

(10) **Patent No.:** **US D955,397 S**
(45) **Date of Patent:** **** Jun. 21, 2022**

(54) **LAPTOP STAND**
(71) Applicant: **Daping Huang**, Henan (CN)
(72) Inventor: **Daping Huang**, Henan (CN)
(**) Term: **15 Years**

D923,632 S * 6/2021 Li D14/447
D936,662 S * 11/2021 Gao D14/447
D938,433 S * 12/2021 Huang D14/447
D940,725 S * 1/2022 Jia D14/447
D942,463 S * 2/2022 Li D14/447
D943,597 S * 2/2022 Feng D14/447
D944,807 S * 3/2022 Luo D14/447
D944,809 S * 3/2022 Wang D14/447

(21) Appl. No.: **29/747,785**

OTHER PUBLICATIONS

(22) Filed: **Aug. 25, 2020**

https://www.amazon.com/NaCot-Aluminum-Adjustable-Portable-Compatible/dp/B08SBLMVZM/ref=sr_1_163?crd=17QNRE1B9J60&keywords=laptop%2Bstand&qid=1646078694&sprefix=laptop%2Bstand%2Caps%2C96&sr=8-163&th=1, Mar. 1, 2021 (Year: 2021).*

(30) **Foreign Application Priority Data**

Aug. 11, 2020 (CN) 202030453312.4

* cited by examiner

(51) **LOC (13) Cl.** **14-02**

Primary Examiner — Angela J Lee

(52) **U.S. Cl.**
USPC **D14/447**

(74) *Attorney, Agent, or Firm* — ScienBiziP, P.C.

(58) **Field of Classification Search**
USPC D14/447, 432, 434, 439, 440, 451, 452,
D14/457, 239, 253, 250; D8/363, 373,
D8/380; D6/406.3, 406.4, 406.5, 406.6;
D12/415; D21/333, 332
CPC A47B 21/04; A47B 2097/006; A47B
2097/005; A47B 2023/049; A45C
2011/002; A45C 2011/003; F16M
2200/00; F16M 13/00
See application file for complete search history.

(57) **CLAIM**

The ornamental design for a laptop stand, as shown and described.

DESCRIPTION

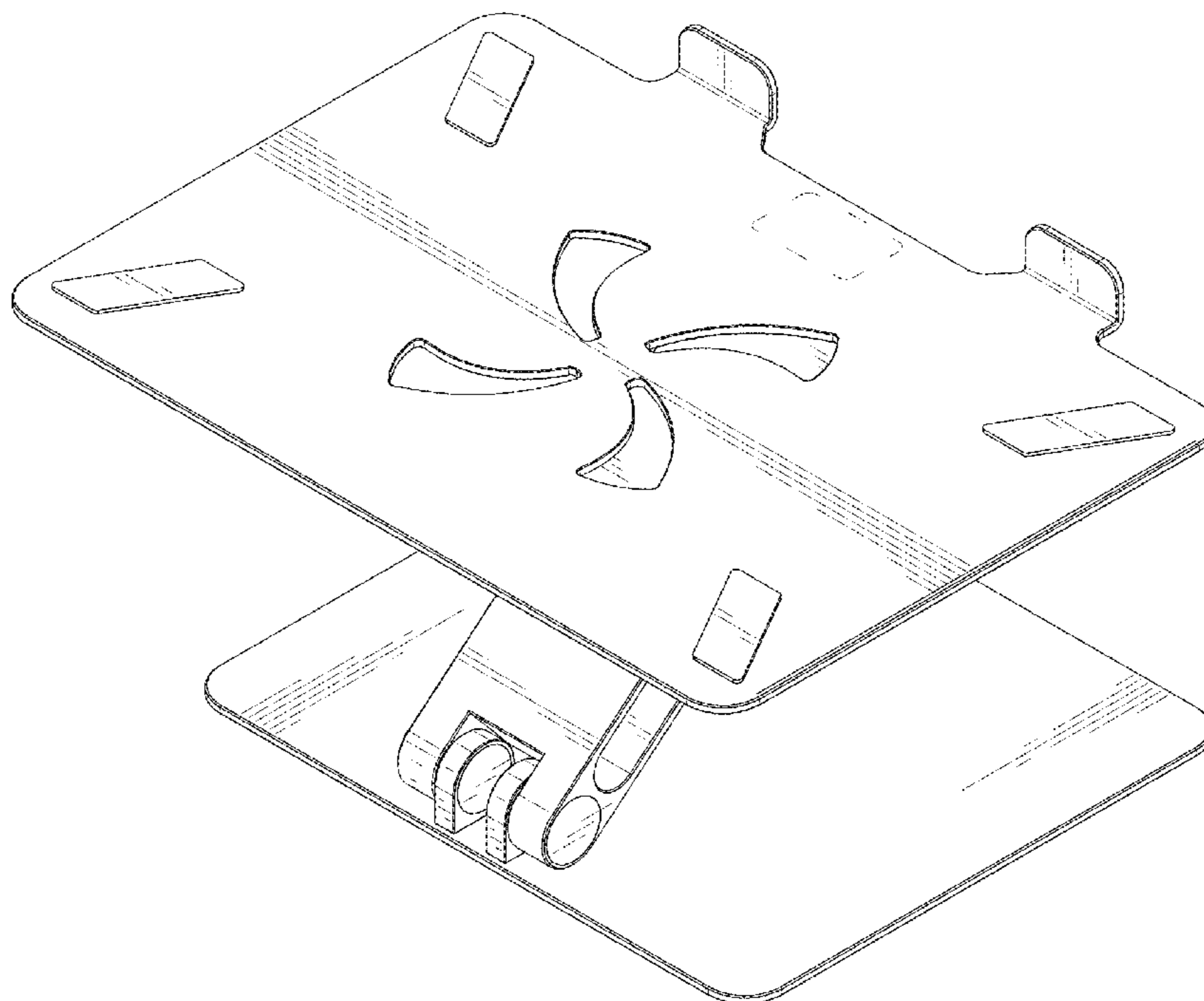
FIG. 1 is a front perspective view of a laptop stand, showing my design.
FIG. 2 is a front elevation view thereof.
FIG. 3 is a rear elevation view thereof.
FIG. 4 is a left side elevation view thereof.
FIG. 5 is a right side elevation view thereof.
FIG. 6 is a top plan view thereof; and,
FIG. 7 is a bottom plan view thereof.
The broken lines in the drawings depict environmental structure and boundaries and form no part of the claimed design.

(56) **References Cited**

U.S. PATENT DOCUMENTS

D589,964 S * 4/2009 Heggland D14/434
D903,689 S * 12/2020 Zheng D14/447
D907,644 S * 1/2021 Li D14/447
D921,643 S * 6/2021 Jin D14/447
D923,631 S * 6/2021 Chen D14/447

1 Claim, 7 Drawing Sheets



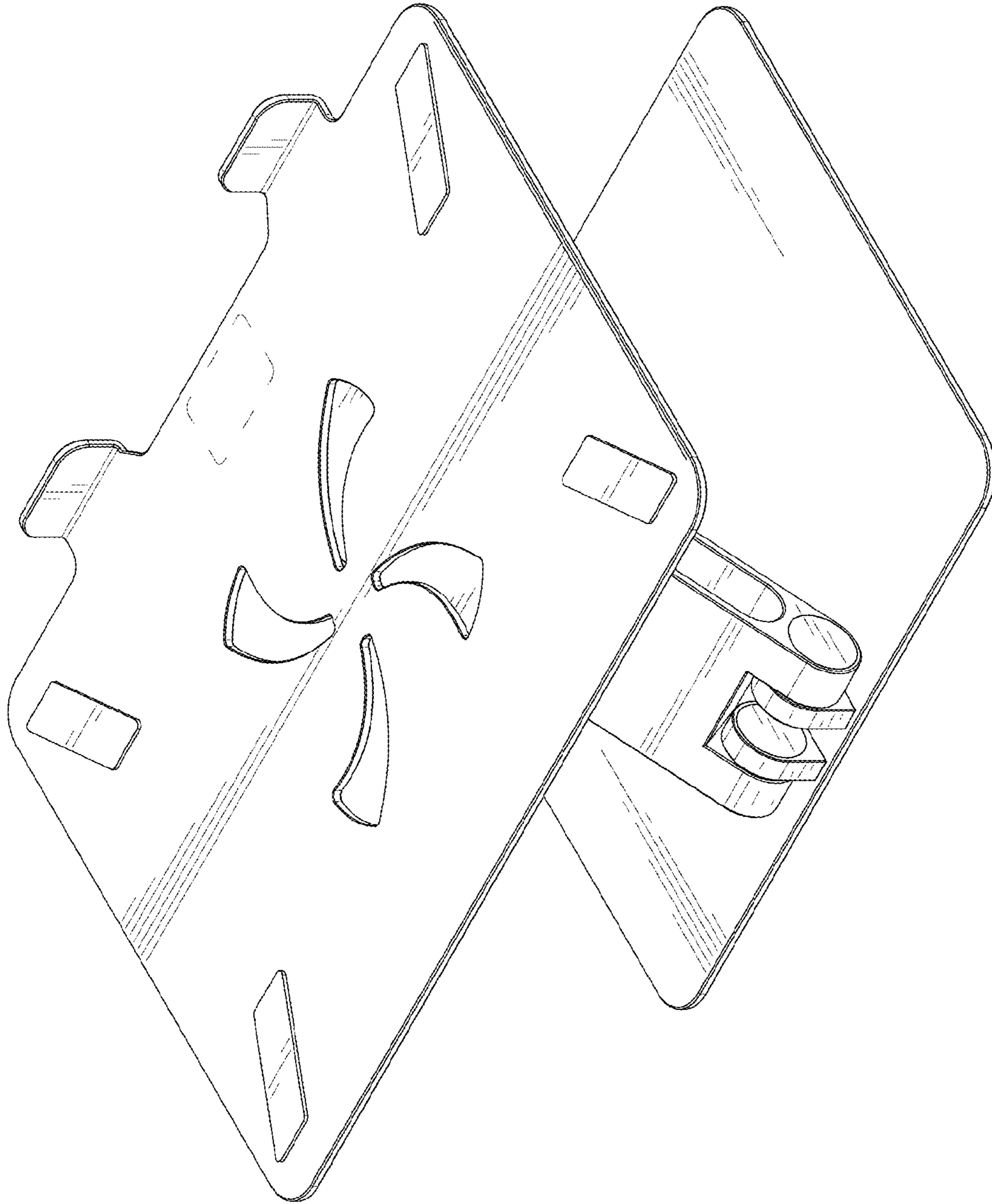


FIG.1

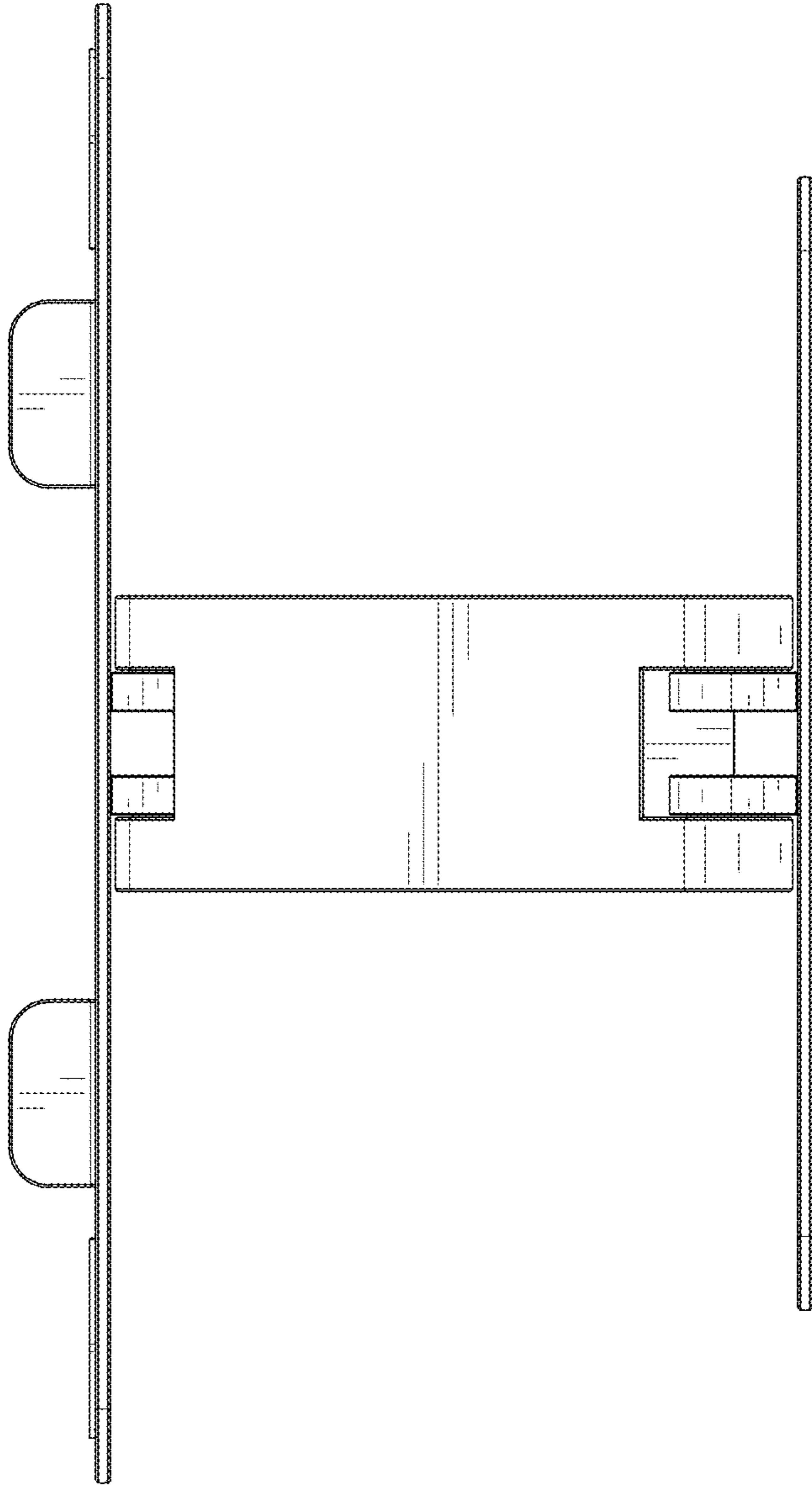


FIG. 2

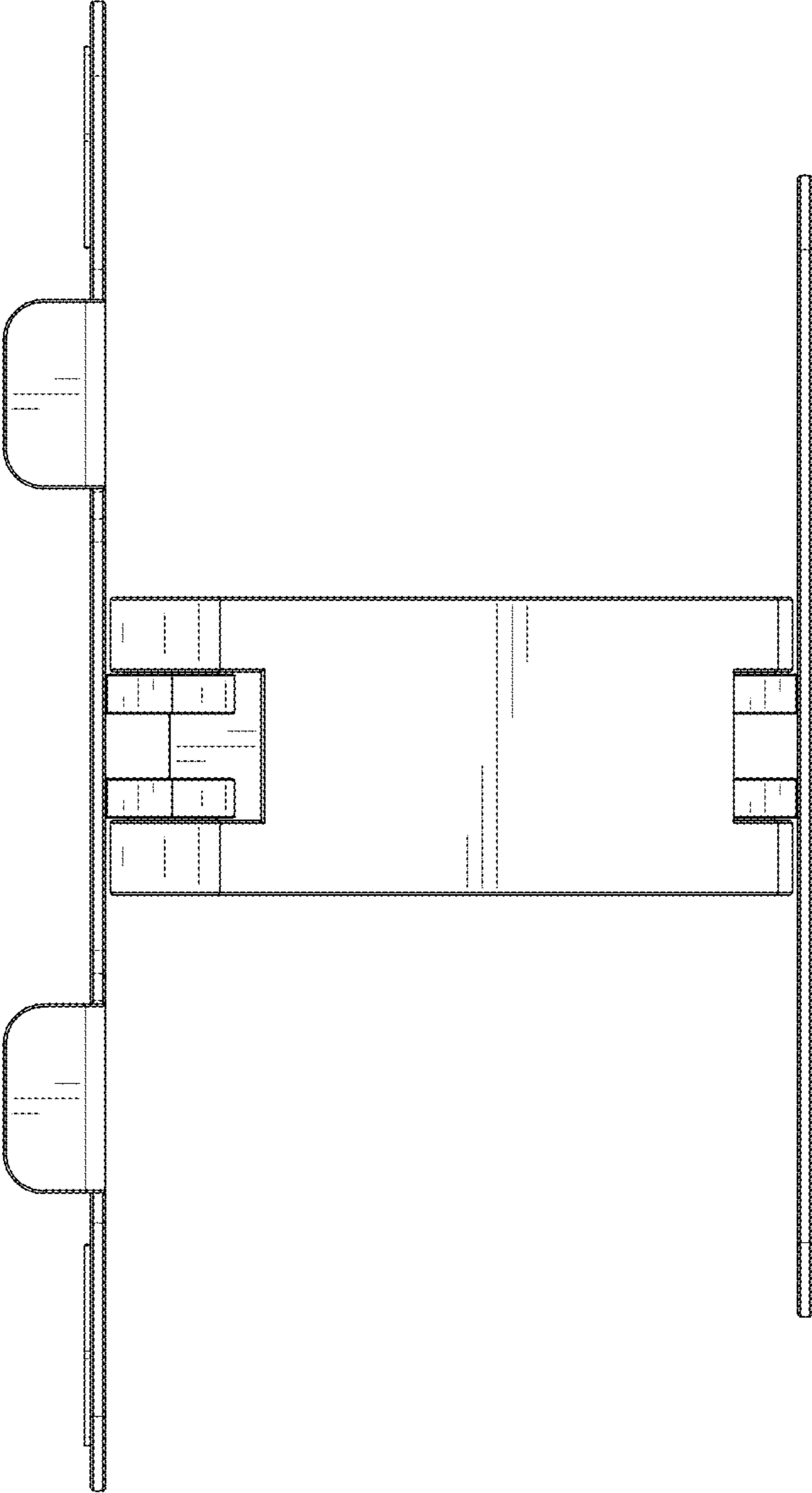


FIG. 3

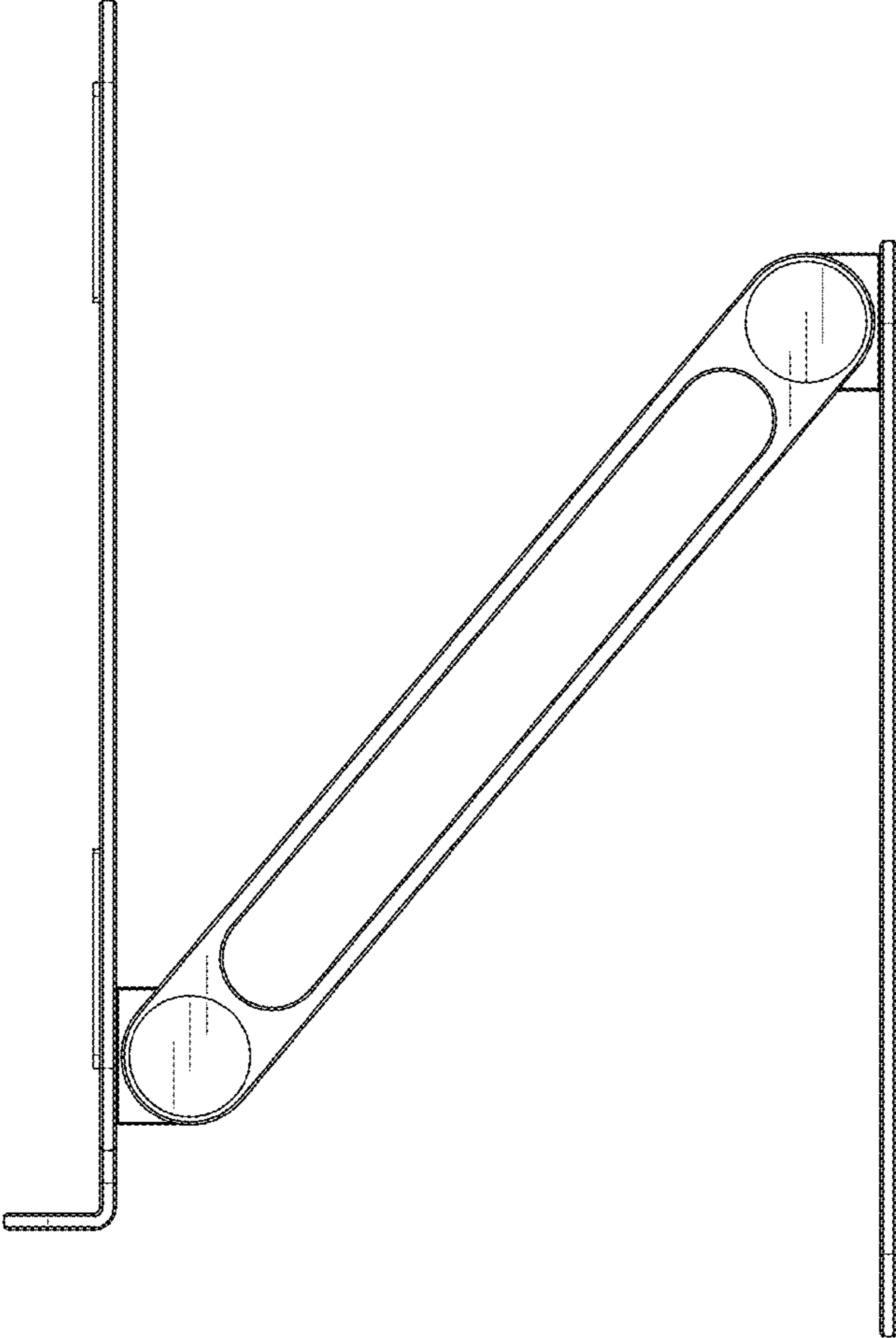


FIG.4

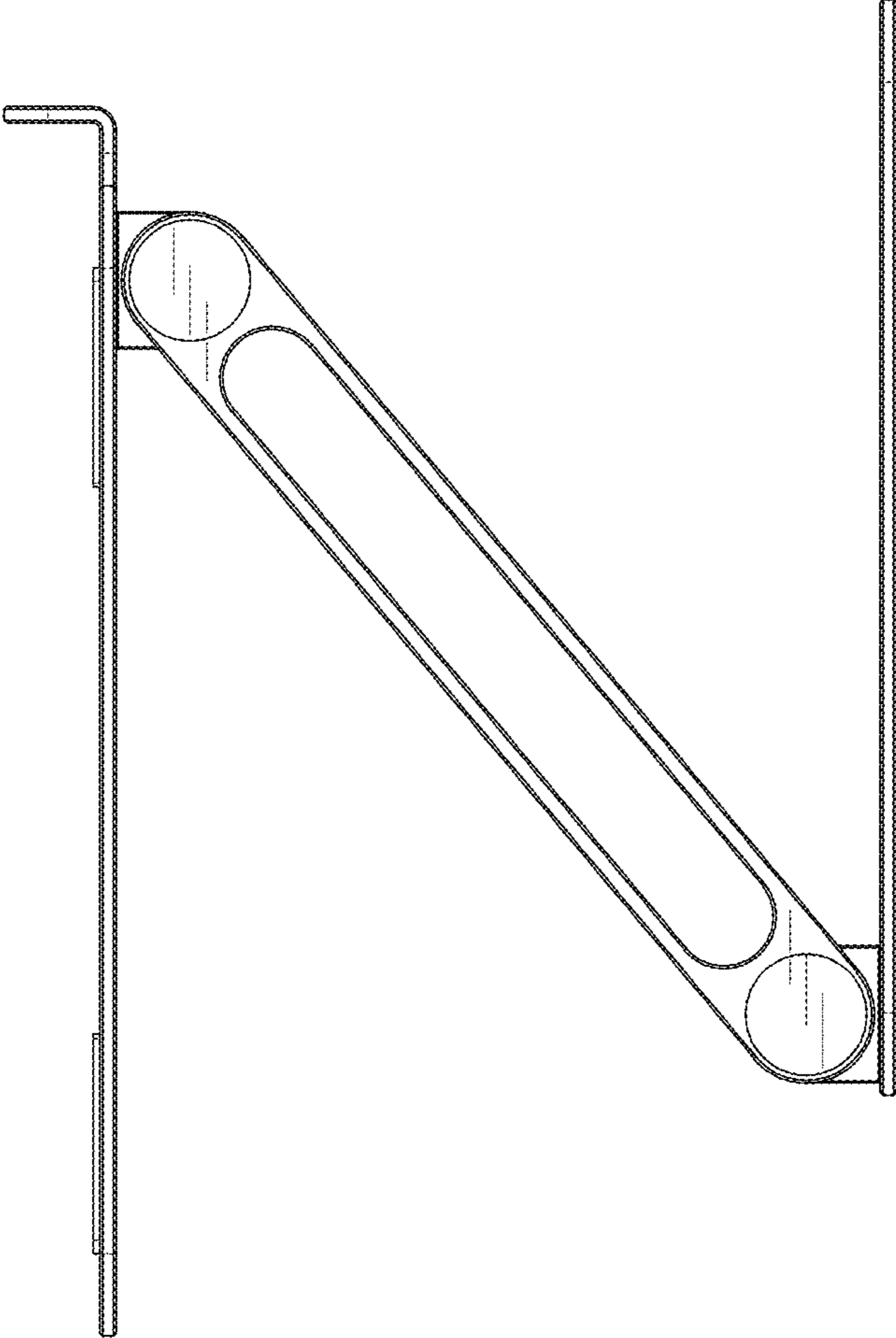


FIG. 5

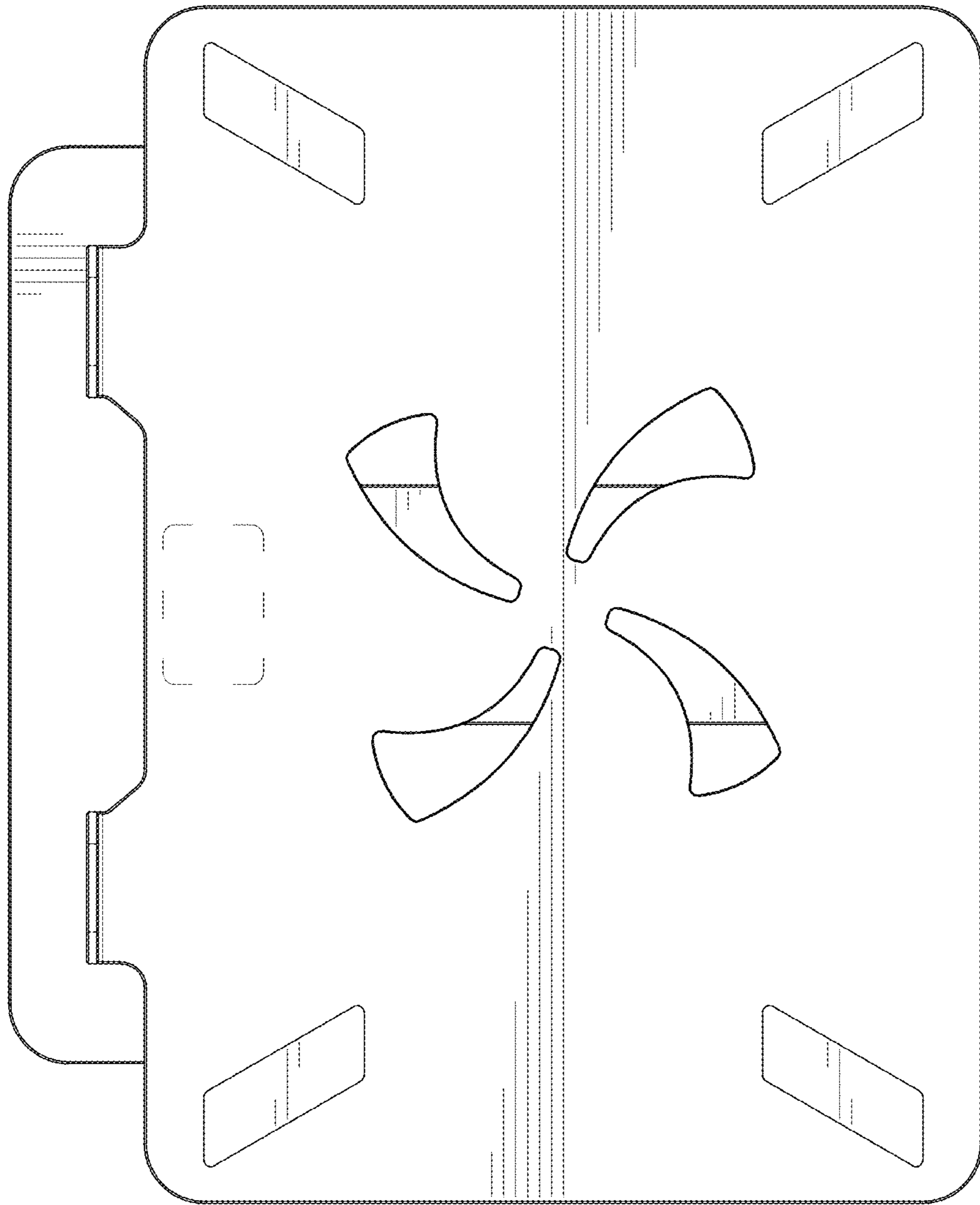


FIG.6

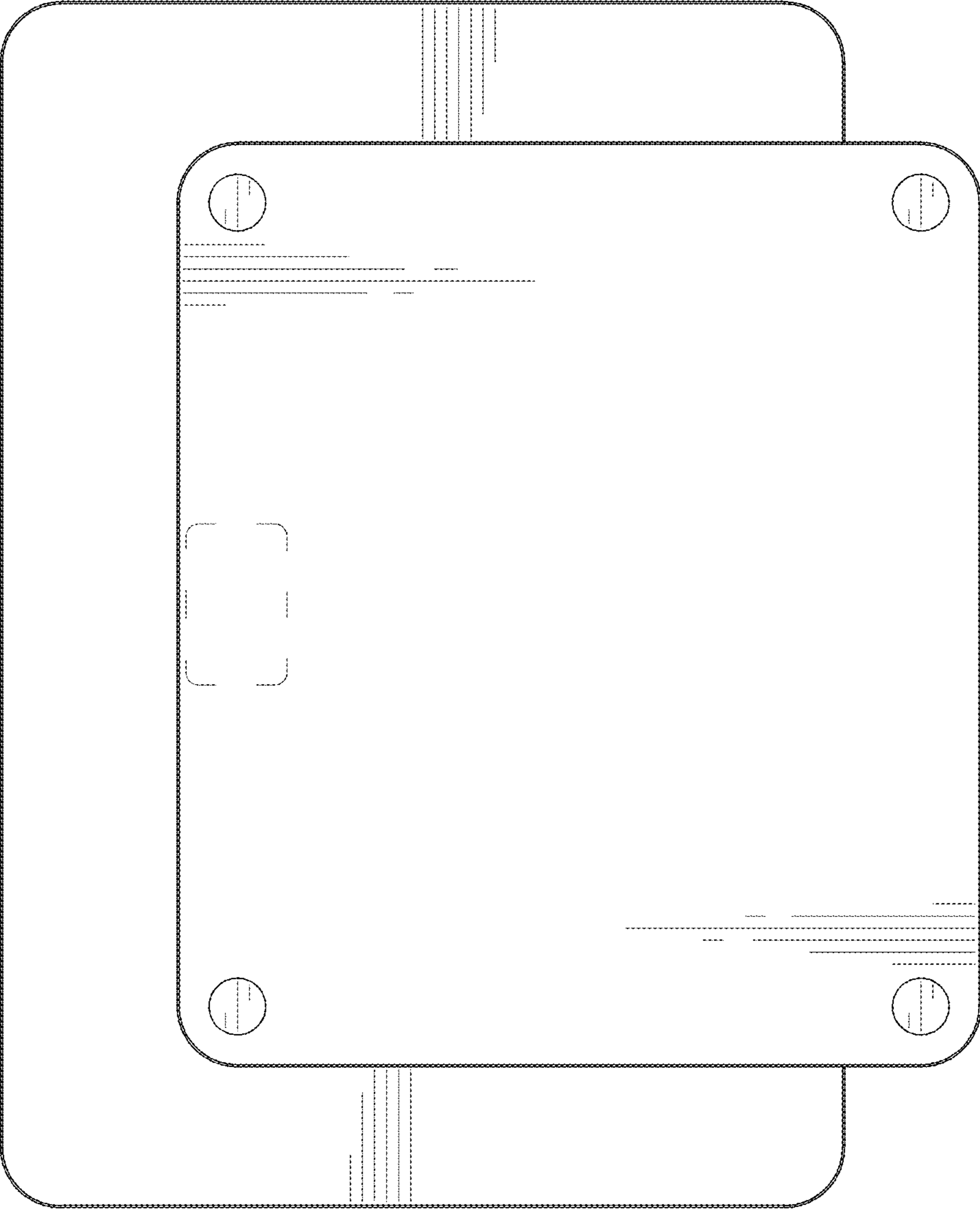


FIG. 7