



US00D955390S

(12) **United States Design Patent**
Zhang et al.

(10) **Patent No.:** **US D955,390 S**
(45) **Date of Patent:** **** Jun. 21, 2022**

(54) **RFID HANDHELD SCANNER**

(71) Applicant: **Intermec IP Corporation**, Everett, WA (US)

(72) Inventors: **Yinlei Zhang**, Suzhou (CN); **Yijing Hou**, Guangdong (CN); **Jia Rui Huang**, Shanghai (CN); **Shuming Li**, Shanghai (CN); **Tiecheng Qu**, Suzhou (CN); **Zhao Xia Jin**, Shanghai (CN)

(73) Assignee: **INTERMEC IP CORPORATION**, Everett, WA (US)

(**) Term: **15 Years**

(21) Appl. No.: **29/734,213**

(22) Filed: **May 11, 2020**

(30) **Foreign Application Priority Data**

Nov. 11, 2019 (CN) 201930618259.6

(51) **LOC (13) Cl.** **14-02**

(52) **U.S. Cl.**
USPC **D14/428**

(58) **Field of Classification Search**

USPC D14/420, 426-430, 453, 346, 341, 347, D14/412, 138 R, 138 AA, 138 C; D13/107, 184; 358/473; 235/462.43, 235/462.45, 462.47, 462.48, 462.44, 235/462.46, 487, 472.01, 472.02, 145 A, 235/145 R, 385, 440, 383, 454, 462.01; D10/78, 46, 70, 75, 80; 324/426; D3/273; 710/73; D18/7; 361/679, 728, 361/679.56, 679.55, 679.59; 382/313, 382/321; 455/575.1, 561, 572, 557, 349, 455/556.1, 556.2, 90.3; 345/156, 168, 345/169, 172, 173, 87; 705/17, 18, 705/22-25; 343/872, 846, 700 MS
CPC G06F 1/626; G06F 1/1626; G06F 1/1656; G06F 1/1632; G06F 1/1684; G06F 1/1635; G06F 8/63; G06F 17/30091;

G06F 9/4401; G06K 7/10881; G06K 7/1098; G06K 7/10722; G06K 7/1404; G06K 7/0004; G06K 7/10633; G06K 7/10851; G06K 7/1091; G06K 7/1092; G06K 7/1093; G06K 7/10; G06K 7/109; G06K 7/1417; G06K 7/10386; G06K 7/10079; G06K 7/10891; G06K 7/1097; G06K 7/10366; G06K

(Continued)

(56) **References Cited**

U.S. PATENT DOCUMENTS

D289,291 S * 4/1987 Kapper D14/389
D311,393 S * 10/1990 Weaver D14/420

(Continued)

OTHER PUBLICATIONS

English Summary Translation of Office Action received for CN Application No. 201930618259.6, dated Mar. 11, 2020, 1 pages.

(Continued)

Primary Examiner — Susan Moon Lee

(74) *Attorney, Agent, or Firm* — Alston & Bird LLP

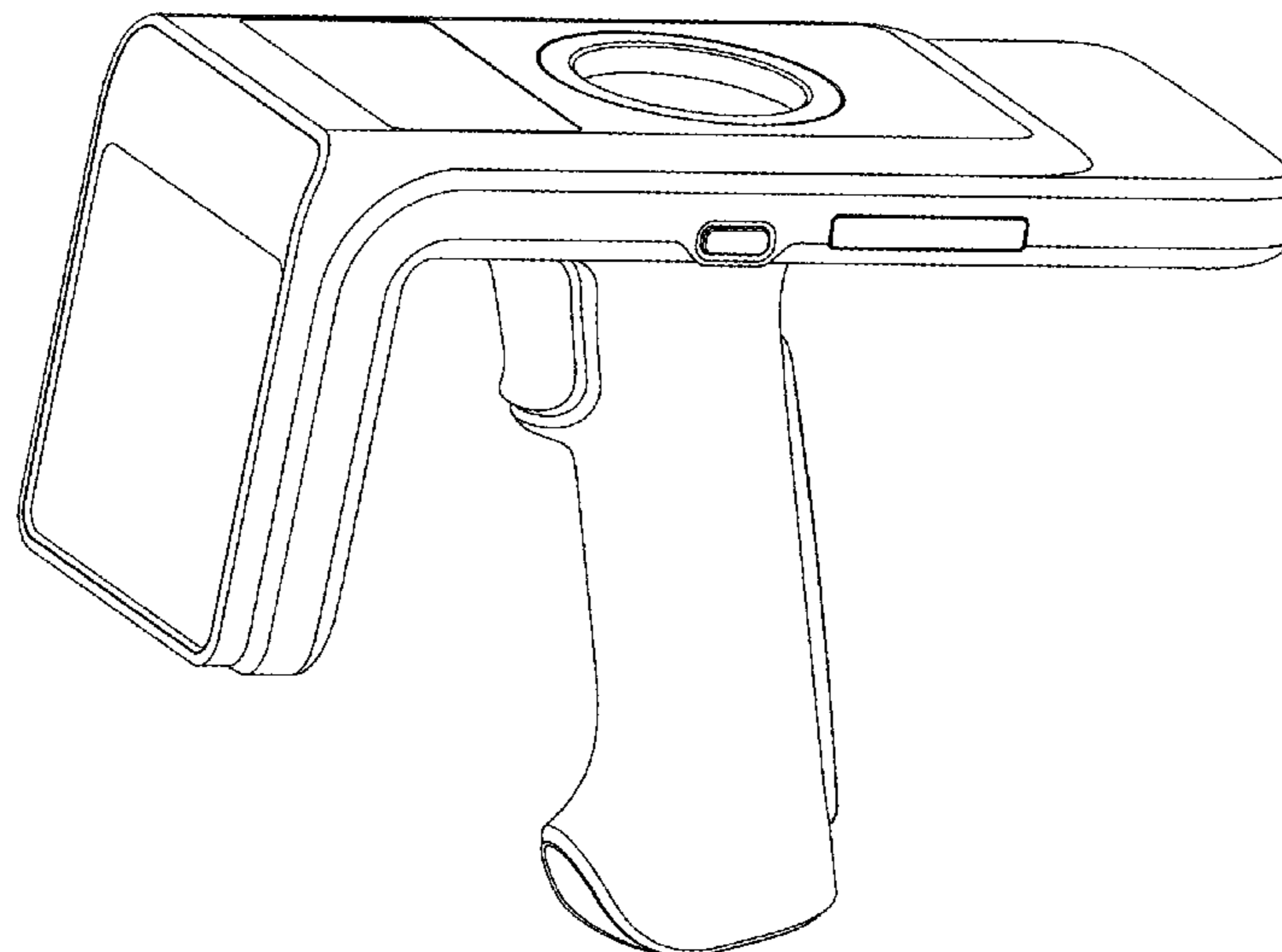
(57) **CLAIM**

The ornamental design for an RFID handheld scanner, as shown in the accompanying drawings and described above.

DESCRIPTION

FIG. 1 is a first perspective view of an RFID handheld scanner showing a new design;
FIG. 2 is another perspective view thereof;
FIG. 3 is a front elevation view thereof;
FIG. 4 is a rear elevation view thereof;
FIG. 5 is a right elevation view thereof;
FIG. 6 is a left elevation view thereof;
FIG. 7 is a top plan view thereof; and,
FIG. 8 is a bottom plan view thereof.

1 Claim, 8 Drawing Sheets



(58) **Field of Classification Search**

CPC 7/10425; G06K 7/10376; G06K 7/10396;
 G06K 7/015; G06K 7/10316; G06K
 9/228; G06K 17/0022; G06K 17/00;
 G06K 2207/1011; G06K 2207/1013;
 G06K 2207/1016; G06K 2207/1018;
 G06K 2017/0051; G06K 2017/0067;
 G06K 2007/10524; G06K 2007/10534;
 G06K 2007/10544; G06K 19/0723; G06K
 7/1095; G06K 7/089; G06K 7/10821;
 G07G 1/0081; G07G 1/009; G06Q 20/20;
 G06Q 20/201; G06Q 20/202; G06Q
 20/203; G06Q 20/30; G06Q 20/32; G06Q
 20/322; G06Q 20/4014; G06Q 10/087;
 H04N 1/00127; H04N 1/00135; H04N
 1/00326; H04N 1/00334; H04N 1/00307;
 H04N 1/107; H04N 2201/0084; H04N
 2101/00; H04M 1/0249; H04M 1/0262;
 H04M 1/0266; H04M 1/18; H04M 1/23;
 H04M 1/236; H04B 1/3827; H04B
 1/3833; H04B 1/3877; H04B 1/3883;
 H04B 1/3888; H04B 2001/3894; H01M
 2/1066; H01Q 1/42; H01Q 1/2216; H01Q
 1/20; H01Q 1/22; H01Q 1/2208; H01Q
 1/2258; H01Q 1/241; H01Q 1/242; H01Q
 1/244; H01Q 1/27; H01Q 1/273; H01Q
 9/16; H01Q 9/285; H01Q 19/28; Y10T
 29/49016

See application file for complete search history.

(56) **References Cited**

U.S. PATENT DOCUMENTS

5,546,471 A * 8/1996 Merjanian G07C 9/37
 382/126
 D512,427 S * 12/2005 Choi D14/428
 D518,482 S * 4/2006 Hodges D14/426
 7,161,470 B2 * 1/2007 Berquist G06K 17/00
 340/10.5
 D539,294 S * 3/2007 Croley D14/453
 D540,333 S * 4/2007 Croley D14/453
 D544,485 S * 6/2007 Chen D14/428
 D558,768 S * 1/2008 Jenkins D14/428
 D583,822 S * 12/2008 Matsumoto D14/453
 D613,296 S * 4/2010 Hattori D14/453
 D692,004 S * 10/2013 Man D14/428
 D719,955 S * 12/2014 Hsu D14/428

9,444,145 B2 * 9/2016 Chan H01Q 9/285
 9,619,683 B2 * 4/2017 Zumsteg G06K 7/0004
 9,692,114 B2 * 6/2017 Zhao H01Q 1/2216
 D808,391 S * 1/2018 Schooneveldt D14/426
 10,013,590 B2 * 7/2018 Lim G06K 19/07758
 D851,653 S * 6/2019 Huang D14/428
 D883,286 S * 5/2020 Sieckowski D14/428
 D895,622 S * 9/2020 Sieckowski D14/428
 D909,384 S * 2/2021 Malik D14/428
 D917,487 S * 4/2021 Bidwell D14/428
 2009/0090780 A1 * 4/2009 Clark G08B 13/2462
 235/462.01
 2009/0289116 A1 * 11/2009 Copeland G06K 7/10346
 235/440
 2009/0295567 A1 * 12/2009 Bellows H01Q 13/16
 340/539.11
 2009/0312053 A1 * 12/2009 An G06K 7/10386
 455/556.2
 2010/0123562 A1 * 5/2010 Hiramatu G06Q 10/087
 709/219
 2010/0170952 A1 * 7/2010 Mangaroo G06K 7/10881
 235/462.45
 2012/0228384 A1 * 9/2012 Boyd G06K 7/10
 235/472.01
 2013/0154809 A1 * 6/2013 Subramanian G06K 7/0008
 340/10.6
 2013/0311314 A1 * 11/2013 Fernando G06Q 20/204
 705/17
 2015/0063795 A1 * 3/2015 Orton F16M 13/00
 396/425
 2015/0255873 A1 * 9/2015 Chan H01Q 9/285
 29/600
 2016/0034724 A1 * 2/2016 Zumsteg G06K 7/10386
 235/492
 2017/0004336 A1 * 1/2017 Lim G06K 19/07758
 2017/0069185 A1 * 3/2017 Bergman G08B 13/2465
 2018/0173911 A1 * 6/2018 Murofushi G06K 19/0772
 2018/0260592 A1 * 9/2018 Trishaun G06K 7/10316
 2019/0012493 A1 * 1/2019 Nikitin G07G 1/0081
 2019/0278958 A1 * 9/2019 Ioki G06K 7/10009
 2021/0004547 A1 * 1/2021 Hamid A01K 11/008

OTHER PUBLICATIONS

English Translation of Notice of Allowance received for CN Appli-
 cation No. 201930618259.6, dated Jun. 5, 2020, 3 pages.
 Notice of Allowance received for CN Application No. 201930618259.
 6, dated Jun. 5, 2020, 3 pages.
 Office Action received for CN Application No. 201930618259.6,
 dated Mar. 11, 2020, 2 pages.

* cited by examiner

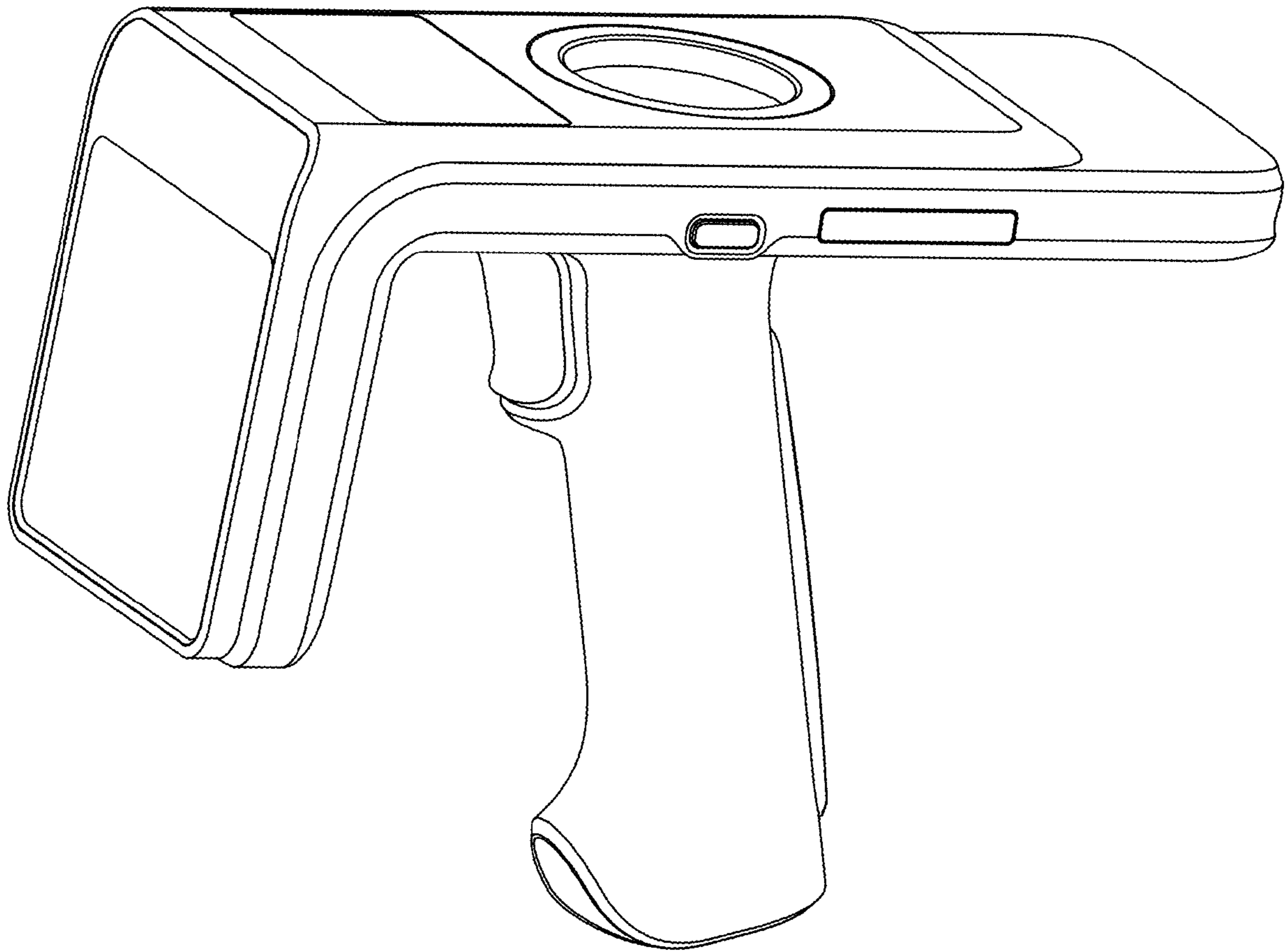


FIG. 1

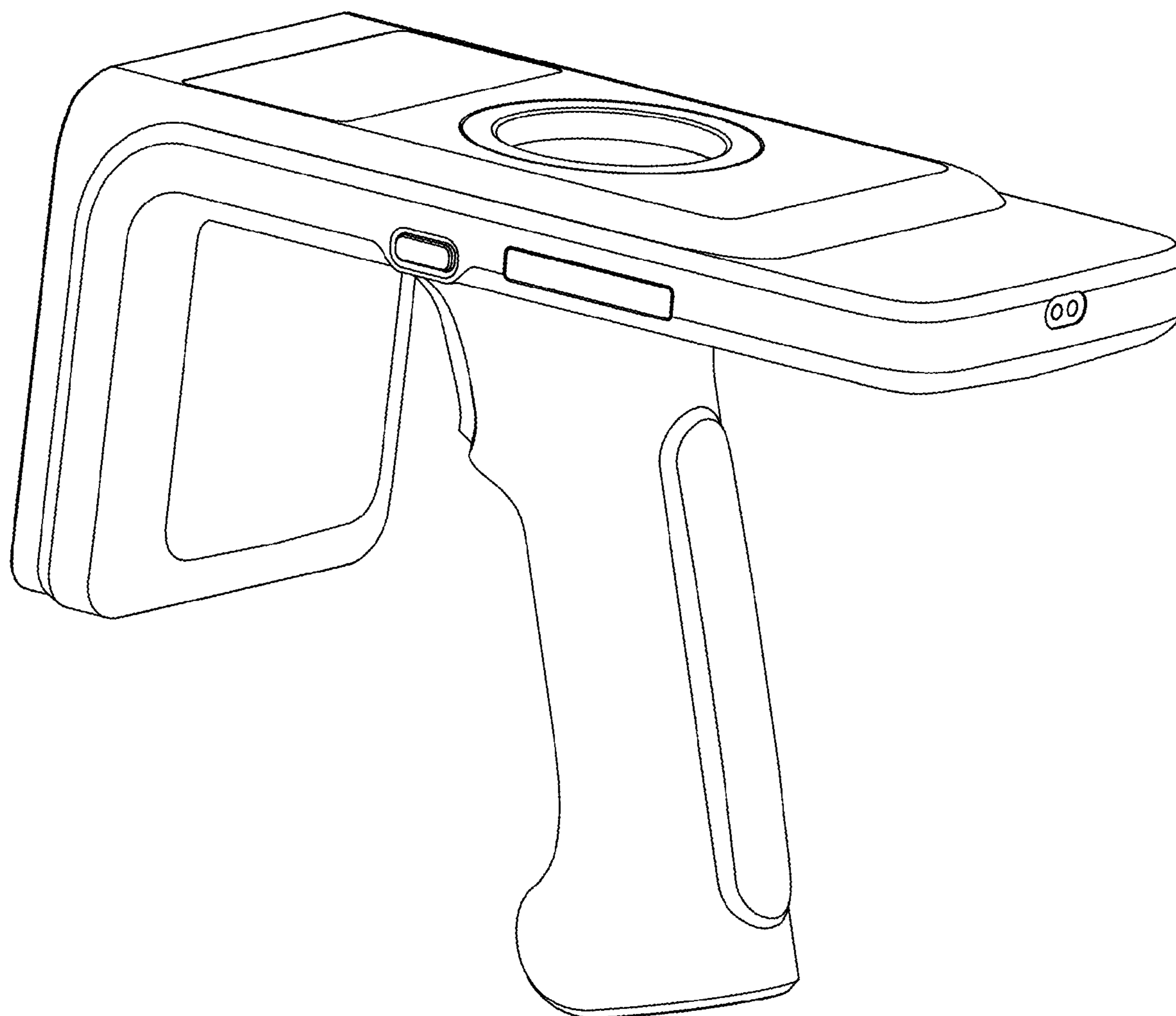


FIG. 2

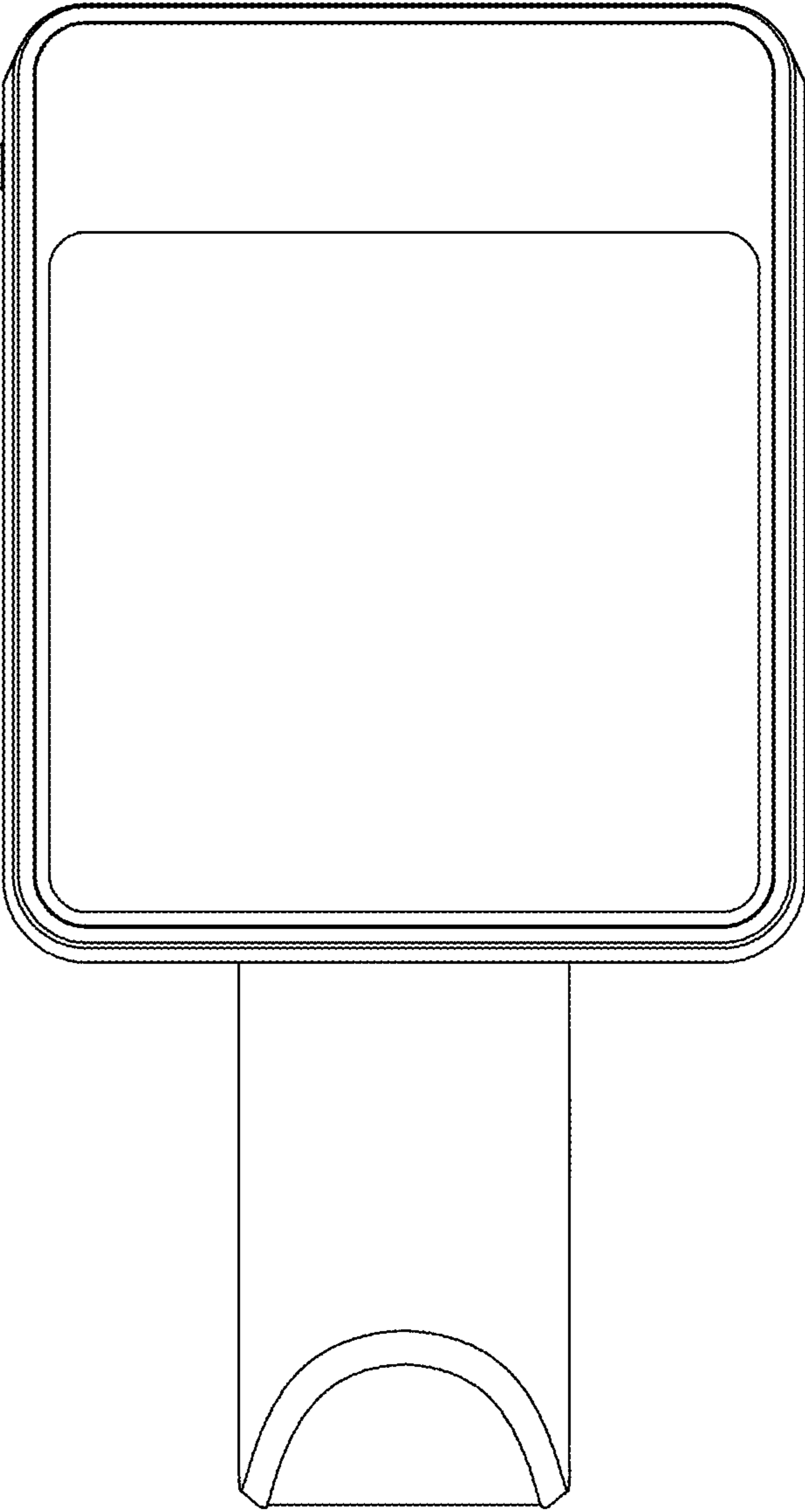


FIG. 3

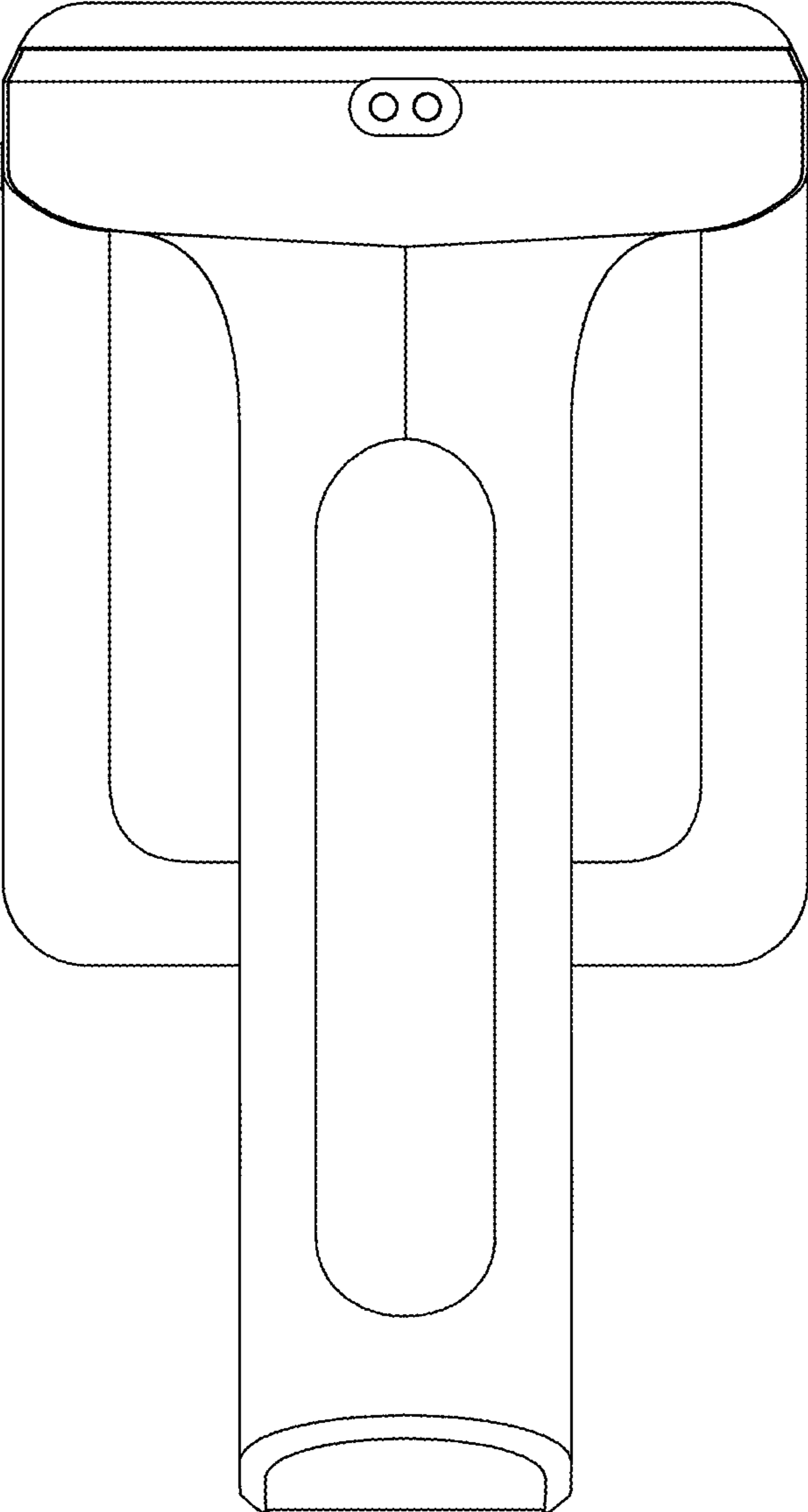


FIG. 4

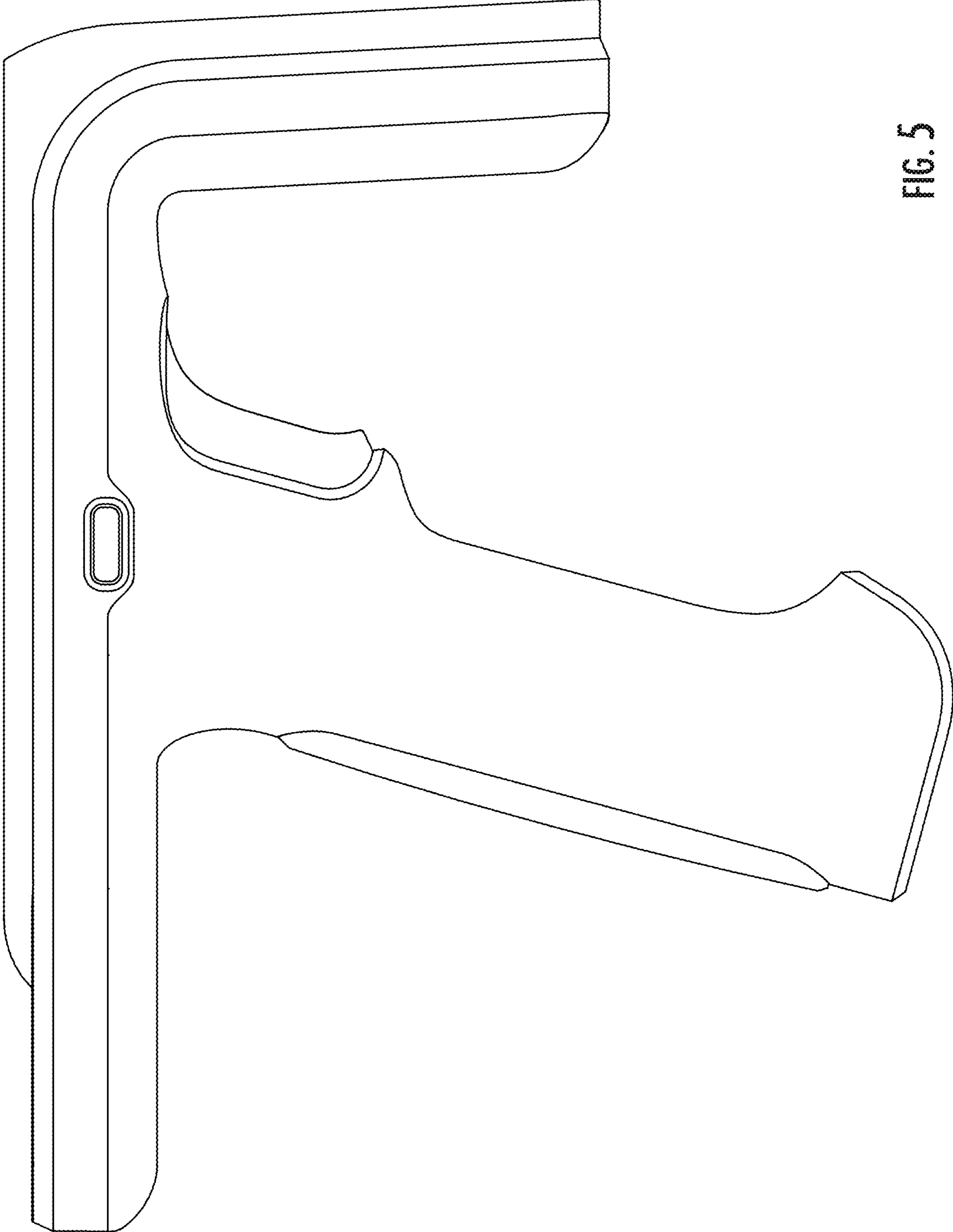


FIG. 5

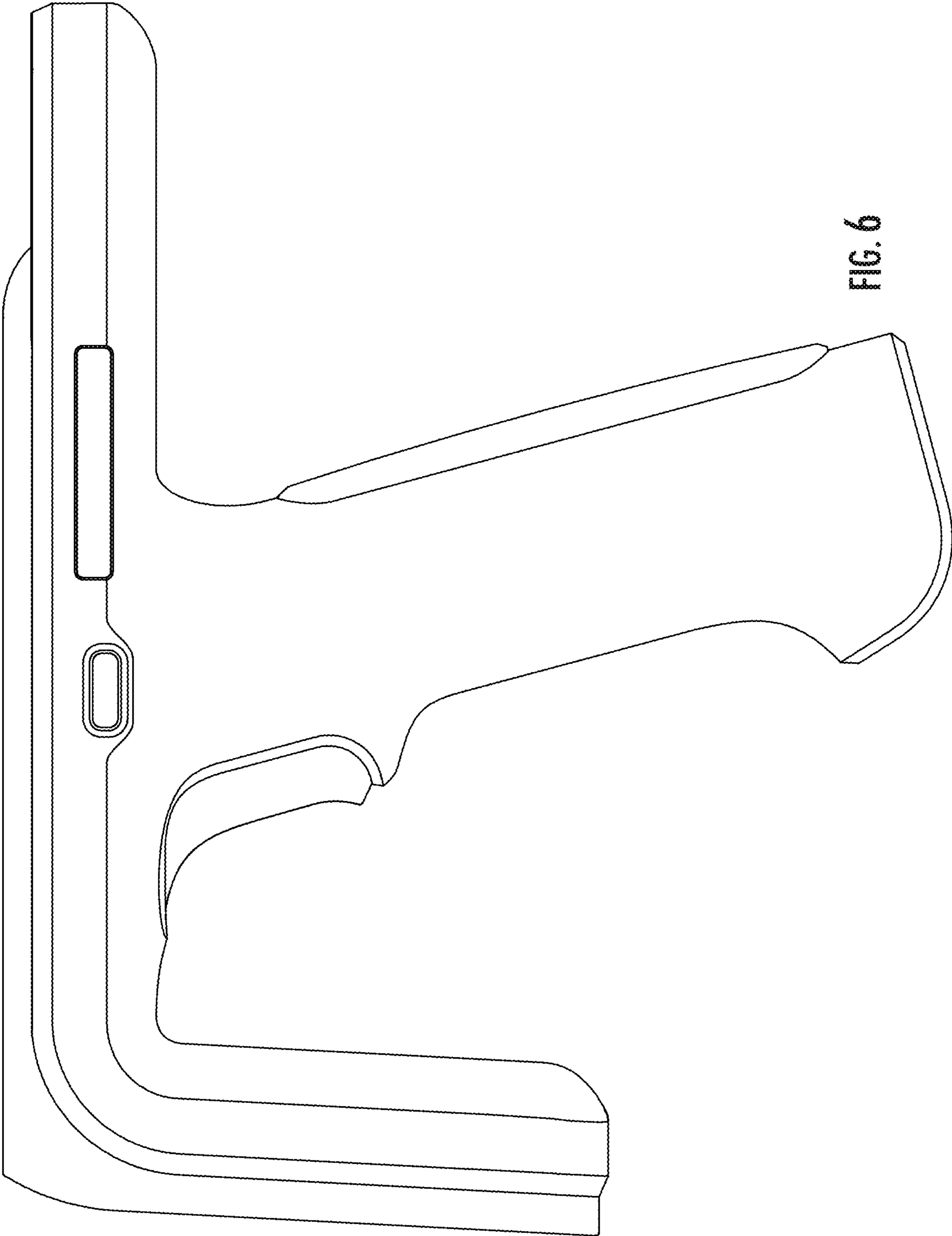


FIG. 6

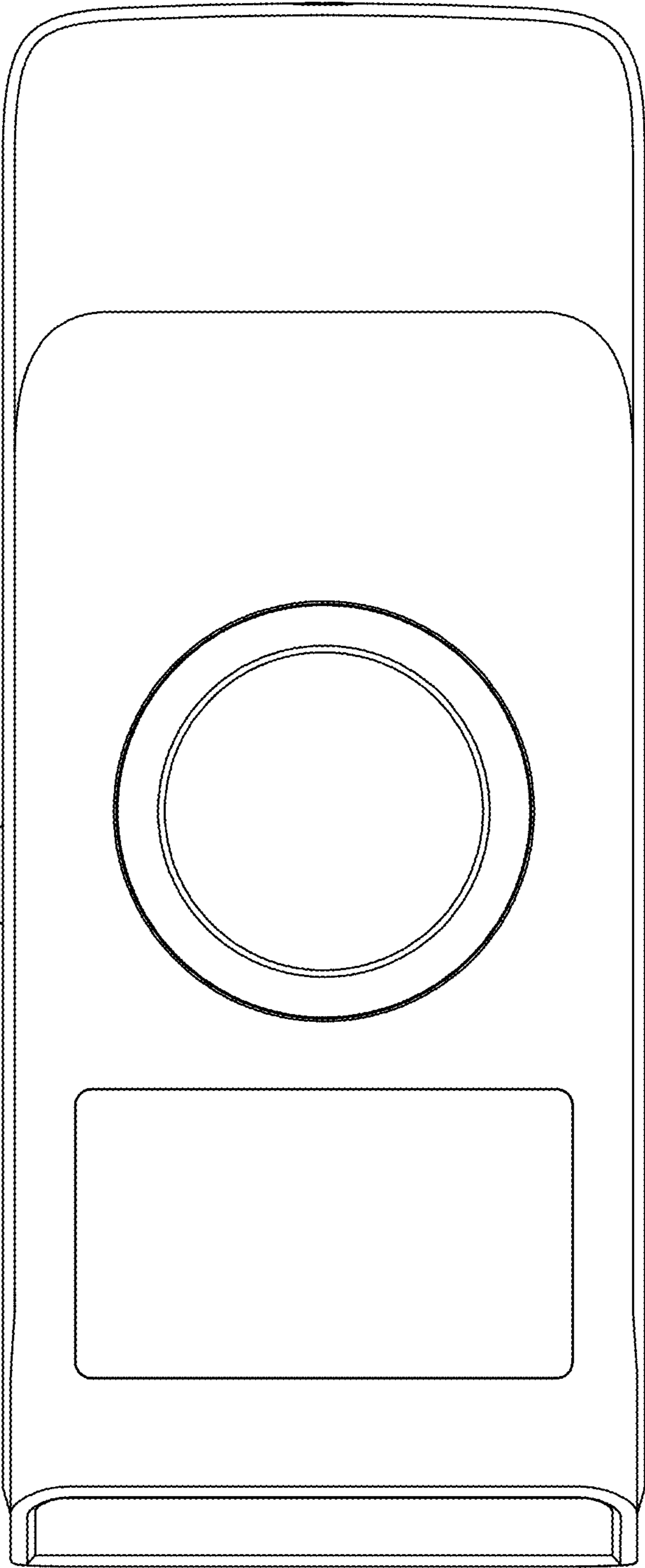


FIG. 7

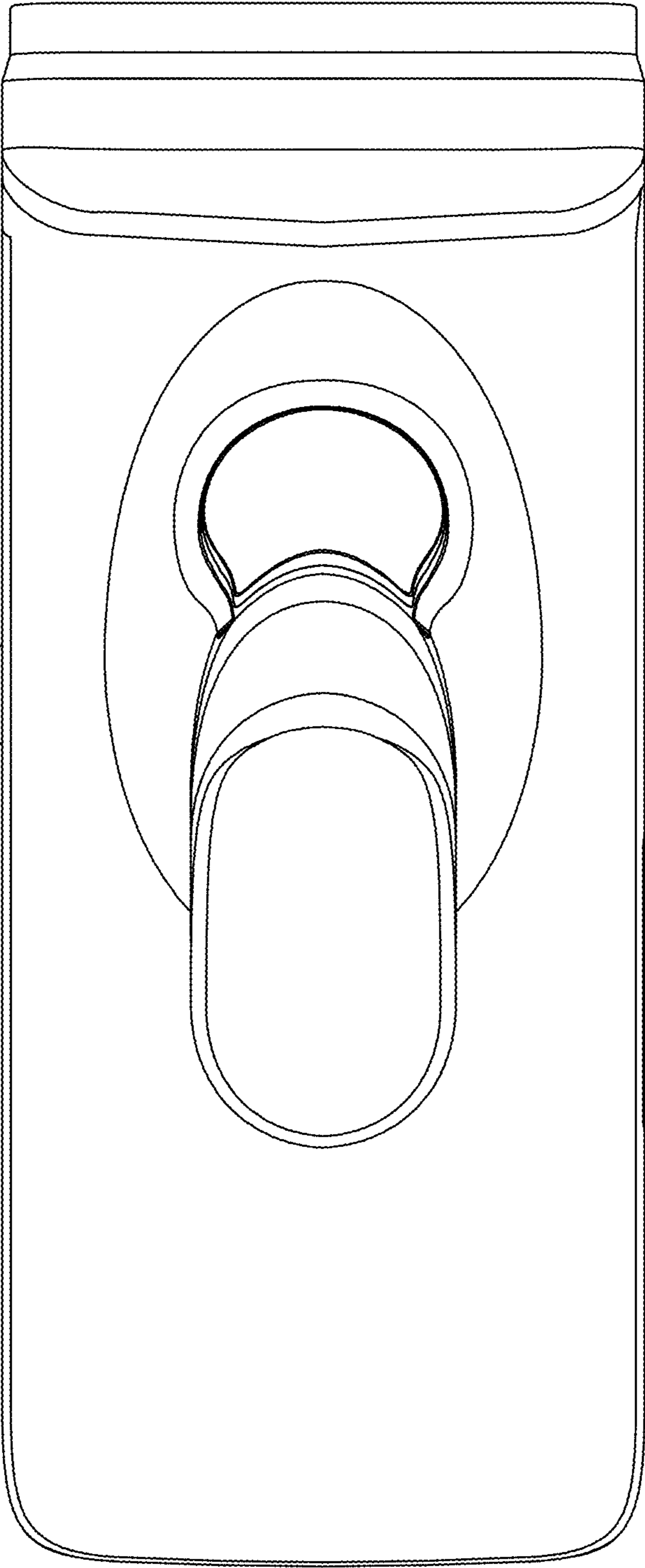


FIG. 8