



US00D955388S

(12) **United States Design Patent**
Zhou

(10) **Patent No.:** **US D955,388 S**
(45) **Date of Patent:** **** Jun. 21, 2022**

(54) **GAMEPAD SET**

(71) Applicant: **Guihua Zhou**, Shenzhen (CN)

(72) Inventor: **Guihua Zhou**, Shenzhen (CN)

(**) Term: **15 Years**

(21) Appl. No.: **29/766,799**

(22) Filed: **Jan. 19, 2021**

(51) **LOC (13) Cl.** **14-02**

(52) **U.S. Cl.**
USPC **D14/401**

(58) **Field of Classification Search**
USPC D21/324, 332-337, 566, 572-574, 328;
D14/217, 218, 356, 387, 388, 389, 400,
D14/401, 415, 418, 426-431, 443, 447,
D14/449, 450, 454, 455, 471, 474, 483,
D14/496, 511; D13/164, 168
CPC A63F 13/00; A63F 13/98; A63F 13/24;
A63F 9/0291; A63F 9/00; A63F 9/02;
A63F 9/24; A63F 2300/00; A63F
2300/1031

See application file for complete search history.

(56) **References Cited**

U.S. PATENT DOCUMENTS

D544,481 S *	6/2007	Maddox	D14/240
D620,939 S *	8/2010	Suetake	D14/401
D686,209 S *	7/2013	Sun	D14/401
D706,874 S *	6/2014	Ngoy	D21/329
D710,945 S *	8/2014	Biheller	D21/333
D712,970 S *	9/2014	Biheller	D21/330
D715,362 S	10/2014	He		
D723,625 S *	3/2015	Wikel	D21/333
D737,273 S *	8/2015	Schoenith	D14/401
D776,763 S *	1/2017	Schoenith	D21/333
D810,202 S *	2/2018	Foster	D21/333
D819,642 S *	6/2018	Ehara	D14/401
D819,696 S *	6/2018	Ehara	D14/496

D859,530 S	9/2019	Li		
D863,448 S *	10/2019	Ehara	D21/333
D870,207 S *	12/2019	Ali	D21/333
D875,180 S *	2/2020	Wang	D21/333
D875,836 S *	2/2020	Ehara	D21/333
D876,550 S *	2/2020	Ehara	D21/333
D878,474 S *	3/2020	Ehara	D21/333
D882,693 S *	4/2020	Ehara	D21/333
D884,796 S *	5/2020	Zhou	D21/333
D892,115 S *	8/2020	Gan	D14/401
D905,060 S *	12/2020	Tsuchida	D14/401
D912,155 S *	3/2021	Yang	D21/333
2018/0250588 A1 *	9/2018	Winick	A63F 13/25

OTHER PUBLICATIONS

“Nintendo Game Controller Switch” posted May 31, 2020[Online],[Retrieved Aug. 12, 2021], retrieved from Internet: <https://amzn.to/3g07Asd>.*

* cited by examiner

Primary Examiner — Mehri F Bajoul

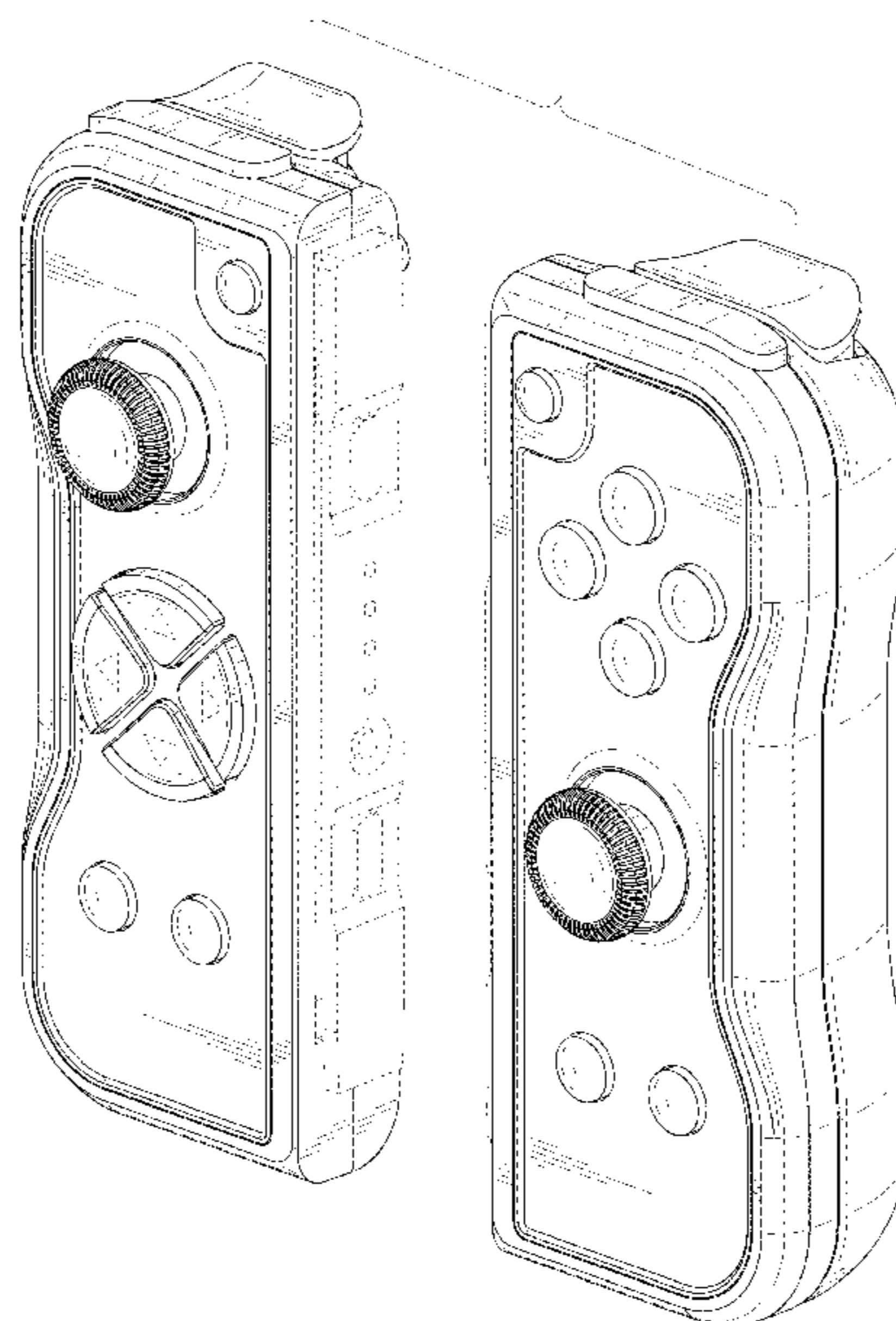
(57) **CLAIM**

The ornamental design for a gamepad set, as shown and described.

DESCRIPTION

FIG. 1 is a perspective view of a gamepad set showing my new design;
FIG. 2 is another perspective view thereof;
FIG. 3 is a front elevational view thereof;
FIG. 4 is a rear elevational view thereof;
FIG. 5 is a left side elevational view thereof;
FIG. 6 is a right side elevational view thereof;
FIG. 7 is a top plan view thereof; and,
FIG. 8 is a bottom plan view thereof.
The broken lines in the drawings depict portions of the gamepad set that form no part of the claimed design.

1 Claim, 8 Drawing Sheets



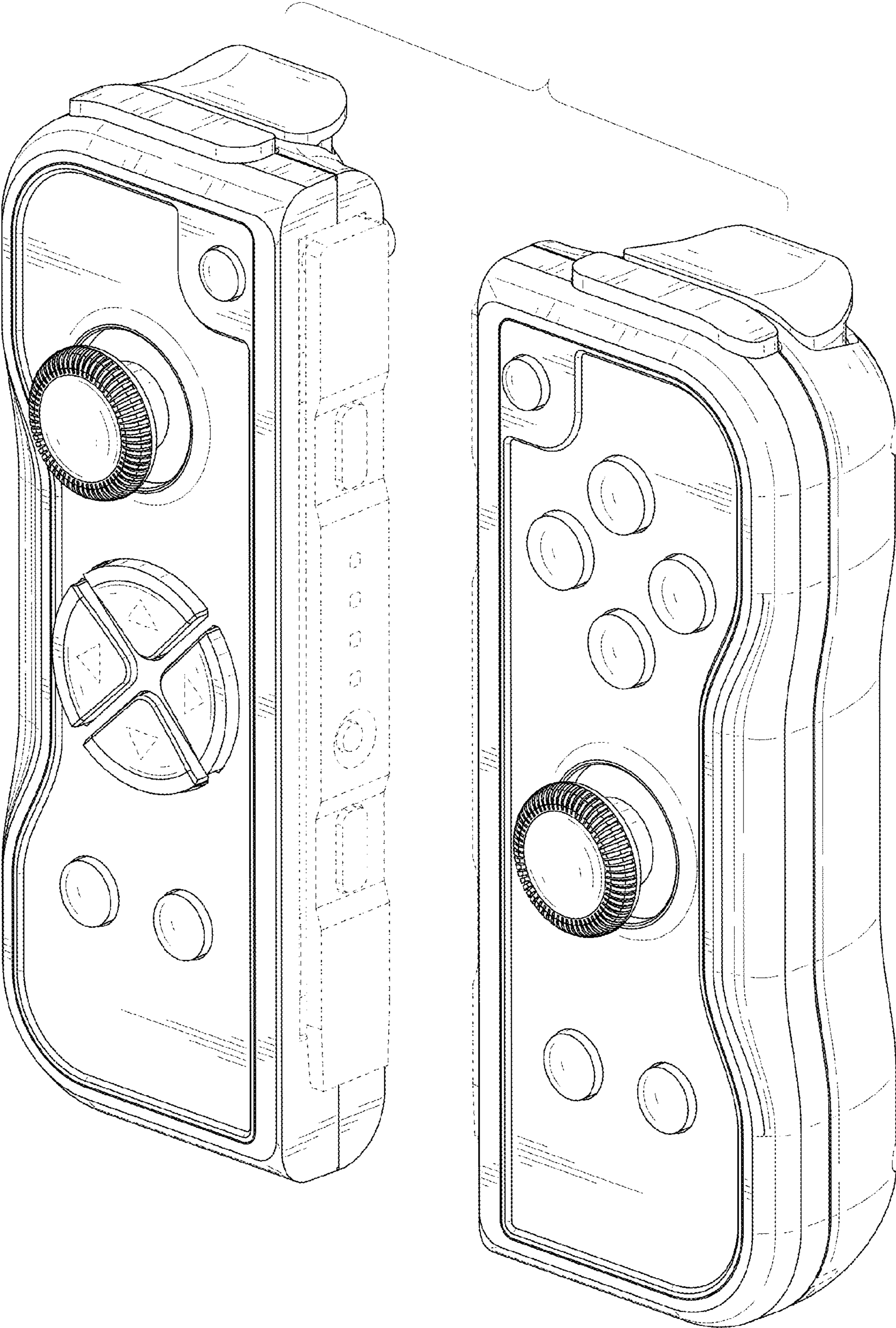


FIG. 1

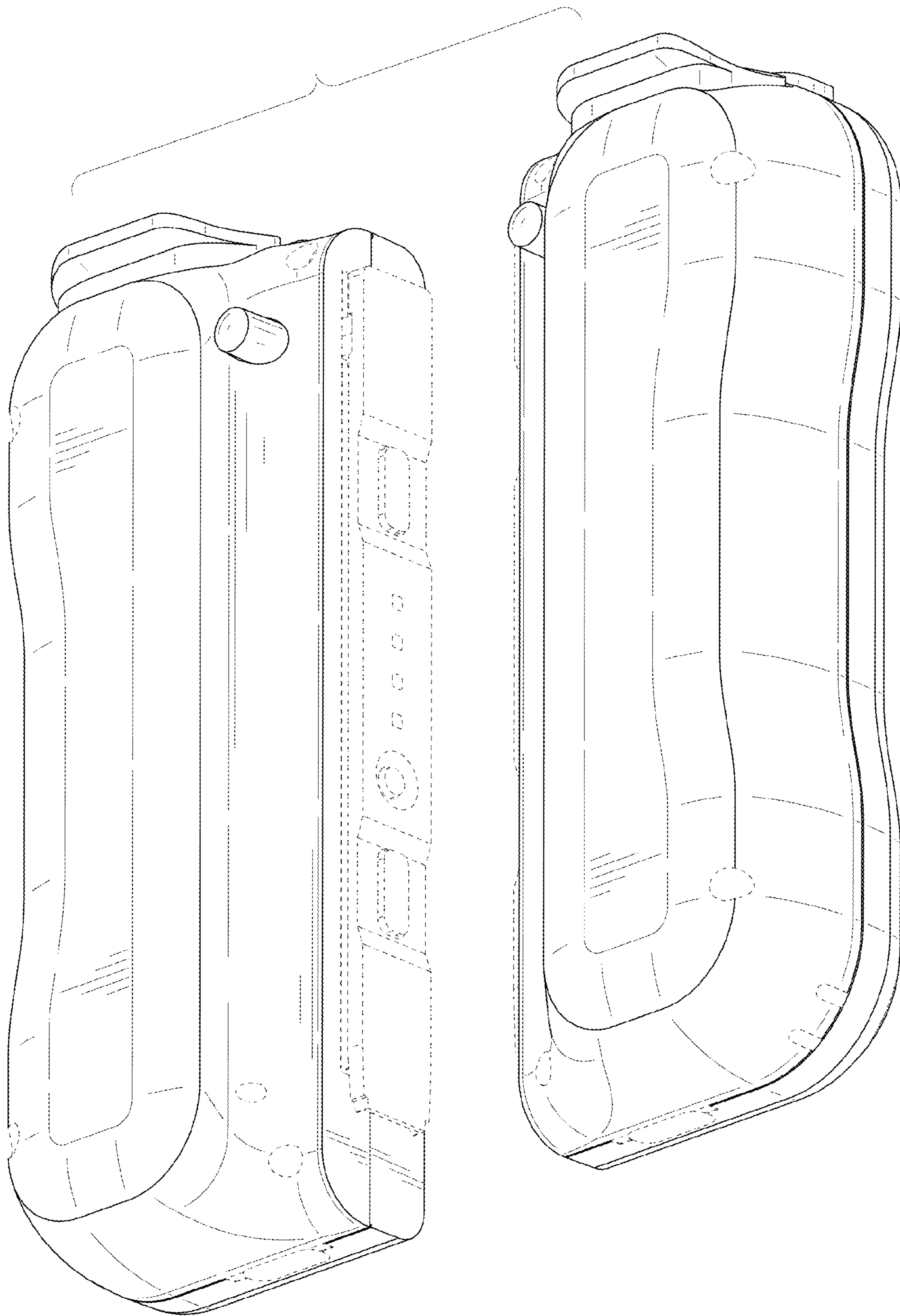


FIG. 2

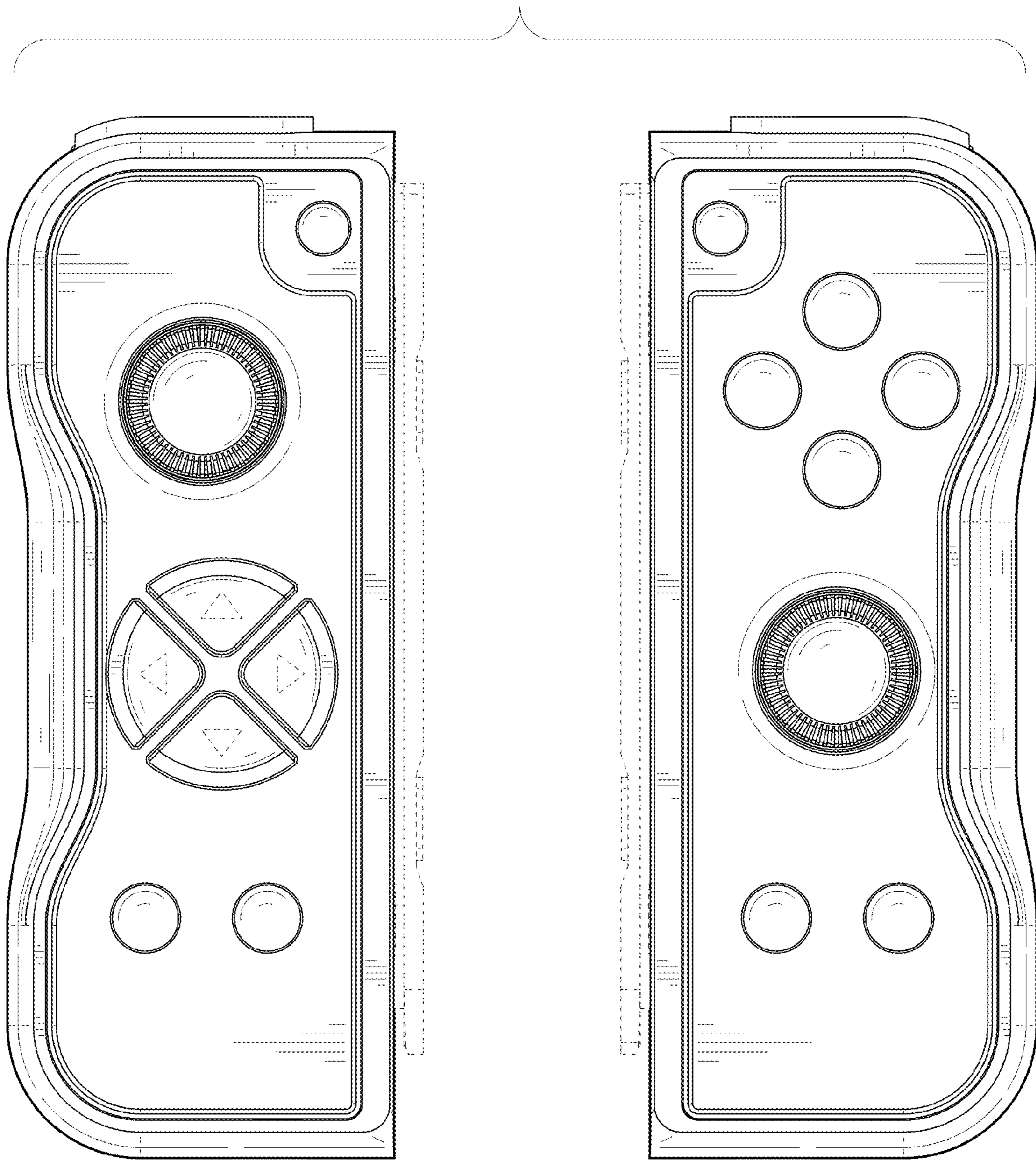


FIG. 3

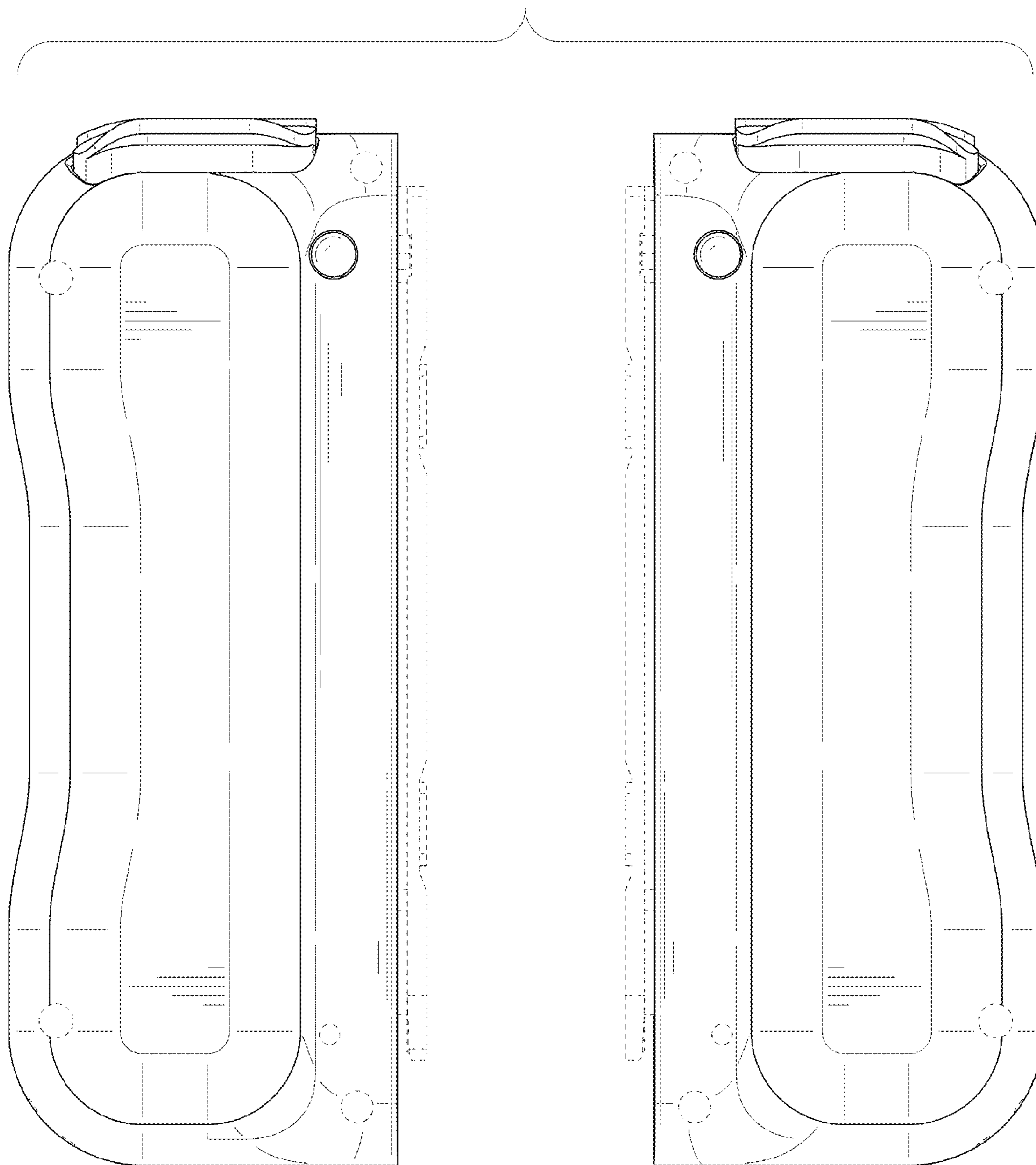


FIG. 4

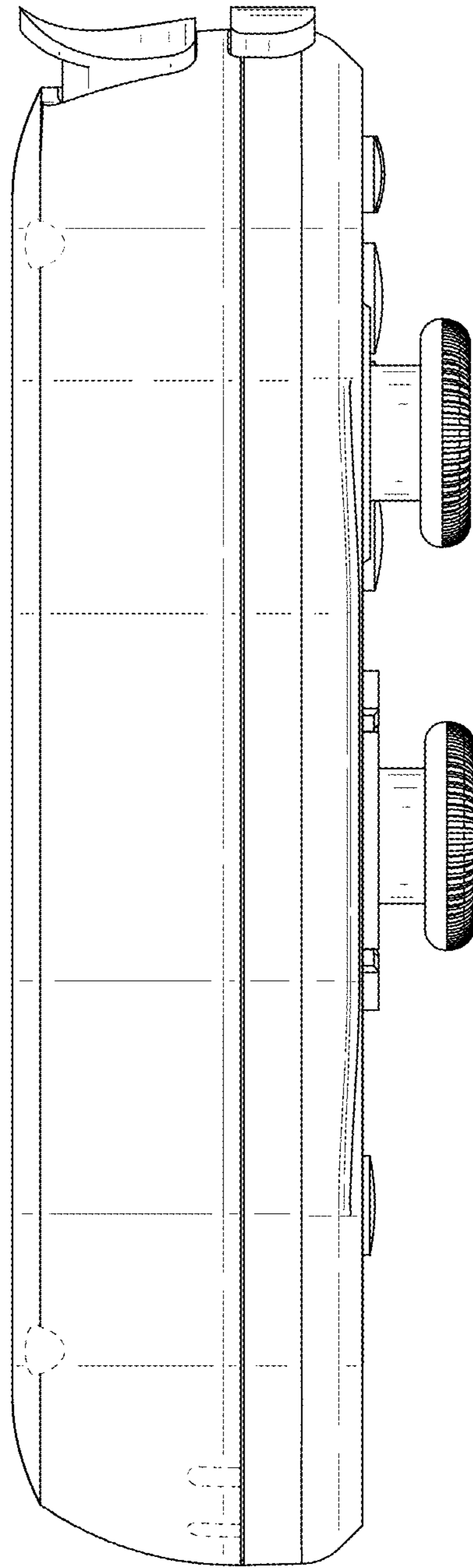


FIG. 5

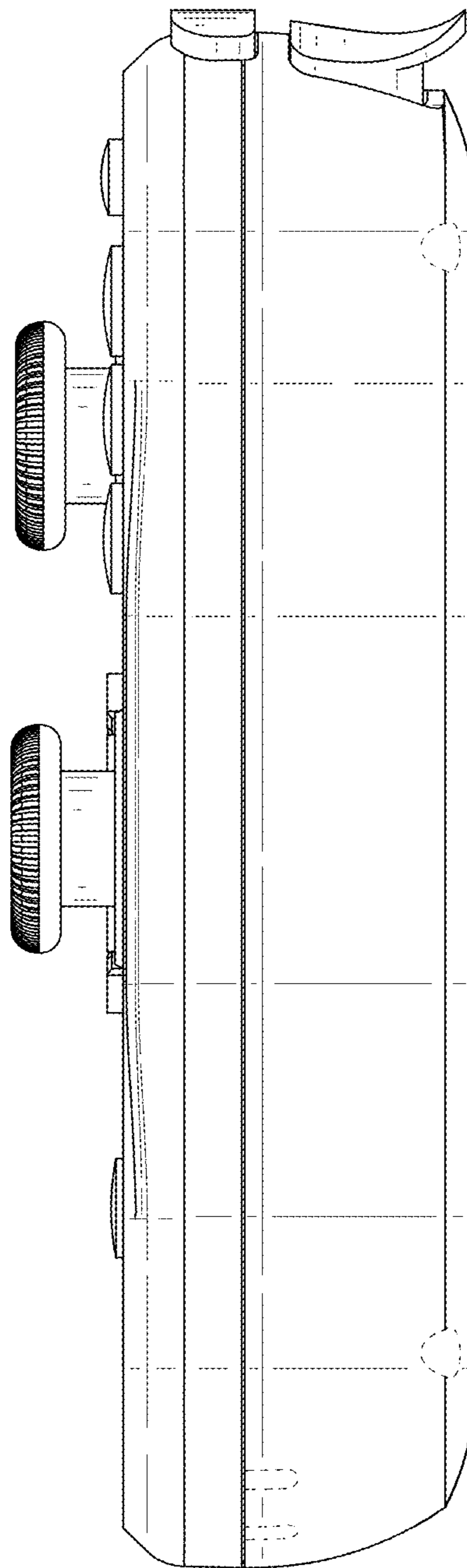


FIG. 6

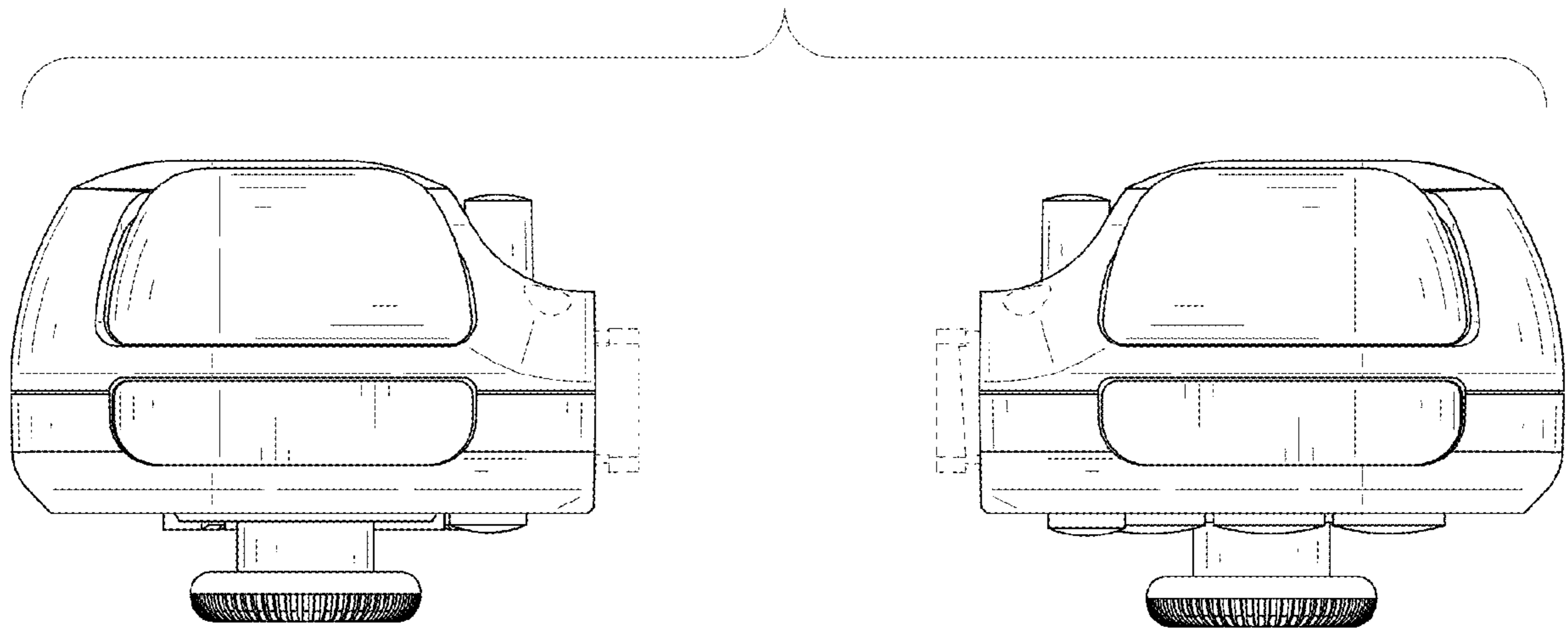


FIG. 7

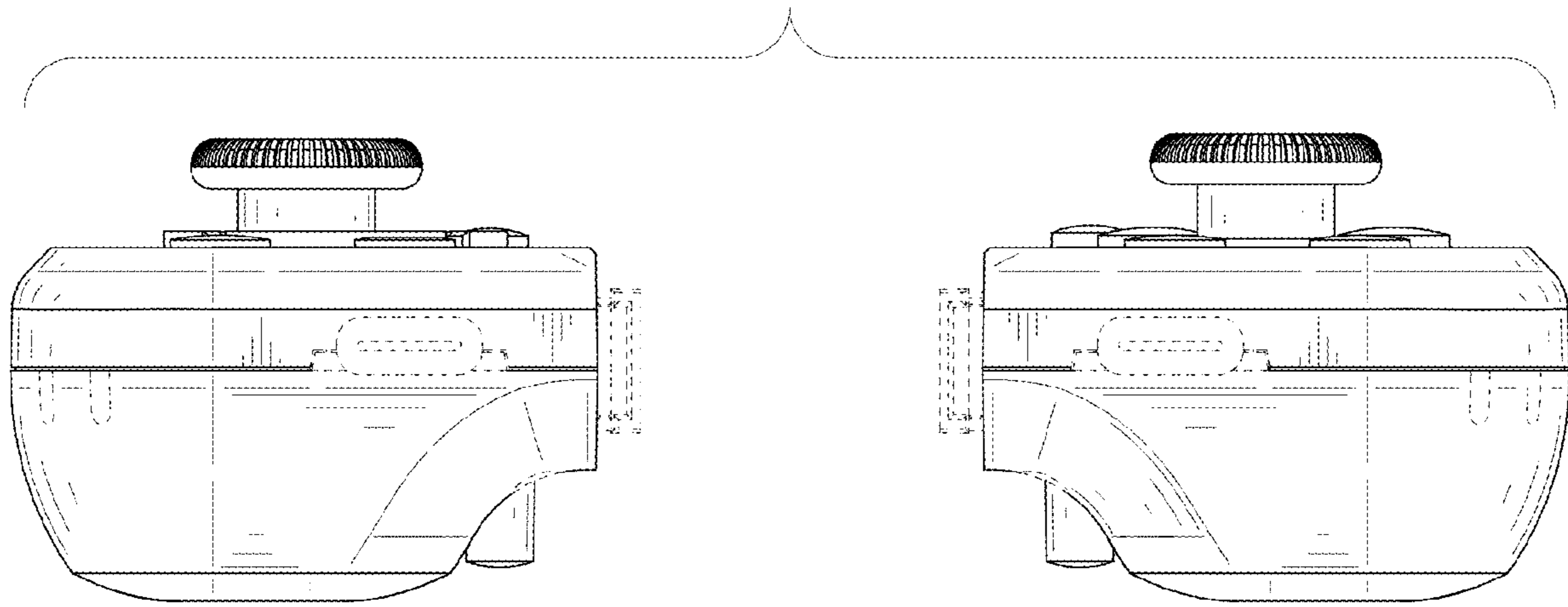


FIG. 8