



US00D955387S

(12) **United States Design Patent**
Zhu

(10) **Patent No.:** **US D955,387 S**
(45) **Date of Patent:** **** Jun. 21, 2022**

- (54) **VR HEADSET**
- (71) Applicant: **Lingfei Zhu**, Yongzhou (CN)
- (72) Inventor: **Lingfei Zhu**, Yongzhou (CN)
- (**) Term: **15 Years**
- (21) Appl. No.: **29/829,939**
- (22) Filed: **Mar. 9, 2022**
- (51) **LOC (13) Cl.** **14-02**
- (52) **U.S. Cl.**
USPC **D14/372**
- (58) **Field of Classification Search**
USPC D14/372, 496, 432, 371, 125, 126, 129,
D14/299; D16/300–342; 351/158, 153,
351/144; 345/7–9, 905; 455/344;
348/115, 53, 121, 739
CPC G02B 27/017; G02B 27/0158; G02B
27/0161; G02B 27/0181; G02B 27/0185;
G02B 27/0189
See application file for complete search history.

- D916,087 S * 4/2021 Wei D14/372
- D917,476 S * 4/2021 Zhang D14/372
- D918,200 S 5/2021 Natsume et al.
- D918,904 S * 5/2021 Jackson D14/372
- D925,528 S * 7/2021 Bristol D14/372
- D925,529 S * 7/2021 Morris D14/372

* cited by examiner

Primary Examiner — Austin Murphy

(57) **CLAIM**

The ornamental design for an VR headset, as shown and described.

DESCRIPTION

FIG. 1 is a perspective view of an VR headset showing my new design;
 FIG. 2 is another perspective view thereof;
 FIG. 3 is a front elevational view thereof;
 FIG. 4 is a rear elevational view thereof;
 FIG. 5 is a left side elevational view thereof;
 FIG. 6 is a right side elevational view thereof;
 FIG. 7 is a top plan view thereof;
 FIG. 8 is a bottom plan view thereof; and,
 FIG. 9 is a perspective view of the VR headset where the VR headset is in a configuration of use.
 The broken lines in FIG. 9 depict environment that form no part of the claimed design. The other broken lines in the drawings depict portions of the VR headset that form no part of the claimed design.

(56) **References Cited**

U.S. PATENT DOCUMENTS

- D880,476 S * 4/2020 Chen D14/372
- D882,568 S * 4/2020 Park D14/372
- D882,569 S * 4/2020 Tsao D14/372
- D898,738 S * 10/2020 Denhez D14/372
- D914,020 S * 3/2021 Wei D14/372

1 Claim, 9 Drawing Sheets

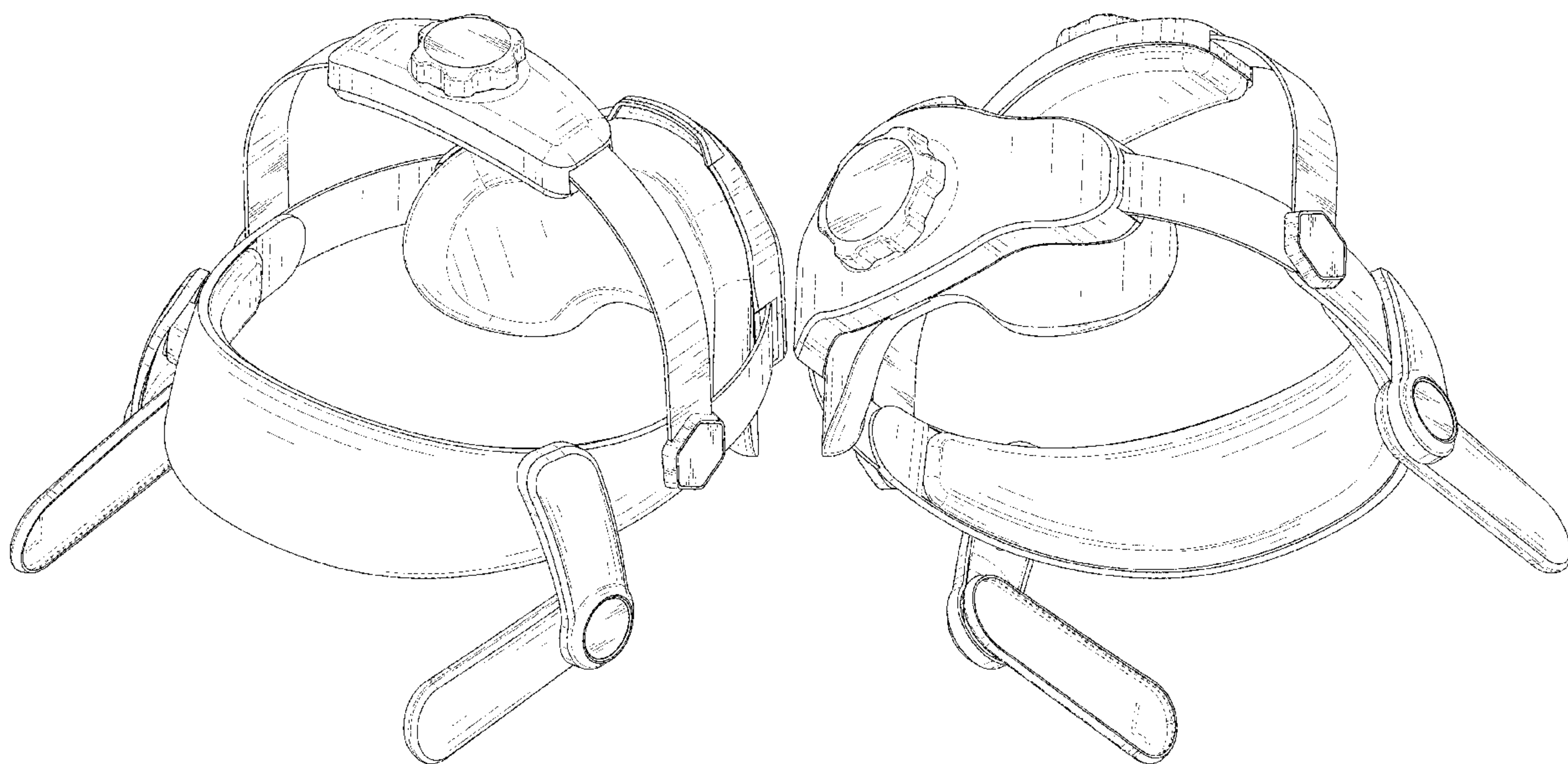




FIG. 1

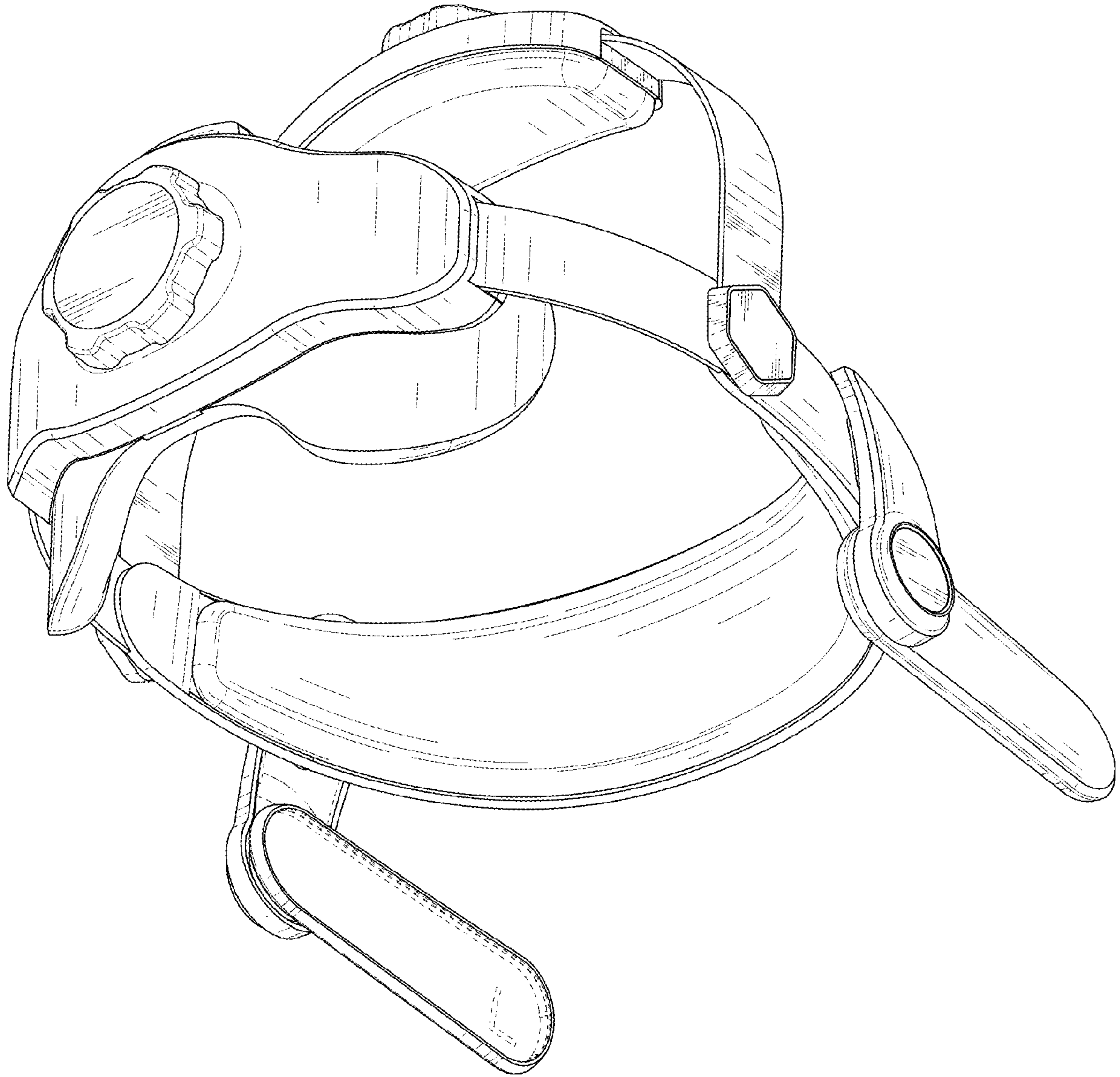


FIG. 2

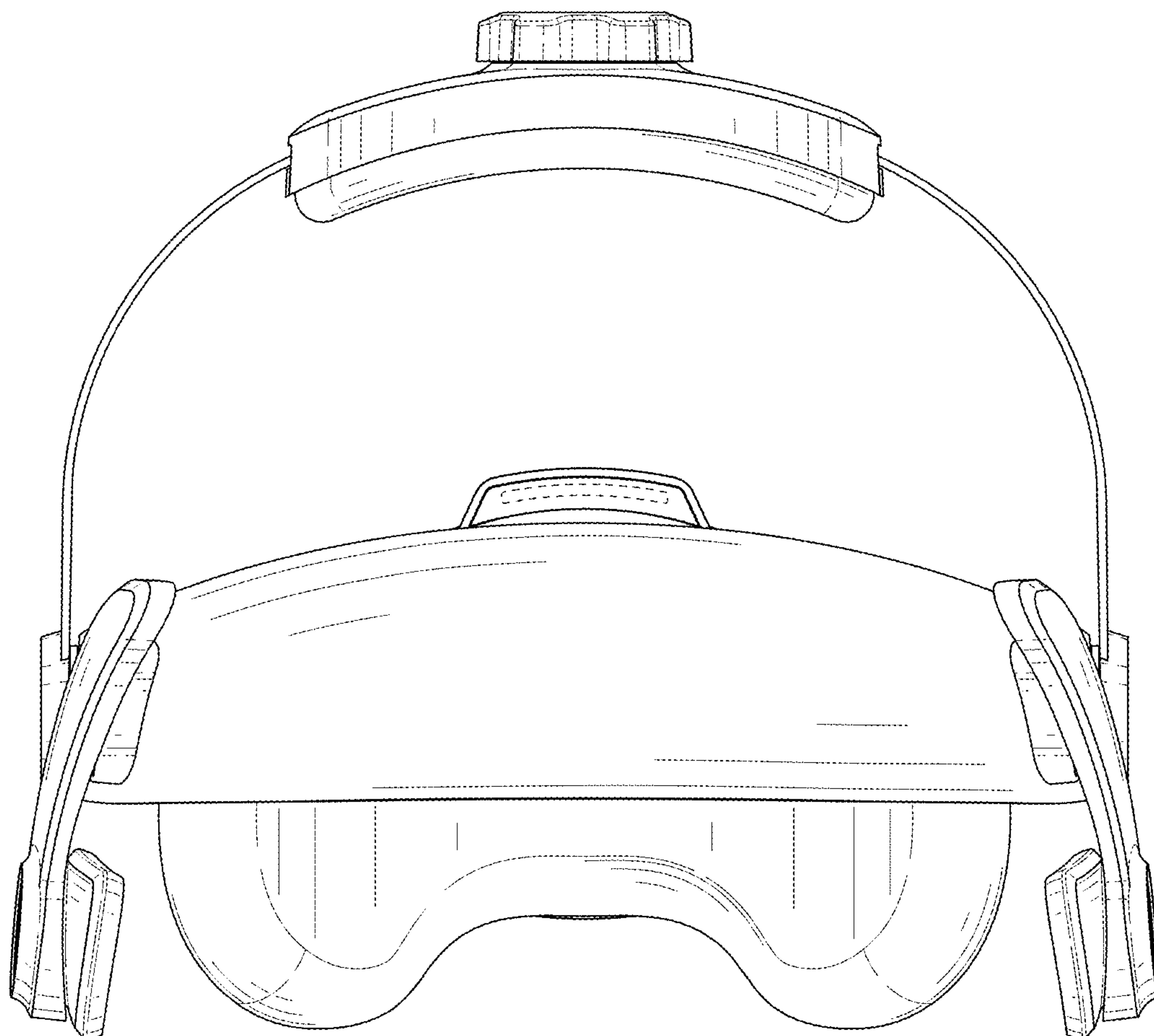


FIG. 3

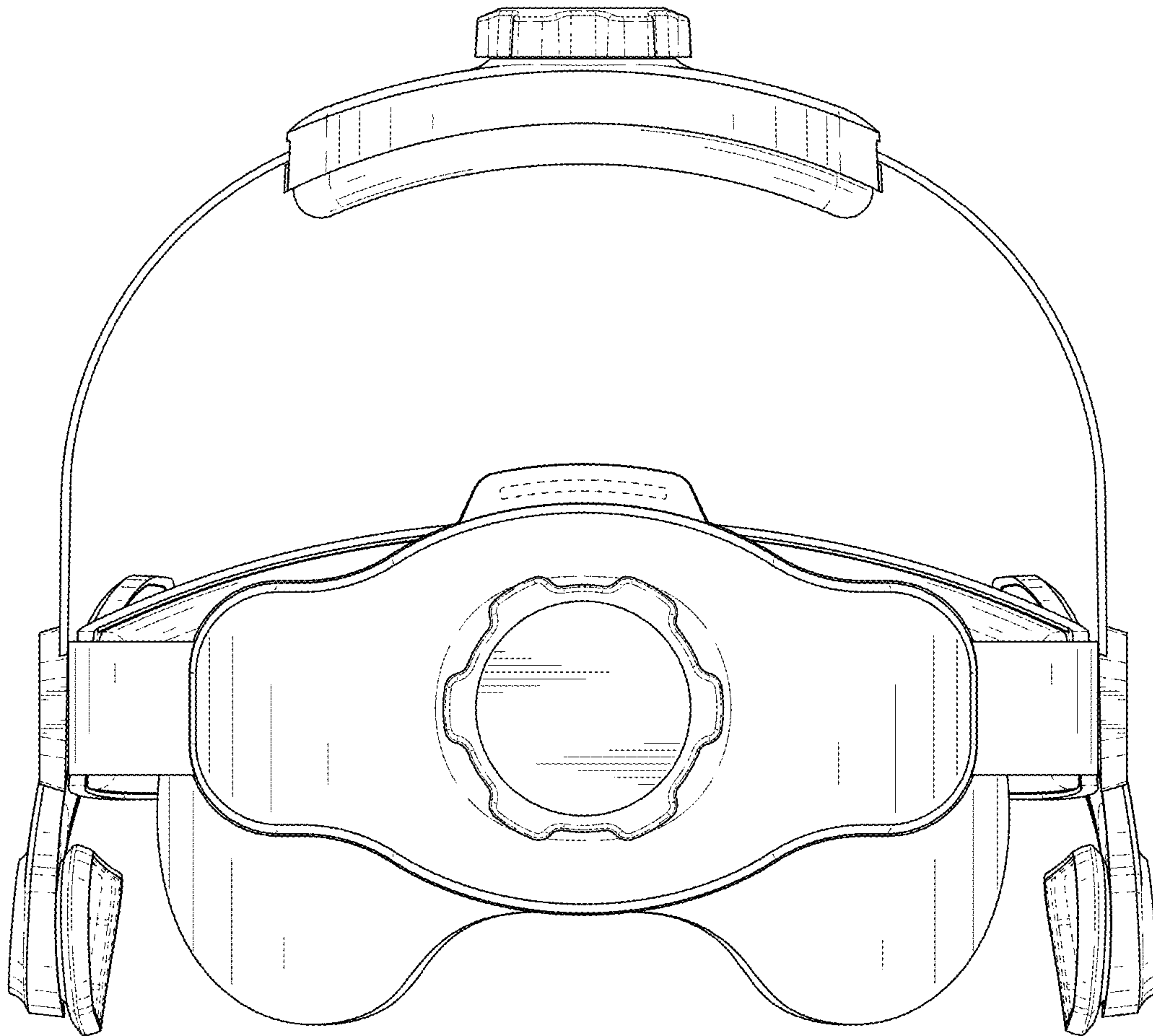


FIG. 4

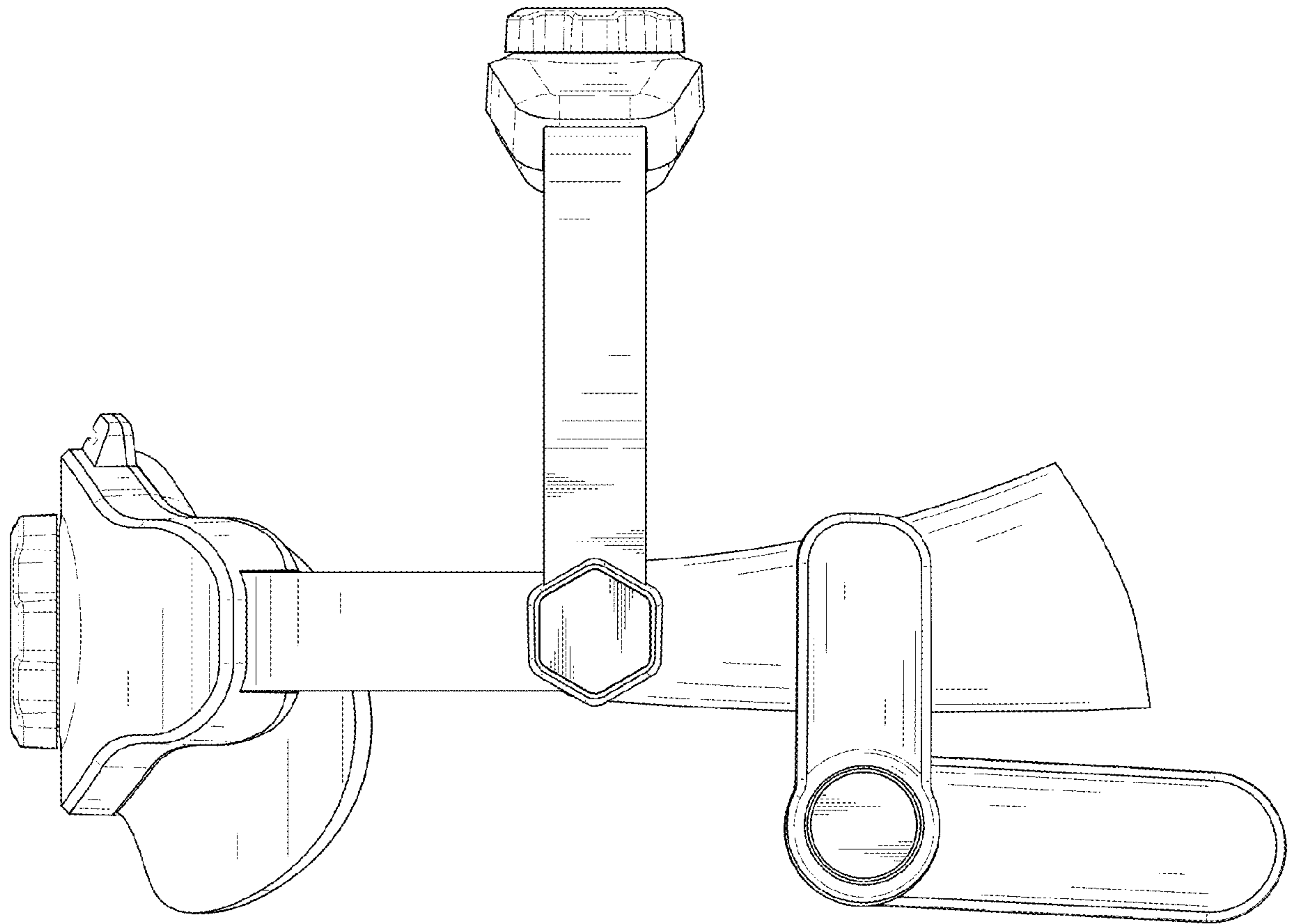


FIG. 5

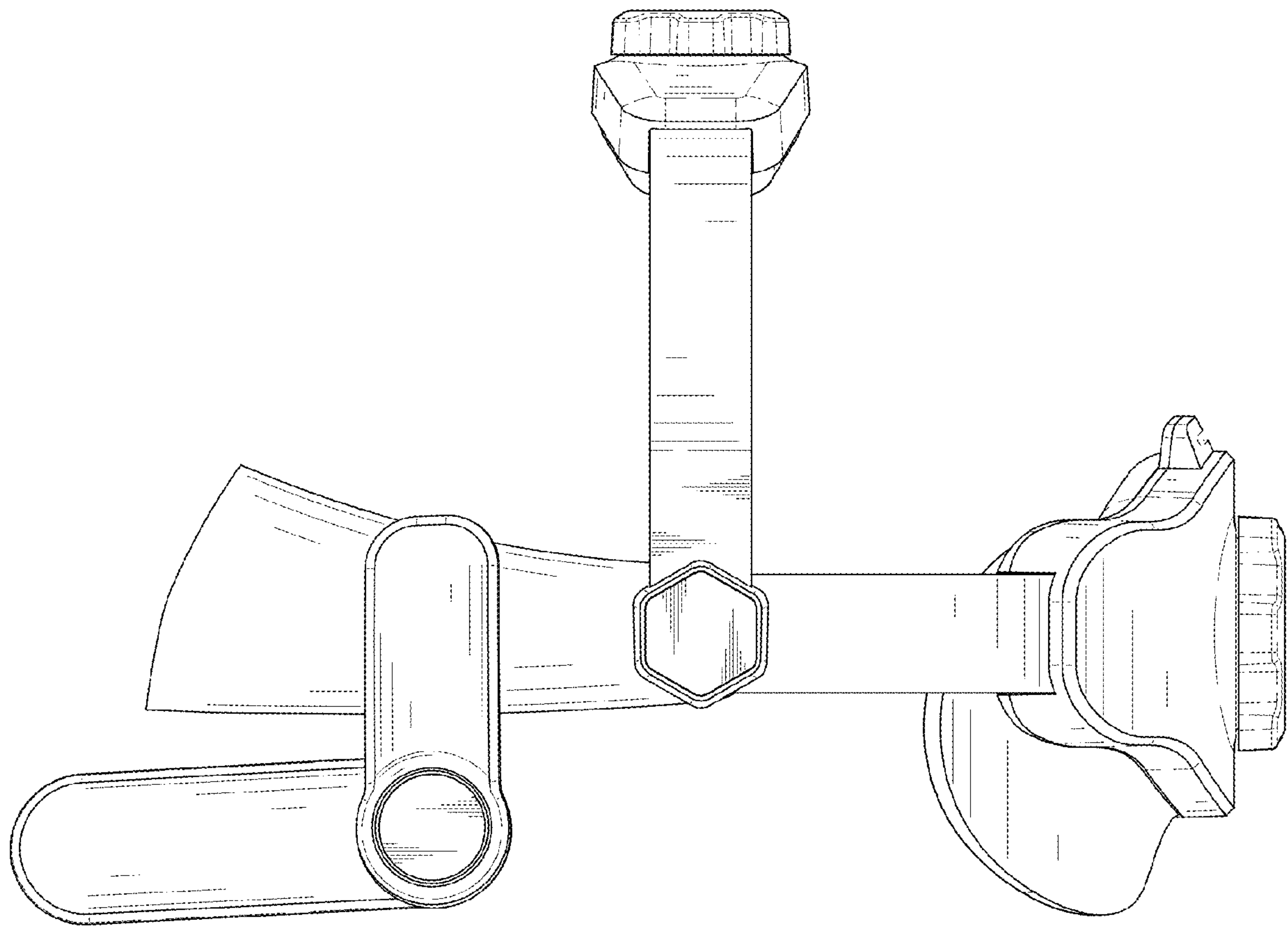


FIG. 6

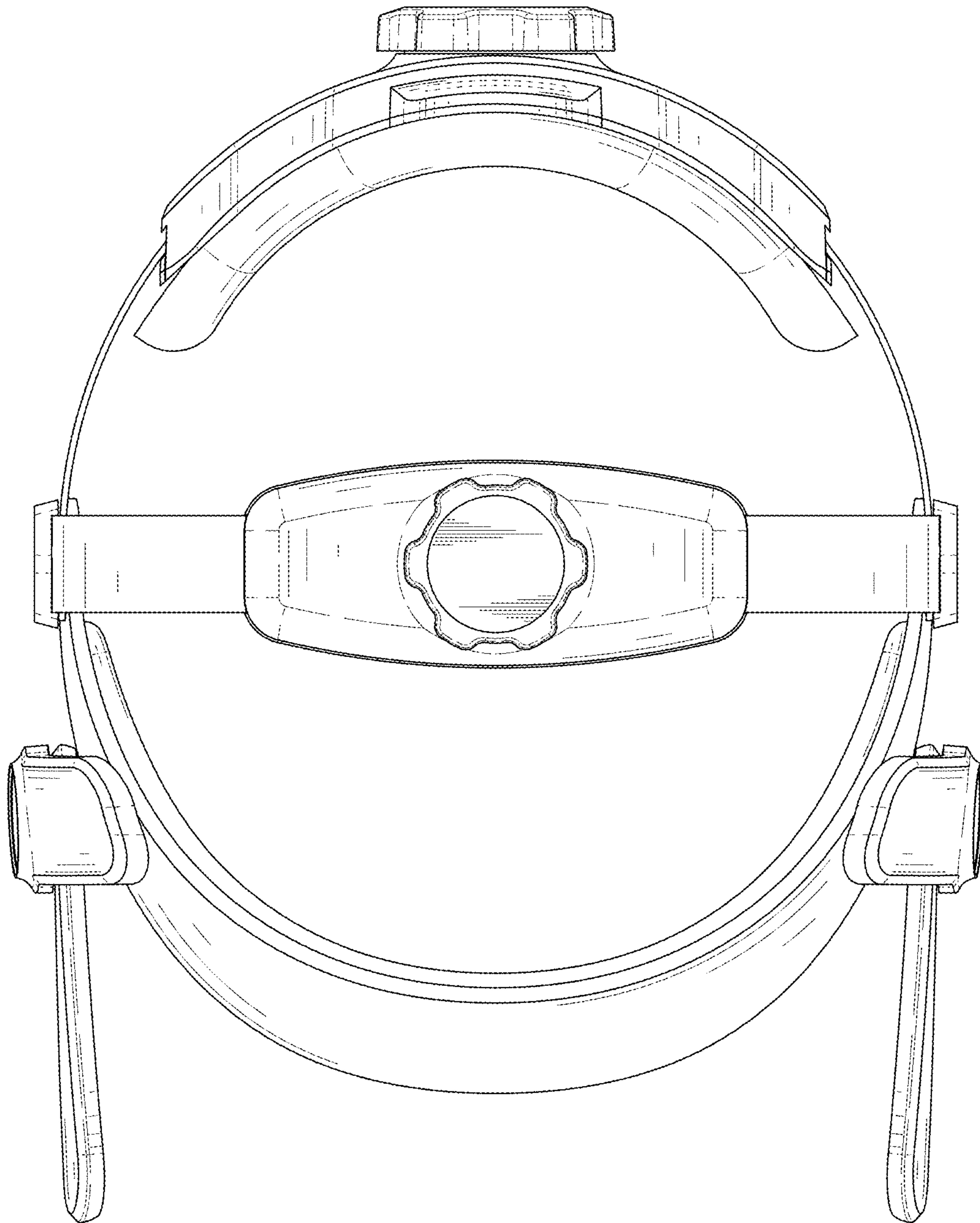


FIG. 7

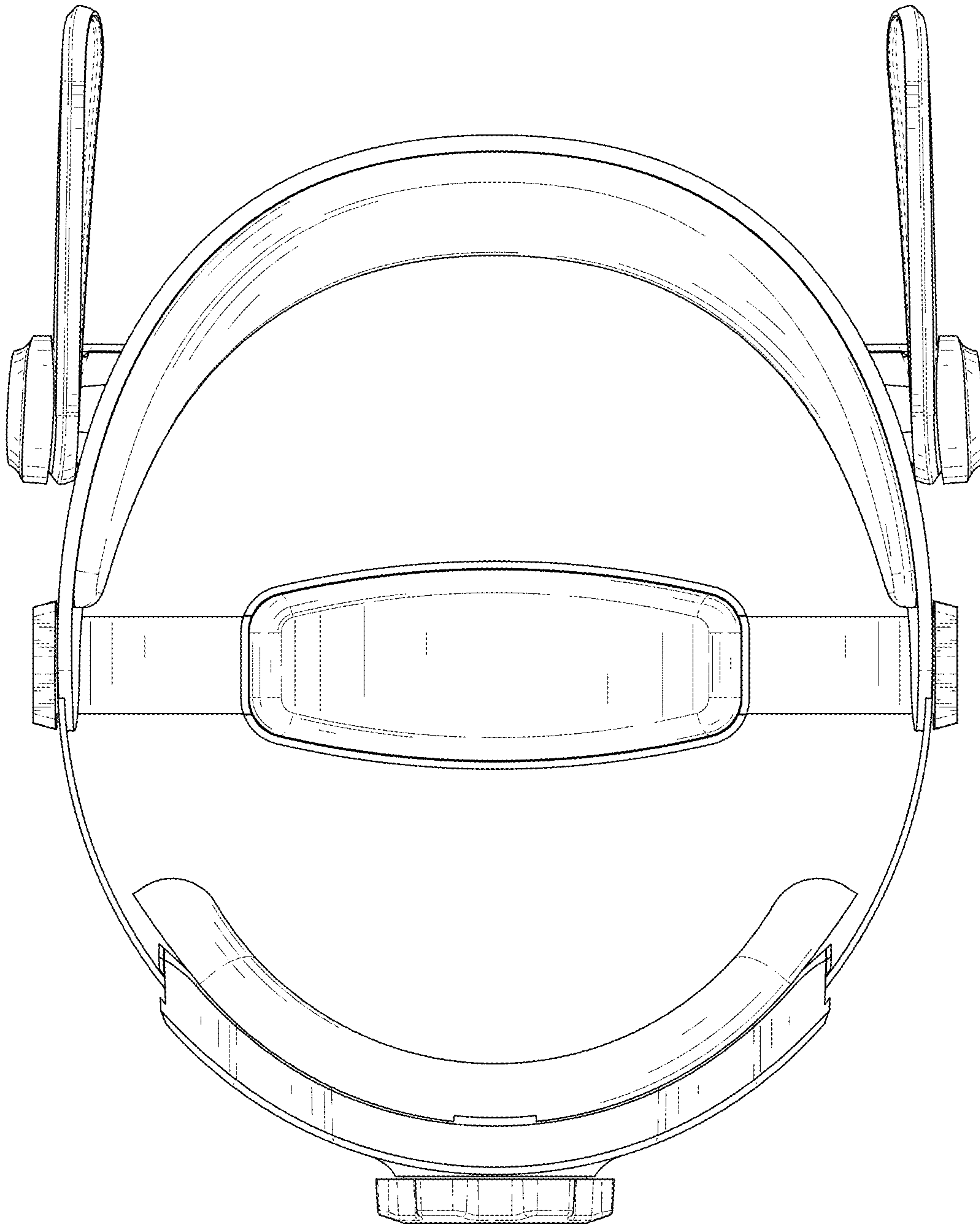


FIG. 8



FIG. 9