



US00D955385S

(12) **United States Design Patent**
Zhou

(10) **Patent No.:** **US D955,385 S**

(45) **Date of Patent:** **** Jun. 21, 2022**

(54) **PORTABLE MONITOR**

(71) Applicant: **Shenzhen Chaoshangyou Lepao Technology Co., Ltd.**, Guangdong (CN)

(72) Inventor: **Chaoran Zhou**, Guangdong (CN)

(73) Assignee: **Shenzhen Chaoshangyou Lepao Technology Co., Ltd.**, Shenzhen (CN)

(**) Term: **15 Years**

(21) Appl. No.: **29/766,377**

(22) Filed: **Jan. 14, 2021**

(30) **Foreign Application Priority Data**

Dec. 23, 2020 (CN) 202030796881.9

(51) **LOC (13) Cl.** **14-02**

(52) **U.S. Cl.**
USPC **D14/371**

(58) **Field of Classification Search**
USPC D14/126, 305, 307, 314, 335-336, 340, D14/371-372, 374-379, 381-382, 448; D21/324, 329, 332; D24/186; D13/162; D18/4.5; D6/300, 308, 310-312
CPC G06F 1/16; G06F 1/1601; G06F 21/84
See application file for complete search history.

(56) **References Cited**

U.S. PATENT DOCUMENTS

D600,686 S *	9/2009	Niitsu	D14/371
D635,976 S *	4/2011	Lee	D14/374
D669,076 S *	10/2012	Haller	D14/374
D680,087 S *	4/2013	Fujii	D14/126
D682,228 S *	5/2013	Lee	D14/126
D682,231 S *	5/2013	Lee	D14/126
D682,234 S *	5/2013	Lee	D14/126
D682,235 S *	5/2013	Lee	D14/126
D692,403 S *	10/2013	Takami	D14/126

D692,425 S *	10/2013	Kubota	D14/374
D693,343 S *	11/2013	Haller	D14/374
D706,233 S *	6/2014	Lee	D14/126

(Continued)

FOREIGN PATENT DOCUMENTS

EP	008364707-0001	*	12/2020
JP	D1685263	*	5/2021
JP	D1698654	*	11/2021

OTHER PUBLICATIONS

4k Portable Monitor Touchscreen, Corkea, amazon.com, published by Corkea, first available Dec. 6, 2020 © 1996-2022 Amazon.com, Inc., online, site visited Mar. 23, 2022. Available at URL: <https://www.amazon.com/Touchscreen-Corkea-3840%C3%972160-Switch-Speakers-Adjustable/dp/B08PP5FZKV> (Year: 2020).*

Primary Examiner — Sandra Snapp

Assistant Examiner — Altaira J Swangin

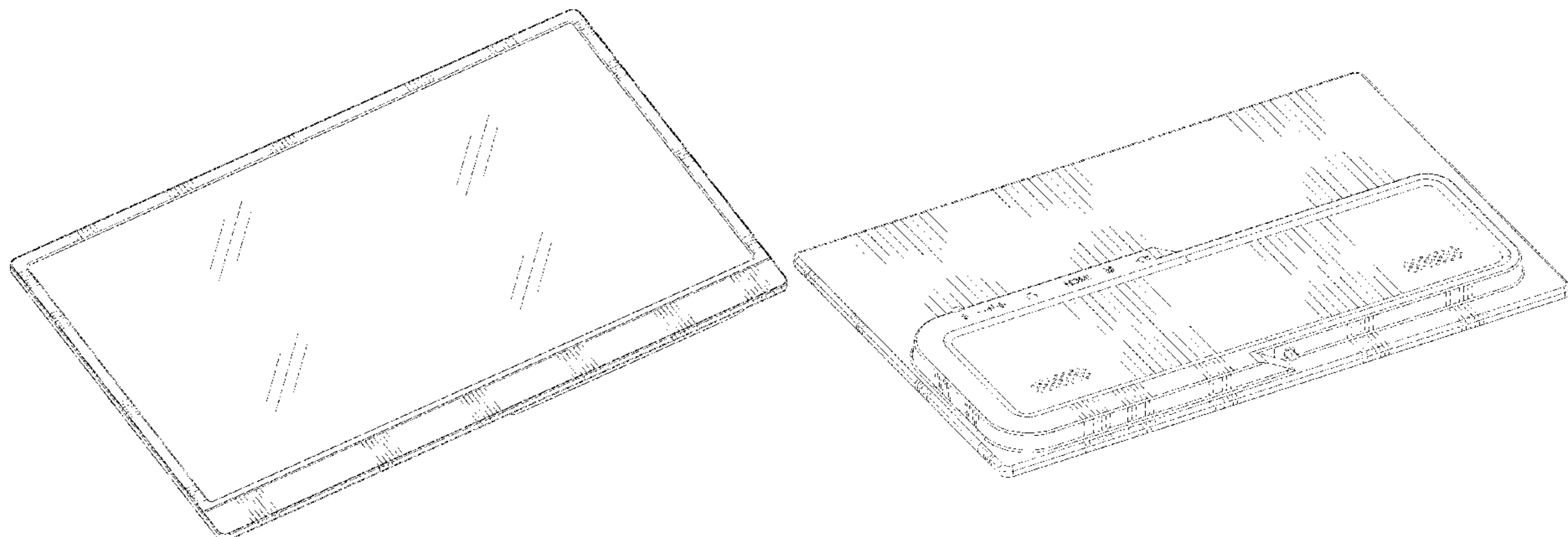
(57) **CLAIM**

The ornamental design for a portable monitor, as shown and described.

DESCRIPTION

FIG. 1 is a bottom, front and left side perspective view of a portable monitor showing my new design;
FIG. 2 is a bottom, rear and right side perspective view thereof;
FIG. 3 is a front elevational view thereof;
FIG. 4 is a rear elevational view thereof;
FIG. 5 is a left side view thereof;
FIG. 6 is a right side view thereof;
FIG. 7 is a top plan view thereof; and,
FIG. 8 is a bottom plan view thereof.
The broken lines in the drawings illustrate portions of the portable monitor which form no part of the claimed design. The diagonal lines in the drawings represent reflective surfaces.

1 Claim, 8 Drawing Sheets



(56)

References Cited

U.S. PATENT DOCUMENTS

D754,086	S	*	4/2016	Valeur	D14/126
D754,122	S	*	4/2016	Oakley	D14/374
D755,140	S	*	5/2016	Kim	D14/126
D760,718	S	*	7/2016	Wallace	D14/374
D766,897	S	*	9/2016	Lim	D14/374
D766,898	S	*	9/2016	Lim	D14/374
D769,240	S	*	10/2016	Yu	D14/371
D781,291	S	*	3/2017	Hu	D14/374
D805,491	S	*	12/2017	Lim	D14/126
D806,049	S	*	12/2017	Lee	D14/126
D807,848	S	*	1/2018	Lee	D14/126
D822,632	S	*	7/2018	Lee	D14/126
D837,787	S	*	1/2019	Sasaki	D14/374
D852,766	S	*	7/2019	Kang	D14/126
D855,612	S	*	8/2019	Lim	D14/374
D856,292	S	*	8/2019	Lim	D14/126
D860,148	S	*	9/2019	Kim	D14/126
D860,960	S	*	9/2019	Kim	D14/126
D896,194	S	*	9/2020	Kim	D14/126
D916,041	S	*	4/2021	Wang	D14/125
D918,163	S	*	5/2021	Kim	B64D 11/00154
						D14/126
D918,853	S	*	5/2021	Kim	B64D 11/00154
						D14/126
D920,941	S	*	6/2021	Yoo	D14/126
D923,595	S	*	6/2021	Jeong	D14/126
D924,235	S	*	7/2021	Harju	D14/374
D926,147	S	*	7/2021	Lim	D14/126
D937,795	S	*	12/2021	You	D14/126
D937,796	S	*	12/2021	Kim	G06F 1/18
						D14/126
D937,797	S	*	12/2021	Lee	G06F 1/18
						D14/126
D939,462	S	*	12/2021	Song	D14/126

* cited by examiner

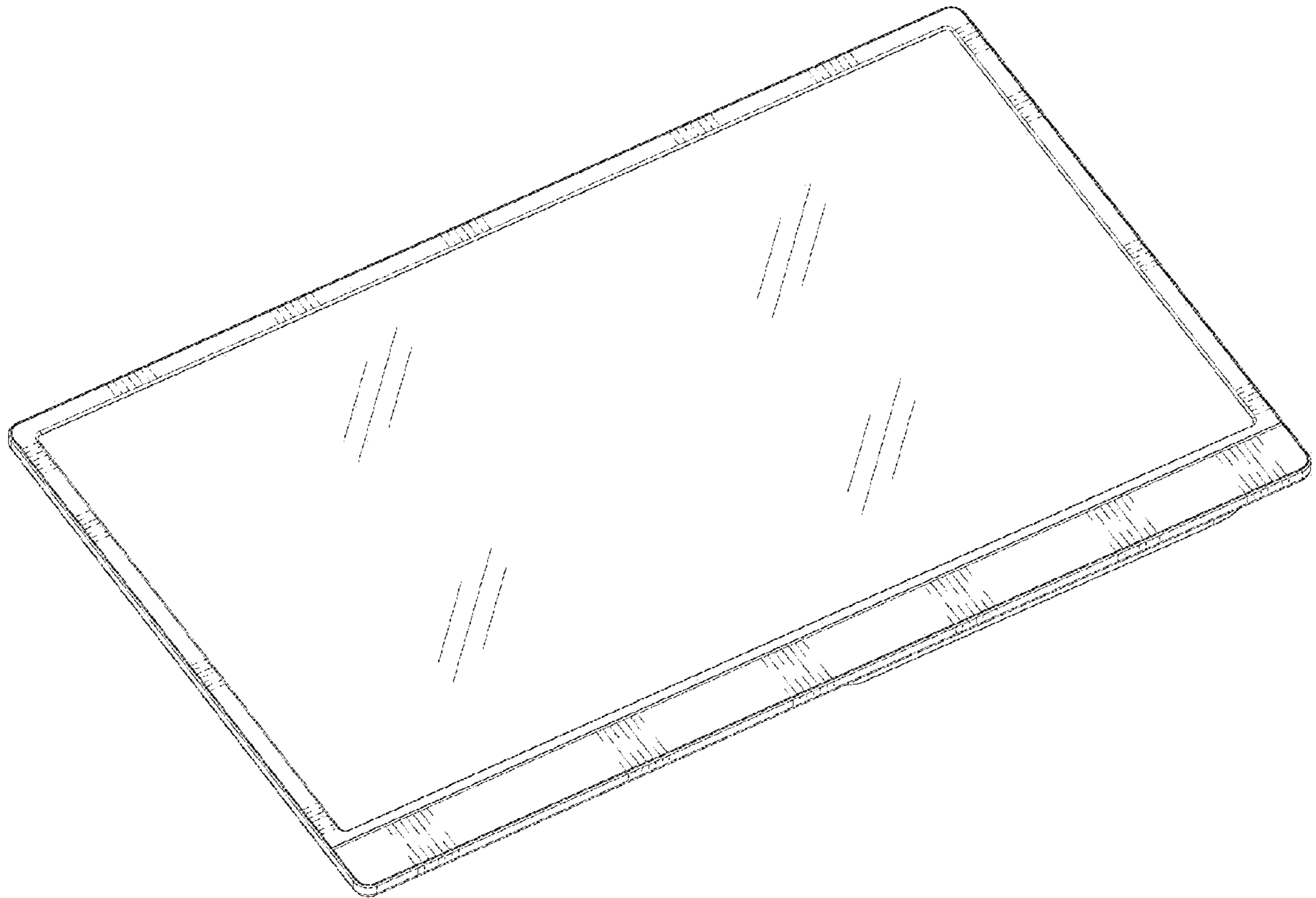


FIG.1

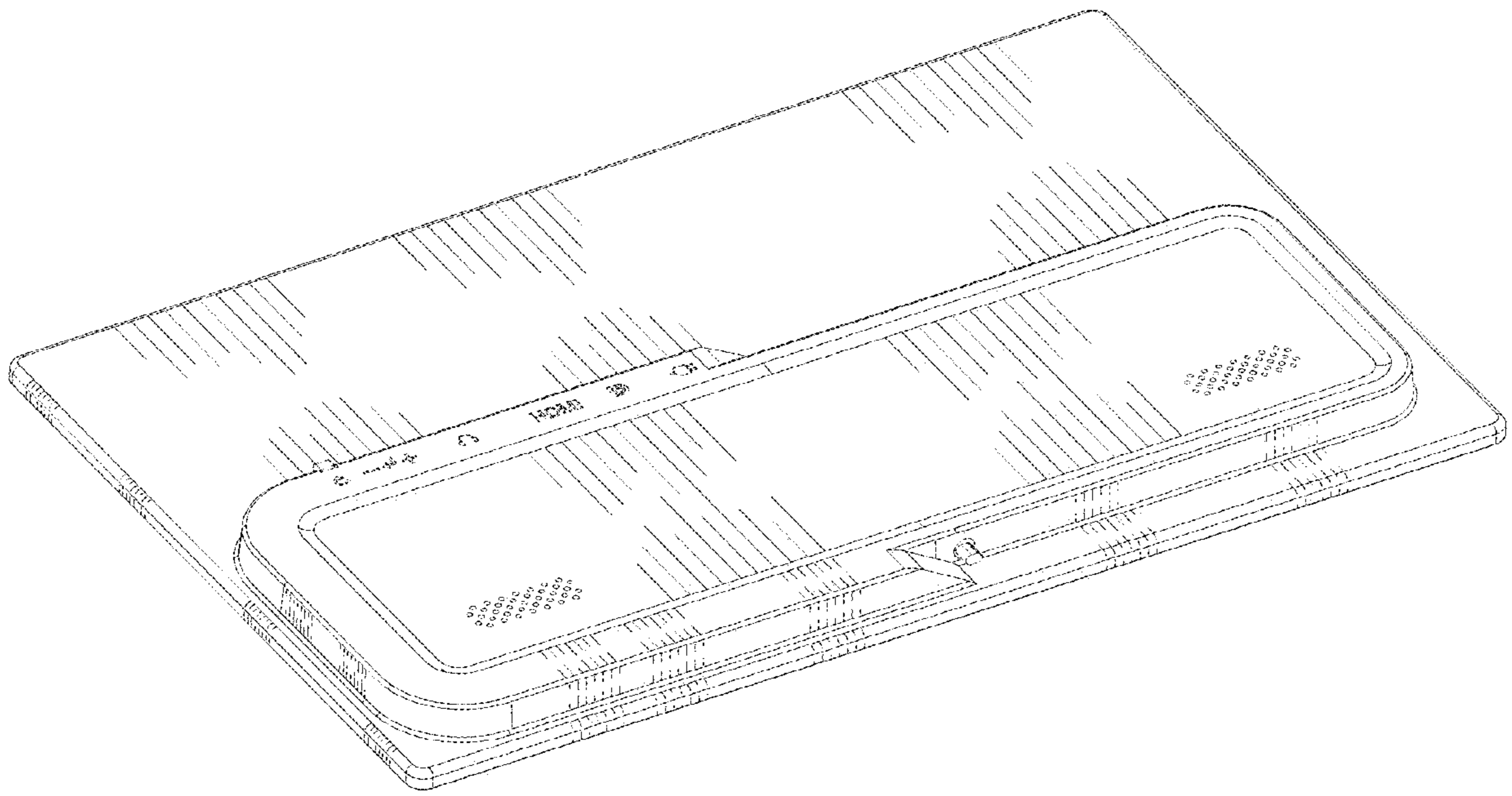


FIG.2

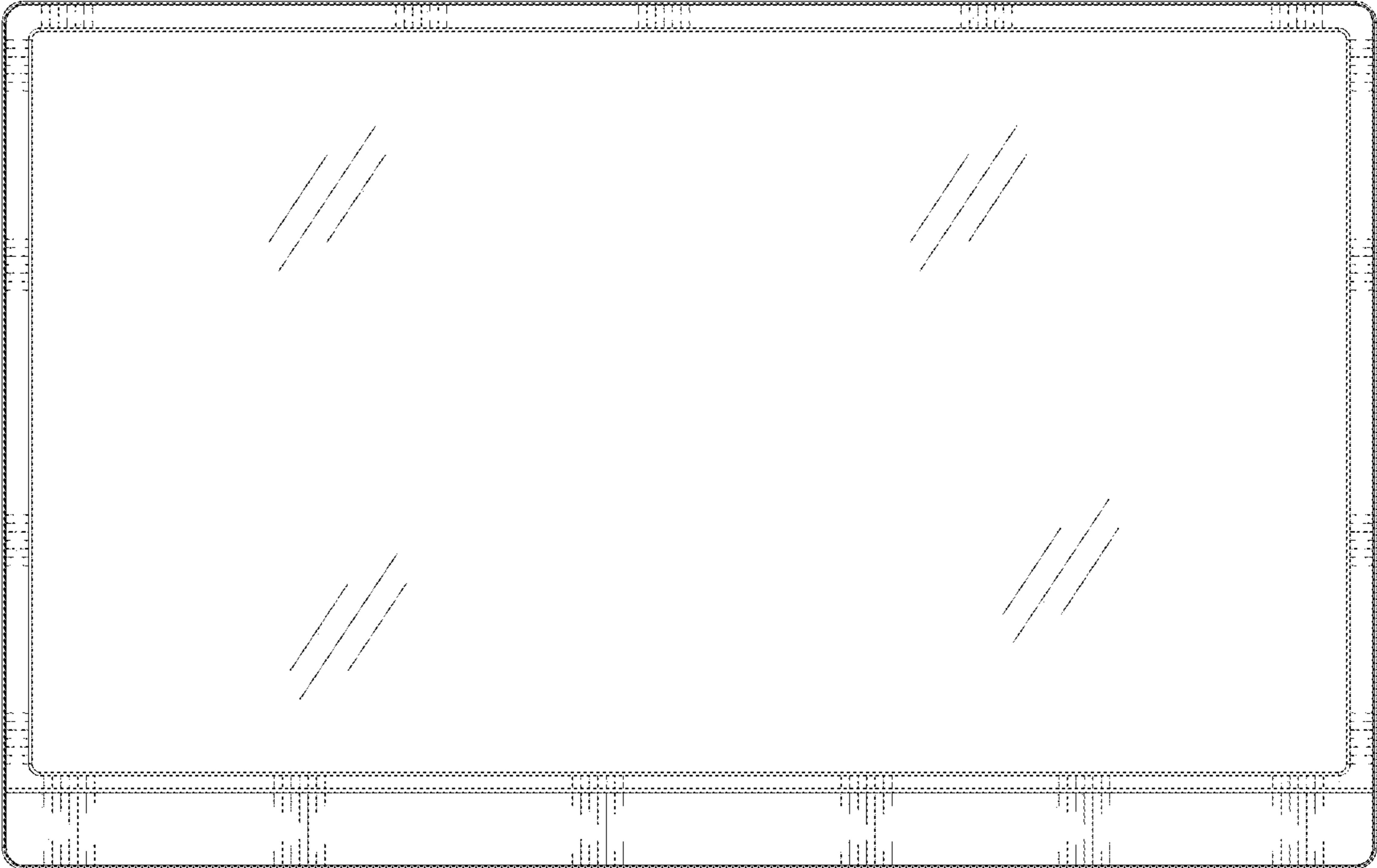


FIG.3

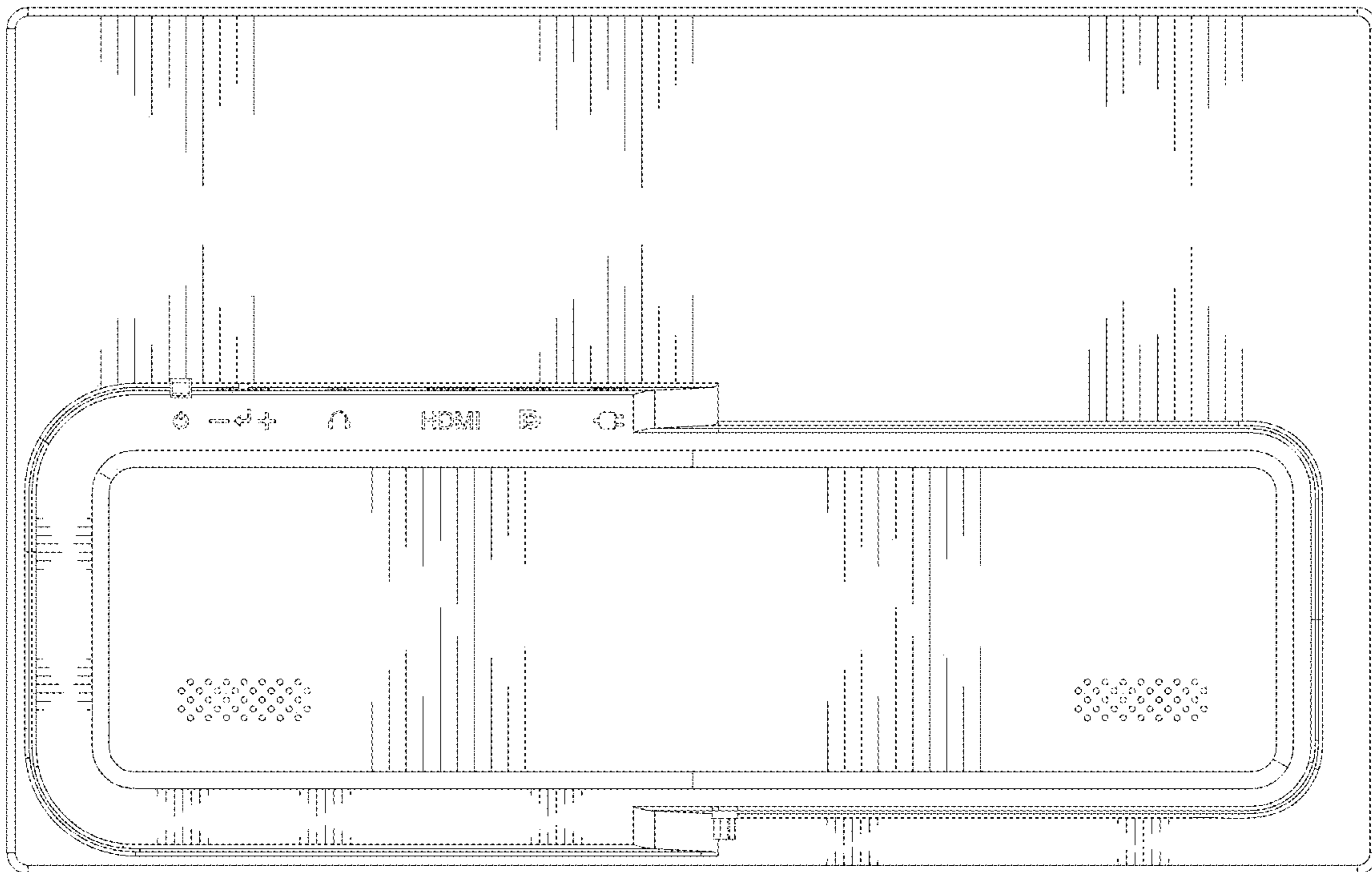


FIG.4

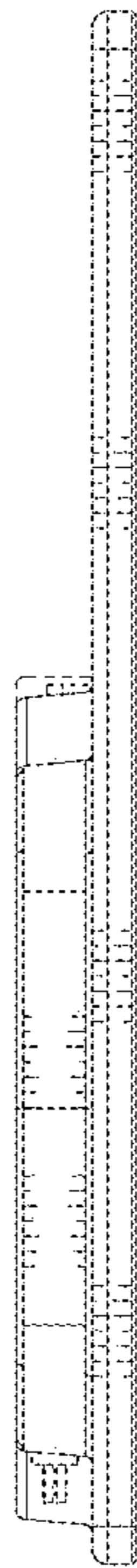


FIG.5

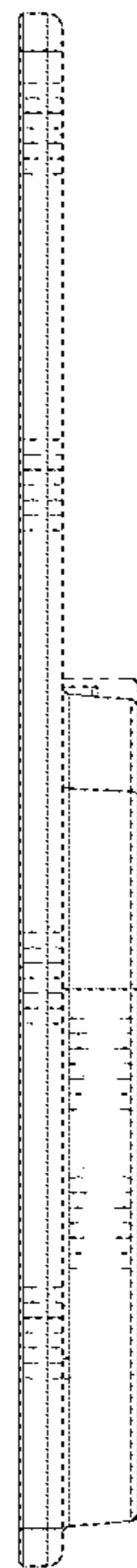


FIG.6

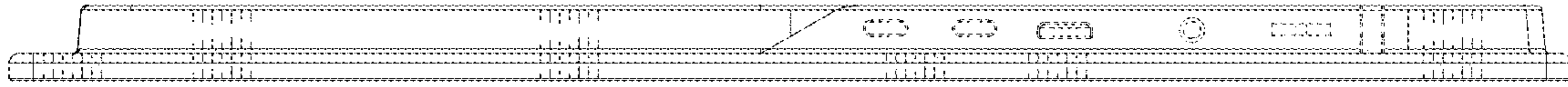


FIG.7

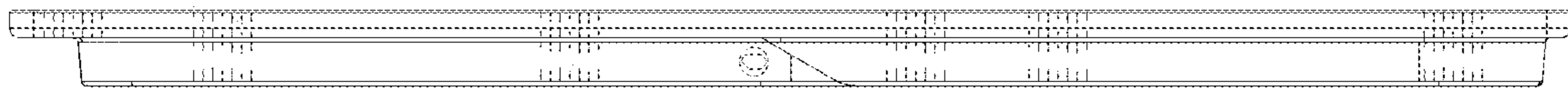


FIG.8