



US00D955384S

(12) **United States Design Patent**
Lee

(10) **Patent No.:** **US D955,384 S**
(45) **Date of Patent:** **** Jun. 21, 2022**

(54) **ELECTRONIC DEVICE**

(71) Applicant: **Samsung Electronics Co., Ltd.**,
Suwon-si (KR)

(72) Inventor: **Sang-Chul Lee**, Suwon-si (KR)

(73) Assignee: **SAMSUNG ELECTRONICS CO., LTD.**,
Suwon-si (KR)

(**) Term: **15 Years**

(21) Appl. No.: **29/736,520**

(22) Filed: **Jun. 1, 2020**

(30) **Foreign Application Priority Data**

Dec. 6, 2019 (KR) 30-2019-0059072

(51) **LOC (13) Cl.** **14-02**

(52) **U.S. Cl.**
USPC . **D14/371**; D14/341; D14/315; D14/138 AB;
D14/373

(58) **Field of Classification Search**
USPC D8/323, 324, 325, 328, 329; D10/71, 74;
D14/305, 306, 307, 314, 315, 334, 335,
(Continued)

(56) **References Cited**

U.S. PATENT DOCUMENTS

3,292,285 A * 12/1966 Kitayama G03B 23/125
40/733
D750,064 S * 2/2016 Yamazaki D14/341
(Continued)

FOREIGN PATENT DOCUMENTS

CN 304848554 10/2018
CN 305465480 11/2019
(Continued)

Primary Examiner — Kathleen L Jones
Assistant Examiner — Cole Sanders Holman

(74) *Attorney, Agent, or Firm* — McAndrews Held & Malloy, Ltd.

(57) **CLAIM**

The ornamental design for an electronic device, as shown and described.

DESCRIPTION

FIG. 1 is a front perspective view of an electronic device showing my new design;
FIG. 2 is a front elevation view thereof;
FIG. 3 is a rear elevation view thereof;
FIG. 4 is a left side elevation view thereof;
FIG. 5 is a right side elevation view thereof;
FIG. 6 is a top plan view thereof;
FIG. 7 is a bottom plan view thereof;
FIG. 8 is a rear perspective view thereof;
FIG. 9 is an enlarged view of the delineated portion 9 in FIG. 1;
FIG. 10 is an enlarged view of the delineated portion 10 in FIG. 2;
FIG. 11 is an enlarged view of the delineated portion 11 in FIG. 6;
FIG. 12 is an enlarged view of the delineated portion 12 in FIG. 6;
FIG. 13 is an enlarged view of the delineated portion 13 in FIG. 8;
FIG. 14 is an enlarged view of the delineated portion 14 in FIG. 8;
FIG. 15 is a front perspective view of the electronic device of FIG. 1 showing my new design in an alternate position;
FIG. 16 is a front elevation view thereof;
FIG. 17 is a rear elevation view thereof;
FIG. 18 is a left side elevation view thereof;
FIG. 19 is a right side elevation view thereof;
FIG. 20 is a top plan view thereof;
FIG. 21 is a bottom plan view thereof;
FIG. 22 is a rear perspective view thereof;
FIG. 23 is an enlarged view of the delineated portion 23 in FIG. 15;
FIG. 24 is an enlarged view of the delineated portion 24 in FIG. 16;

(Continued)

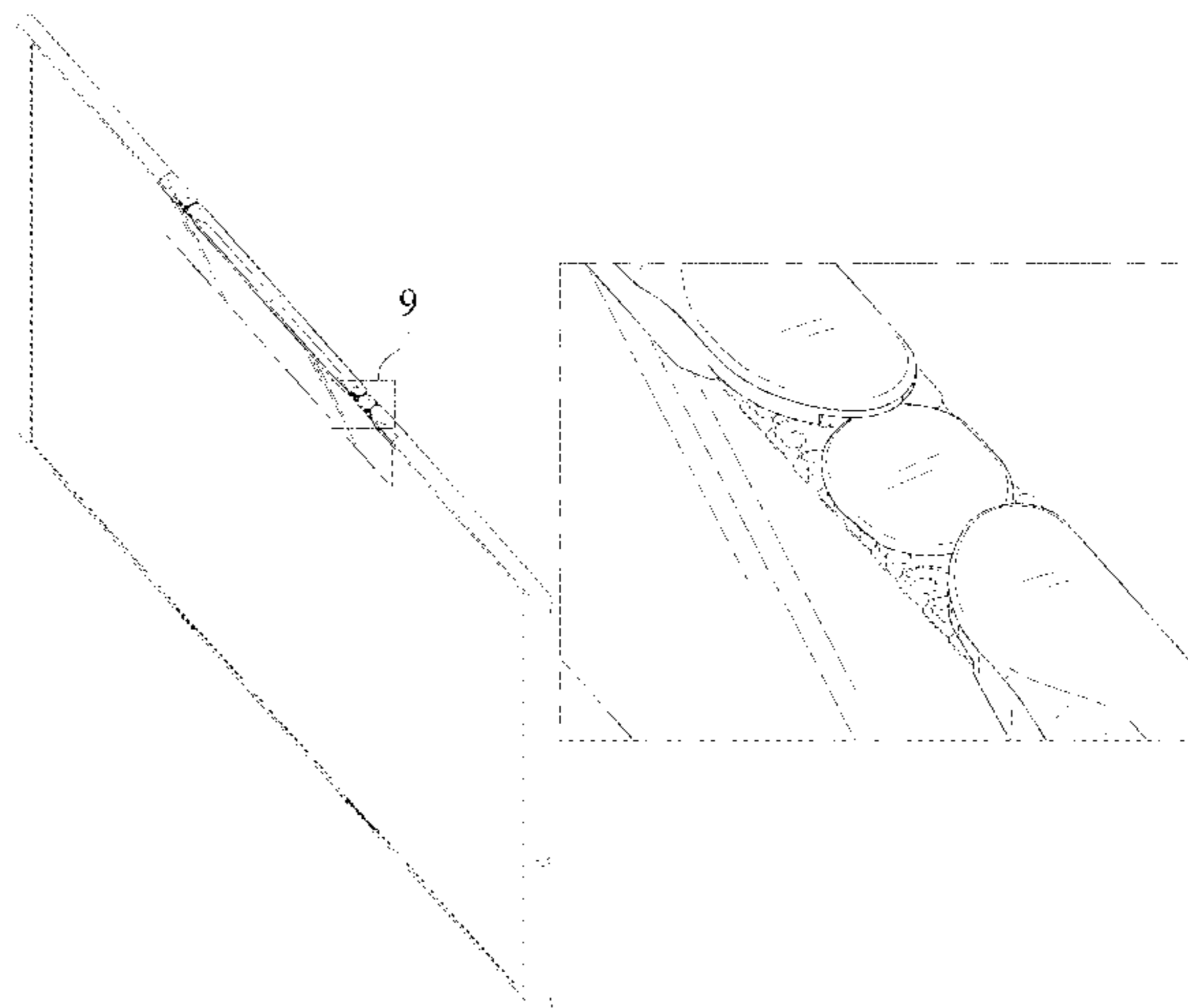


FIG. 25 is an enlarged view of the delineated portion 25 in FIG. 17;
 FIG. 26 is an enlarged view of the delineated portion 26 in FIG. 18;
 FIG. 27 is an enlarged view of the delineated portion 27 in FIG. 19;
 FIG. 28 is an enlarged view of the delineated portion 28 in FIG. 20;
 FIG. 29 is an enlarged view of the delineated portion 29 in FIG. 20;
 FIG. 30 is an enlarged view of the delineated portion 30 in FIG. 22;
 FIG. 31 is an enlarged view of the delineated portion 31 in FIG. 22;
 FIG. 32 is a front perspective view of the electronic device of FIG. 1 showing my new design in an alternate position;
 FIG. 33 is a front elevation view thereof;
 FIG. 34 is a rear elevation view thereof;
 FIG. 35 is a left side elevation view thereof;
 FIG. 36 is a right side elevation view thereof;
 FIG. 37 is a top plan view thereof;
 FIG. 38 is a bottom plan view thereof;
 FIG. 39 is a rear perspective view thereof;
 FIG. 40 is an enlarged view of the delineated portion 40 in FIG. 32;
 FIG. 41 is an enlarged view of the delineated portion 41 in FIG. 33;
 FIG. 42 is an enlarged view of the delineated portion 42 in FIG. 34;
 FIG. 43 is an enlarged view of the delineated portion 43 in FIG. 35;
 FIG. 44 is an enlarged view of the delineated portion 44 in FIG. 36;
 FIG. 45 is an enlarged view of the delineated portion 45 in FIG. 37;
 FIG. 46 is an enlarged view of the delineated portion 46 in FIG. 37;
 FIG. 47 is an enlarged view of the delineated portion 47 in FIG. 39; and,
 FIG. 48 is an enlarged view of the delineated portion 48 in FIG. 39.

The dashed broken lines in the figures illustrate portions of the electronic device that form no part of the claimed design. The dot-dash broken lines in the figures define the boundaries of the claimed design and form no part thereof. The dot-dot-dashed broken lines in the figures delineating por-

tions of the claimed design that are shown in enlargements form no part of the claimed design.

1 Claim, 48 Drawing Sheets

(58) **Field of Classification Search**

USPC D14/336, 337, 339, 340, 341, 371, 373, D14/374, 375, 376, 377, 378, 379, 380, D14/381, 382, 432, 448, 450, 452, 125, D14/126, 127, 132, 133, 138 AB, 217; D21/324, 329, 330, 332, 333
 CPC G06F 1/1616; G06F 1/1618; G06F 1/1622; G06F 1/1633; G06F 1/1637; G06F 1/1641; G06F 1/1643; G06F 1/1647; G06F 1/1649; G06F 1/1652; G06F 1/1681; G06F 1/1684; G06F 3/03548; H04M 1/021; H04M 1/022; H04M 1/0212

See application file for complete search history.

(56) **References Cited**

U.S. PATENT DOCUMENTS

D754,122	S	*	4/2016	Oakley	D14/374
D778,253	S	*	2/2017	Kwak	D14/345
D828,319	S	*	9/2018	Seo	D14/138 AD
D829,681	S		10/2018	Han et al.		
D833,431	S	*	11/2018	Bae	D14/345
D894,145	S	*	8/2020	Lee	D14/138 AB
D902,901	S	*	11/2020	Kim	D14/248
D910,621	S	*	2/2021	Park	D14/341
D910,622	S	*	2/2021	Lee	D14/341
D912,662	S	*	3/2021	Kurma Raju	D14/331
11,119,537	B2	*	9/2021	Jeong	G06F 1/1656
D934,855	S	*	11/2021	Hallar	D14/315
11,188,120	B2	*	11/2021	Myung	H04M 1/0222
D941,824	S	*	1/2022	Kim	D14/440
11,223,710	B2	*	1/2022	Cheng	G06F 1/1652
2011/0063783	A1	*	3/2011	Shim	G06F 1/1615 361/679.01
2014/0111954	A1	*	4/2014	Lee	H05K 1/028 361/749
2018/0356859	A1	*	12/2018	Hamburgen	G06F 3/0412
2019/0032380	A1	*	1/2019	Wu	G06F 1/1616
2019/0243426	A1	*	8/2019	Morrison	E05D 3/122
2021/0232183	A1	*	7/2021	Shibayama	G06F 1/1647
2021/0325937	A1	*	10/2021	Siddiqui	G06F 1/1683
2021/0397226	A1	*	12/2021	Siddiqui	G06F 1/1681

FOREIGN PATENT DOCUMENTS

CN	305465481	11/2019
KR	301005155	5/2019

* cited by examiner

FIG. 1

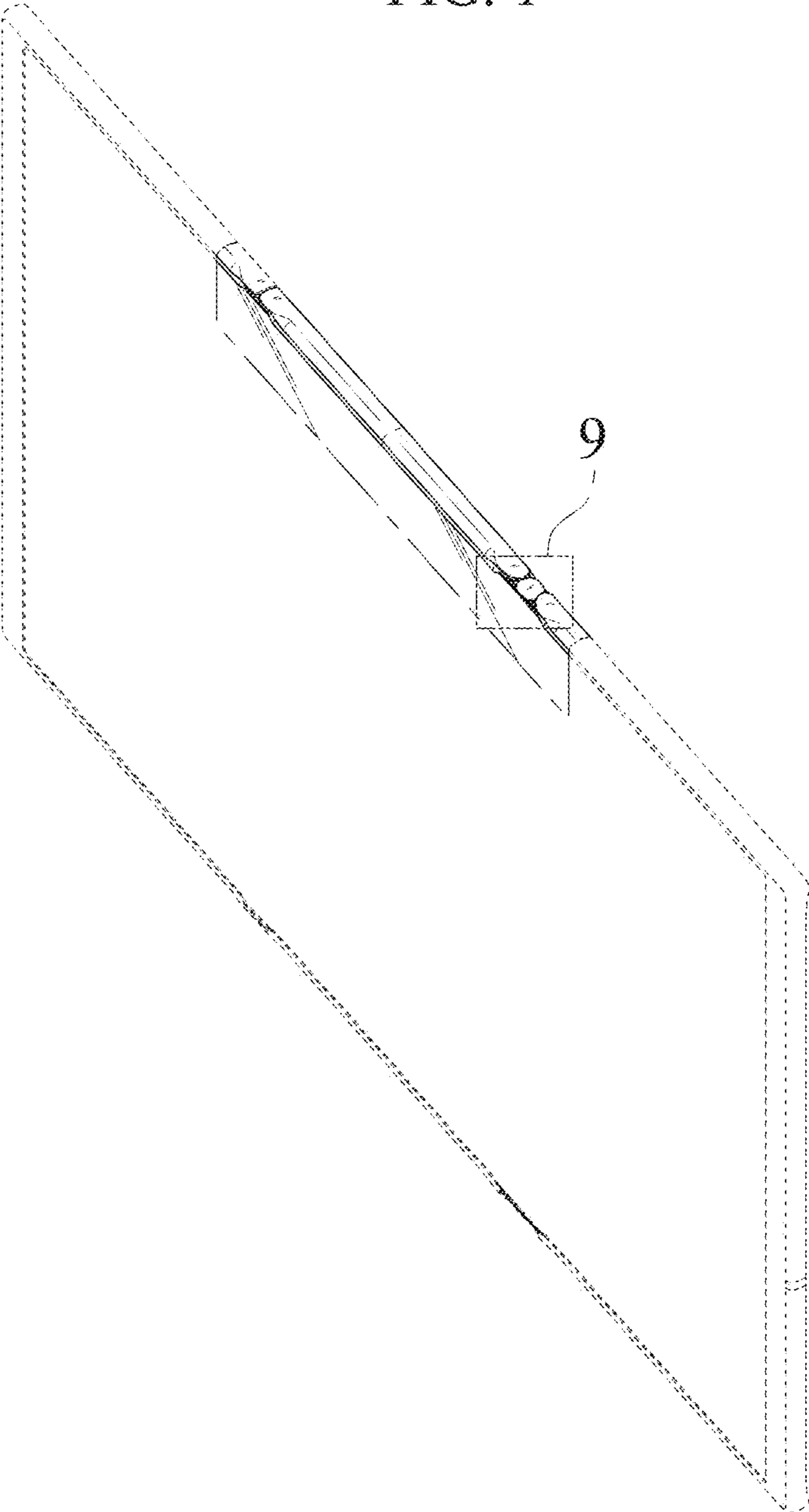


FIG. 2

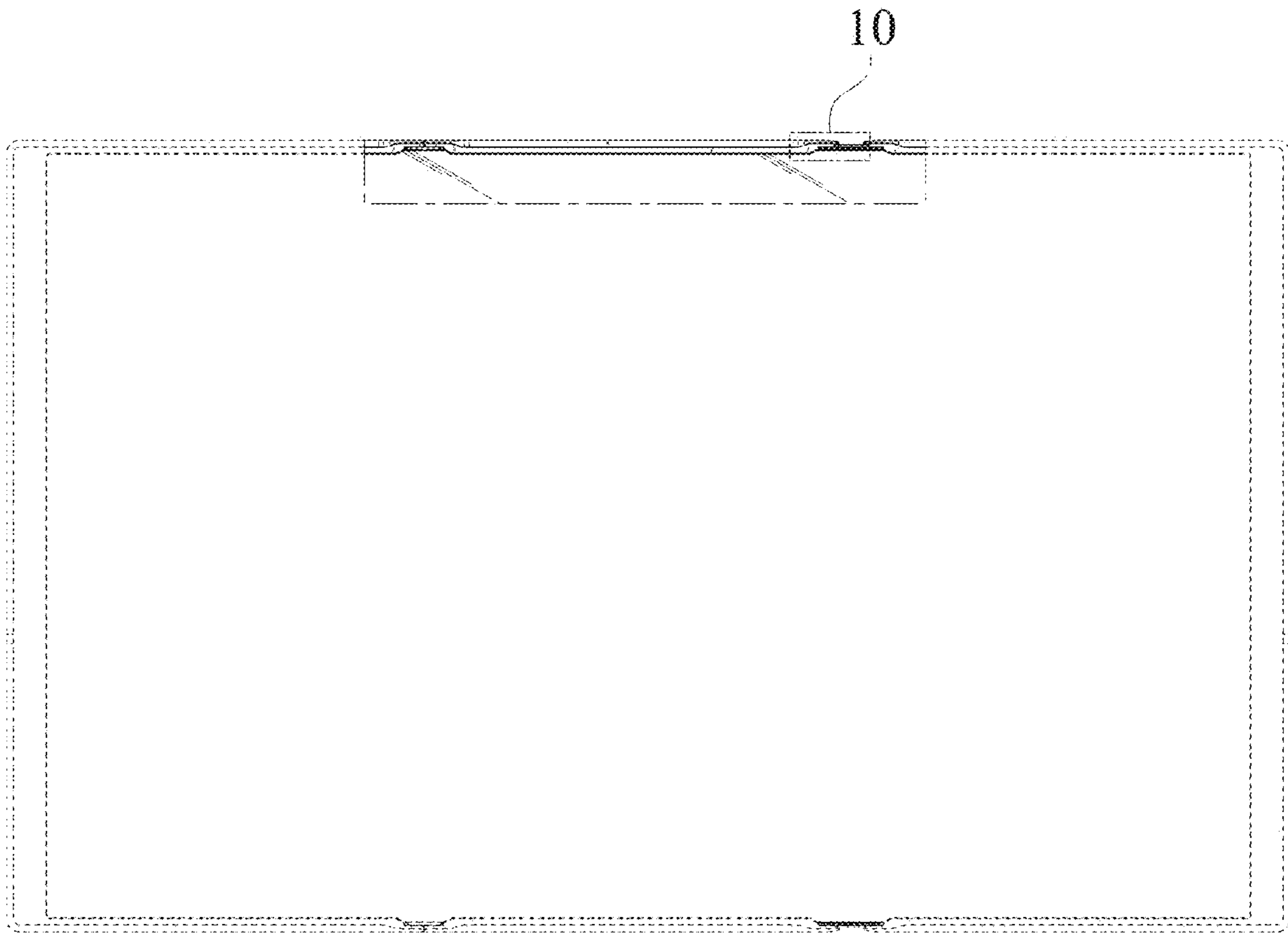


FIG. 3

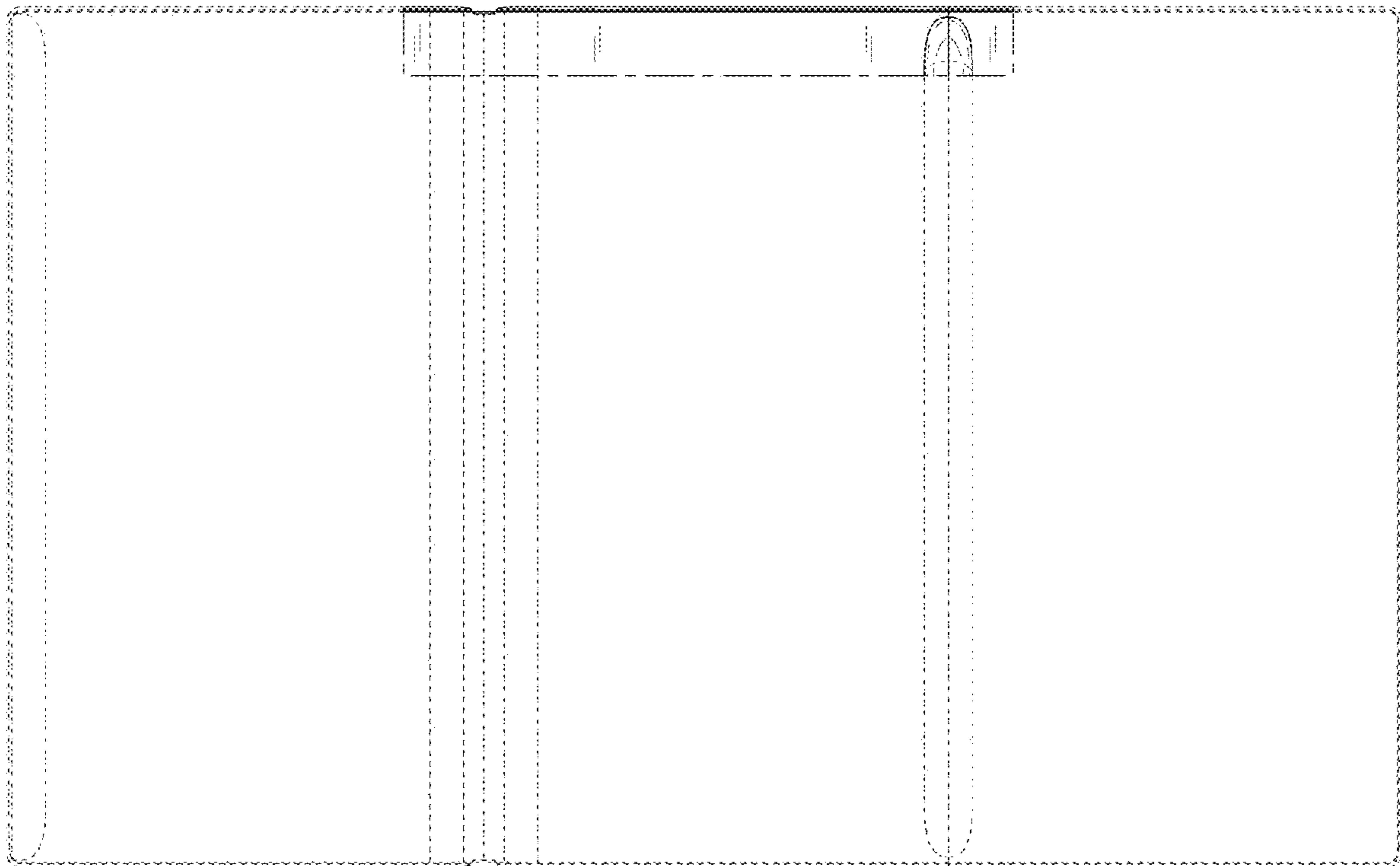


FIG. 4

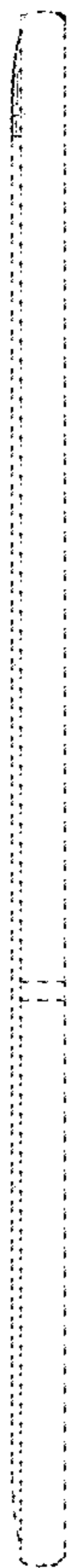


FIG. 5

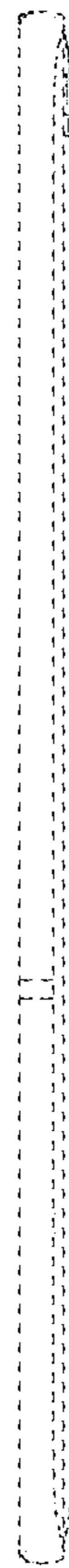


FIG. 6

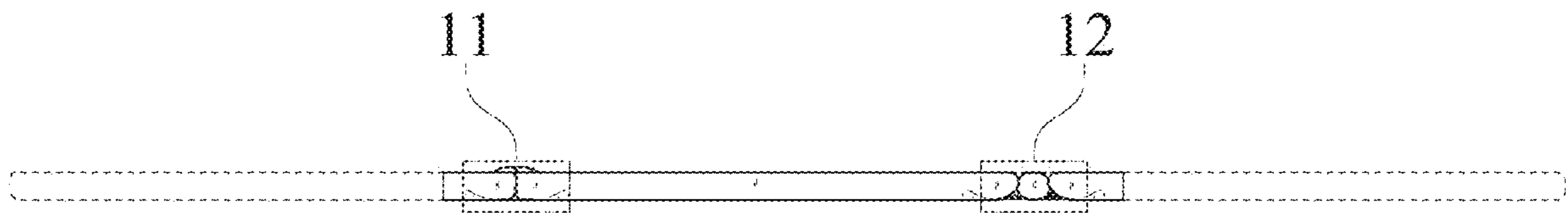


FIG. 7

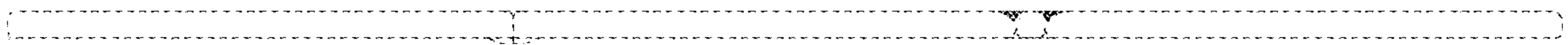


FIG. 8

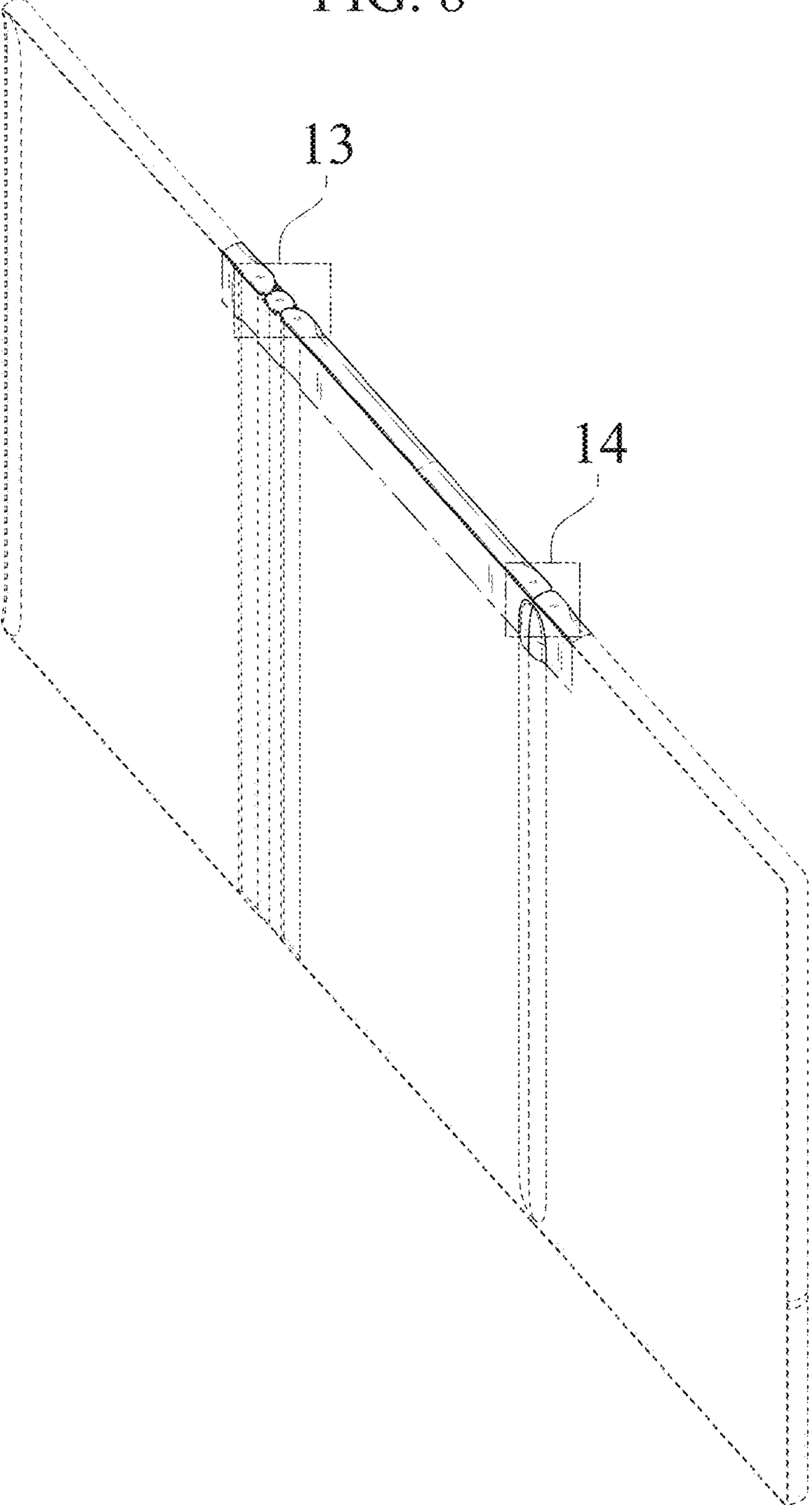


FIG. 9

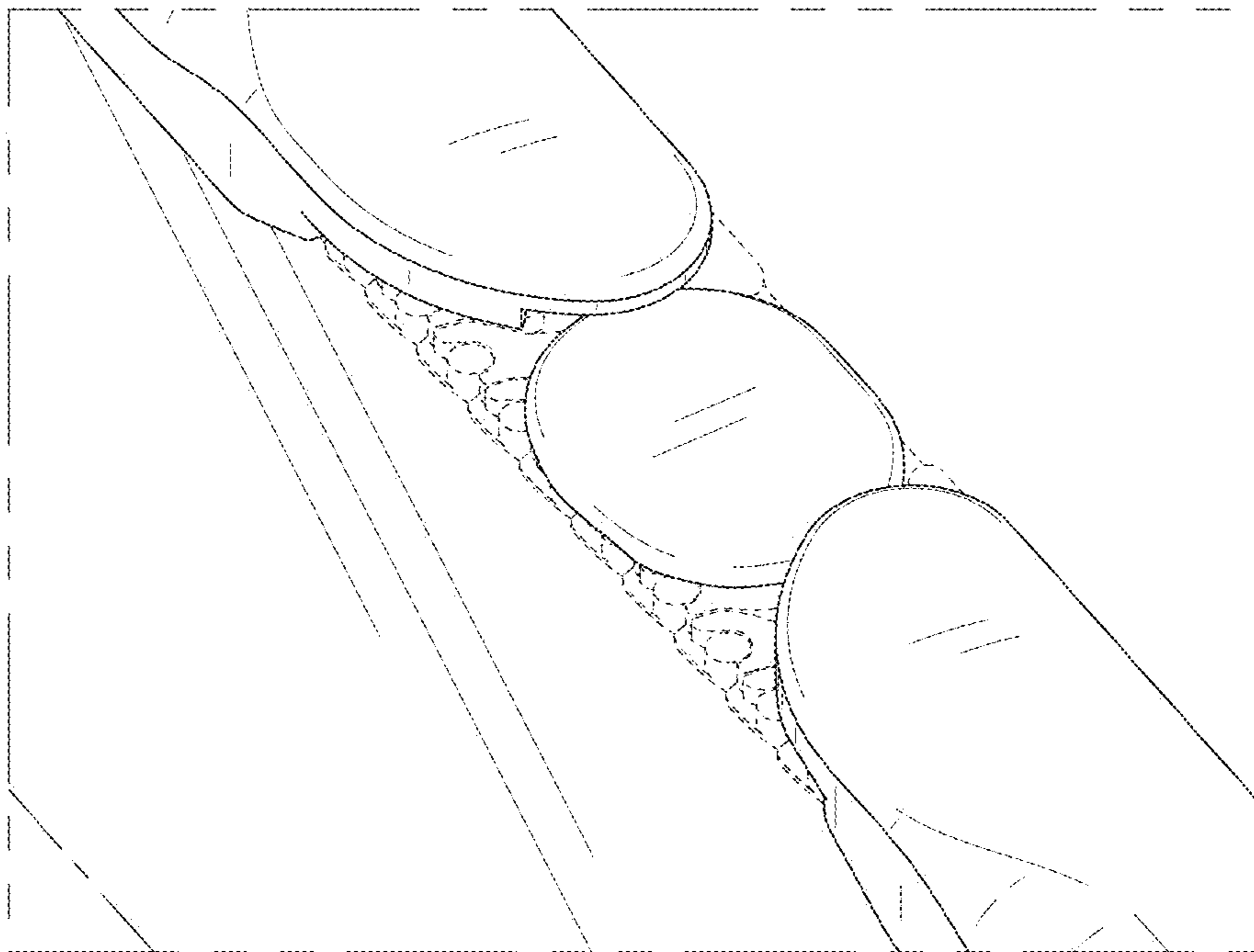


FIG. 10

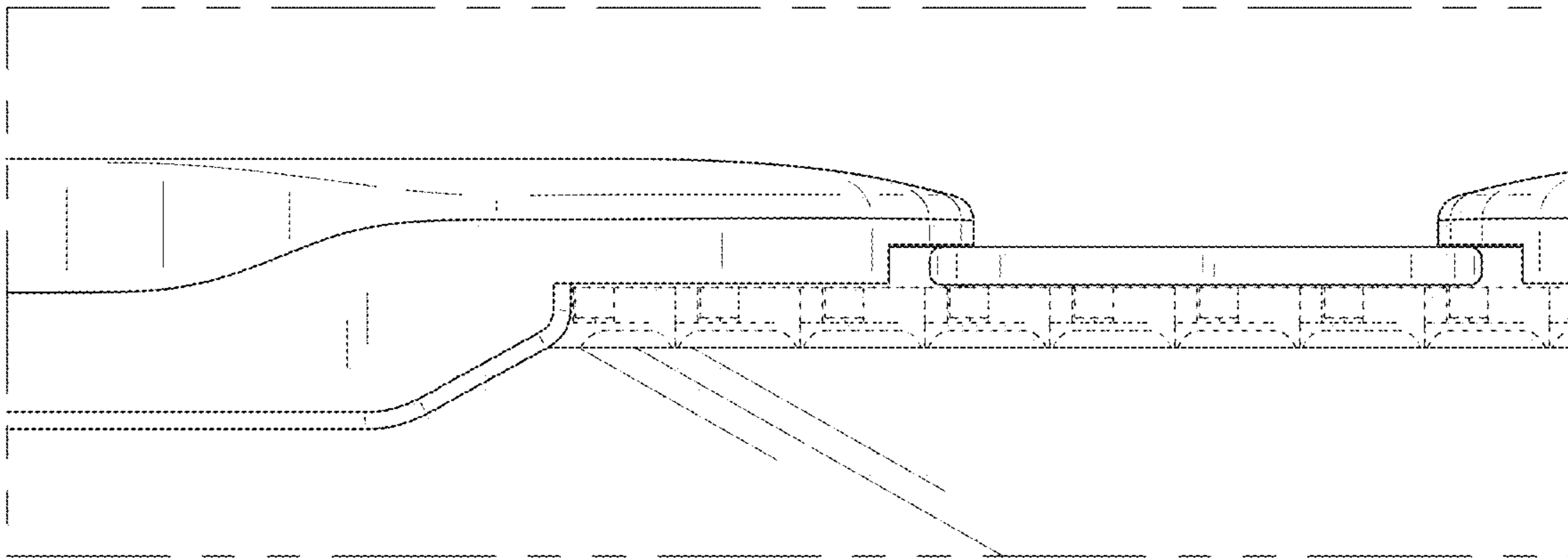


FIG. 11

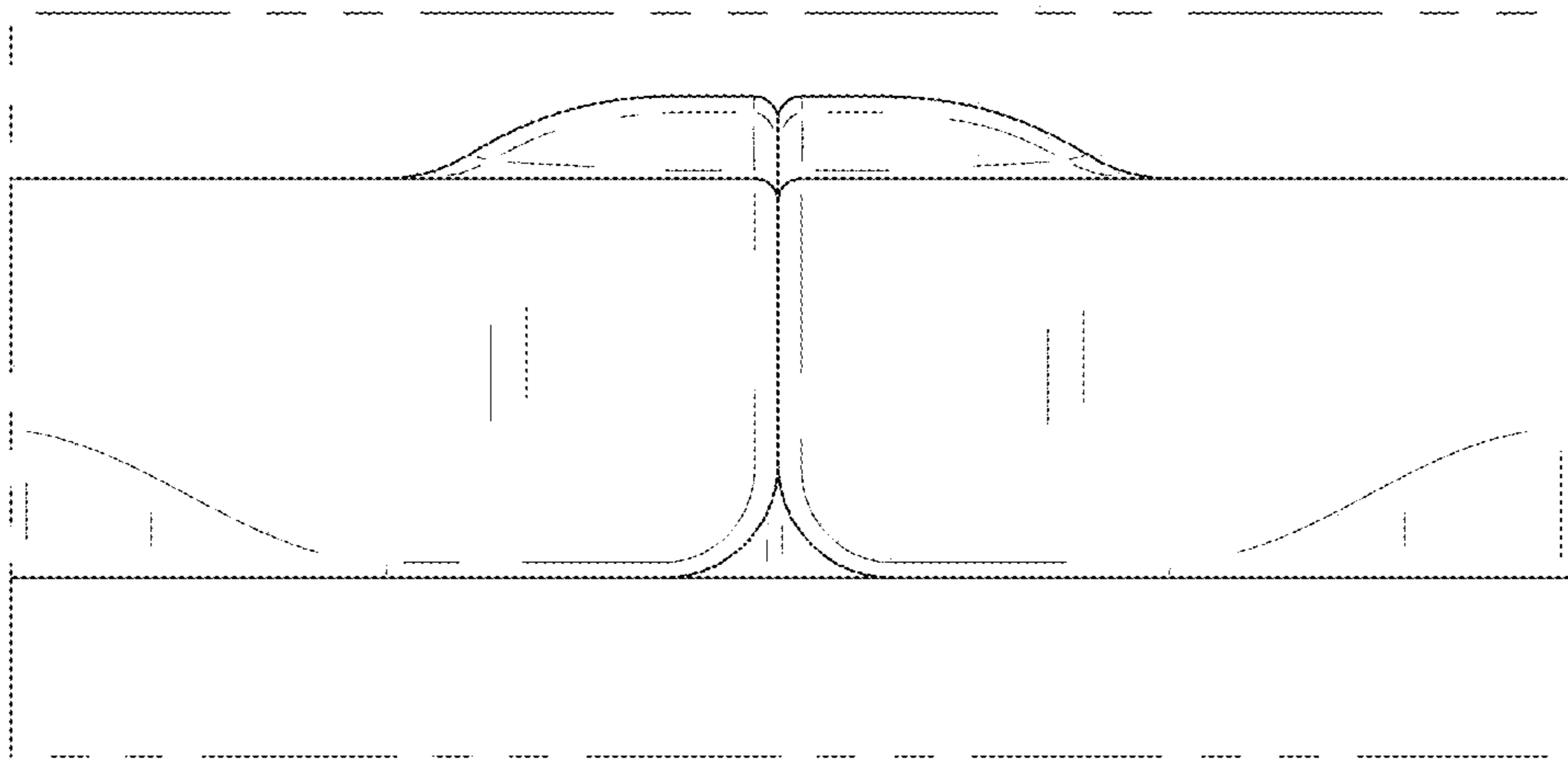


FIG. 12

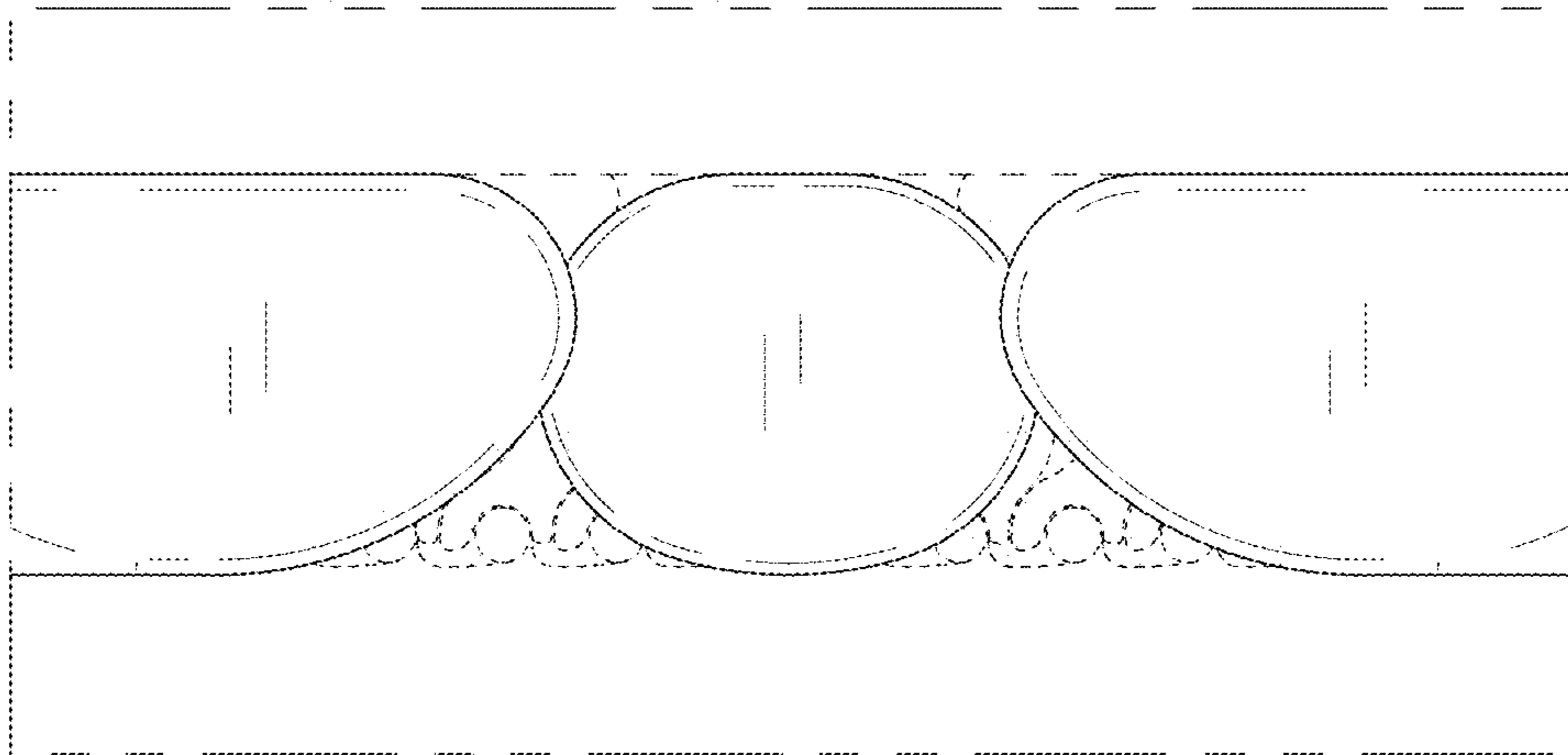


FIG. 13

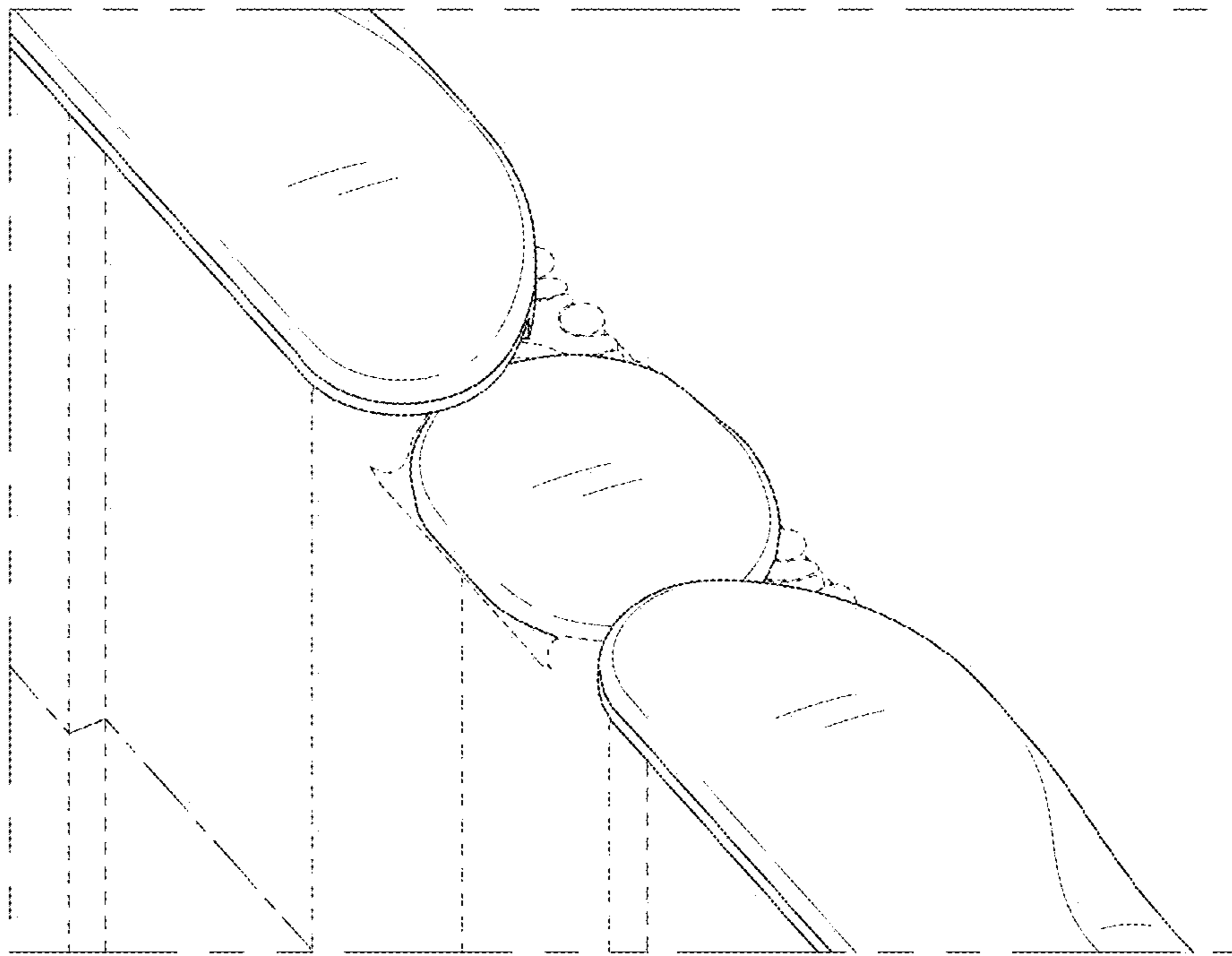


FIG. 14

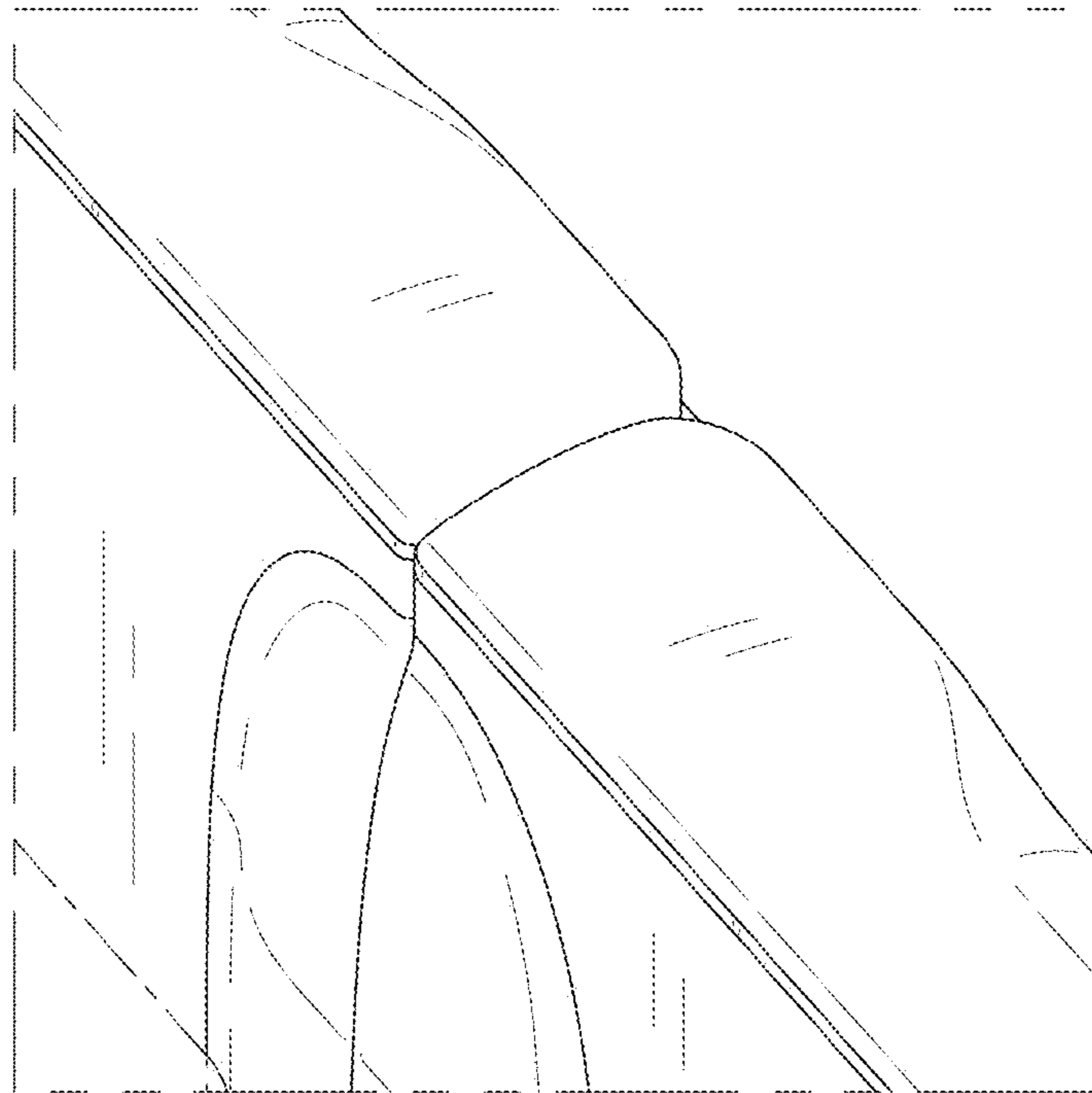


FIG. 15

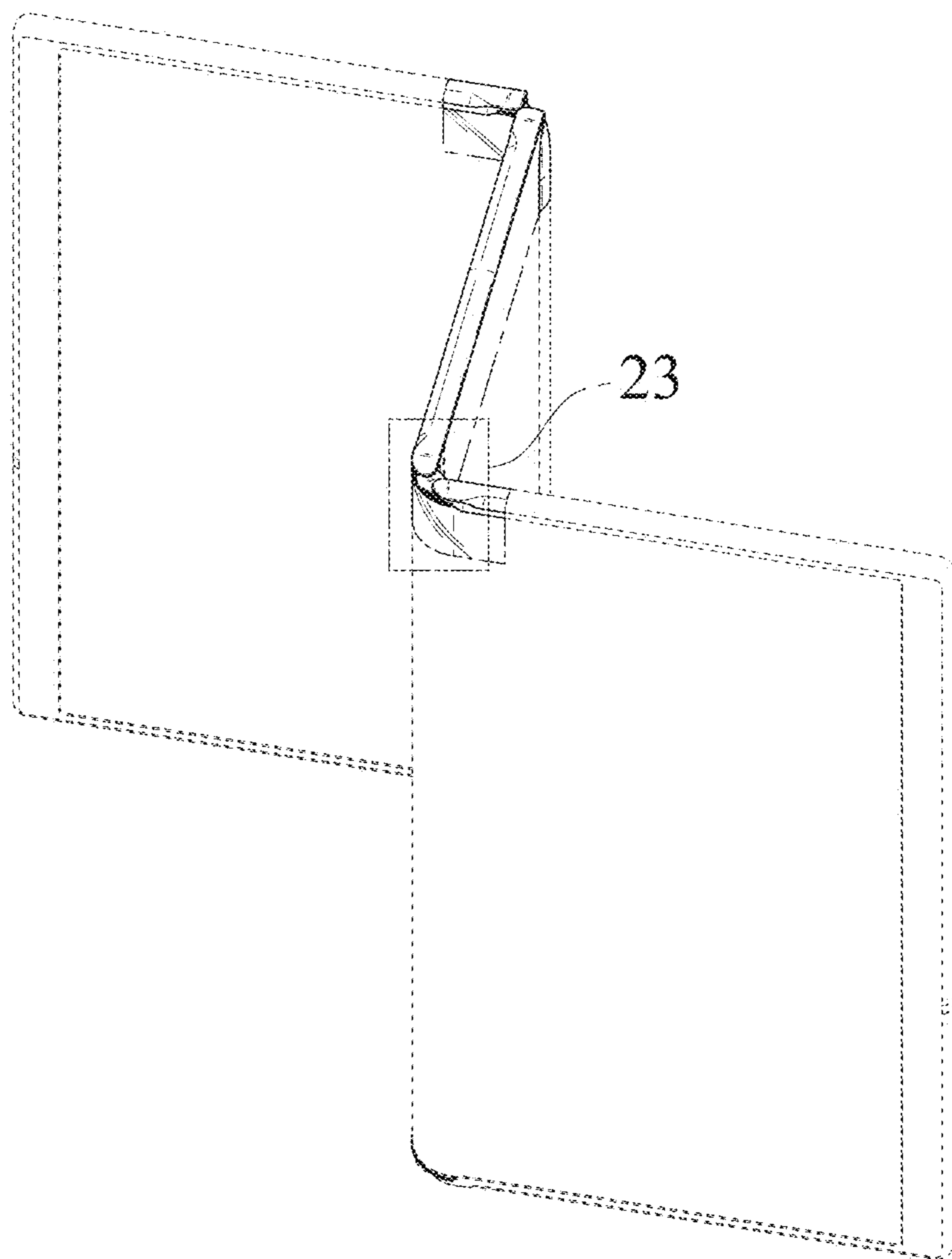


FIG. 16

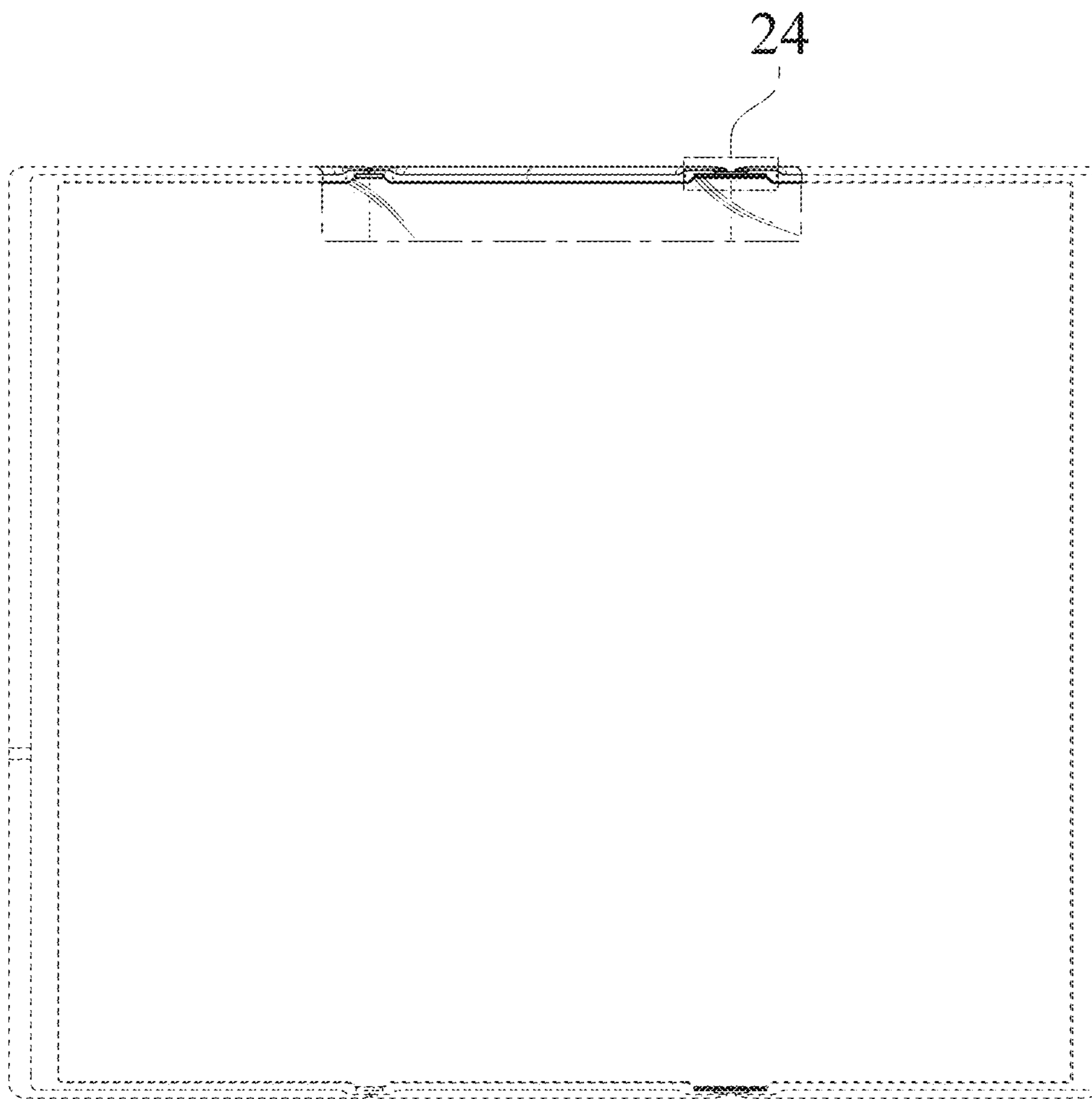


FIG. 17

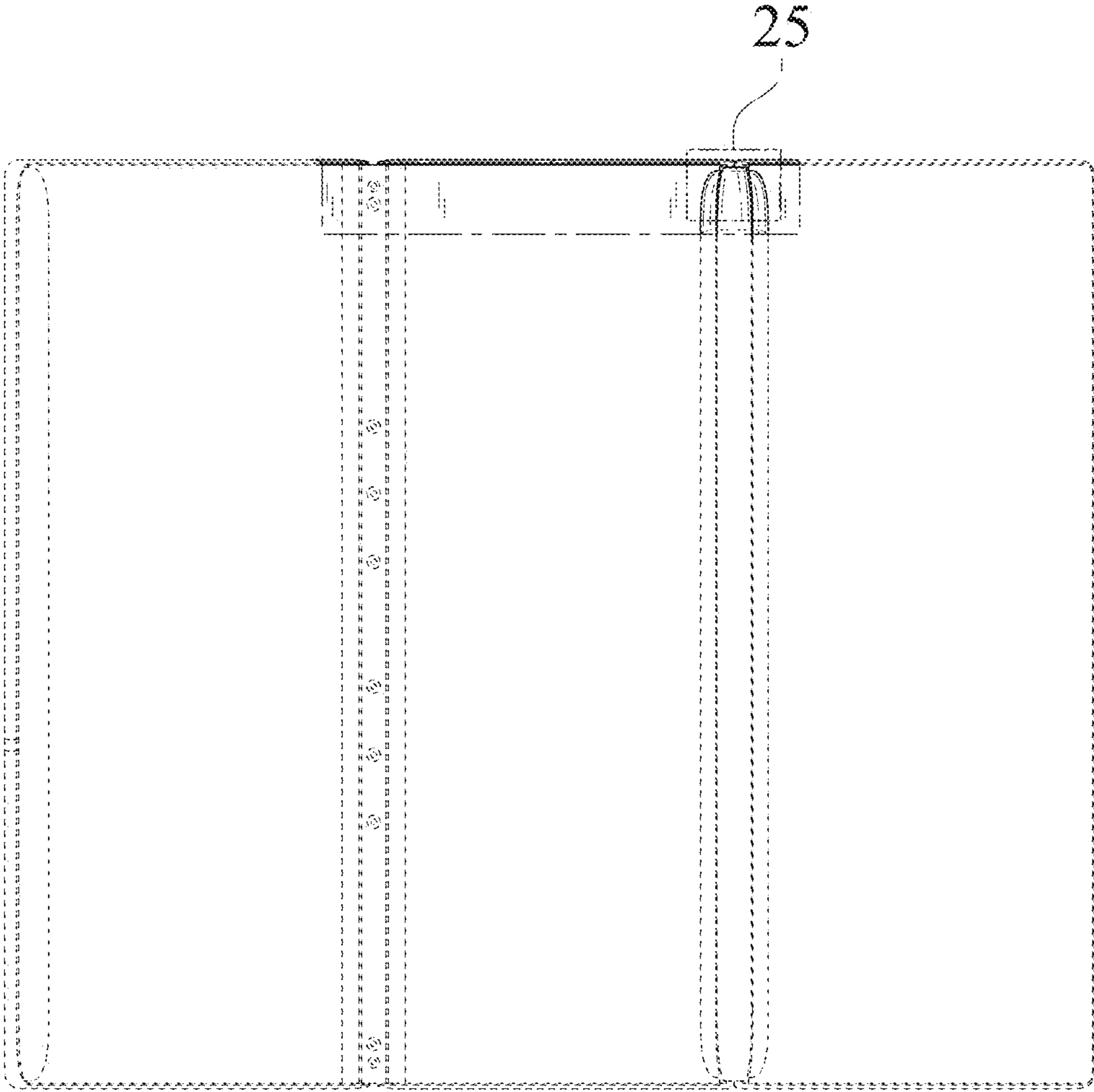


FIG. 18

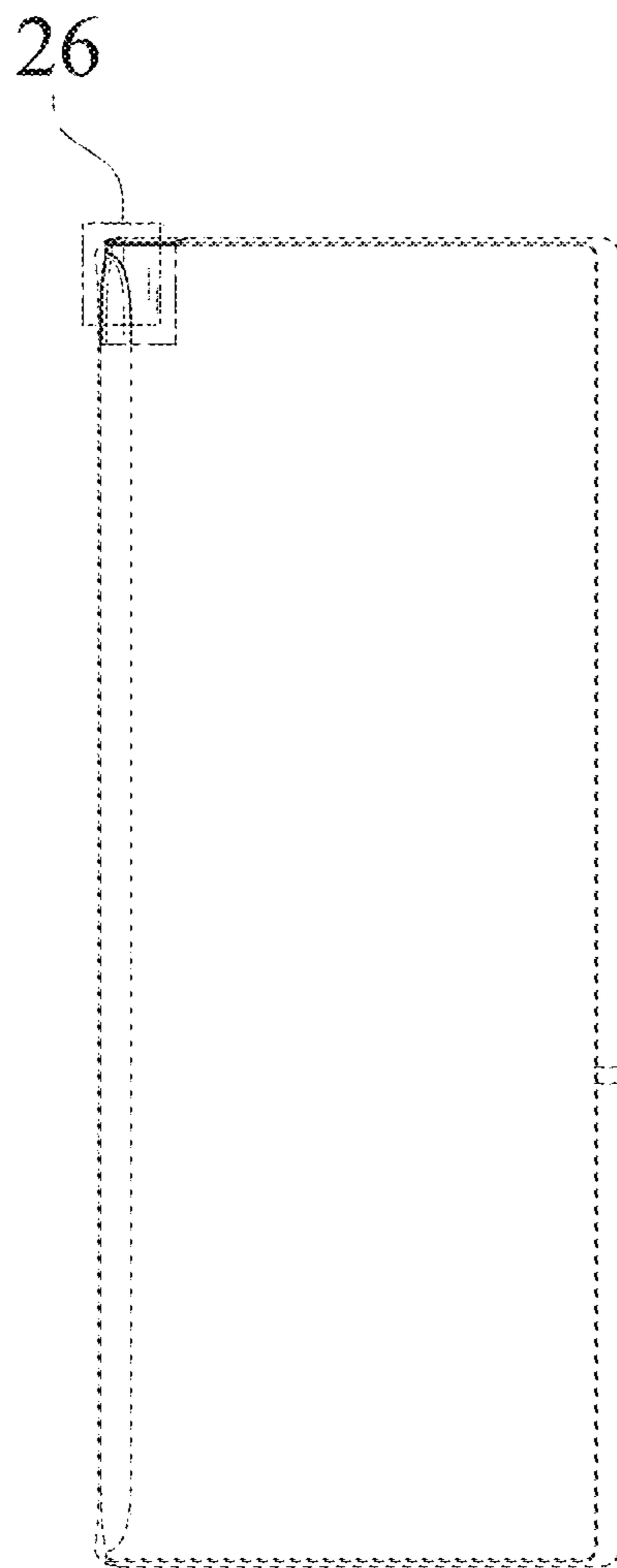


FIG. 19

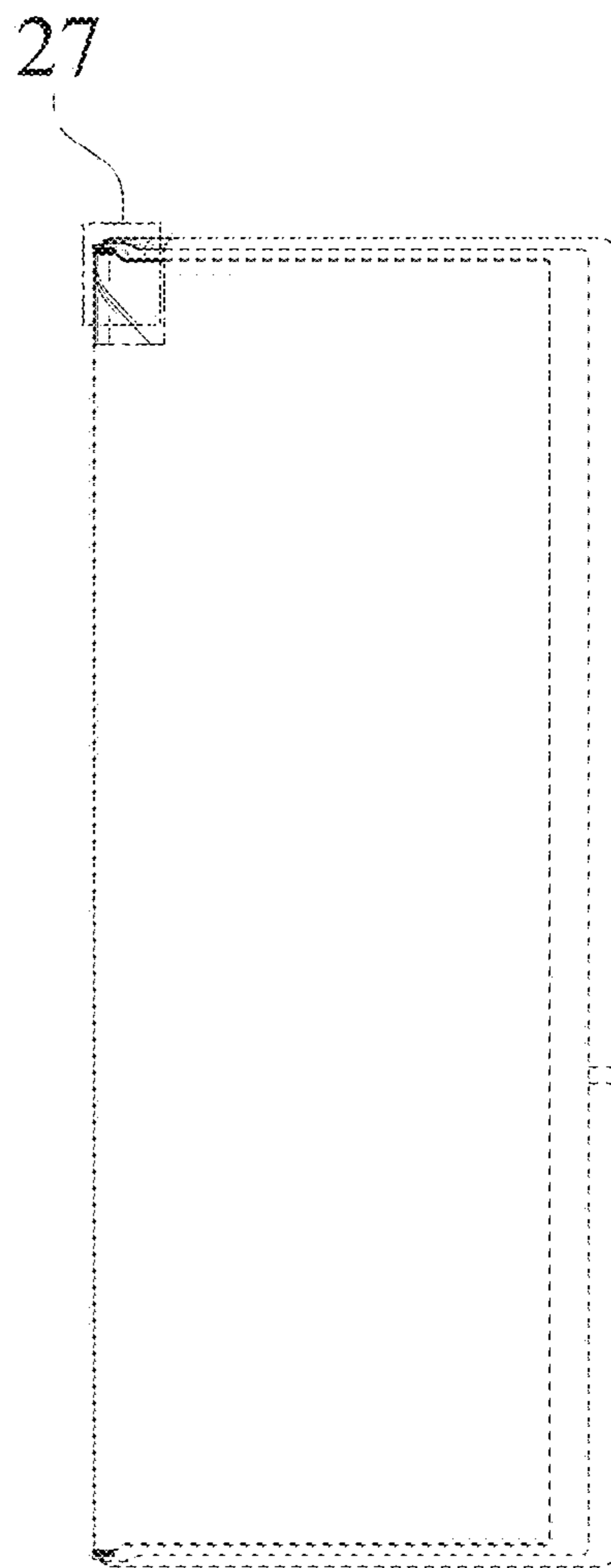


FIG. 20

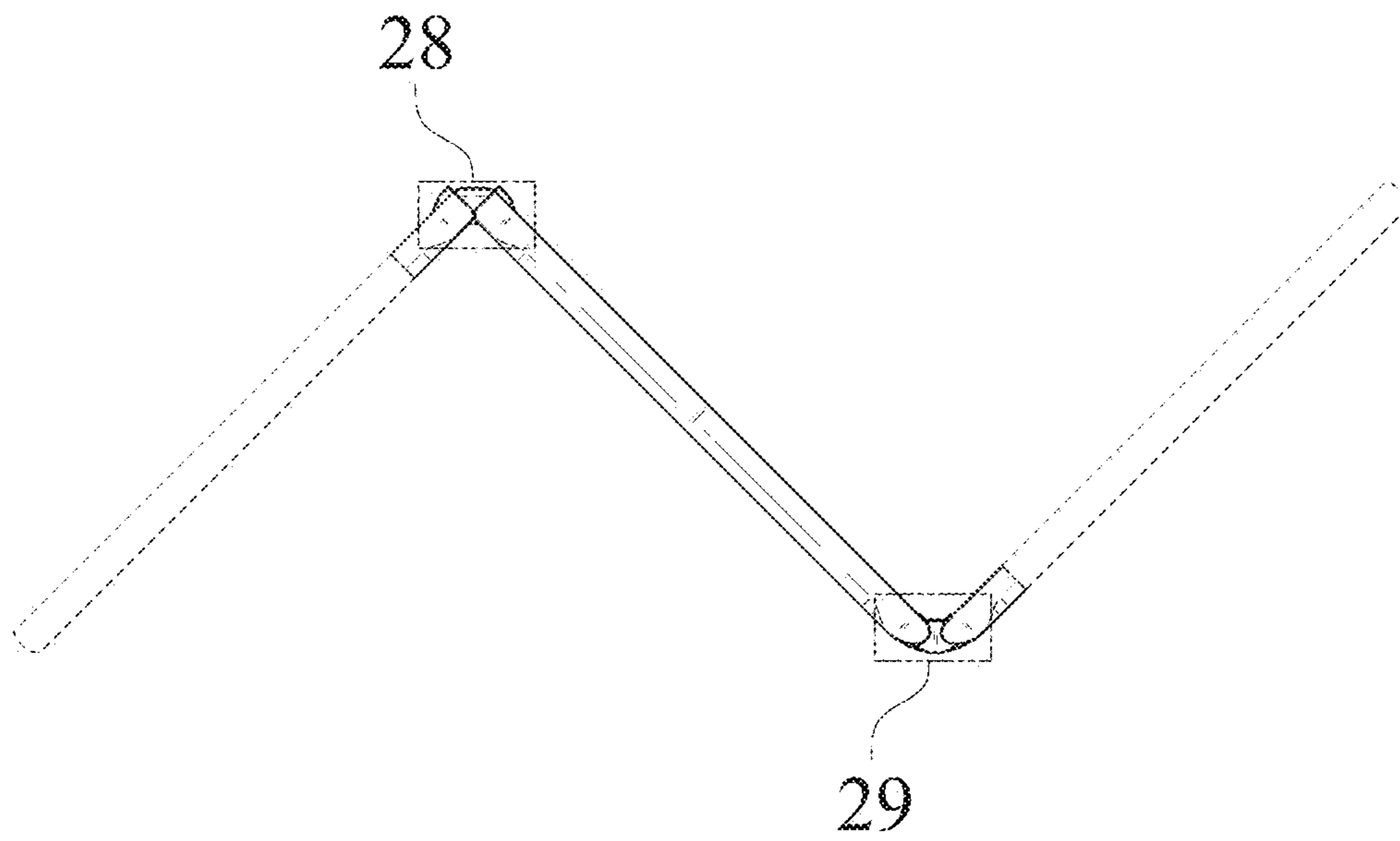


FIG. 21

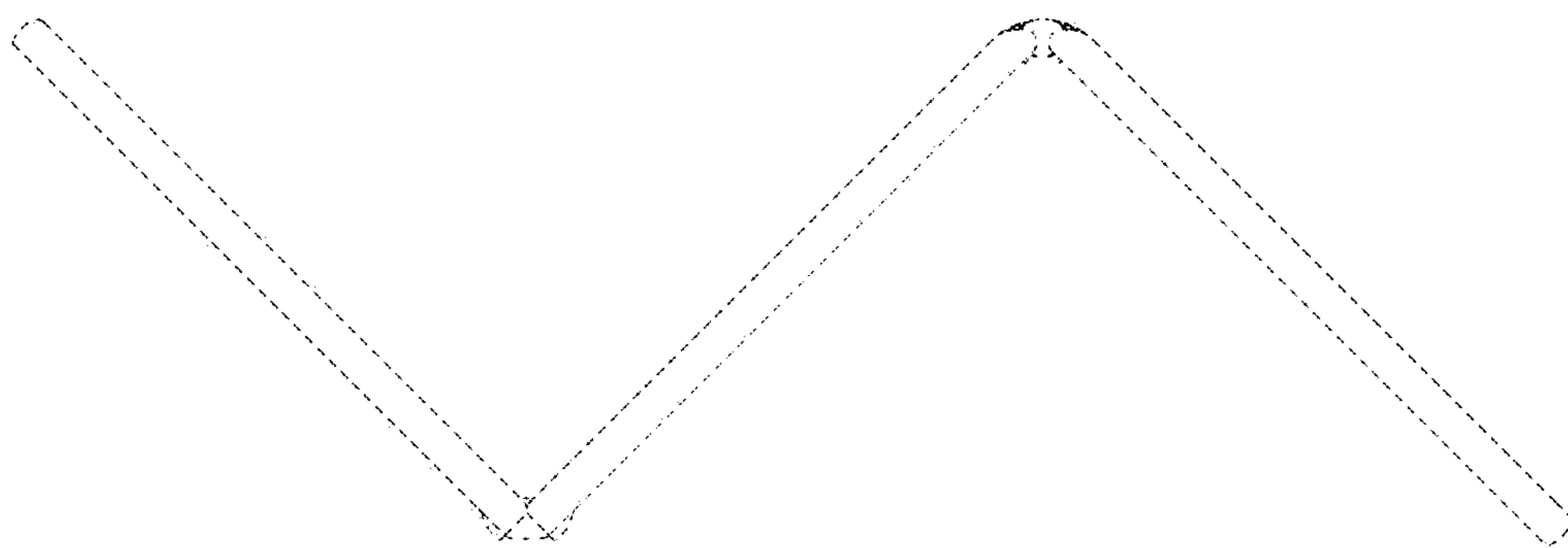


FIG. 22

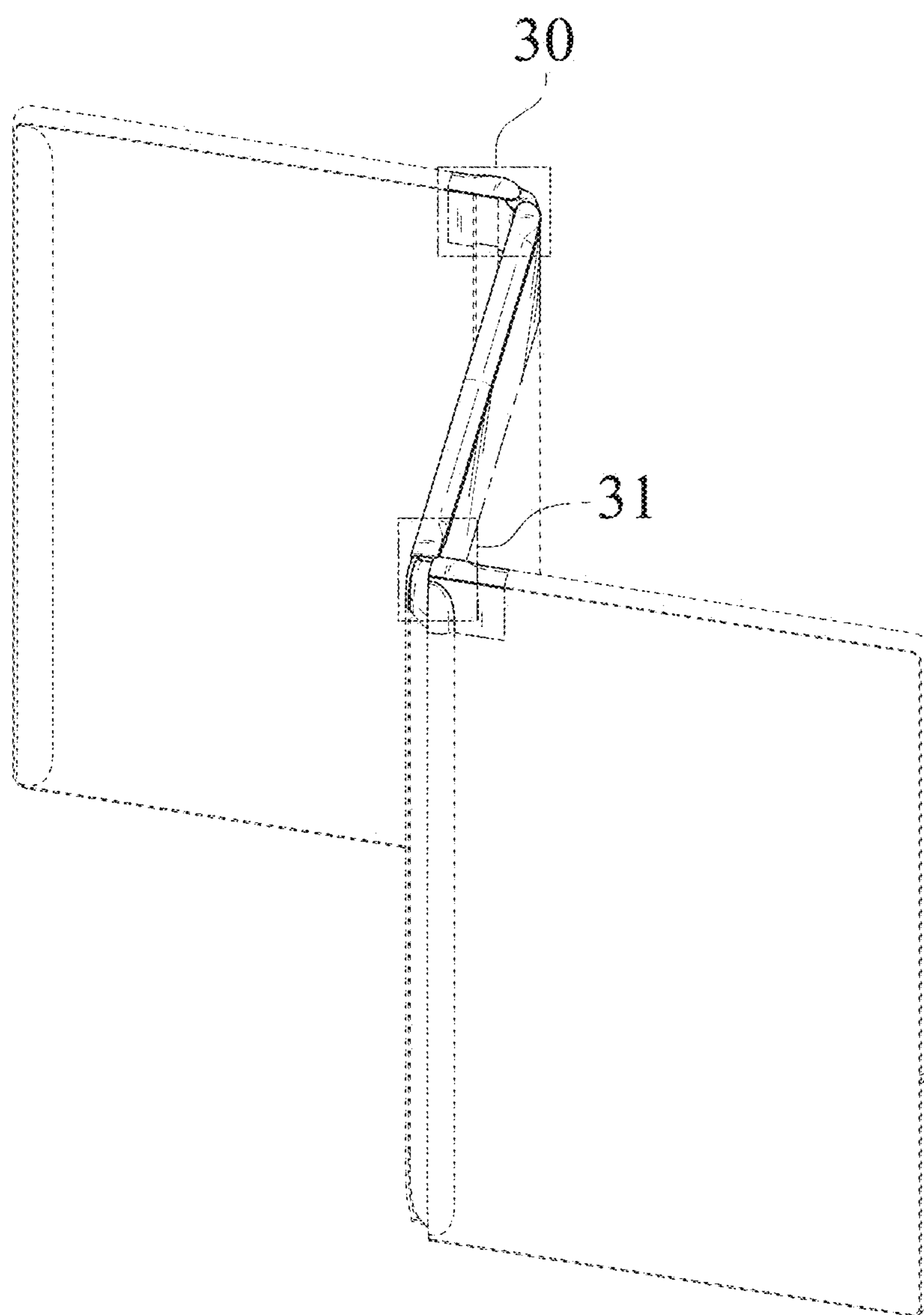


FIG. 23

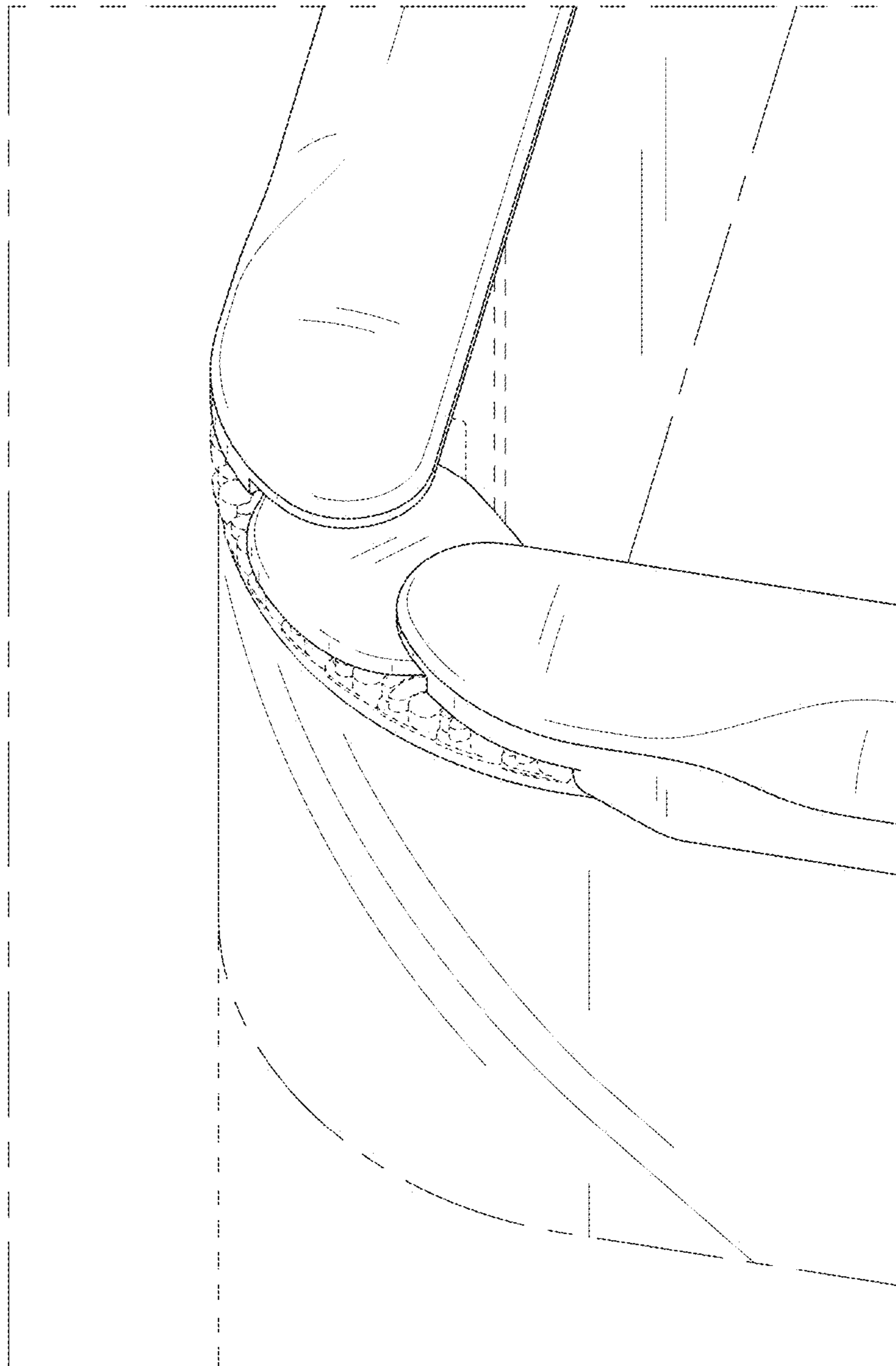


FIG. 24

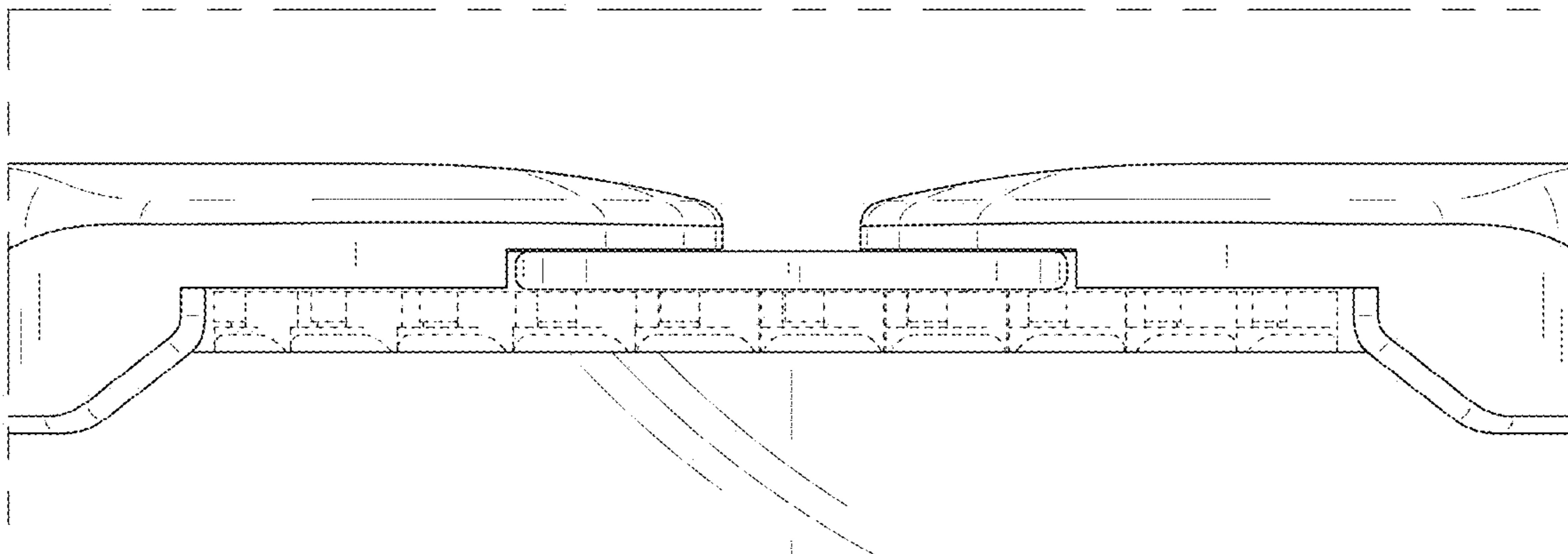


FIG. 25

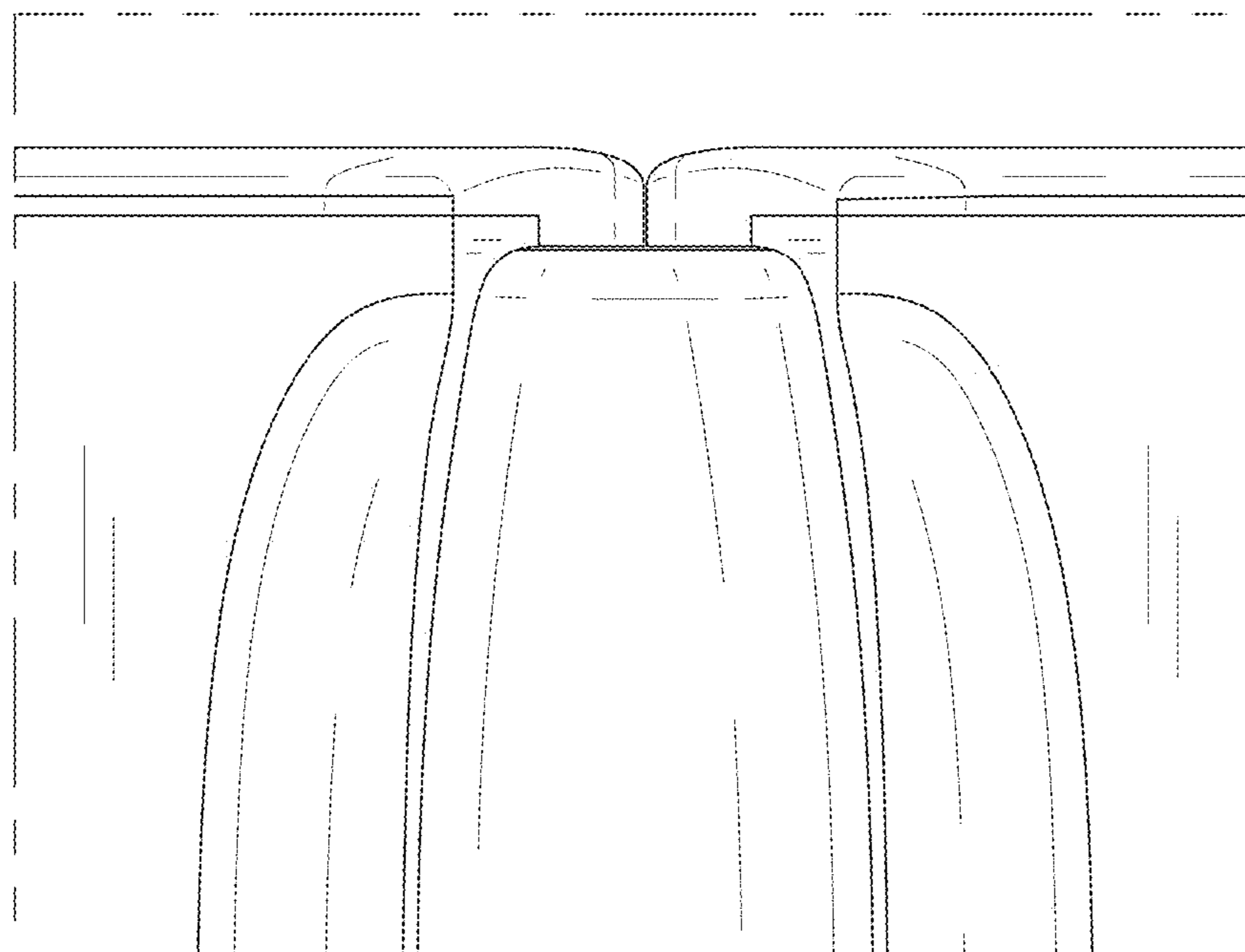


FIG. 26

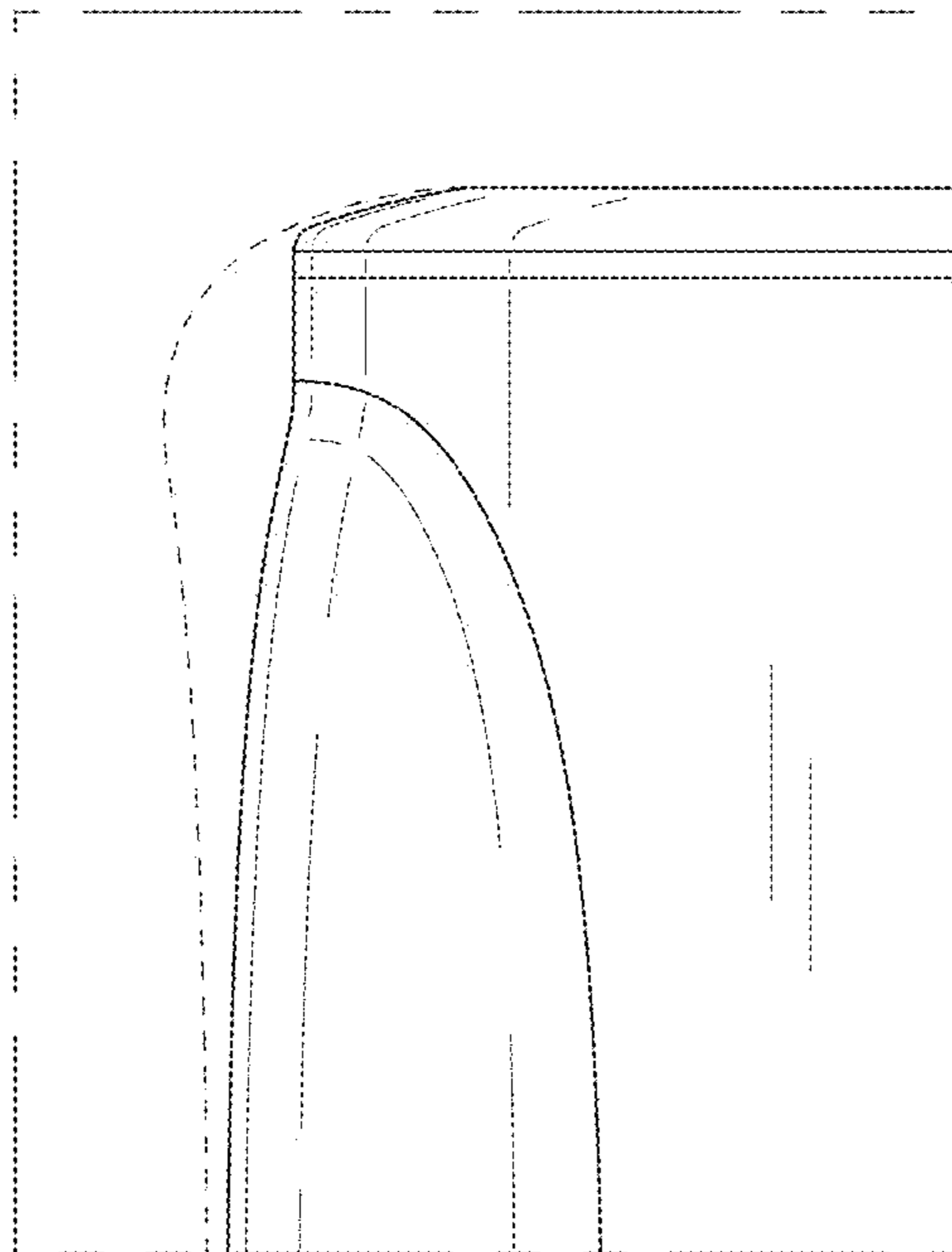


FIG. 27

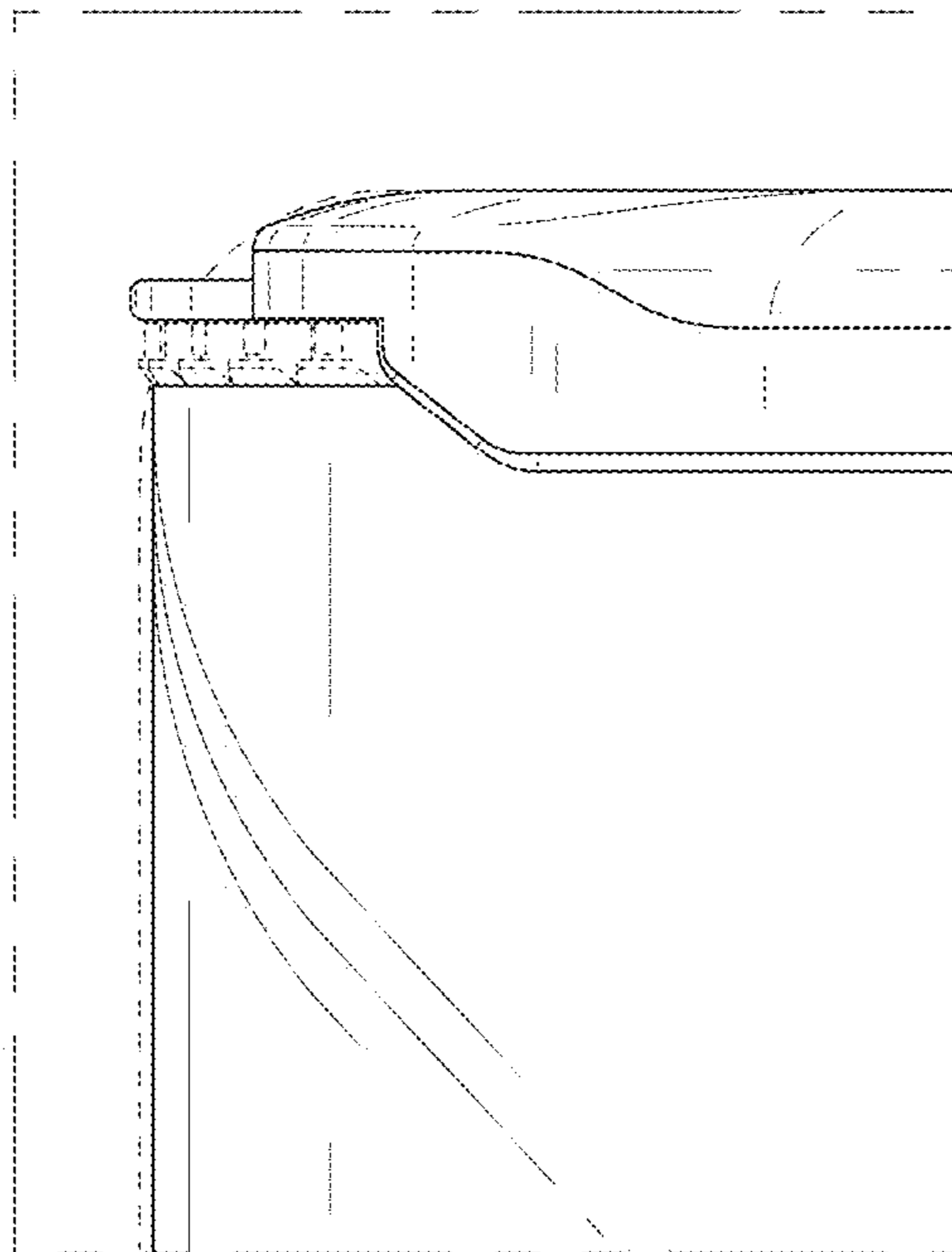


FIG. 28

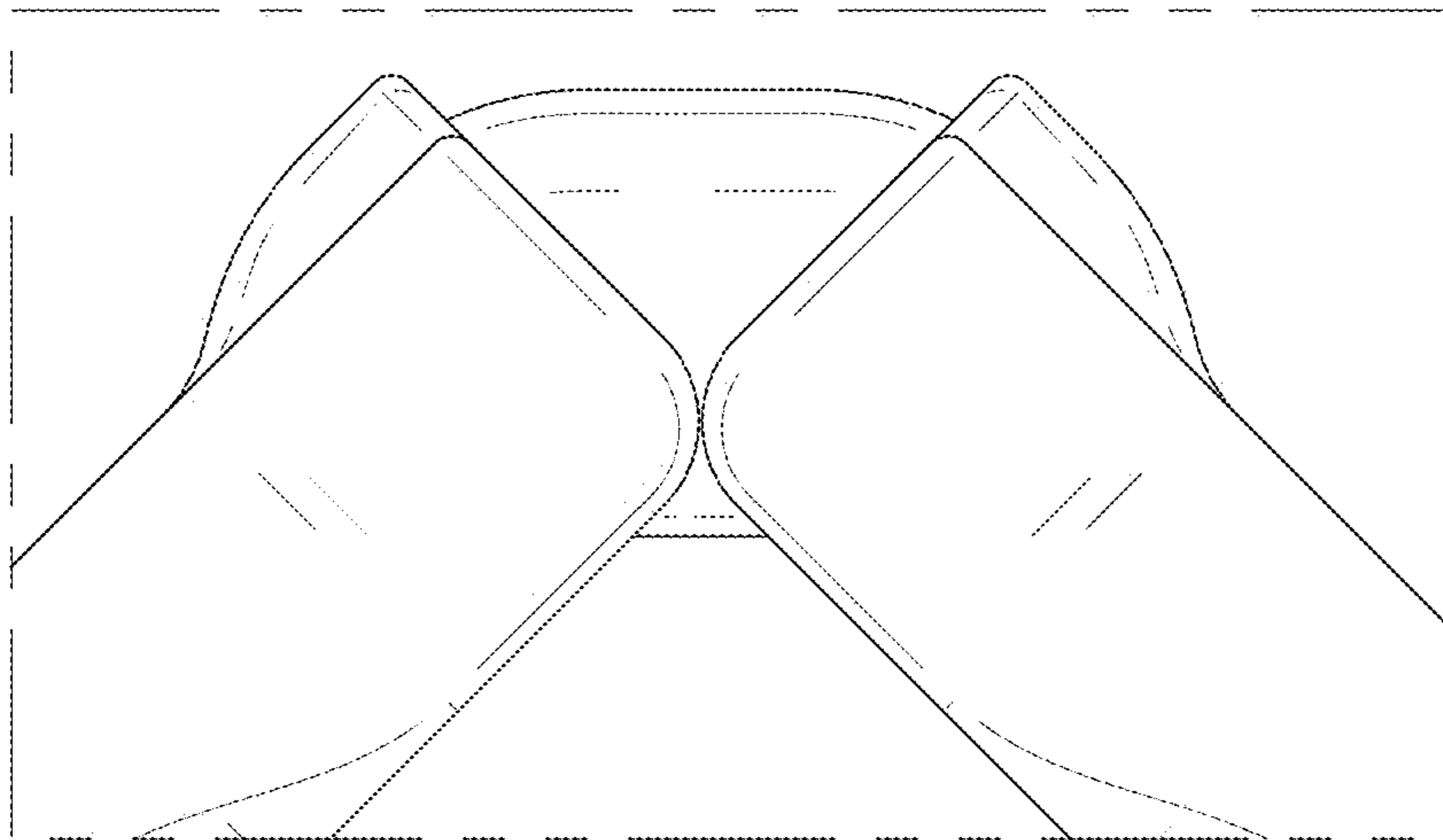


FIG. 29

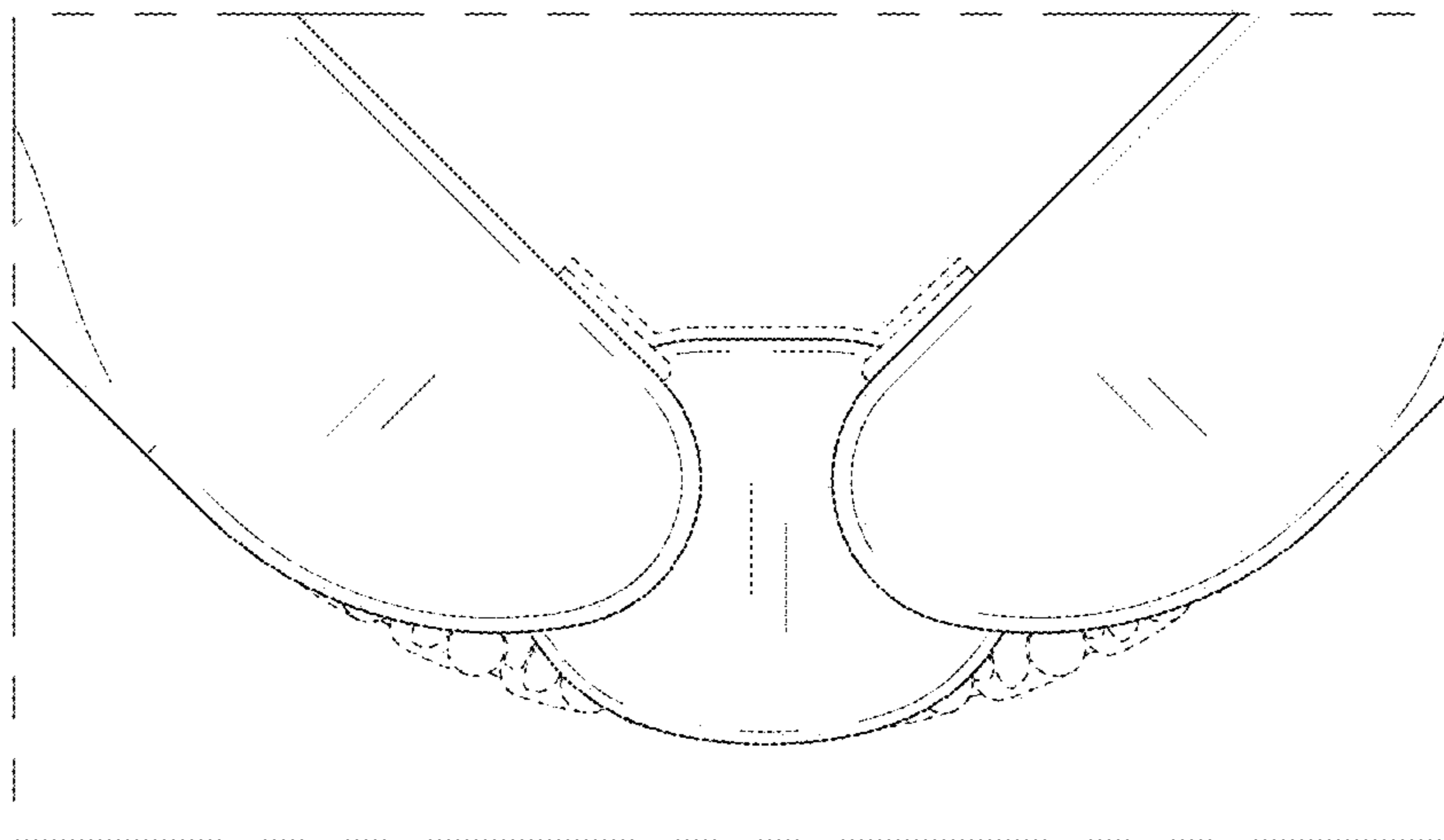


FIG. 30

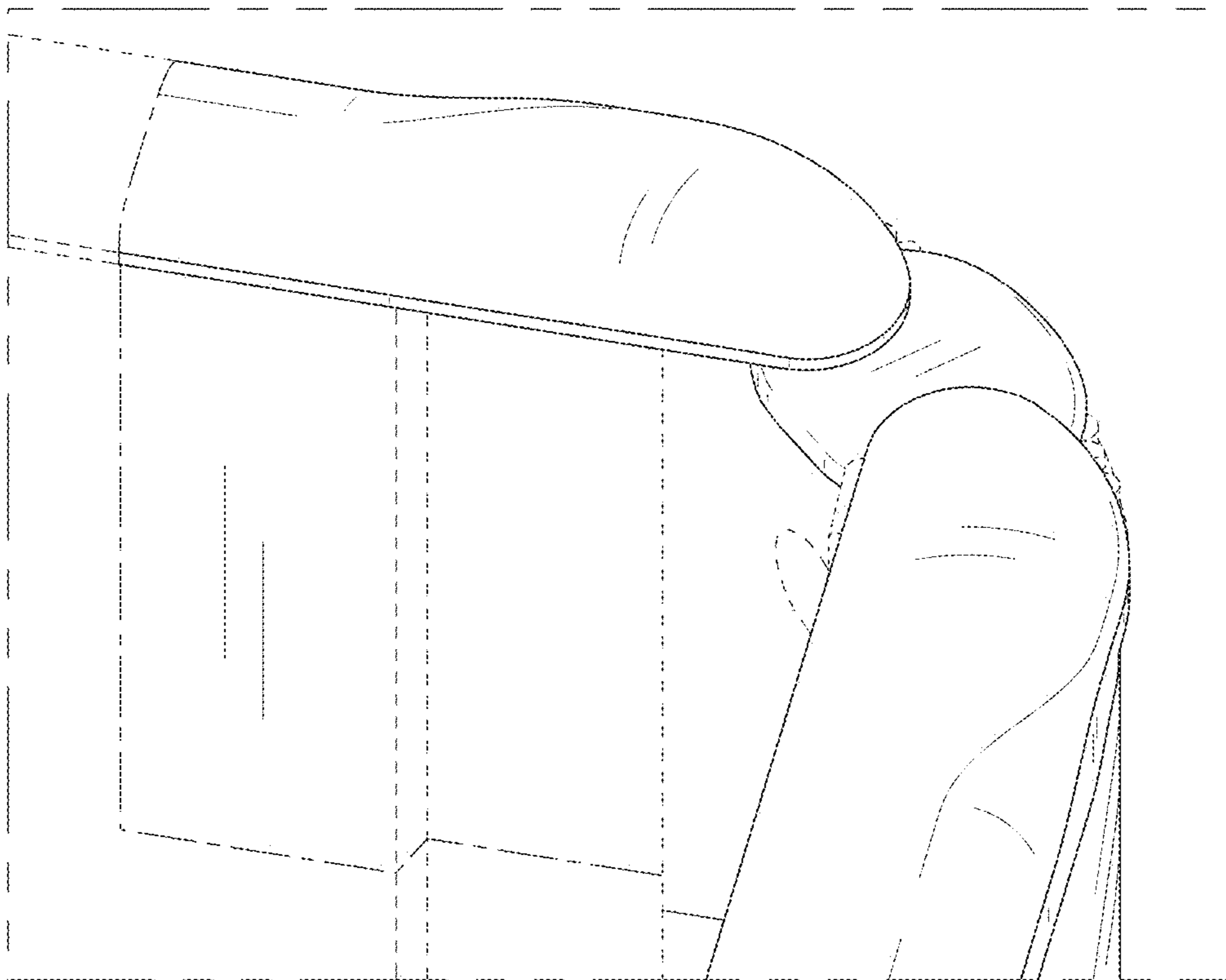


FIG. 31

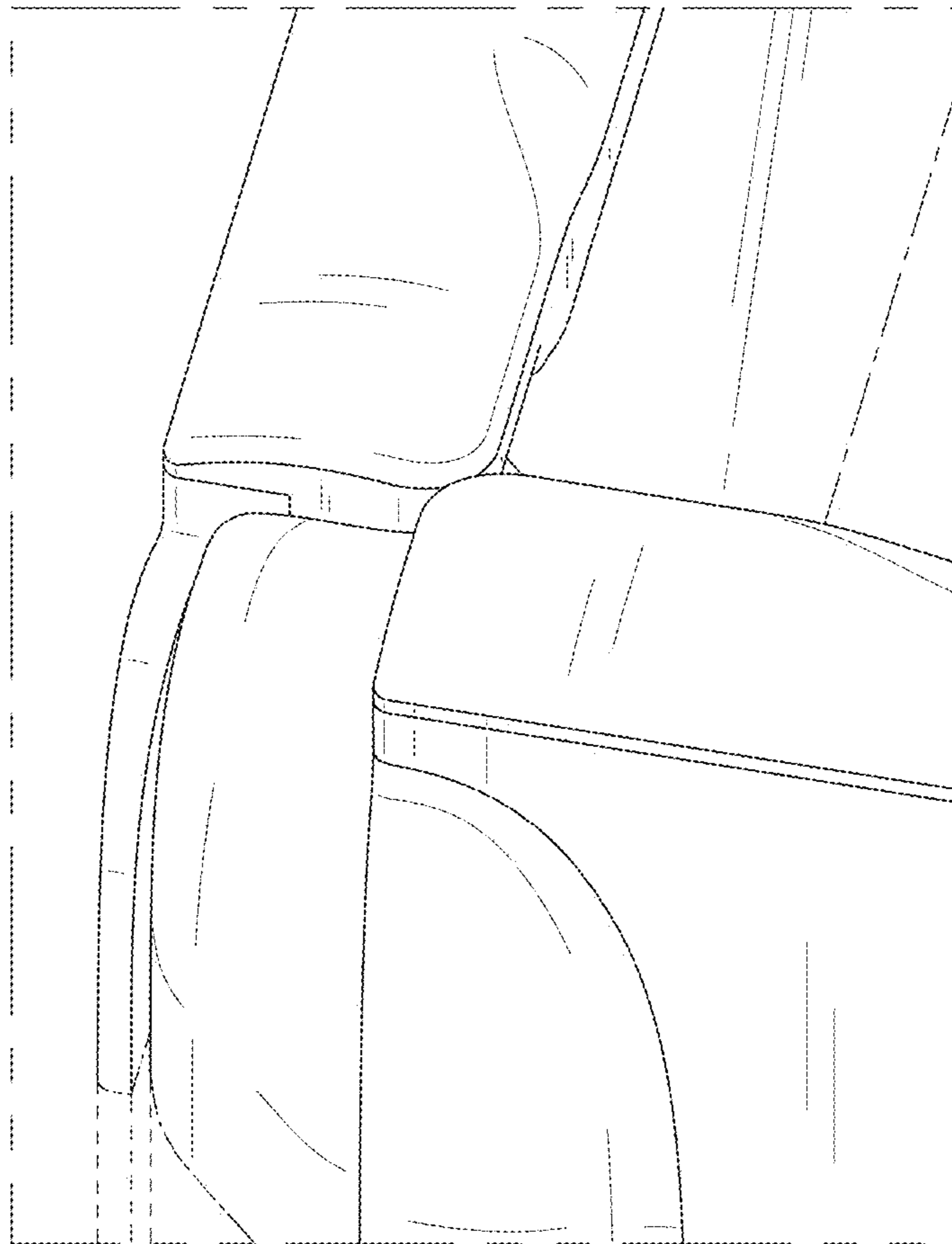


FIG. 32

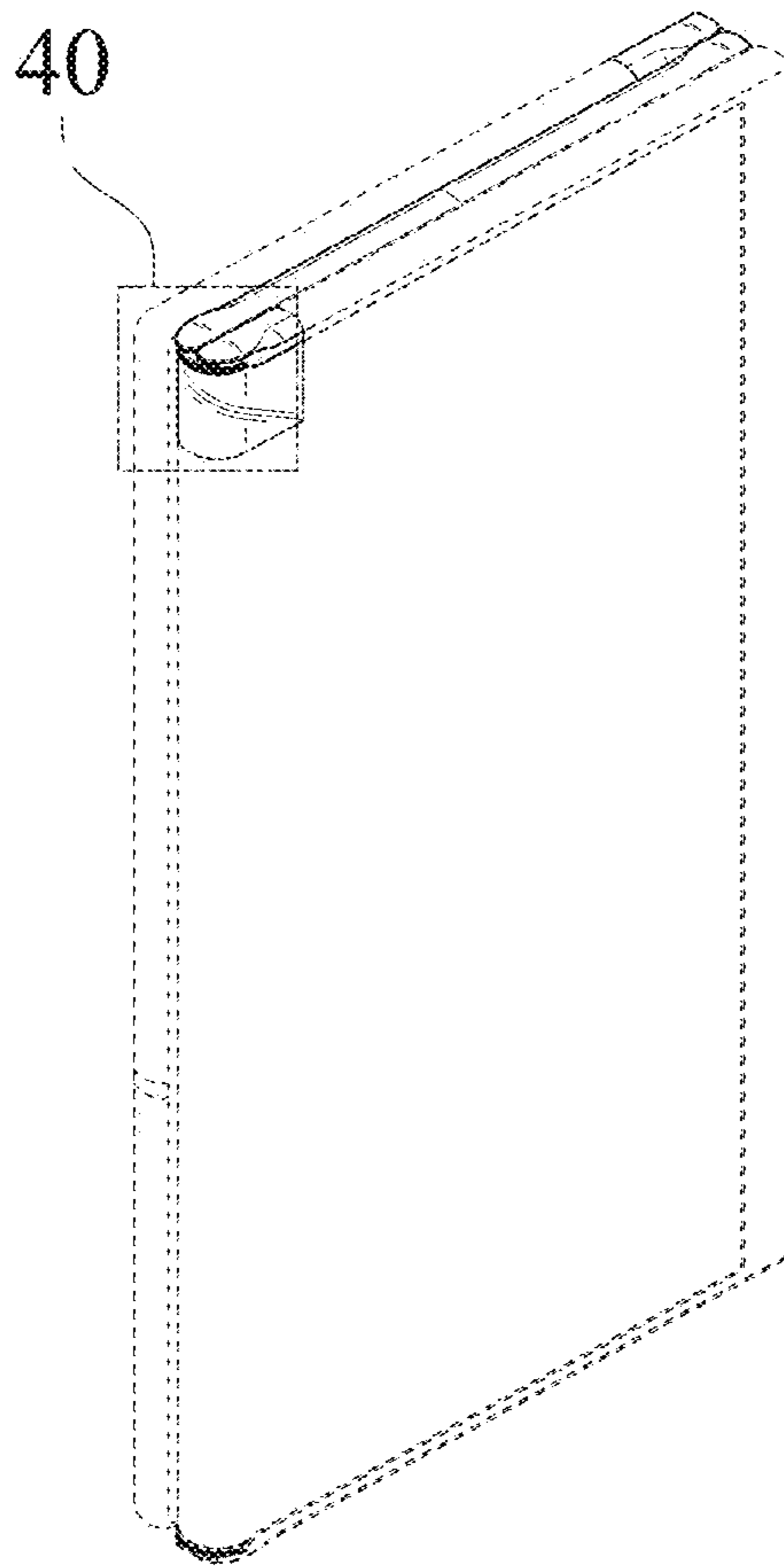


FIG. 33

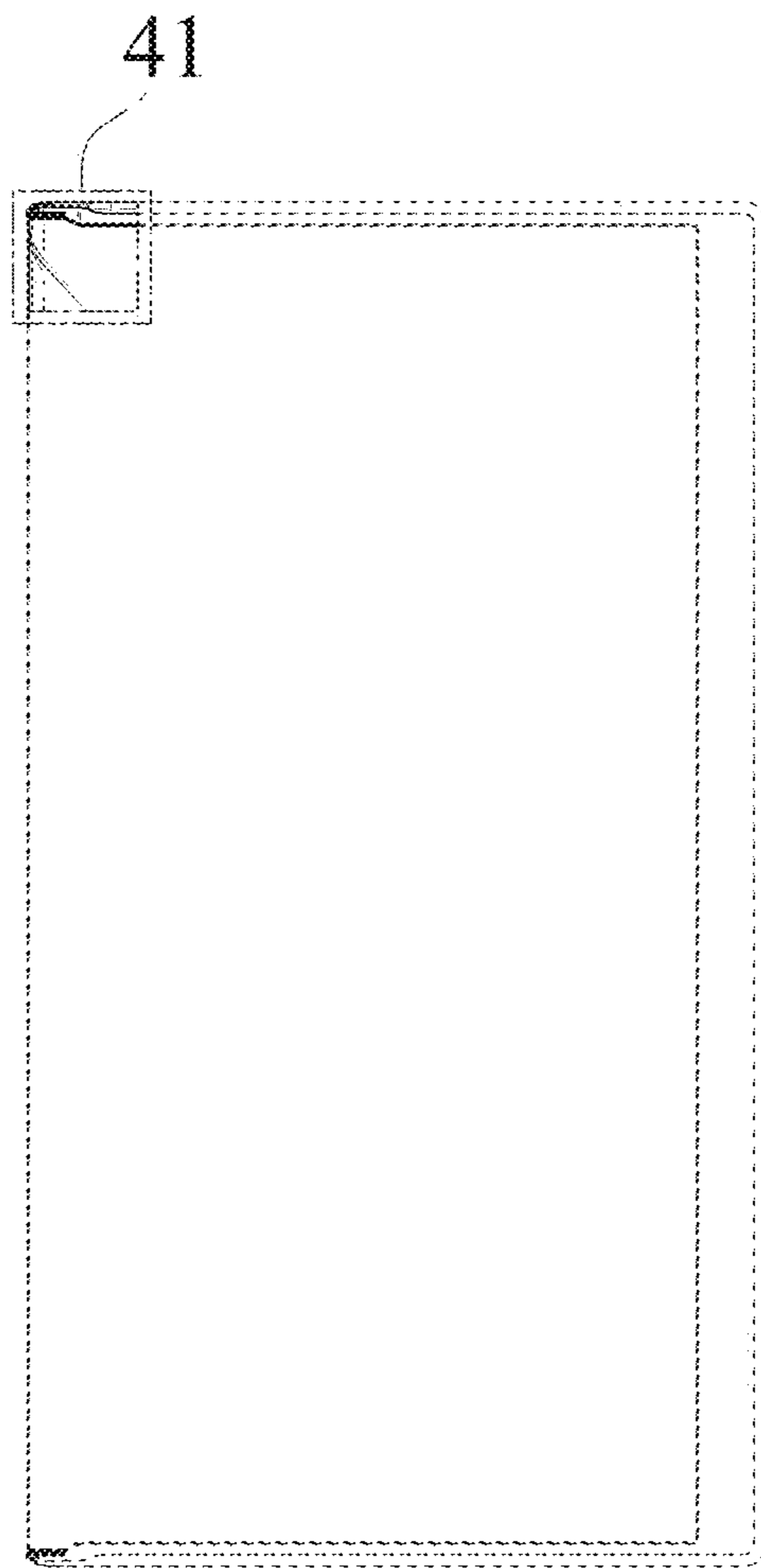


FIG. 34

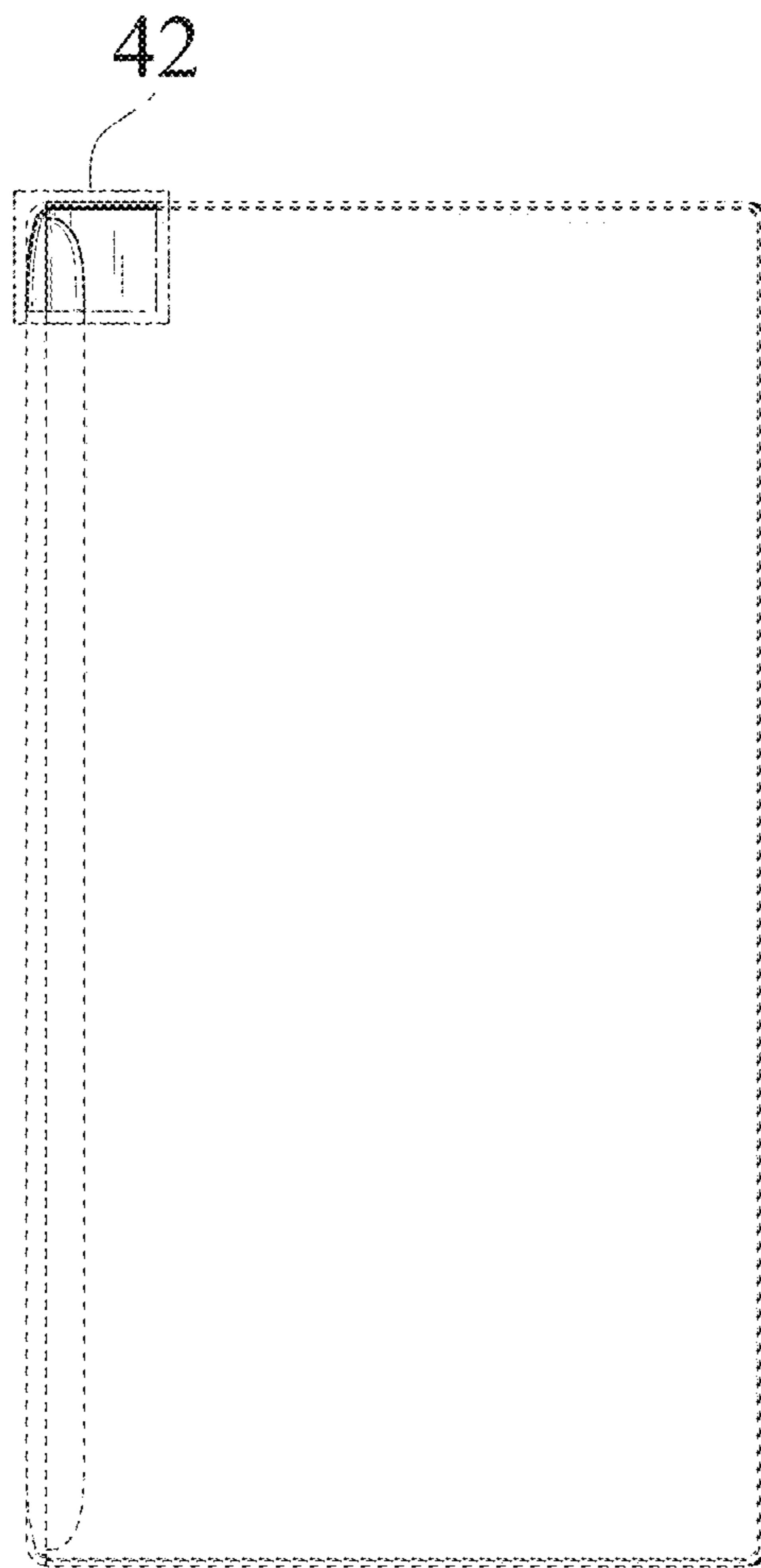


FIG. 35

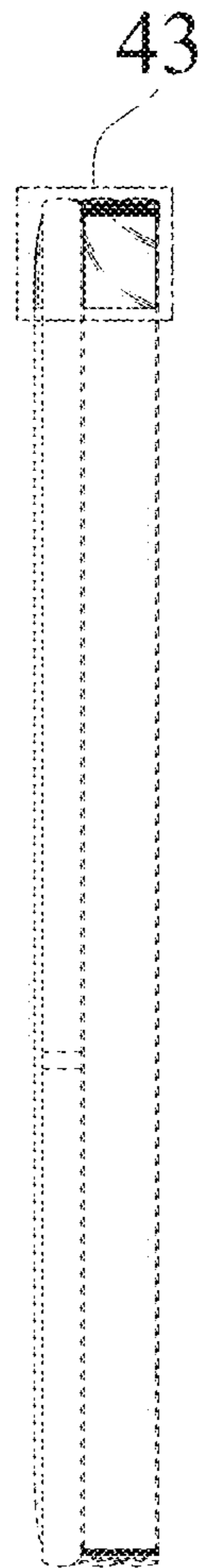


FIG. 36

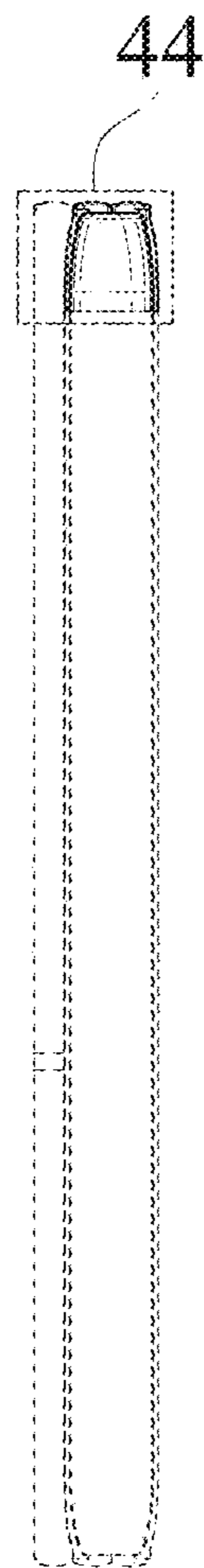


FIG. 37

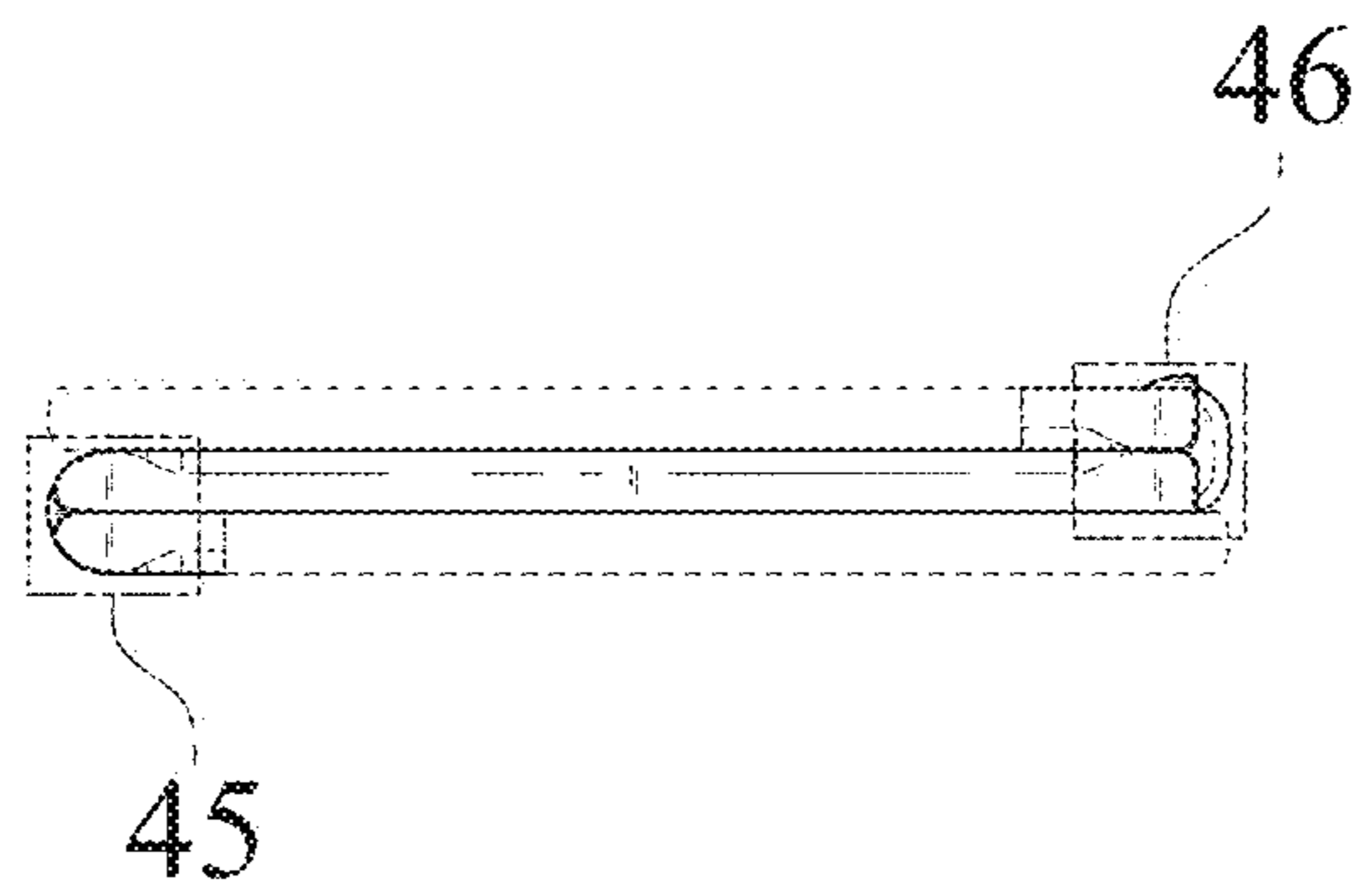


FIG. 38

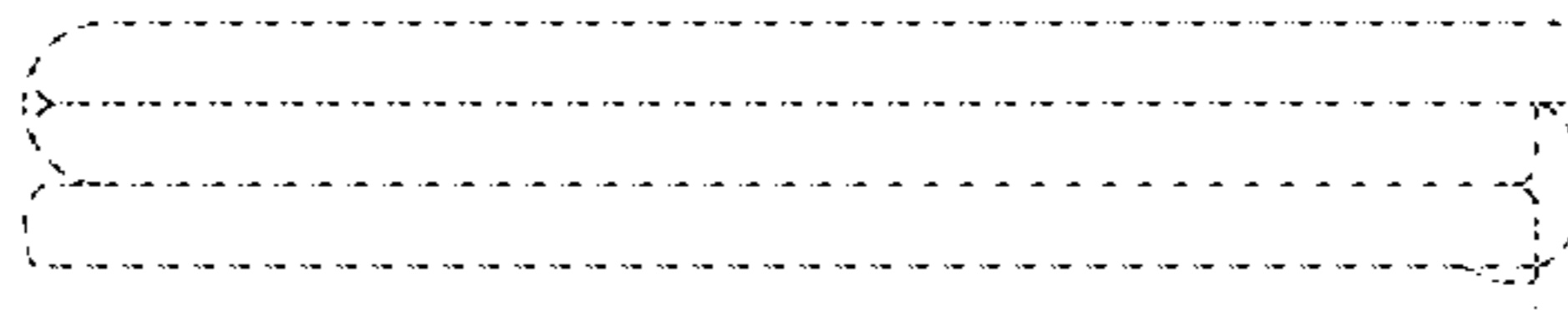


FIG. 39

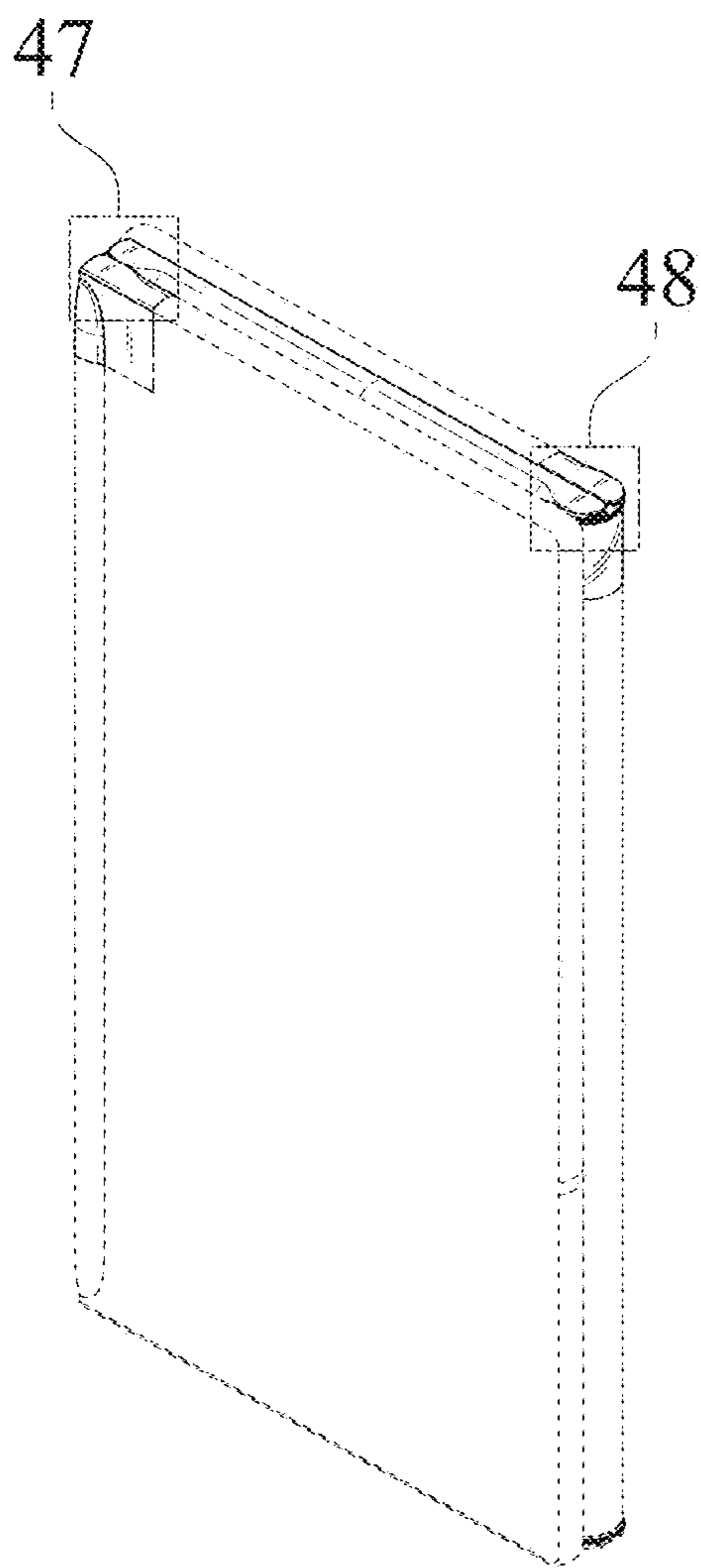


FIG. 40

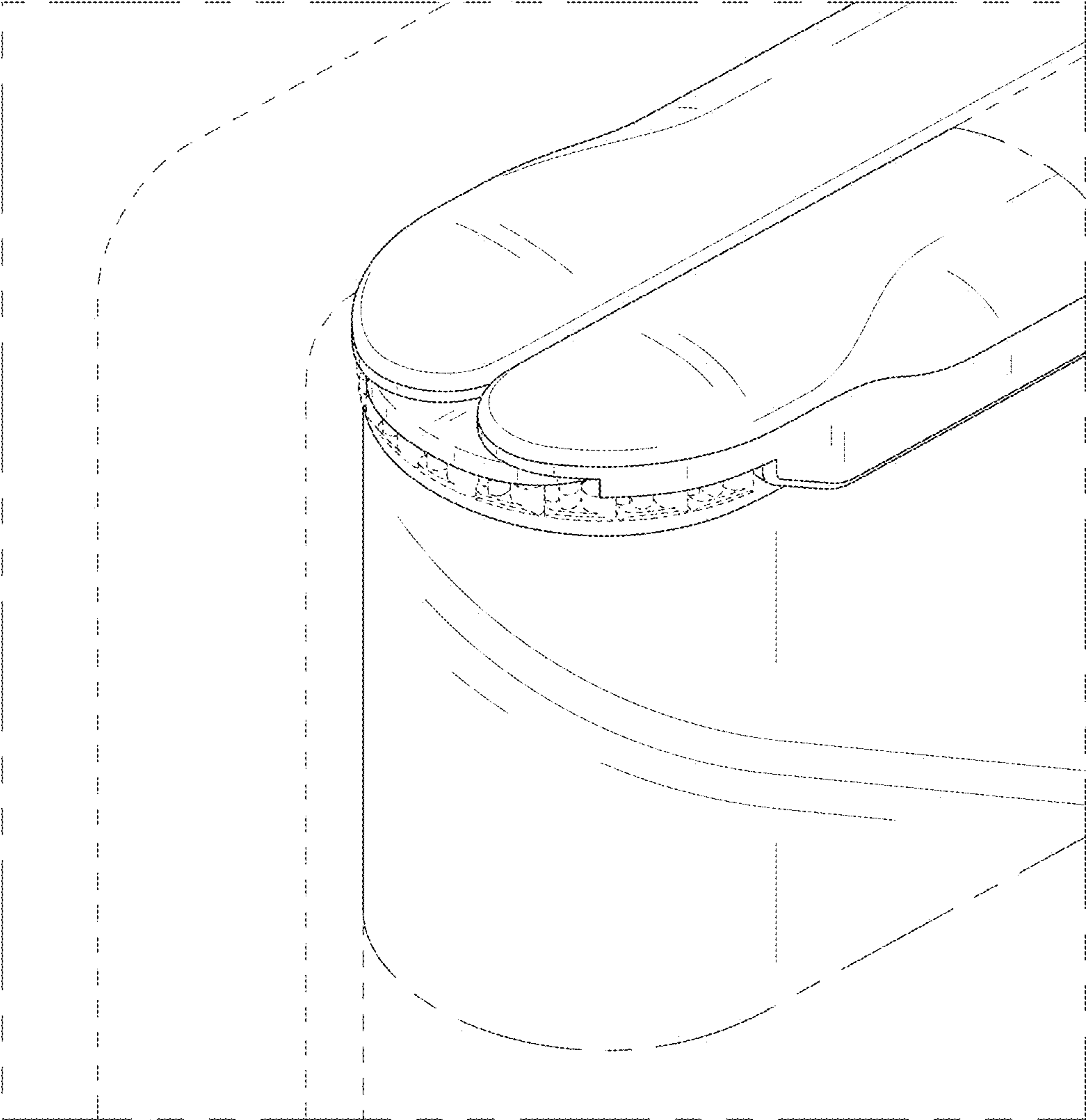


FIG. 41

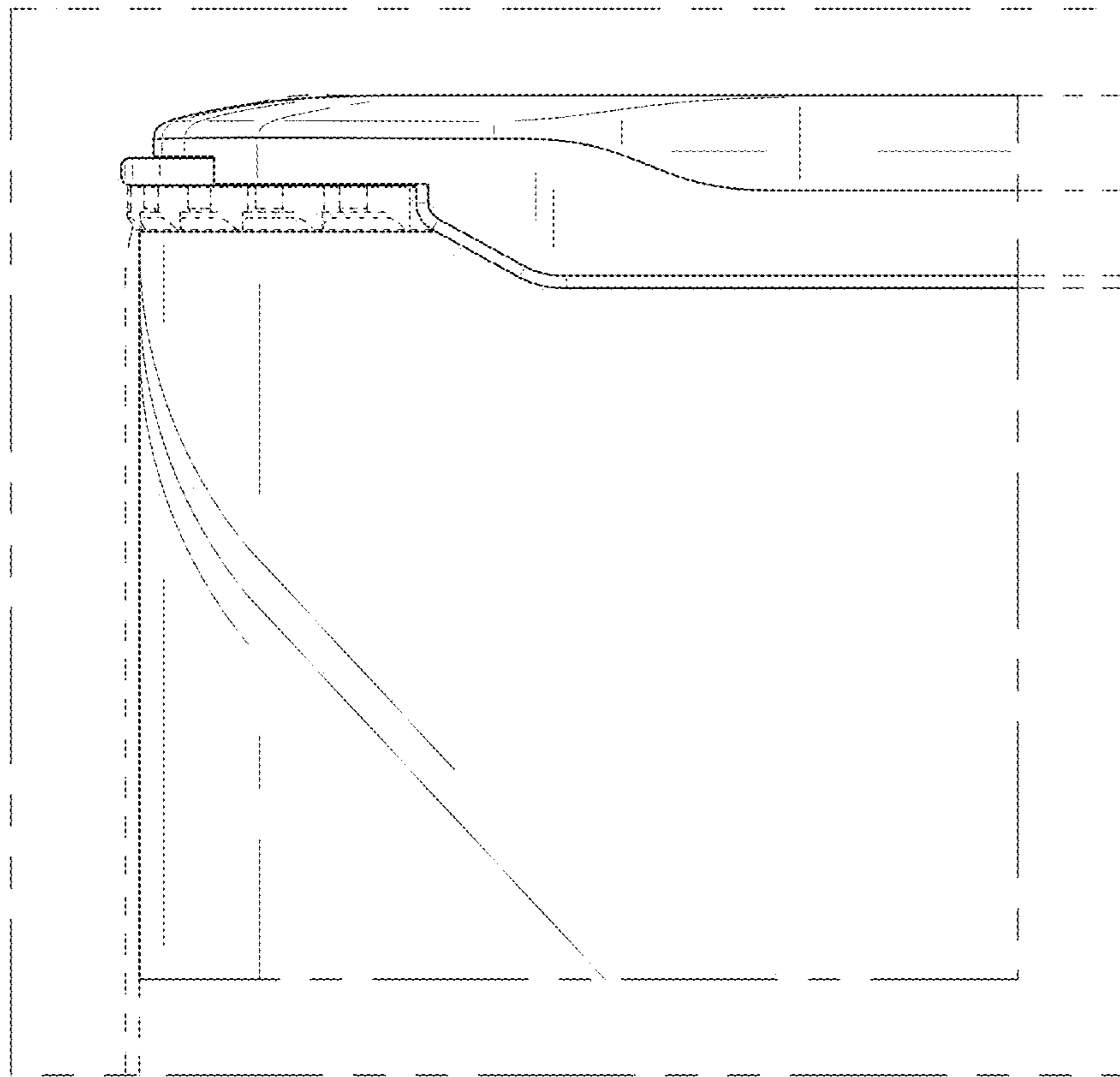


FIG. 42

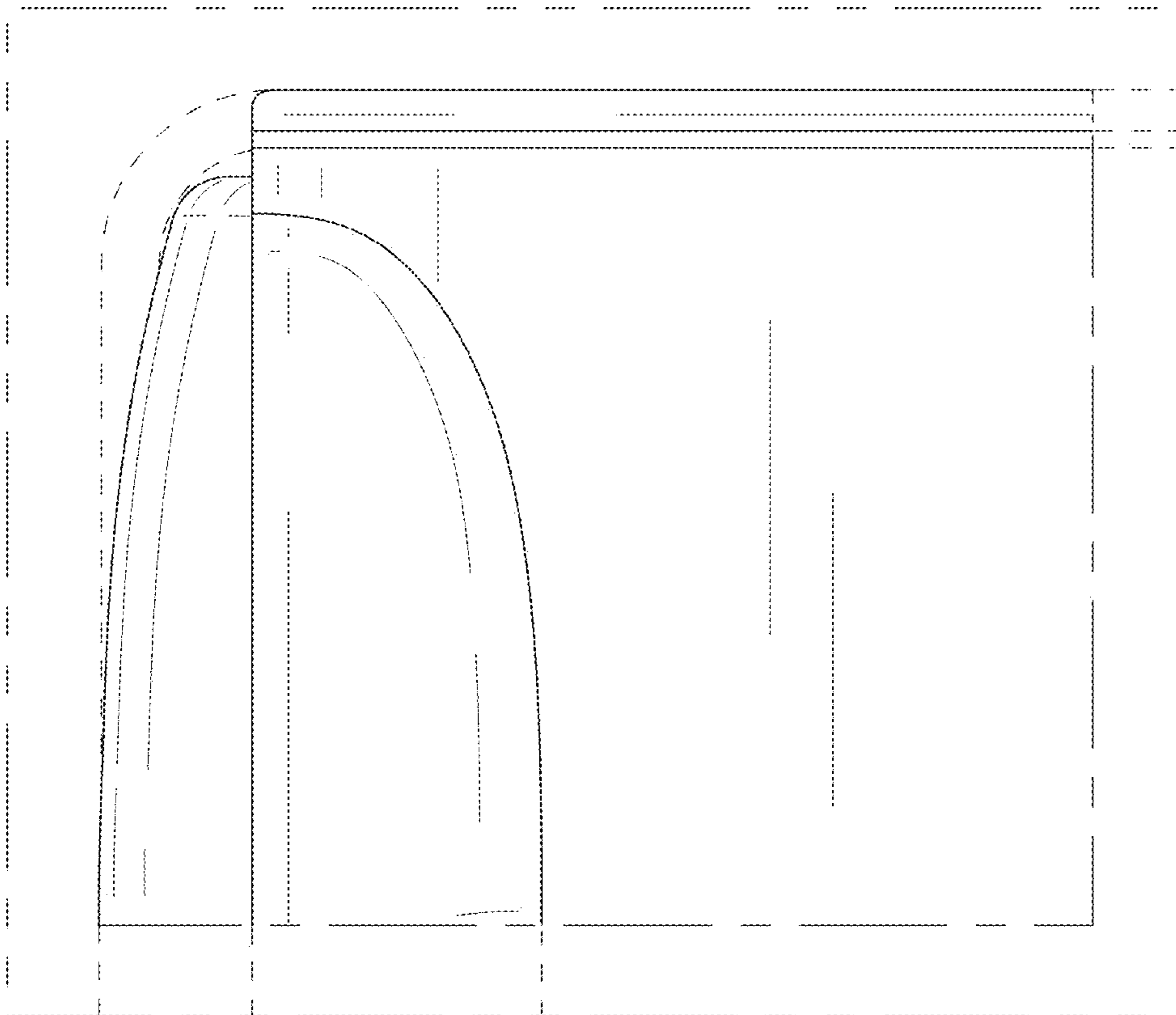


FIG. 43

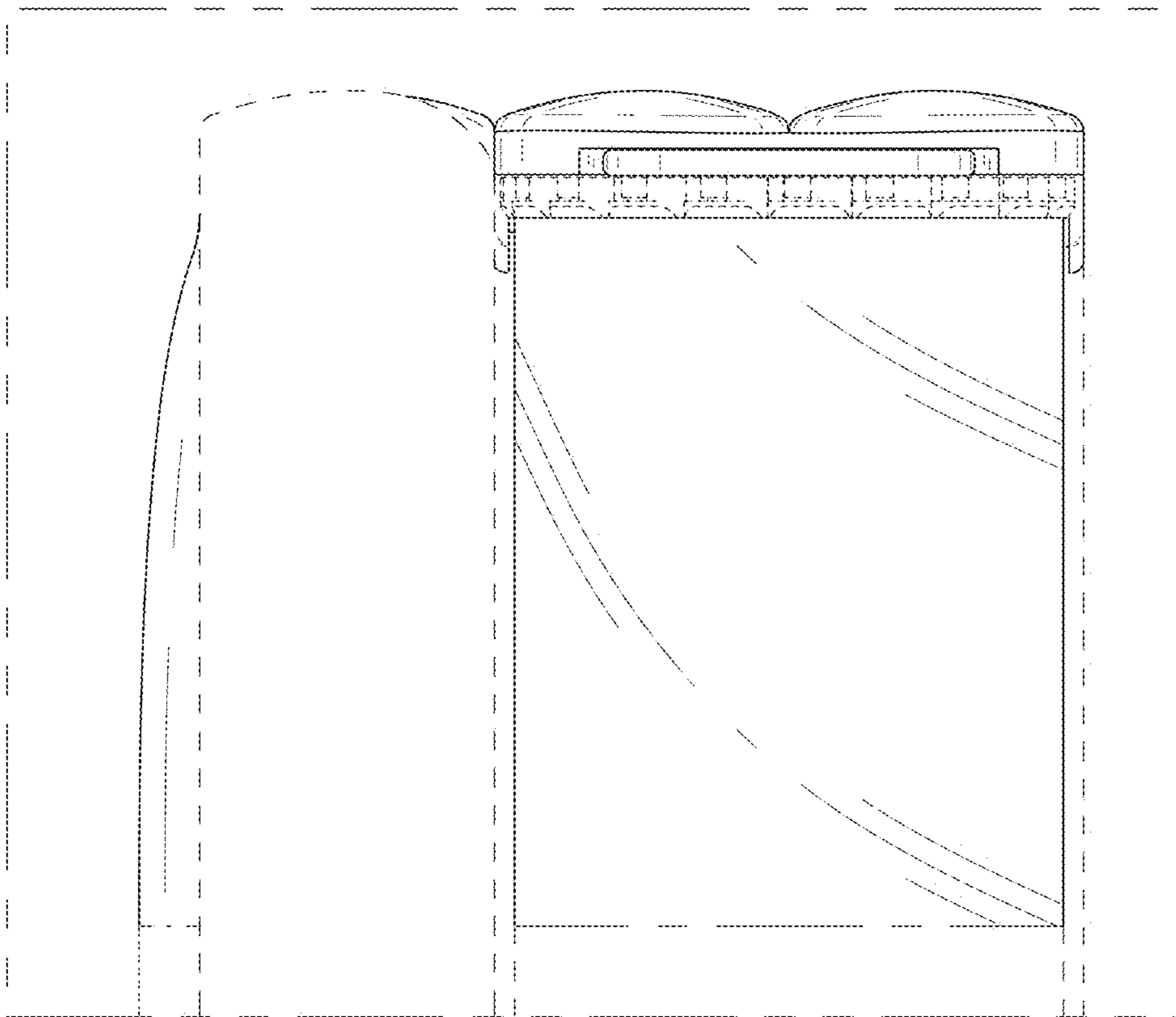


FIG. 44

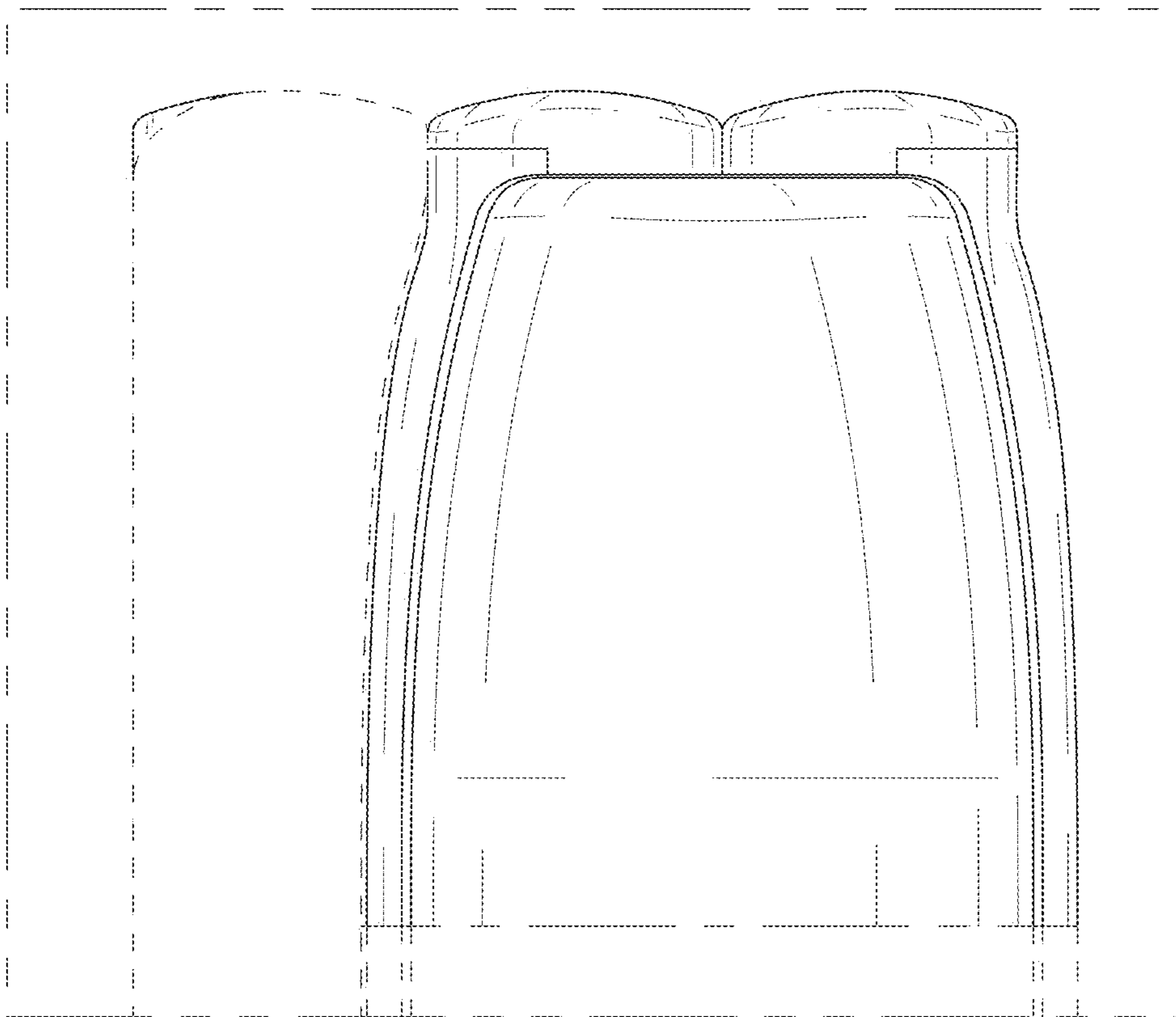


FIG. 45

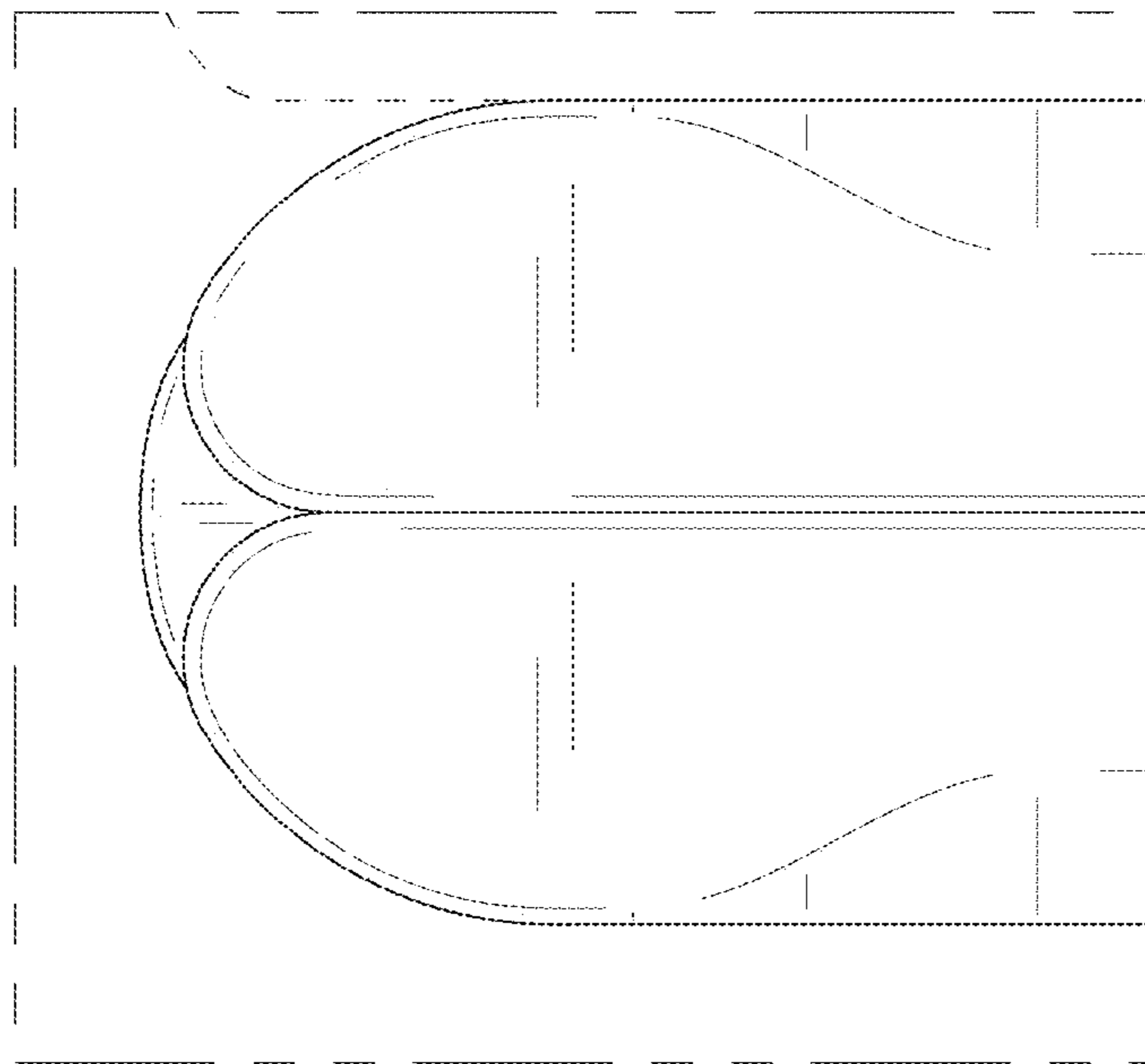


FIG. 46

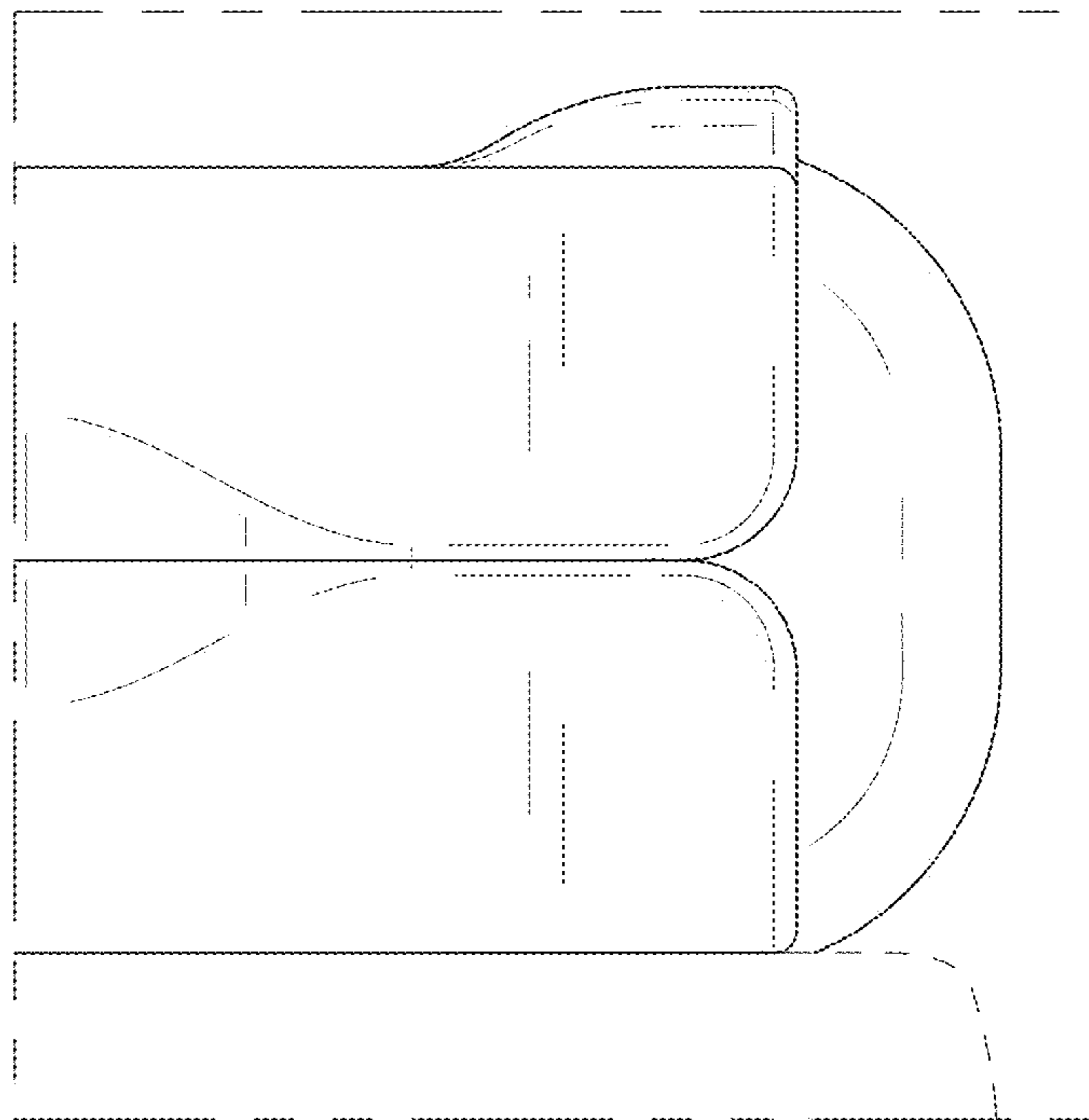


FIG. 47

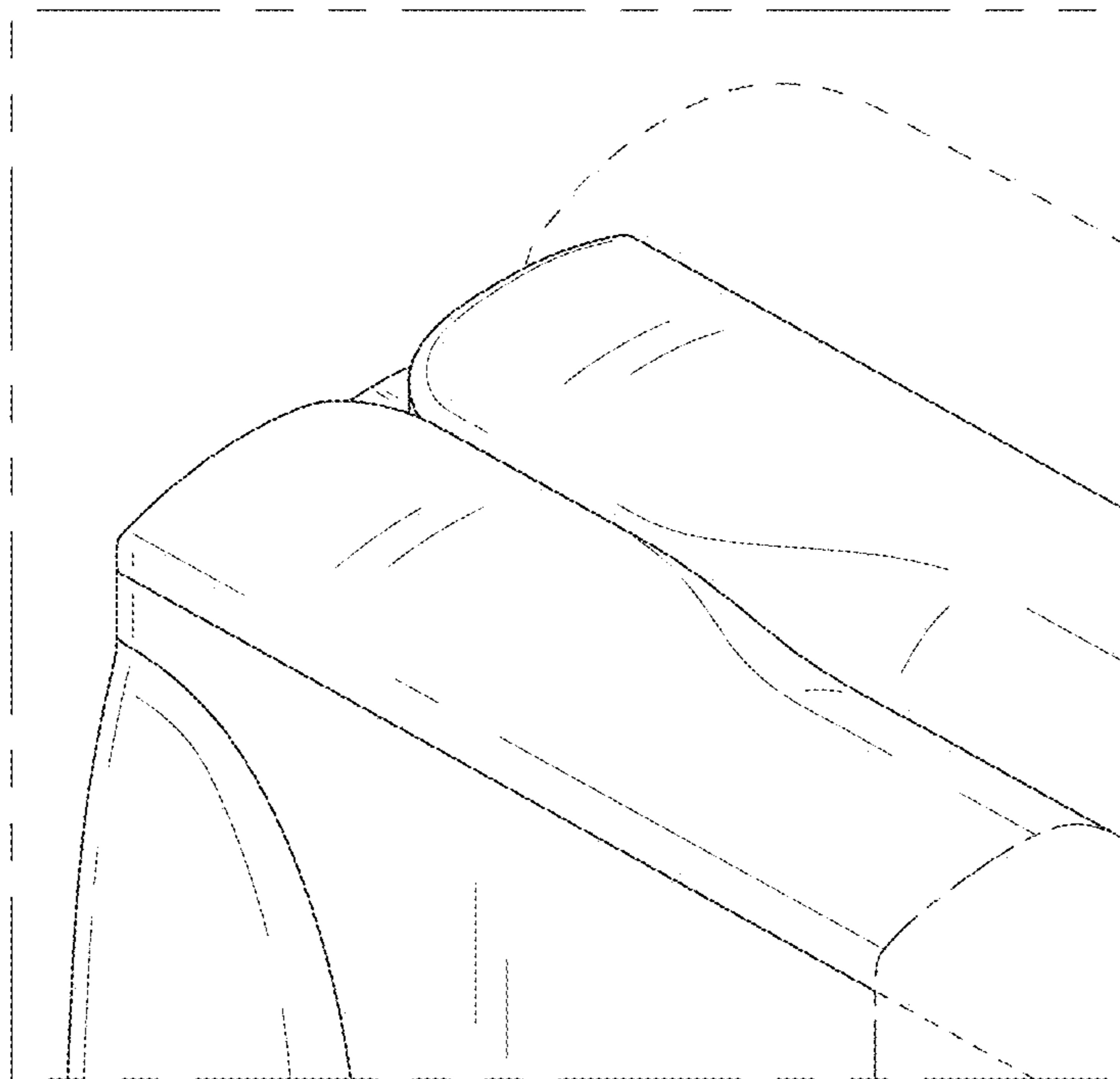


FIG. 48

