



US00D955382S

(12) **United States Design Patent**
Park et al.

(10) **Patent No.:** **US D955,382 S**
(45) **Date of Patent:** **** Jun. 21, 2022**

(54) **STORAGE DEVICE**

(71) Applicant: **HANWHA TECHWIN CO., LTD.**,
Seongnam-si (KR)

(72) Inventors: **Ho Jin Park**, Seongnam-si (KR); **Mun Jun Park**, Seongnam-si (KR)

(73) Assignee: **HANWHA TECHWIN CO., LTD.**,
Seongnam-si (KR)

(**) Term: **15 Years**

(21) Appl. No.: **29/741,112**

(22) Filed: **Jul. 9, 2020**

(30) **Foreign Application Priority Data**

Jan. 14, 2020 (KR) 30-2020-0001723

(51) **LOC (13) Cl.** **14-02**

(52) **U.S. Cl.**
USPC **D14/348**; D14/313; D14/354

(58) **Field of Classification Search**

USPC D14/300, 301, 308, 310, 311, 312, 313,
D14/314, 348, 353, 354, 355, 356, 357,
D14/358, 388, 389, 432, 434, 439, 441,
D14/443, 444, 445, 446, 257, 258, 188,
D14/240, 349, 350, 351, 352; D13/184
CPC G11B 15/6815; G11B 15/682; H05K
7/1422; H05K 7/1465; H05K 7/1424;
H05K 7/1481; H05K 5/003; H05K 5/004;
H05K 5/006; H05K 5/0017; H05K
5/0021; H05K 5/0052; G06F 1/187; G06F
3/147; G01R 31/2801; G05B 23/0213
See application file for complete search history.

(56) **References Cited**

U.S. PATENT DOCUMENTS

D305,227 S * 12/1989 Esslinger D14/354
D320,006 S * 9/1991 Ivester D14/355
D357,233 S * 4/1995 Merino D14/353

D384,042 S * 9/1997 Antoneczak D14/354
D447,134 S * 8/2001 Kiai D14/257
D455,153 S * 4/2002 Gant D14/445
D477,307 S * 7/2003 Tierney D14/214

(Continued)

OTHER PUBLICATIONS

LONNKY 8 Channel Full 1080P Security Camera System. Tonton Security, amazon.com (online) 10 pages. Posted Sep. 23, 2020. [Retrieved Dec. 3, 2021] https://www.amazon.com/dp/B08JTLJZ3W/ref=cm_sw_em_r_mt_dp_DN93AZGFTR7FEDEAV0H8?_encoding=UTF8&psc=1 (Year: 2020).*

(Continued)

Primary Examiner — Kathleen L Jones

Assistant Examiner — Cole Sanders Holman

(74) *Attorney, Agent, or Firm* — Sughrue Mion, PLLC

(57) **CLAIM**

The ornamental design for a storage device, as shown and described.

DESCRIPTION

FIG. 1 is a perspective view of a storage device, showing the new design;

FIG. 2 is a front view thereof;

FIG. 3 is a rear view thereof;

FIG. 4 is a left side view thereof;

FIG. 5 is a right side view thereof;

FIG. 6 is a top plan view thereof;

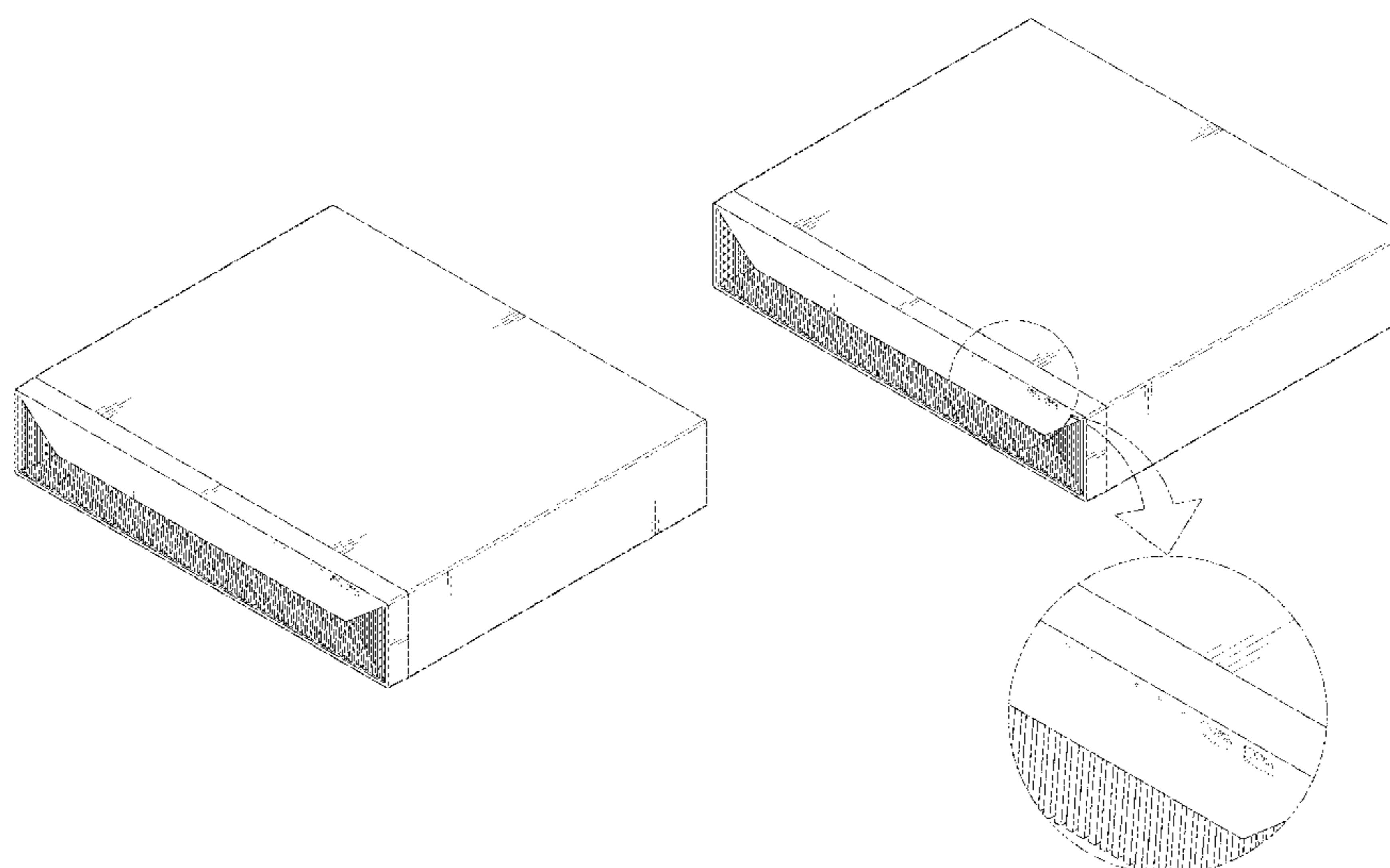
FIG. 7 is a bottom view thereof; and,

FIG. 8 is another perspective view thereof where portions of the storage device are shown separate and enlarged, for clarity of illustration.

The evenly spaced broken lines depict portions of the storage device and form no part of the claimed design.

The uneven broken lines are included to indicate portions of the figures shown enlarged and form no part of the claimed design.

1 Claim, 8 Drawing Sheets



(56)

References Cited

OTHER PUBLICATIONS

U.S. PATENT DOCUMENTS

D503,718 S * 4/2005 Heinz D14/444
D551,165 S * 9/2007 Albano D13/110
D566,119 S * 4/2008 Dearborn D14/446
D588,601 S * 3/2009 Wang D14/445
D598,456 S * 8/2009 Vaughan D14/444
D612,330 S * 3/2010 Du D13/110
D629,807 S * 12/2010 Vaughan D14/446
D631,480 S * 1/2011 Vaughan D14/446
D693,329 S * 11/2013 Lee D14/216
D717,284 S * 11/2014 Kurosawa D14/240
D721,706 S * 1/2015 Rooyakkers D14/435
D721,707 S * 1/2015 Rooyakkers D14/435
D722,587 S * 2/2015 Green D14/188
D753,120 S * 4/2016 Tysso D14/432
9,622,394 B1 * 4/2017 Frank H05K 9/0081
D789,908 S * 6/2017 Givre D14/214
D803,174 S * 11/2017 Coffey D14/125
D808,381 S * 1/2018 Van Dijke D14/313
D815,642 S * 4/2018 Wilcox D14/441
D817,963 S * 5/2018 Ravat D14/444
D824,900 S * 8/2018 Wu D14/356
D869,438 S * 12/2019 Valeur D14/214
D870,074 S * 12/2019 Valeur D14/214
D888,059 S * 6/2020 Ranade D14/432
2016/0316585 A1 * 10/2016 Lu H05K 7/1487
2017/0071071 A1 * 3/2017 Tseng H05K 7/1411

ISOTECT Wireless Security Camera System. ISOTECT Technology Co., amazon.com (online) 7 pages. Posted Dec. 3, 2017. [Retrieved Dec. 3, 2021] https://www.amazon.com/dp/B07D6FGPZG/ref=cm_sw_em_r_mt_dp_C24HC2BX7ZKS5P8N4D8H?_encoding=UTF8&psc=1 (Year: 2017).*

JENNOV Wireless Security IP Camera System. Shenzhen Dianchen Industrial Co., Ltd., amazon.com (online) 6 pages. Posted 20, Apr. 2020. [Retrieved Dec. 3, 2021] https://www.amazon.com/dp/B087BCN4M4/ref=cm_sw_em_r_mt_dp_BM4NW9D7JWCCGNK79HQW?_encoding=UTF8&psc=1 (Year: 2020).*

Netgear ReadyNAS 3312 2U 12-Bay Rack Mount. Netgear, (online) 4 pages. Date unknown. [Retrieved Dec. 3, 2021] <https://www.buydig.com/shop/product.aspx?sku=NETRR33120010000S> (Year: 2021).*

2U 8HDDs WizMind Intelligent Video Surveillance Server. Wizmind. 8 Pages. Date unknown. [Retrieved Dec. 3, 2021] <https://www.dahuasecurity.com/ceen/products/All-Products/Network-Recorders/Ultra-AI-series/8HDD/IVSS7008-11> (Year: 2021).*

Zhao Xunwei, CN Design No. 306881288, published at Orbit, publication date Oct. 15, 2021. Site visited Nov. 22, 2021. Available from internet. (Year: 2021).*

Chen Lin, CN Design No. 301923813, published at Orbit, publication date May 23, 2012. Site visited Nov. 22, 2021. Available from internet. (Year: 2012).*

* cited by examiner

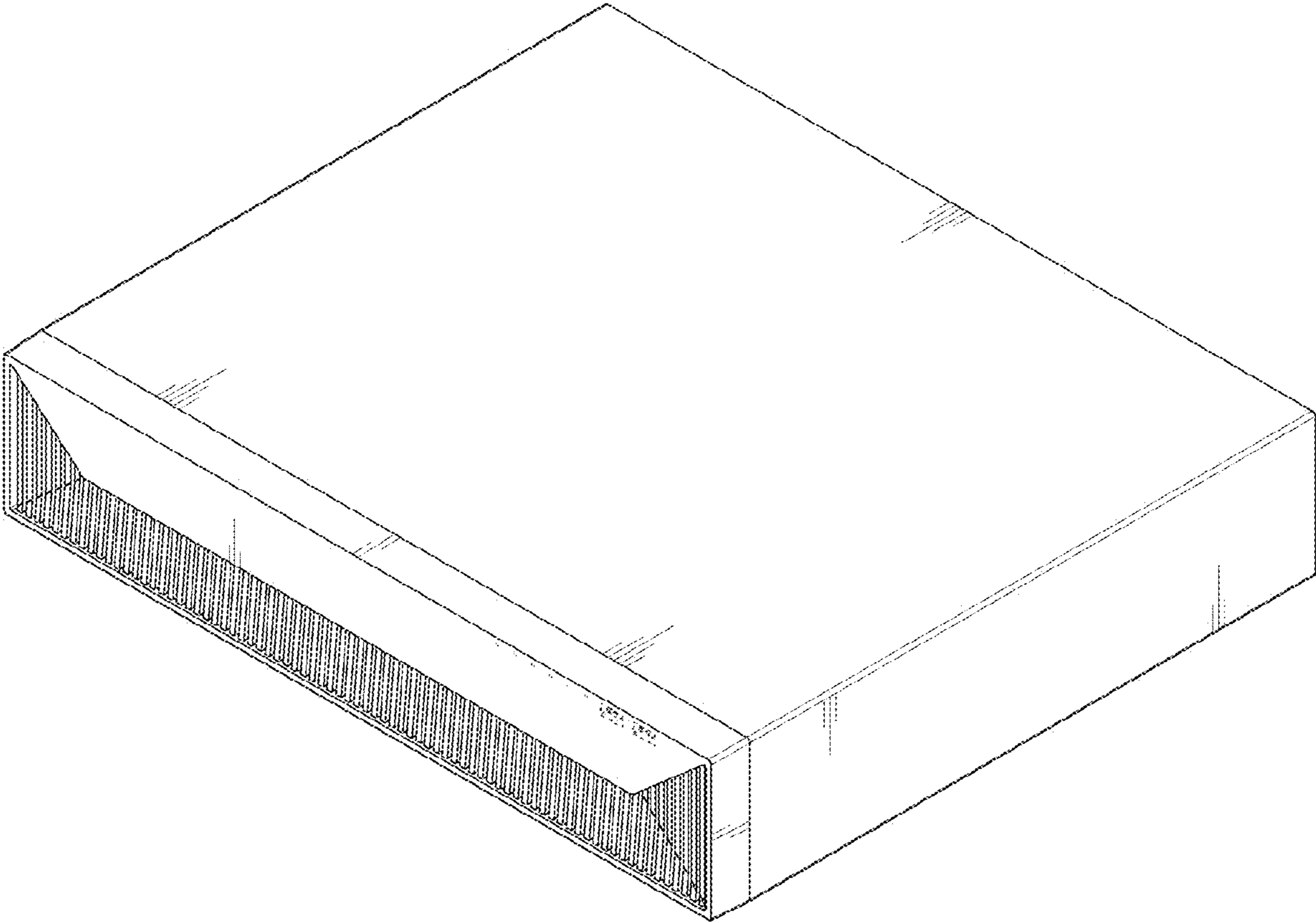


FIG. 1

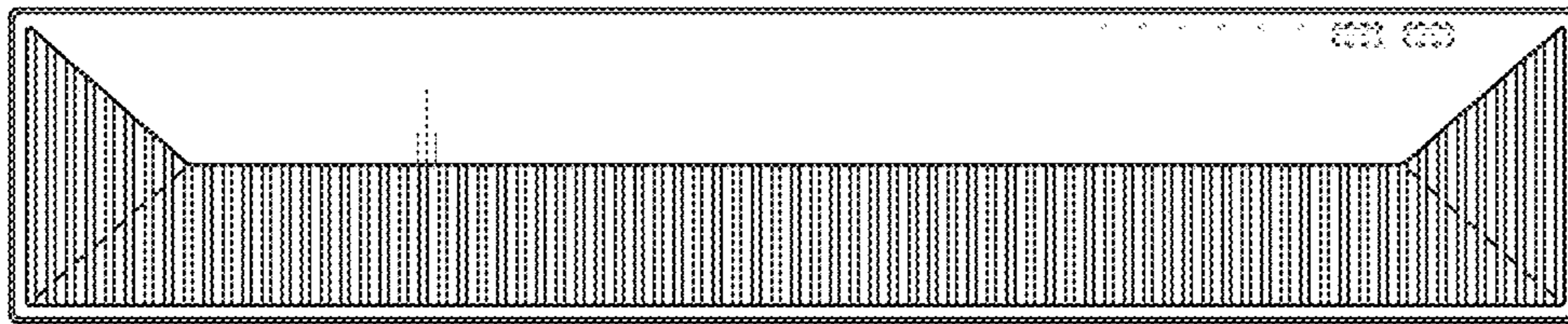


FIG. 2



FIG. 3

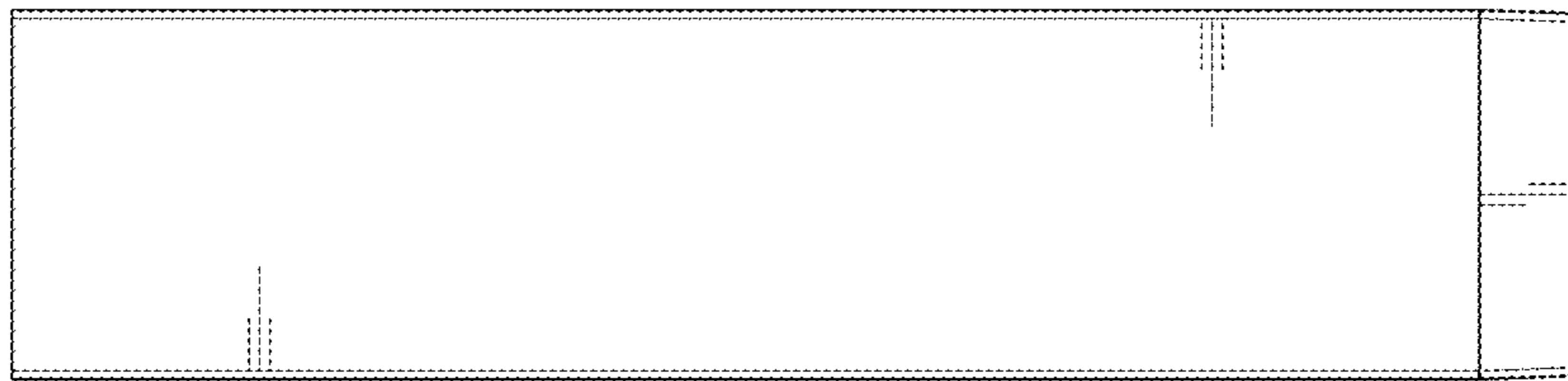


FIG. 4

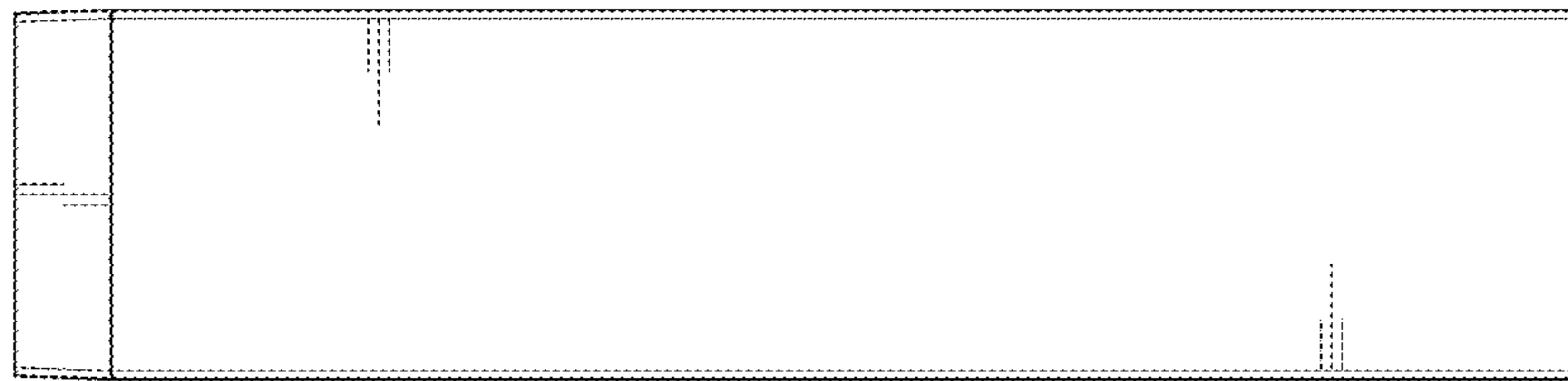


FIG. 5

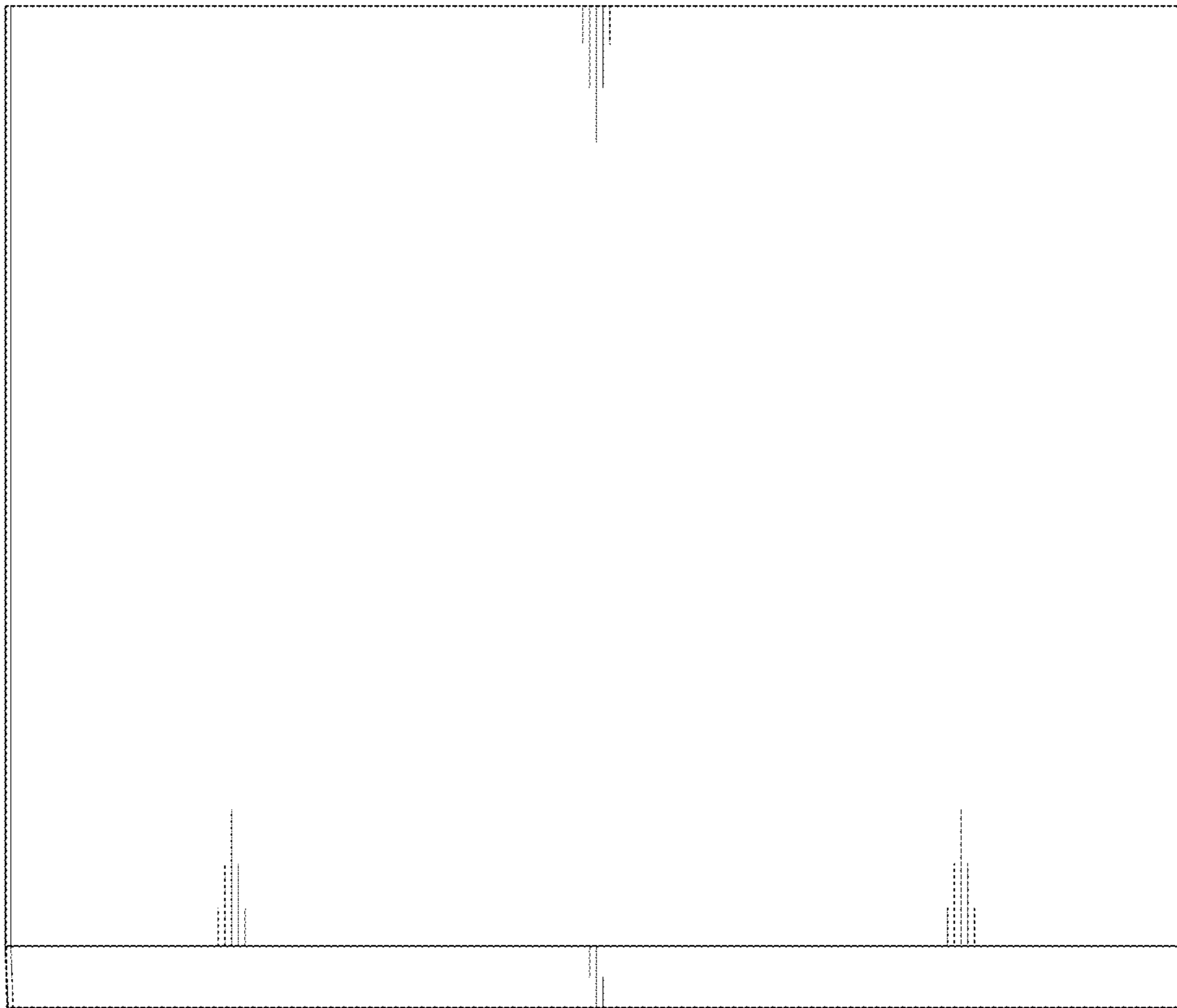


FIG. 6

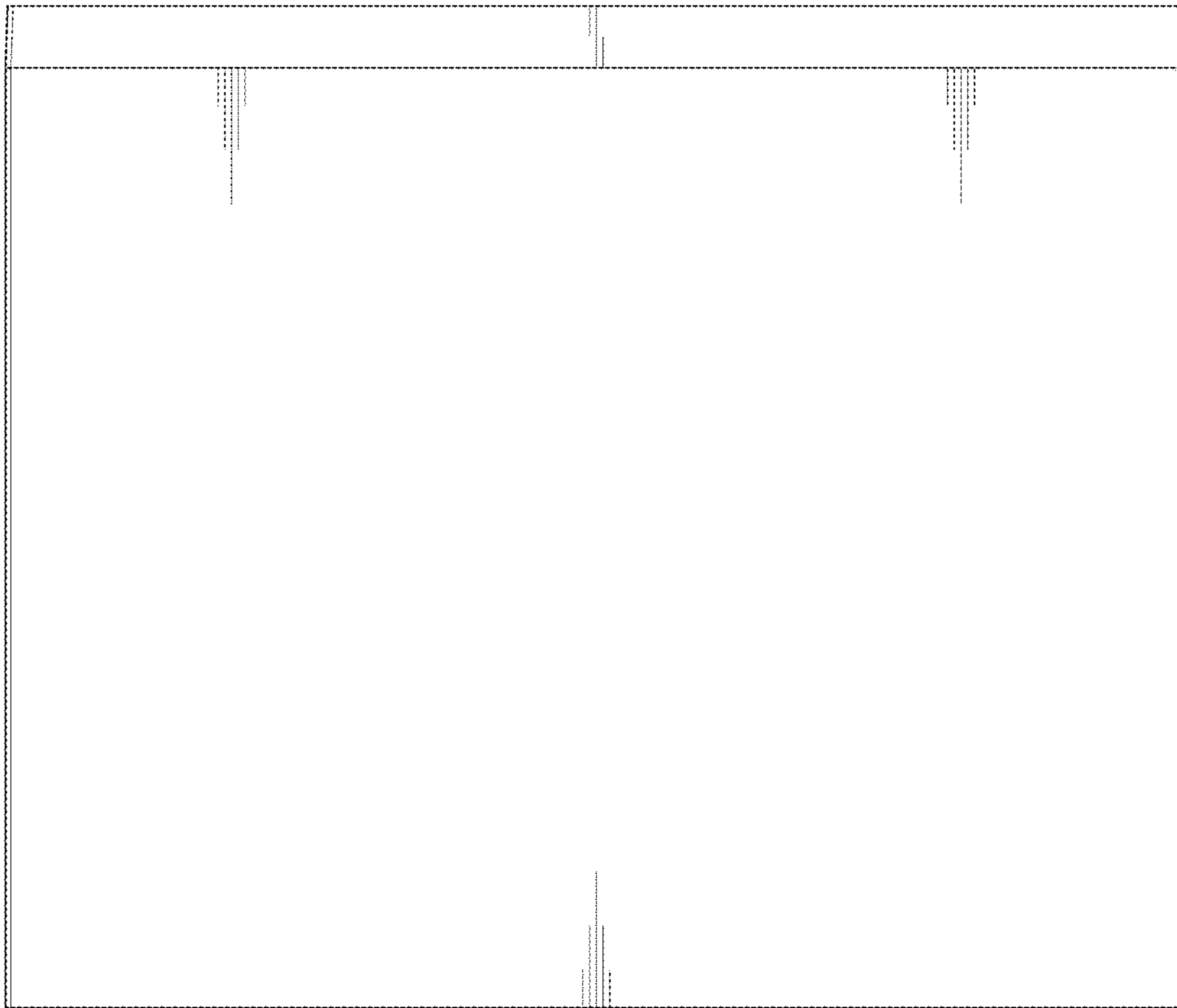


FIG. 7

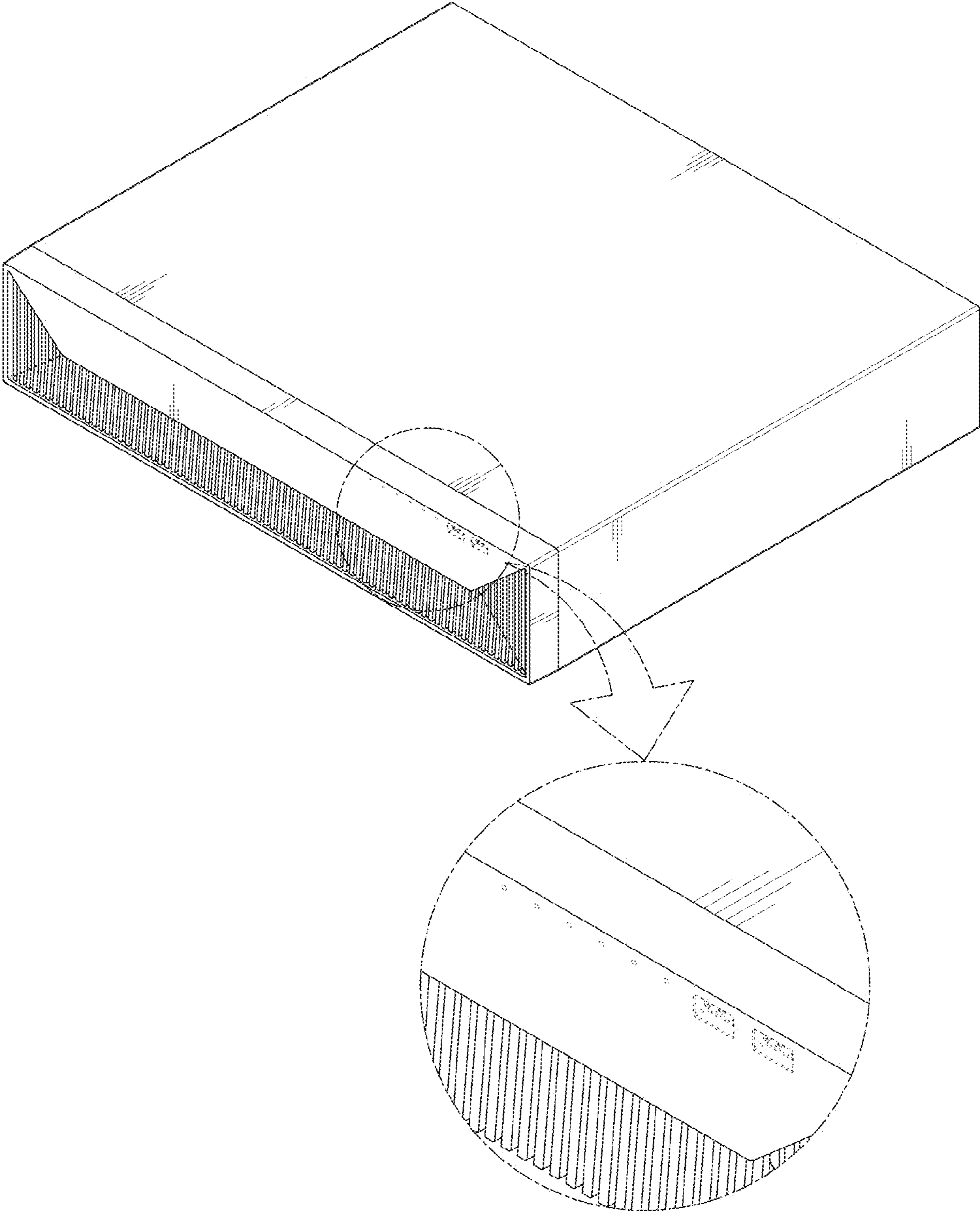


FIG. 8