



US00D955377S

(12) **United States Design Patent**
Iverson

(10) **Patent No.:** **US D955,377 S**
(45) **Date of Patent:** **** Jun. 21, 2022**

- (54) **MOUNTING BRACKET FOR A PERSONAL ELECTRONIC DEVICE**
- (71) Applicant: **MACNEIL IP LLC**, Bolingbrook, IL (US)
- (72) Inventor: **David S. Iverson**, Oak Brook, IL (US)
- (73) Assignee: **MACNEIL IP LLC**, Bolingbrook, IL (US)
- (**) Term: **15 Years**
- (21) Appl. No.: **29/810,731**
- (22) Filed: **Oct. 7, 2021**

Related U.S. Application Data

- (62) Division of application No. 29/736,202, filed on May 28, 2020, now Pat. No. Des. 934,233.
- (51) **LOC (13) Cl.** **14-03**
- (52) **U.S. Cl.**
USPC **D14/253**
- (58) **Field of Classification Search**
USPC D14/251–253, 439, 240, 447; D3/218;
D12/415, 407; D16/242–245; D7/620,
D7/619.1

(Continued)

(56) **References Cited**

U.S. PATENT DOCUMENTS

- D247,548 S 3/1978 Crary
- D289,898 S 5/1987 Miller

(Continued)

FOREIGN PATENT DOCUMENTS

- CN 106427807 2/2017

OTHER PUBLICATIONS

Cellet PH600 Car Cup Holder Mount, Amazon.com, [online], [site visited Oct. 24, 2019]. <URL:https://www.amazon.com/dp/B006BIQBMQref=psdc_2230642011_t4_B002JTWARN8> (Year: 2019).

(Continued)

Primary Examiner — Janice Hallmark
(74) *Attorney, Agent, or Firm* — Perkins IP Law Group LLC; Jefferson Perkins

(57) **CLAIM**

I claim the ornamental design for a mounting bracket for a personal electronic device, as shown and described.

DESCRIPTION

FIG. 1 is a top front perspective view of my design shown with jaws thereof in a closed configuration, a mount base shown as environmental structure;

FIG. 2 is a top front perspective view of my design shown with the jaws thereof in the closed configuration and taken from a point of view different from FIG. 1;

FIG. 3 is a top rear perspective view thereof;

FIG. 4 is a front view thereof;

FIG. 5 is a rear view thereof;

FIG. 6 is a right side view thereof;

FIG. 7 is a left side view thereof;

FIG. 8 is a top view thereof;

FIG. 9 is a bottom view thereof;

FIG. 10 is a top front perspective view of my design, shown with the jaws in an open configuration;

FIG. 11 is a top rear perspective view thereof as configured in FIG. 10;

FIG. 12 is a front view thereof as configured in FIG. 10;

FIG. 13 is a rear view thereof as configured in FIG. 10;

FIG. 14 is a right side view thereof as configured in FIG. 10;

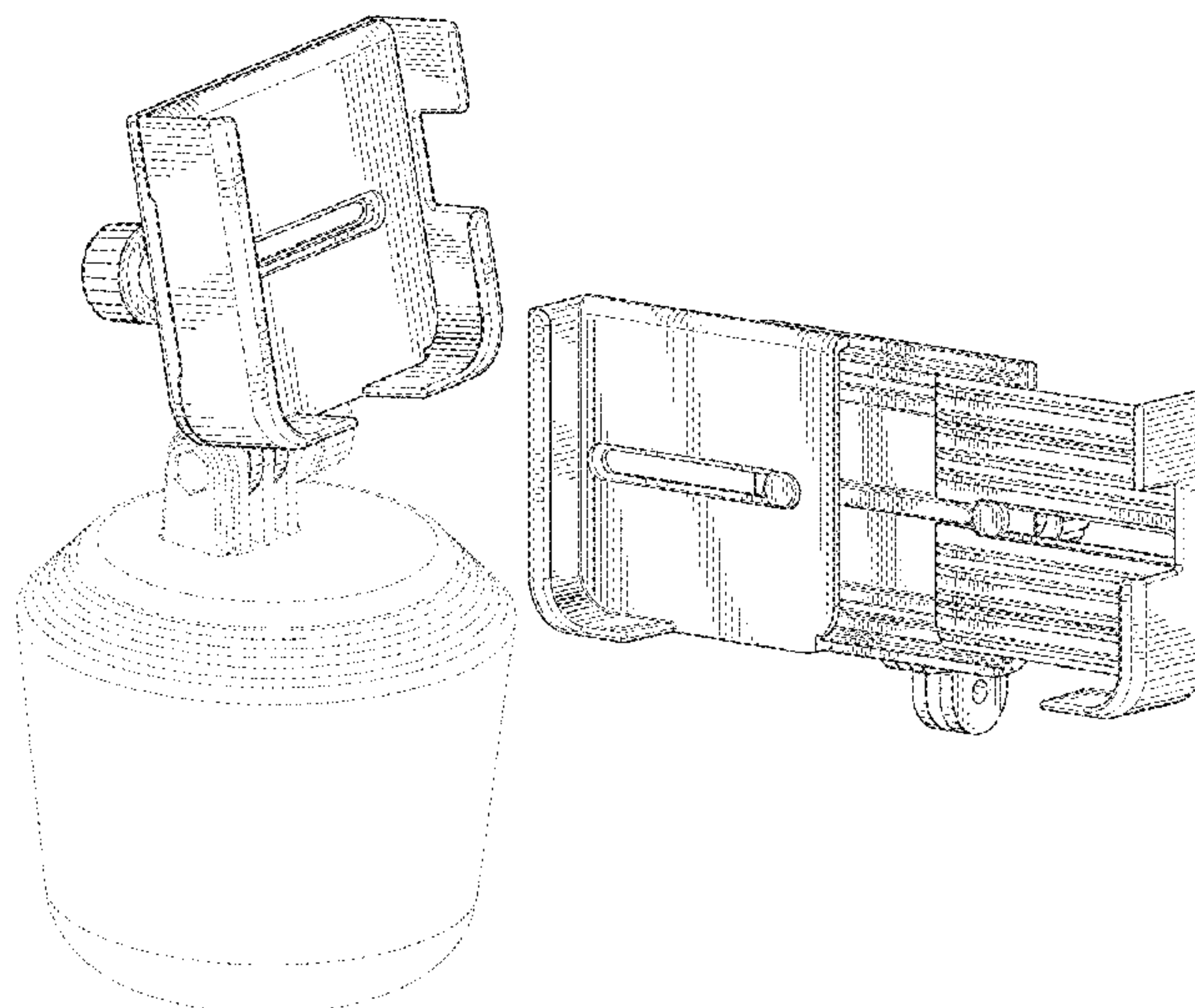
FIG. 15 is a left side view of thereof as configured in FIG. 10;

FIG. 16 is a top view thereof as configured in FIG. 10; and,

FIG. 17 is a bottom view thereof as configured in FIG. 10.

The broken lines shown illustrate environment that forms no part of the claimed design.

1 Claim, 11 Drawing Sheets



(58) **Field of Classification Search**
 CPC H04M 1/04; H04M 1/0279; A45F
 2200/0516; A45F 5/00; A45F 2200/0525;
 A45C 2011/002; A45C 2011/003; B60R
 11/0241; B60R 11/04; B60R 2011/0056;
 F16B 47/006
 See application file for complete search history.

(56) **References Cited**

U.S. PATENT DOCUMENTS

4,854,468 A 8/1989 Dahlquist, II et al.
 D309,307 S 7/1990 Sigurdson
 5,052,649 A 10/1991 Hunnicutt
 D322,891 S 1/1992 Samuelson et al.
 5,088,673 A 2/1992 Chandler
 5,102,086 A 4/1992 Thomason
 5,135,195 A 8/1992 Dane
 5,174,534 A 12/1992 Mitchell
 5,180,088 A 1/1993 de Angeli
 5,285,938 A 2/1994 Fauchald
 5,285,953 A 2/1994 Smith
 D361,017 S 8/1995 Keven
 D370,392 S 6/1996 Flanagan
 D376,959 S 12/1996 Norris
 D377,740 S 2/1997 Swanson
 D380,650 S 7/1997 Norris
 5,651,523 A 7/1997 Bridges
 5,669,538 A 9/1997 Ward
 5,676,340 A 10/1997 Ruhнау
 5,745,565 A 4/1998 Wakefield
 D397,915 S 9/1998 McNaughton
 D400,763 S 11/1998 Taylor et al.
 D402,666 S 12/1998 Golder
 D407,408 S 3/1999 Hoff
 5,897,041 A 4/1999 Ney et al.
 6,019,325 A 2/2000 Dotson et al.
 D422,182 S 4/2000 Miljanich
 6,062,518 A 5/2000 Etue
 6,099,062 A 8/2000 Siegel
 6,113,049 A 9/2000 Miljanich
 6,189,755 B1 2/2001 Wakefield
 D439,116 S 3/2001 White
 6,246,766 B1 6/2001 Walsh
 6,253,982 B1 7/2001 Gerardi
 6,267,340 B1 7/2001 Wang
 6,315,153 B1 11/2001 Osborn
 D451,504 S 12/2001 Edwards
 D452,236 S 12/2001 Kohli
 6,543,637 B1 4/2003 Osborn
 D475,044 S 5/2003 Kohli et al.
 D478,741 S 8/2003 White
 6,827,318 B1 12/2004 Hsu Li
 D501,118 S 1/2005 Schrock
 D513,938 S 1/2006 Griffin
 D516,393 S 3/2006 Wickenhauser
 D524,807 S 7/2006 Topinka
 7,099,466 B2 8/2006 Walsh
 7,099,467 B1 8/2006 Rohrbach
 7,140,586 B2 11/2006 Seil et al.
 7,194,087 B2 3/2007 Luginbill et al.
 D546,823 S 7/2007 Dayan
 7,246,555 B2 7/2007 Small et al.
 D551,912 S 10/2007 Cooke
 D558,769 S 1/2008 Krieger et al.
 7,597,301 B2 10/2009 Seil
 7,611,114 B1 11/2009 Griffin
 D610,353 S 2/2010 Cooney et al.
 7,668,309 B2 2/2010 Wilcox
 7,708,247 B2 5/2010 Lota
 D625,715 S 10/2010 Adams, II
 D643,252 S 8/2011 Seidl
 8,061,670 B1 11/2011 White
 D651,473 S 1/2012 Cribb
 D654,119 S 2/2012 Lin
 D655,282 S 3/2012 Richter
 D687,437 S 8/2013 Hagenauer

D705,211 S 5/2014 Huang
 D709,066 S 7/2014 Byun
 8,777,307 B2 7/2014 Nelson et al.
 D718,298 S 11/2014 Aspinall et al.
 8,922,354 B2 12/2014 Nagara et al.
 D721,074 S 1/2015 Harris
 9,079,545 B2 7/2015 Dugan
 9,161,466 B2 10/2015 Huang
 9,162,630 B2 10/2015 Pluta
 9,254,793 B2 2/2016 Won
 D765,064 S 8/2016 Wengreen
 D767,279 S 9/2016 Gummo
 D771,614 S 11/2016 Chang
 D777,167 S 1/2017 Wengreen
 D777,720 S 1/2017 Russell
 9,573,532 B2 2/2017 Riddiford et al.
 9,616,793 B2 4/2017 Llorca
 D788,571 S 6/2017 Richter
 9,698,851 B2 7/2017 Andrus
 9,758,248 B2 9/2017 Procter et al.
 D799,469 S 10/2017 Esses
 9,821,723 B2 11/2017 Mannarino
 D807,701 S 1/2018 Bo
 D809,998 S 2/2018 Dabel et al.
 9,900,417 B1 2/2018 Ruiz
 D817,317 S 5/2018 Lee
 9,987,993 B2 6/2018 Thorimbert
 D823,062 S 7/2018 Goodwin et al.
 D832,248 S 10/2018 Sukphist et al.
 D833,369 S 11/2018 Changwen
 D835,113 S 12/2018 Kim
 10,155,482 B2 12/2018 Corso
 D837,613 S 1/2019 Nichols
 10,183,604 B2 1/2019 Krishnan
 D845,962 S 4/2019 Yao et al.
 D847,800 S 5/2019 Wengreen
 D847,801 S 5/2019 Wengreen
 D848,412 S 5/2019 Greve et al.
 D848,443 S 5/2019 Yao et al.
 10,284,250 B2 5/2019 Andrus
 10,308,155 B1 6/2019 Cline
 10,315,585 B2 6/2019 Minn et al.
 D858,438 S 9/2019 Levy
 D859,395 S 9/2019 Yao et al.
 D859,393 S 10/2019 Dang et al.
 10,442,367 B1 10/2019 Gachuz Navarro et al.
 D867,346 S 11/2019 Hofstede
 D867,999 S 11/2019 Li
 D868,036 S 11/2019 Sohn et al.
 D868,540 S 12/2019 Kemker
 D868,619 S 12/2019 Fohr
 D868,740 S 12/2019 Kang et al.
 D869,328 S 12/2019 Nelson
 D869,951 S 12/2019 Yi et al.
 D870,040 S 12/2019 Wu
 D870,094 S 12/2019 Ma
 D870,923 S 12/2019 Panagiotis et al.
 D871,149 S 12/2019 Kaiser
 D871,152 S 12/2019 Hudson
 D872,014 S 1/2020 Zhang et al.
 D872,380 S 1/2020 Liu
 D872,511 S 1/2020 Parks
 D872,537 S 1/2020 Guccione
 D872,539 S 1/2020 Hewitt et al.
 D872,725 S 1/2020 Lindof
 D872,727 S 1/2020 Chung
 D873,205 S 1/2020 MacNeil et al.
 D877,043 S 3/2020 MacNeil et al.
 D878,279 S 3/2020 MacNeil et al.
 10,576,905 B1 3/2020 MacNeil et al.
 D881,896 S 4/2020 Burns
 D888,045 S 6/2020 Hu
 D890,740 S 7/2020 Khubani et al.
 D899,431 S 10/2020 Burns
 D913,273 S 3/2021 Lan
 D914,690 S 3/2021 Wengreen
 D920,219 S 5/2021 Iverson
 D934,233 S * 10/2021 Iverson D14/253
 2002/0049081 A1 4/2002 Heiningner

(56)

References Cited

U.S. PATENT DOCUMENTS

2002/0094078 A1 7/2002 Edwards
 2004/0086112 A1 5/2004 Hilger et al.
 2014/0176062 A1 6/2014 Jung
 2020/0130604 A1 4/2020 MacNeil et al.
 2020/0130605 A1 4/2020 MacNeil
 2020/0186632 A1 6/2020 Iverson
 2020/0290522 A1 9/2020 Iverson

OTHER PUBLICATIONS

10 Cup Holder Phone Mount Reviews for 2019, HotRate.com, By Joey Randall, Last Updated Jan. 25, 2019, [online], [site visited Oct. 24, 2019]. <URL: <https://www.hotrate.com/electronics/cup-holder-phone-mount/>> (Year: 2019).

CupFone, WeatherTech.com, [online], [site visited Jan. 16, 2020]. <URL: <https://www.weathertech.com/weathertech-cupfone/cupfone/>> (Year: 2020).

WeatherTech CupFone: Up-Close Look, YouTube.com, WeatherTech, Published on Feb. 18, 2019, [online], [site visited Jan. 16, 2020]. <URL: <https://www.youtube.com/watch?v=OARZXf2c6cU>. (Year: 2019).

Green Sprouts Dream Window Stacking Cups 6 Counts, BabyPallet.com, [online], [site visited Jan. 16, 2020]. <URL: <https://babypallet.com/product/green-sprouts-dream-window-stacking-cups-6-counts/>> (Year: 2020).

amazon.com, website, image of Belkin Car Cup Holder for Smartphones, downloaded on Jan. 17, 2019.

amazon.com, website, image of Custom Accessories 23384 Heavy Cup Mount Magnetic Phone Holder, downloaded on Jan. 17, 2019.

amazon.com, website, image of Macally Adjustable Automobile Cup Holder Phone Mount, downloaded on Jan. 17, 2019.

amazon.com, website, image of Mediabridge Smartphone Cradle w/Extended Cup Holder Mount, downloaded on Jan. 17, 2019.

amazon.com, website, image of NNDA CO Universal Adjustable Gooseneck Cup Holder Cradle Car Mount For Phone, downloaded on Jan. 17, 2019.

amazon.com, website, image of Sunjoyco Car Cup Holder Mount for Phone Tablet, 2-in-1 Car Cradles Adjustable Gooseneck Holder, downloaded on Jan. 17, 2019.

amazon.com, website, image of Tackform Solutions Car Phone Holder Magnetic Mount, downloaded on Jan. 17, 2019.

amazon.com, website, image of TNP Cup Holder Phone Mount, Universal Car Cup Smartphone Cradle Clamp w/Flexible Neck, downloaded on Jan. 17, 2019.

amazon.com, website, image of USA Gear Cup Holder Suction Mount Surface Adapter, downloaded on Jan. 17, 2019.

crutchfield.com, website, image of Bracketron BT 16572 PhabGrip cup holder mount, downloaded on Jan. 17, 2019.

HDAccessory.com, website, image of Universal Smartphone Cup Holder Mount, downloaded on Jan. 17, 2019.

stacksocial.com, website, image of U-Grip Cup Holder Car Mount for Phones and Tablets, downloaded on Jan. 17, 2019.

walmart.com, website, image of Universal Adjustable Gooseneck Cup Holder Cradle Car Mount for Cell Phone, downloaded on Jan. 17, 2019.

rakuten.com, website, image of Smartphone 8" Long Car Cup Holder, IKross Phone Mount, downloaded on Jan. 17, 2019.

Macally Cell Phone Cup Holder for Car Mount, Amazon.com, Date First Available: Jun. 29, 2017, [online], [site visited Oct. 24, 2019]. <URL: <https://www.amazon.com/Macally-Samsung-Motorola-Smartphones-MCUP/dp/B002JTWRN8>> (Year: 2017).

* cited by examiner

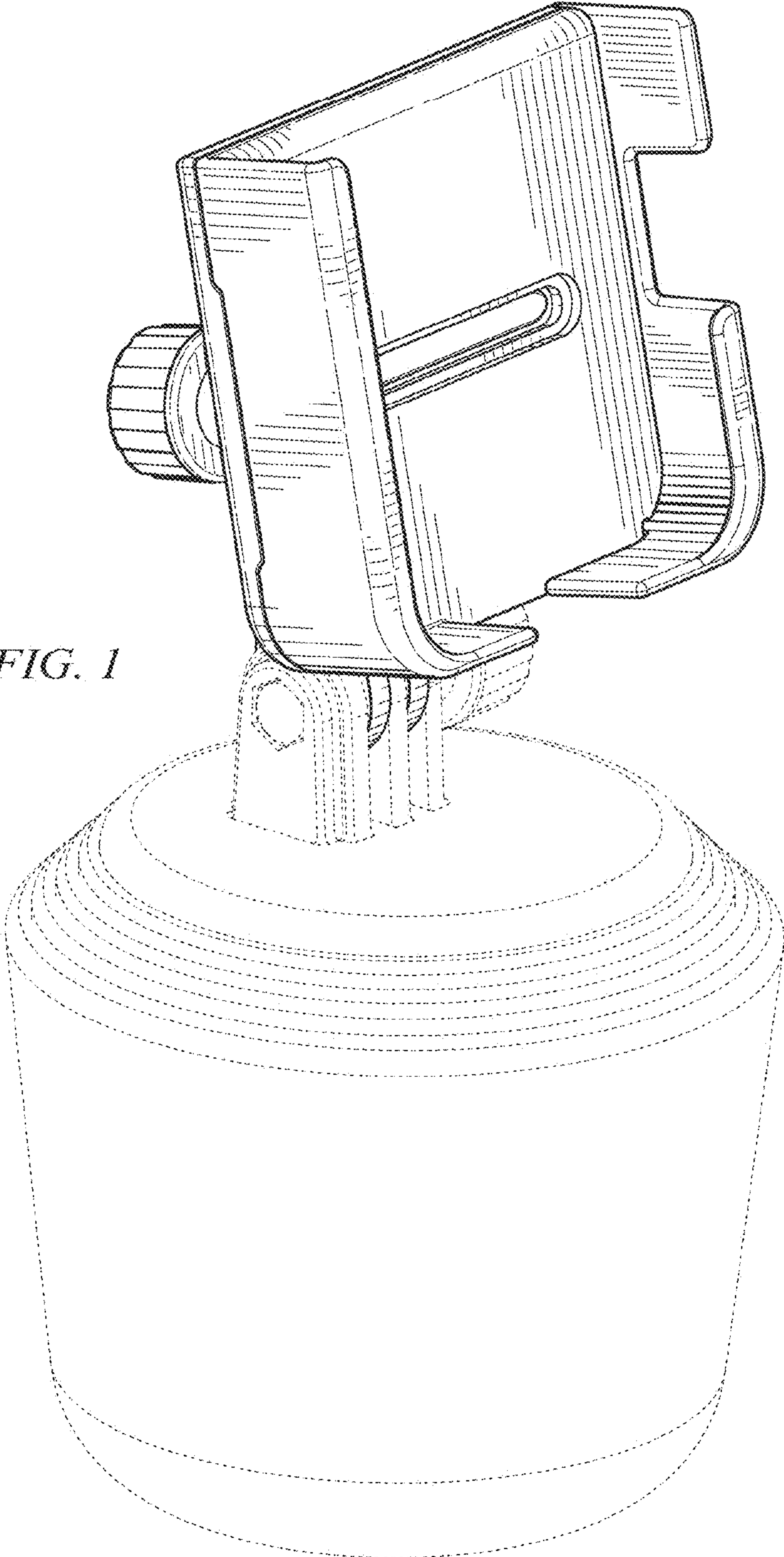


FIG. 1

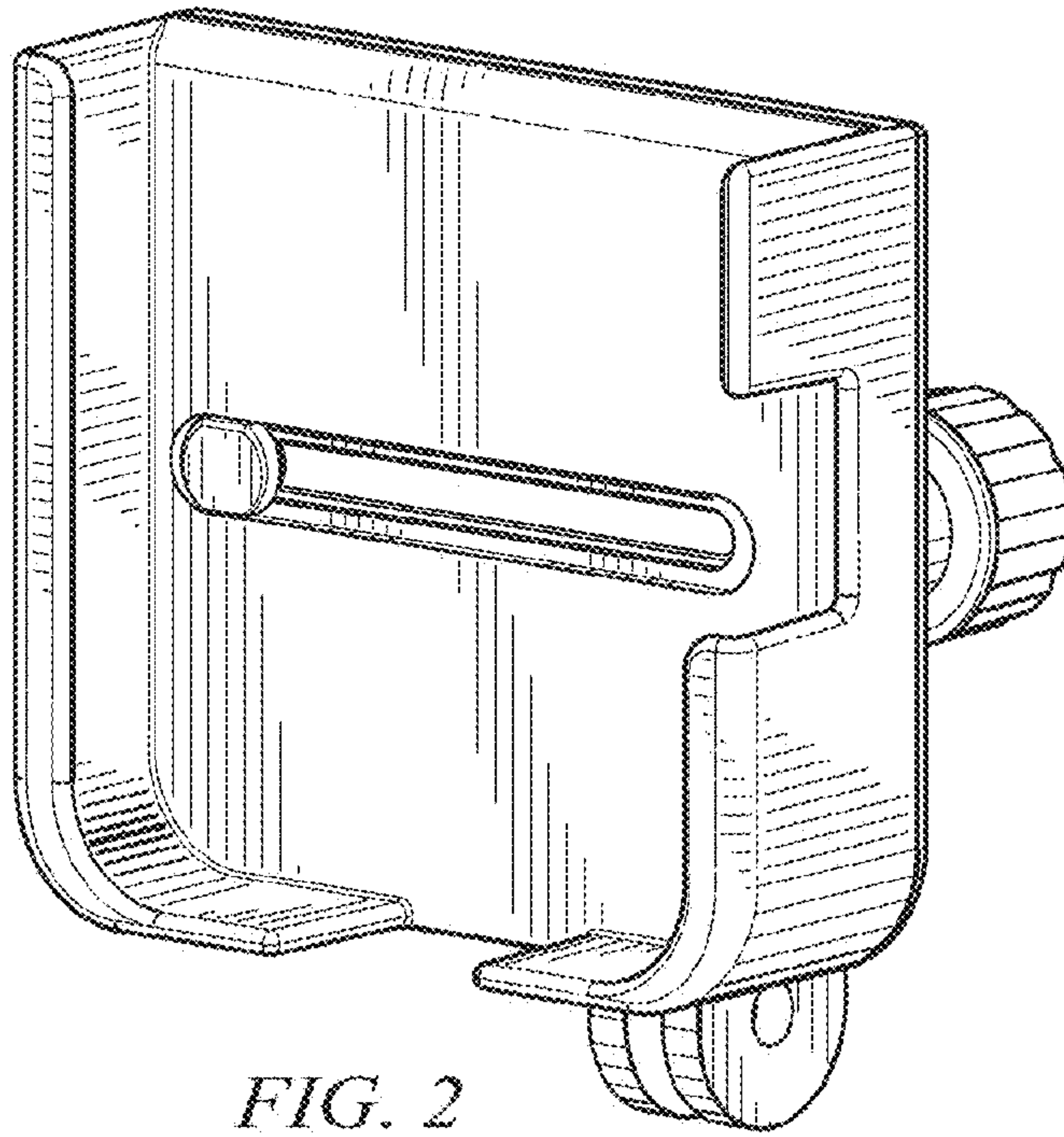


FIG. 2

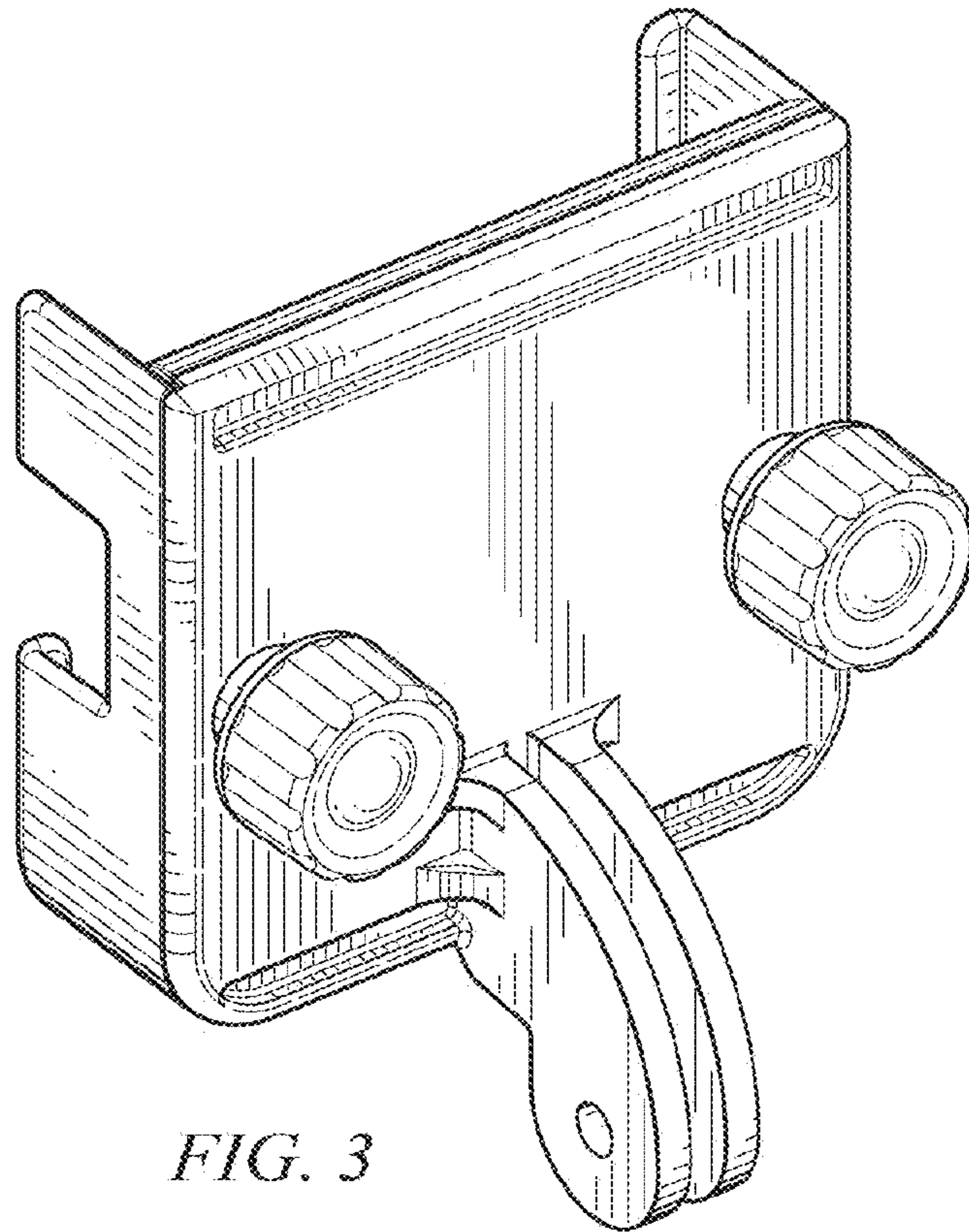


FIG. 3

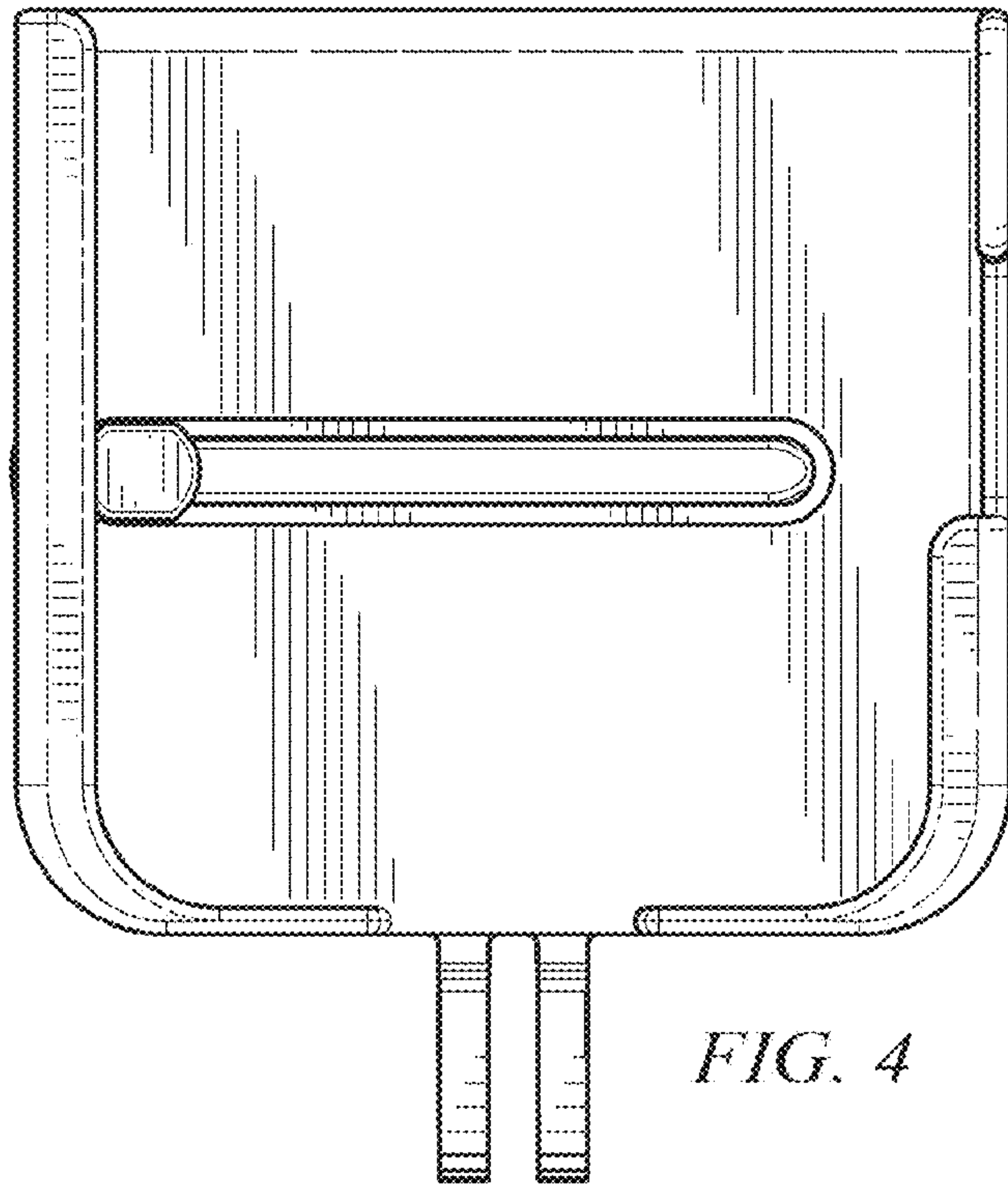


FIG. 4

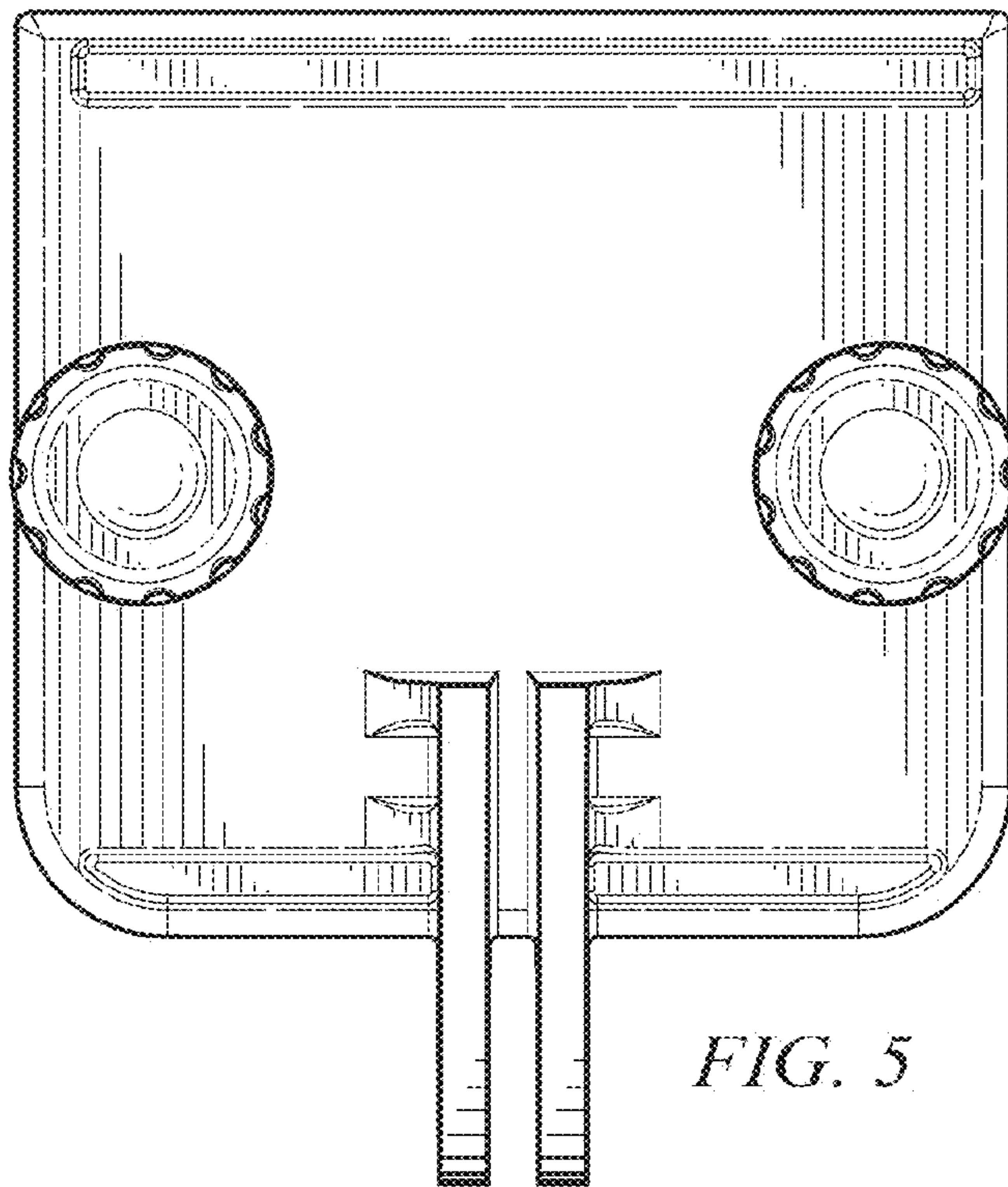


FIG. 5

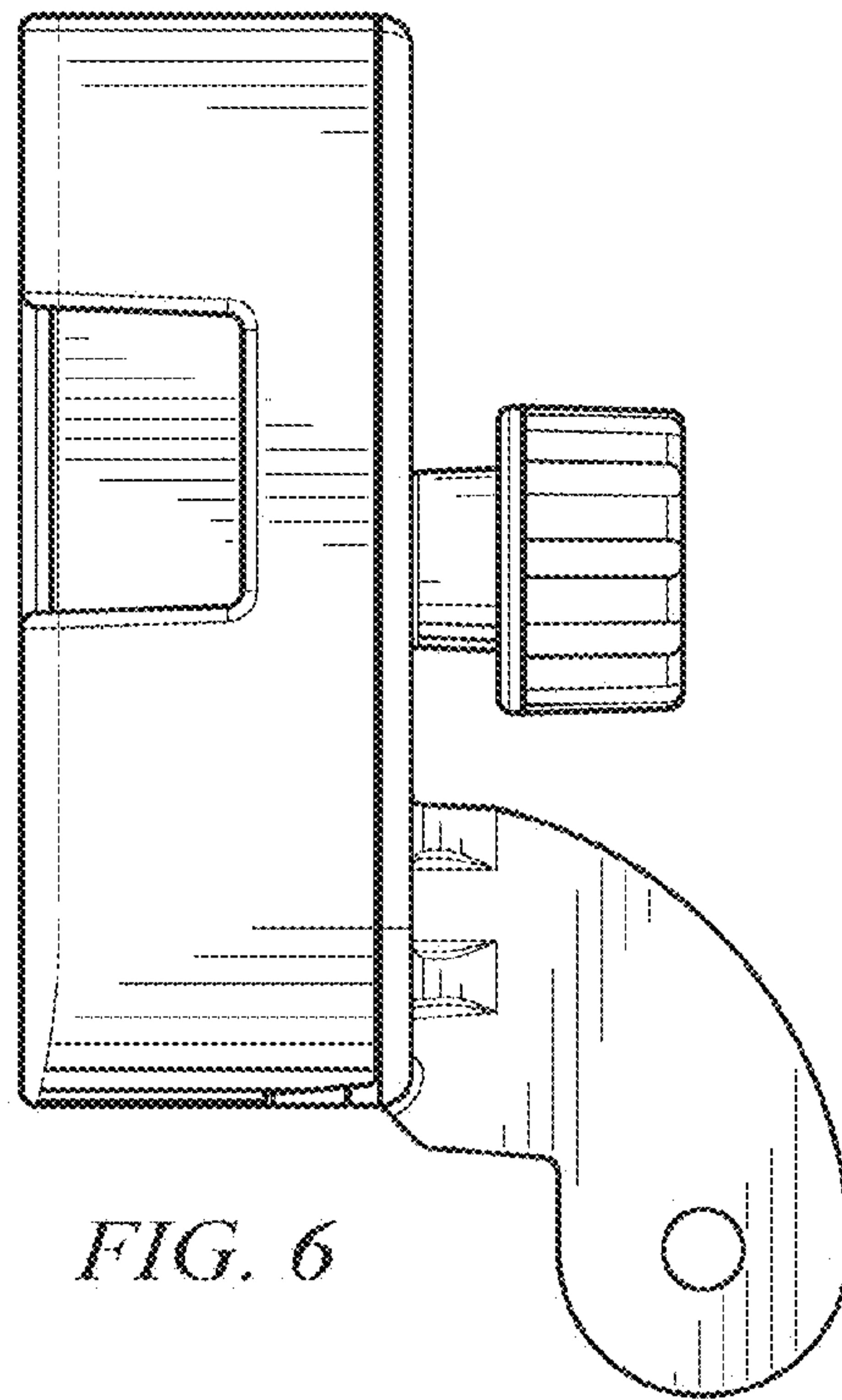


FIG. 6

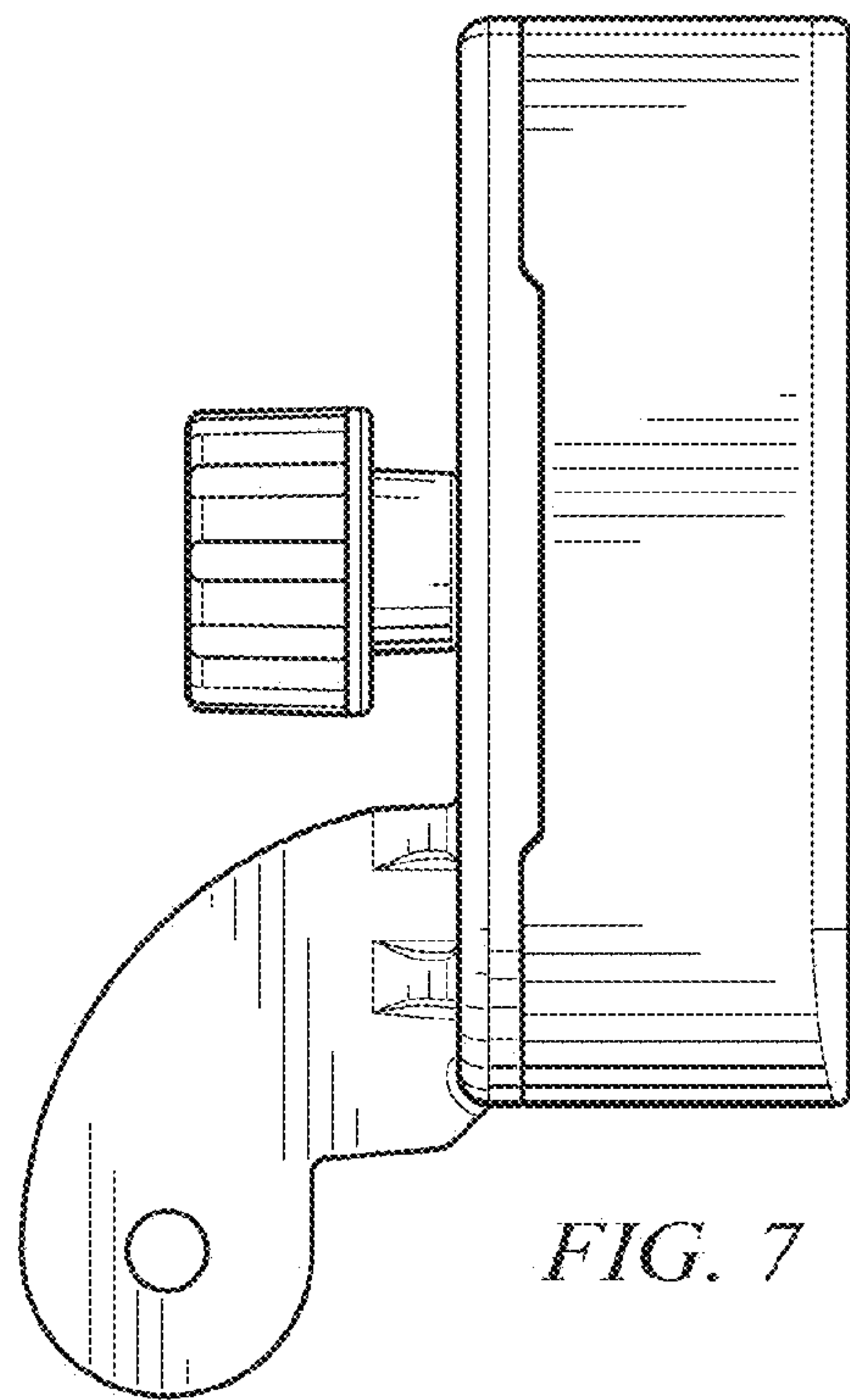


FIG. 7

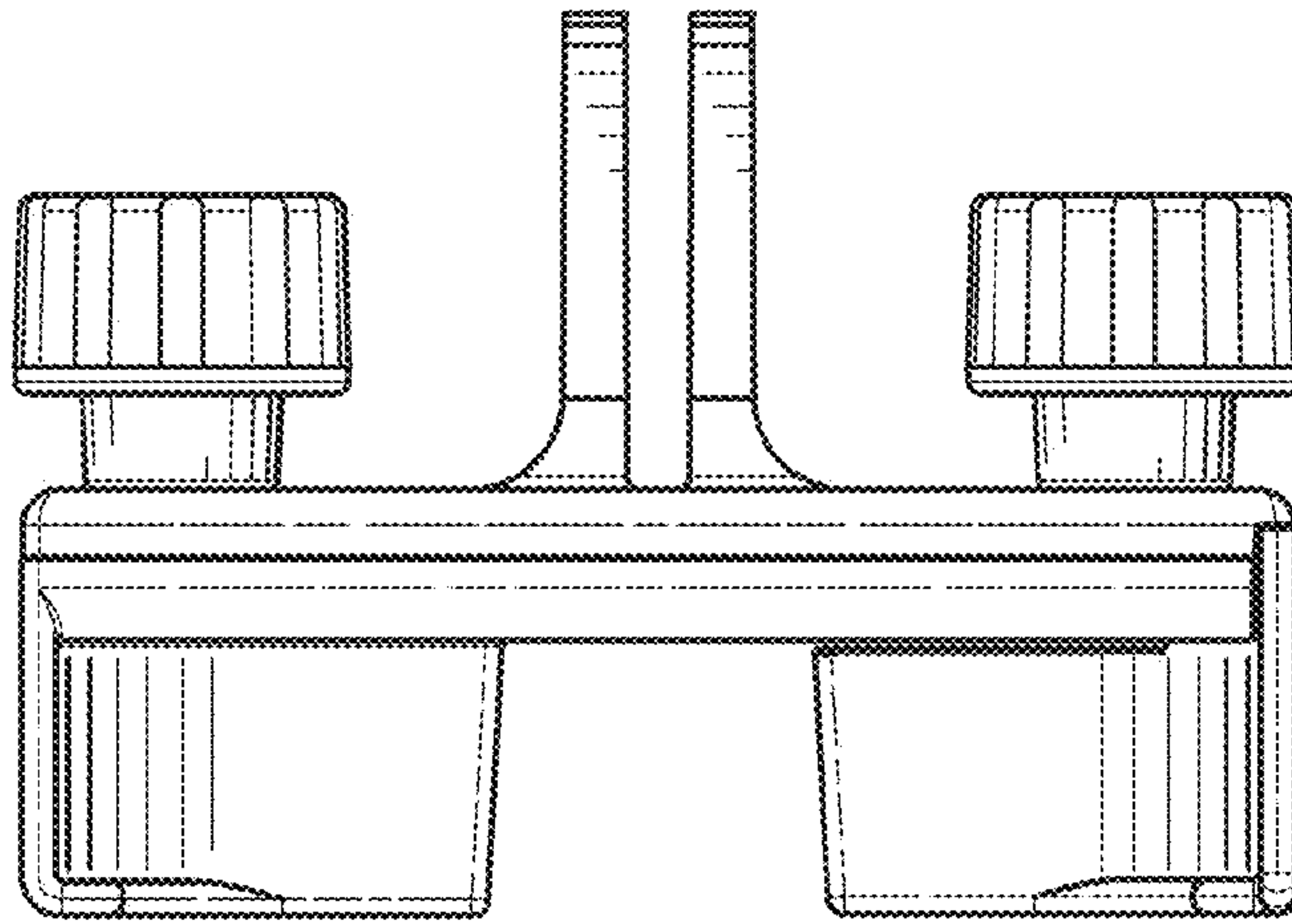


FIG. 8

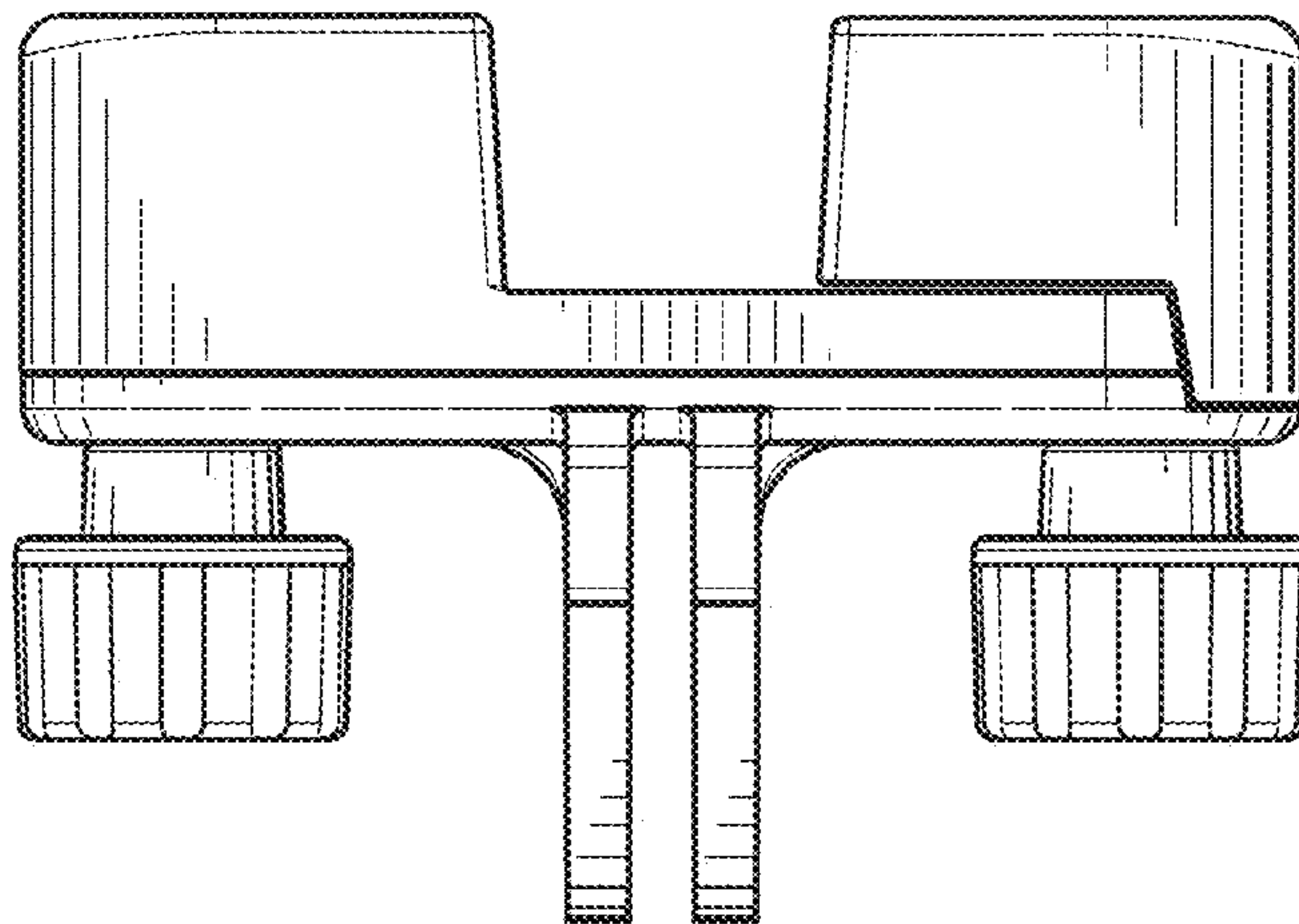


FIG. 9

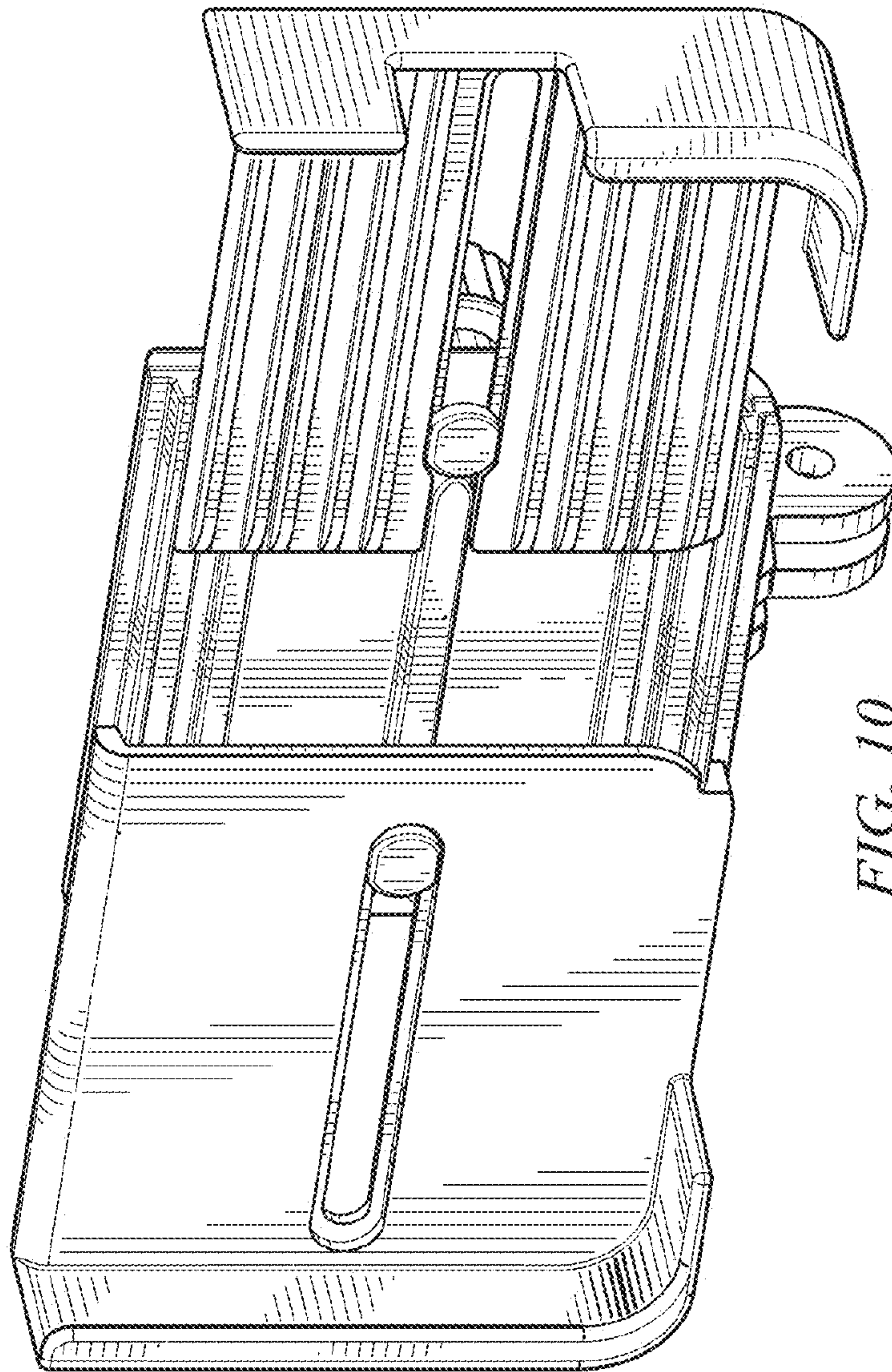


FIG. 10

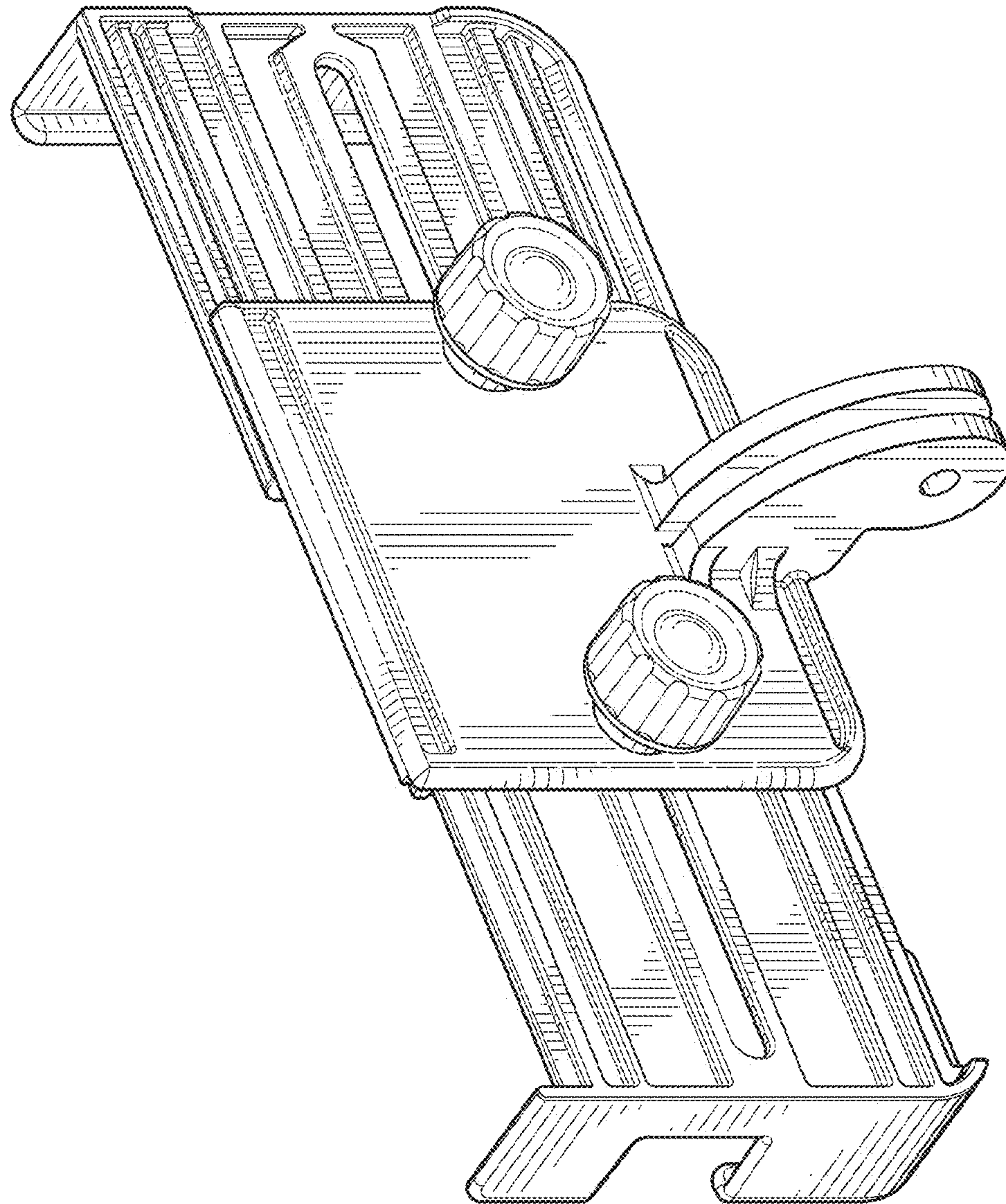


FIG. 11

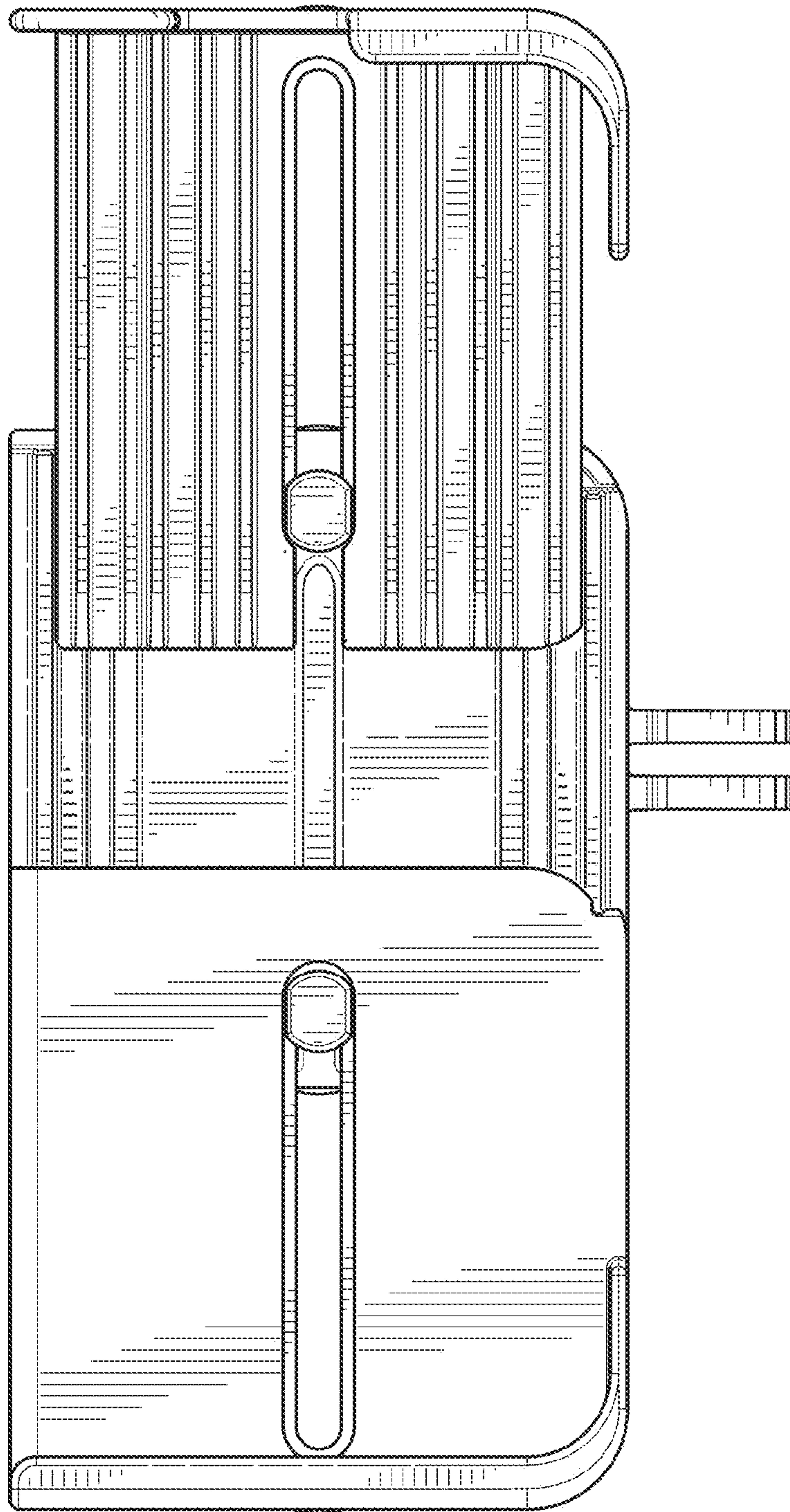


FIG. 12

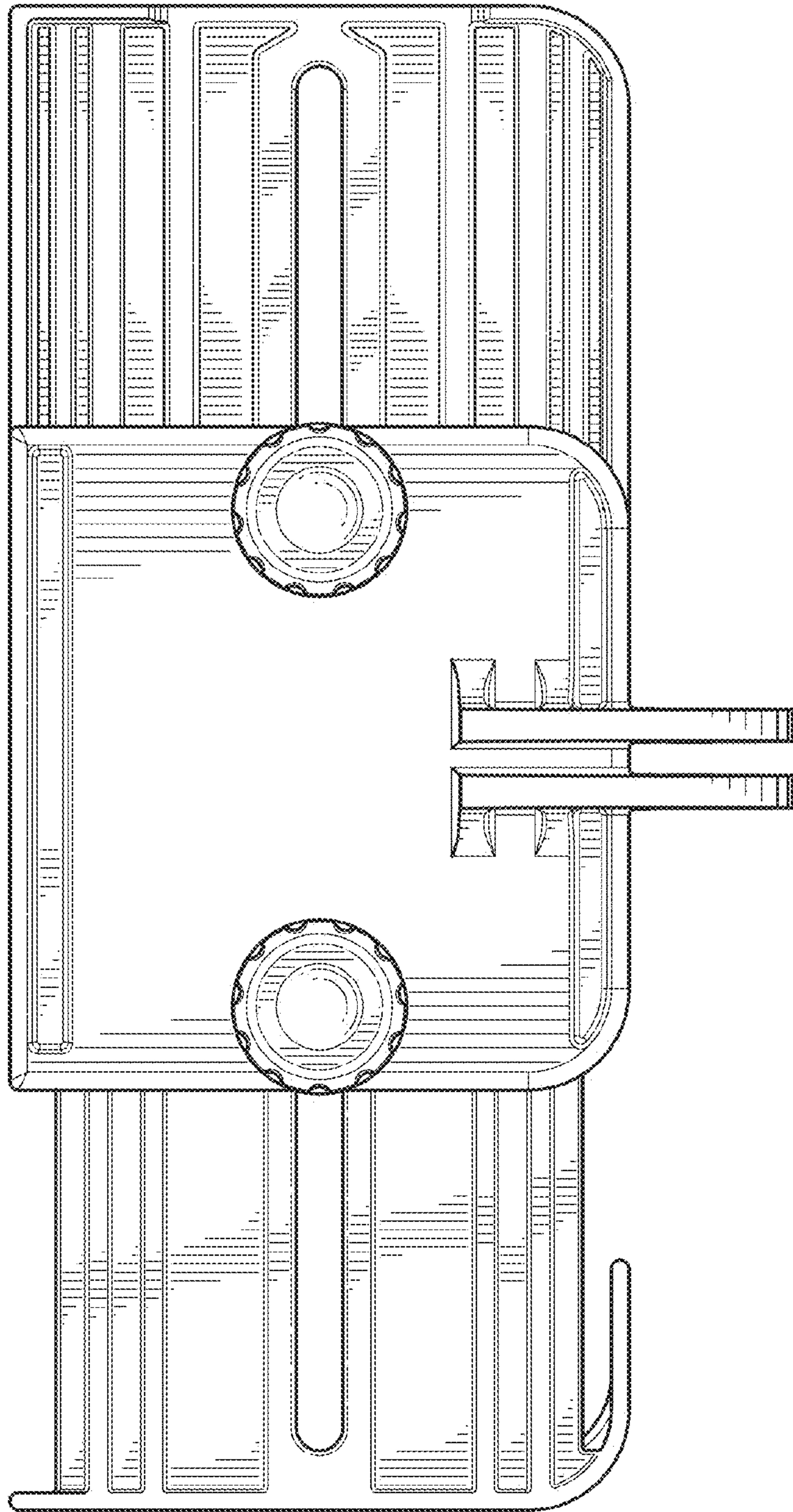


FIG. 13

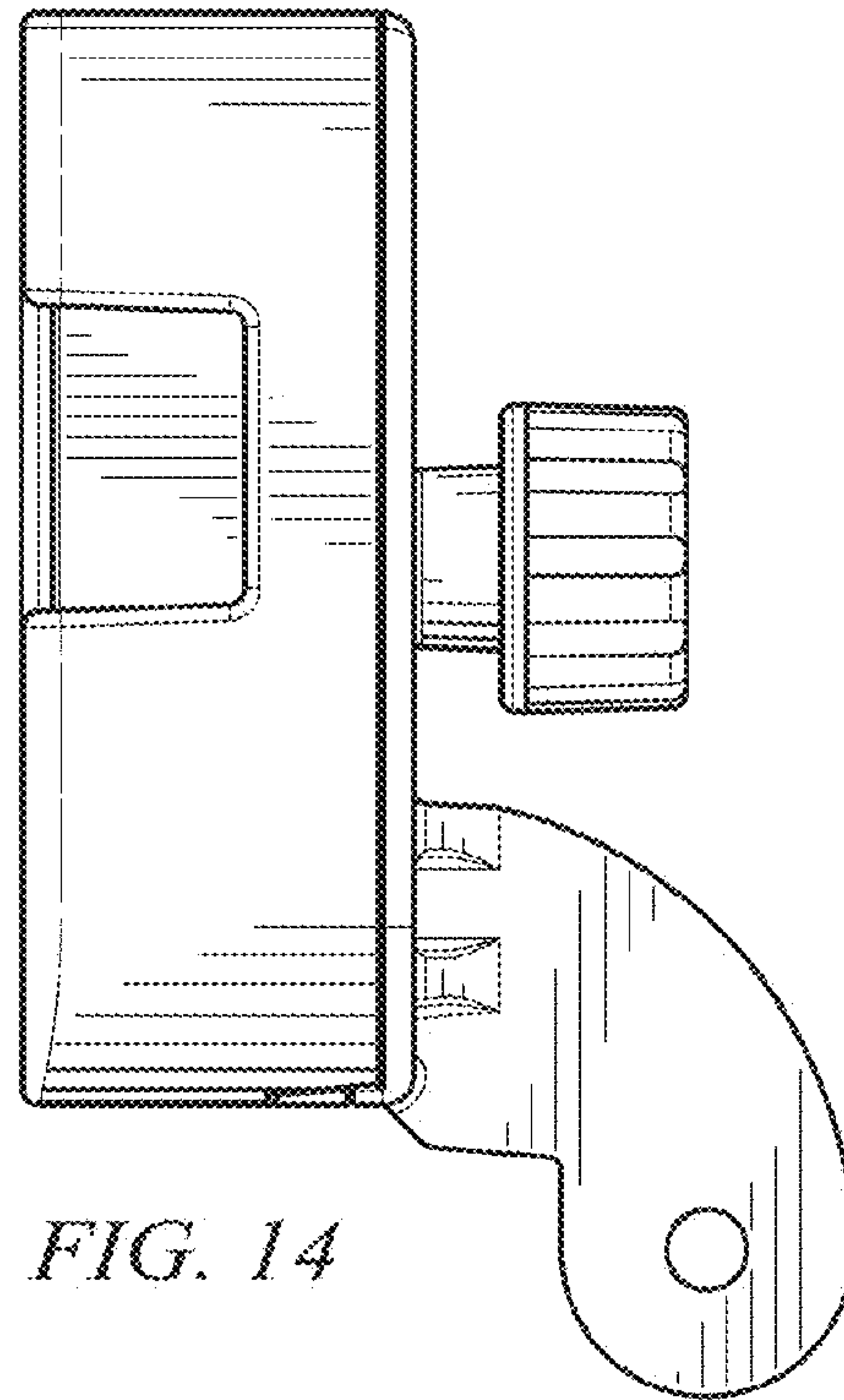


FIG. 14

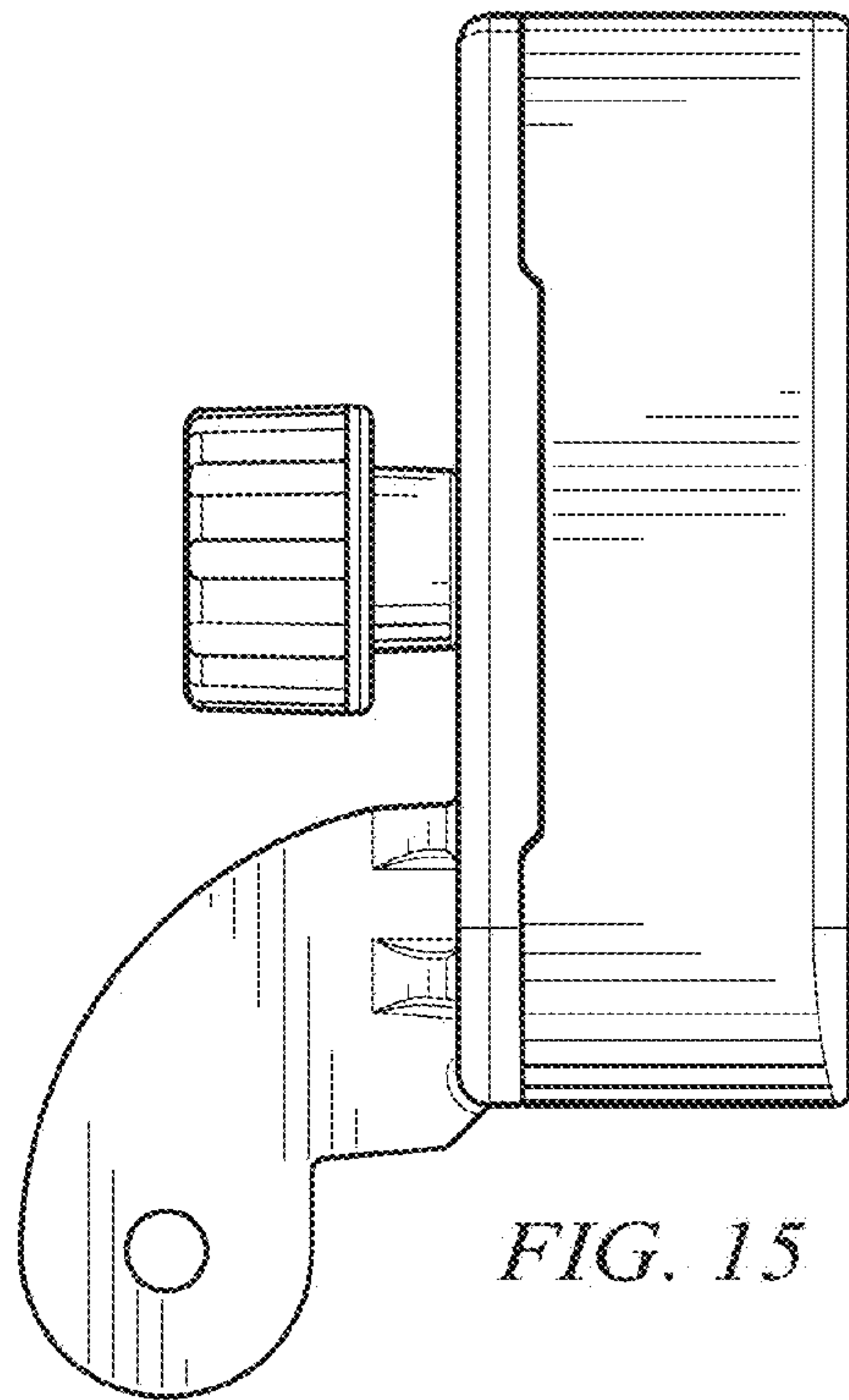


FIG. 15

