



US00D955376S

(12) **United States Design Patent**
Li

(10) **Patent No.:** **US D955,376 S**
(45) **Date of Patent:** **** Jun. 21, 2022**

- (54) **MOBILE PHONE HOLDER**
- (71) Applicant: **SHENZHEN LEADERMENT TECHNOLOGY CO., LTD.**, Shenzhen (CN)
- (72) Inventor: **Chun Bin Li**, Shenzhen (CN)
- (73) Assignee: **SHENZHEN LEADERMENT TECHNOLOGY CO., LTD.**, Shenzhen (CN)
- (**) Term: **15 Years**
- (21) Appl. No.: **29/694,810**
- (22) Filed: **Jun. 13, 2019**
- (51) **LOC (13) Cl.** **14-03**
- (52) **U.S. Cl.**
USPC **D14/253**
- (58) **Field of Classification Search**
USPC D14/251–253, 447; D12/415; D3/218; D16/244
CPC F16M 13/02; F16M 11/14; F16M 11/121; F16M 11/2007; B60R 11/0241; B60R 2011/0059; B60R 2011/0071; F16B 2001/0035; A45C 2011/002; H04M 1/04; A45F 2200/0516
See application file for complete search history.

D799,468 S *	10/2017	Chen	D14/253
D802,404 S *	11/2017	Turksu	D12/415
D806,064 S *	12/2017	Lee	D14/253
D807,339 S *	1/2018	Lan	D14/253
10,348,352 B2 *	7/2019	Barnett	F16M 13/00
10,389,860 B2 *	8/2019	Nahum	H04M 1/04
10,463,116 B2 *	11/2019	Barnett	F16M 13/04
D873,814 S *	1/2020	Yang	D14/253
D883,271 S *	5/2020	Liao	D14/253
D888,703 S *	6/2020	Liao	D14/253
D911,324 S *	2/2021	Wu	D14/253
D919,963 S *	5/2021	Fabec	D3/218
D928,771 S *	8/2021	Barnett	H04M 1/04
				D14/251
2016/0318455 A1 *	11/2016	Zhang	F16M 11/2021
2017/0035172 A1 *	2/2017	Kim	F16M 11/041
2019/0211966 A1 *	7/2019	Nahum	F16M 11/00
2019/0215391 A1 *	7/2019	Chiang	F16M 11/38

* cited by examiner

Primary Examiner — Janice Hallmark
(74) *Attorney, Agent, or Firm* — Law Offices of Steven W. Weinrieb

(57) **CLAIM**

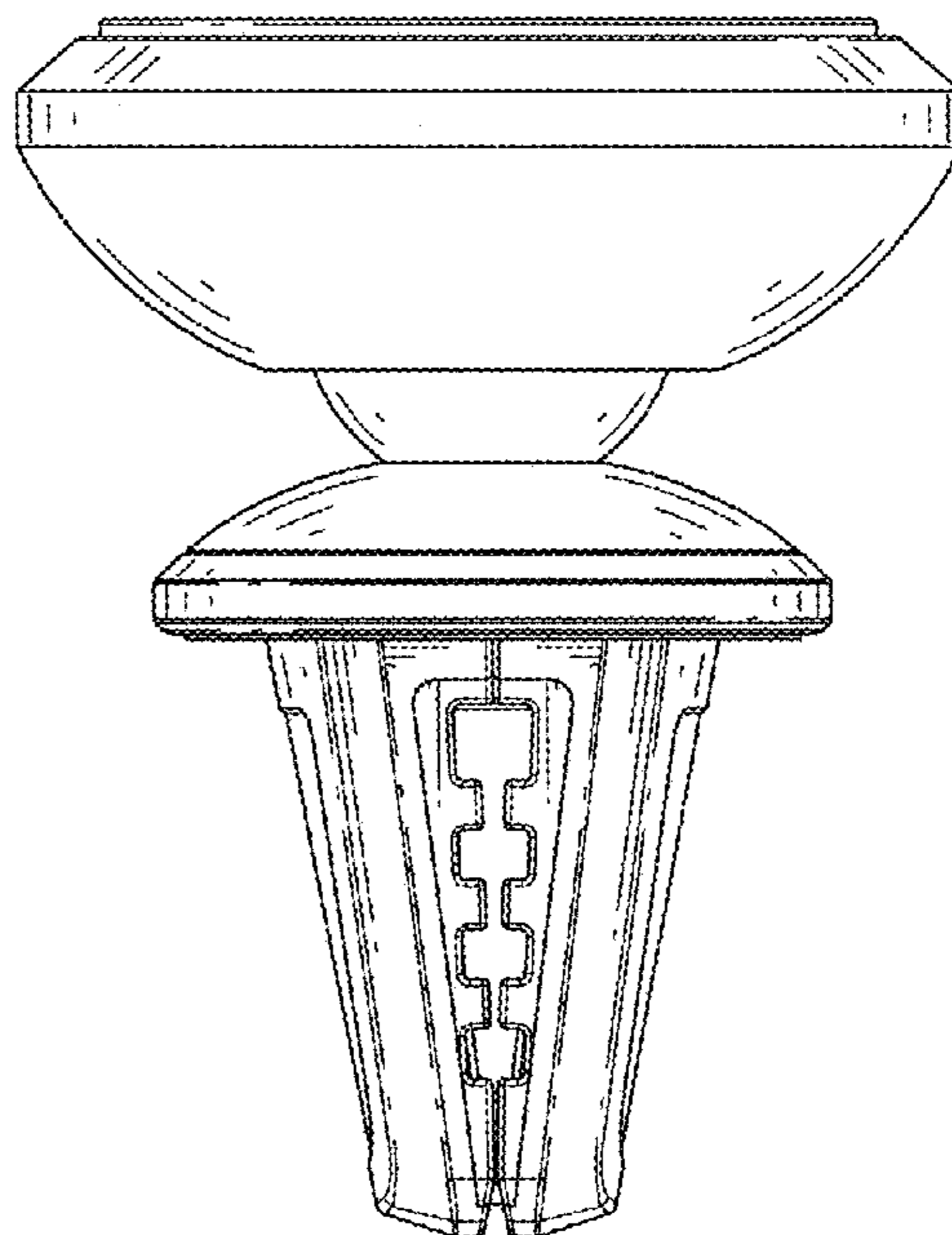
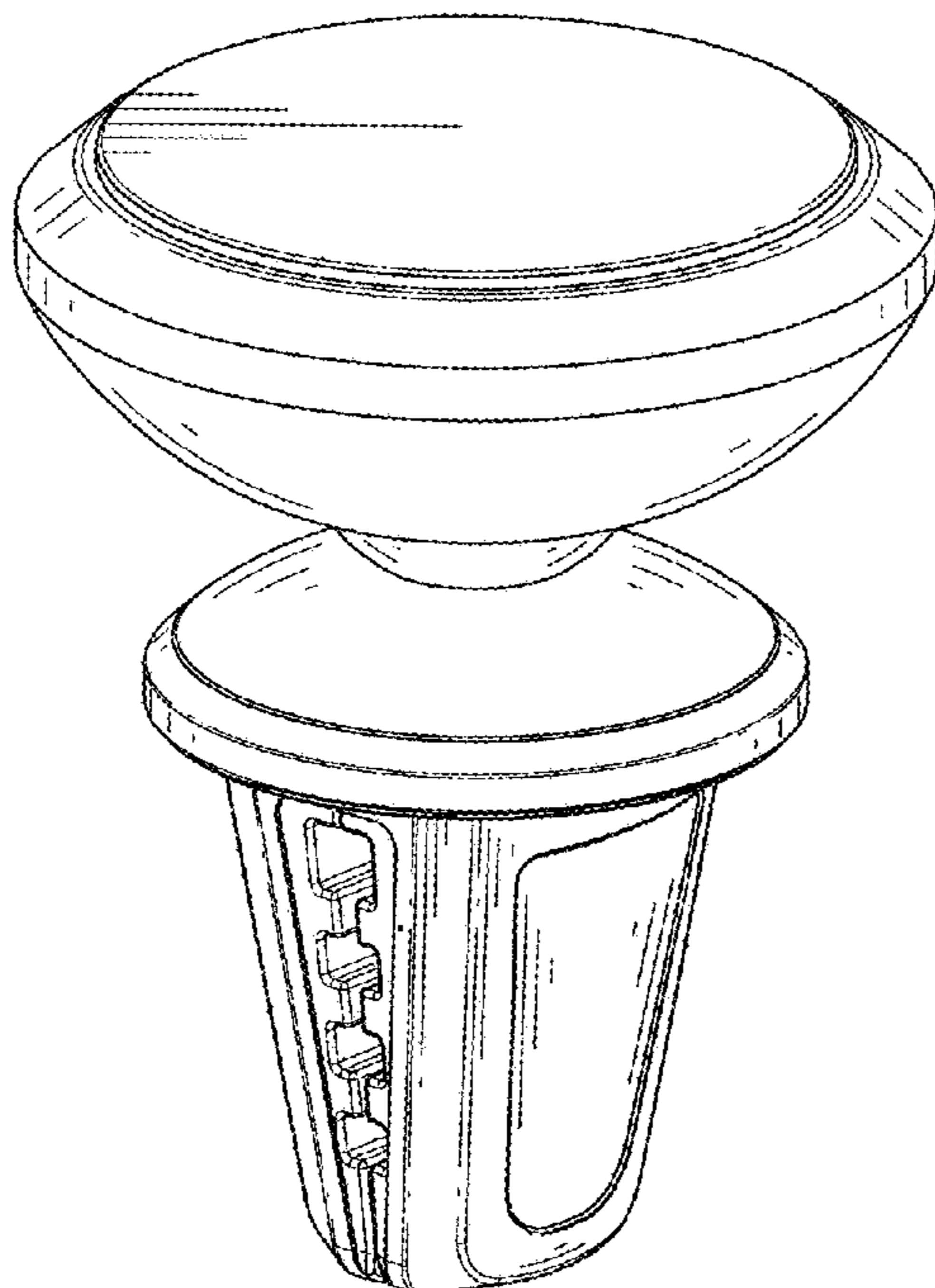
The ornamental design for a mobile phone holder, as shown and described.

DESCRIPTION

FIG. 1 is a front, left side, top perspective view of a mobile phone holder showing my new design; FIG. 2 is a to plan view thereof; FIG. 3 is a bottom plan view thereof; FIG. 4 is a left side elevational view thereof; FIG. 5 is a right side elevational view thereof; FIG. 6 is a front elevational view thereof; and, FIG. 7 is a rear elevational view thereof.

1 Claim, 7 Drawing Sheets

- (56) **References Cited**
U.S. PATENT DOCUMENTS
D411,209 S * 6/1999 Richter D14/253
D748,615 S * 2/2016 Lee D14/251
D783,593 S * 4/2017 Chen D14/253
D789,920 S * 6/2017 Zhang D14/253
D794,607 S * 8/2017 Srouf D3/218



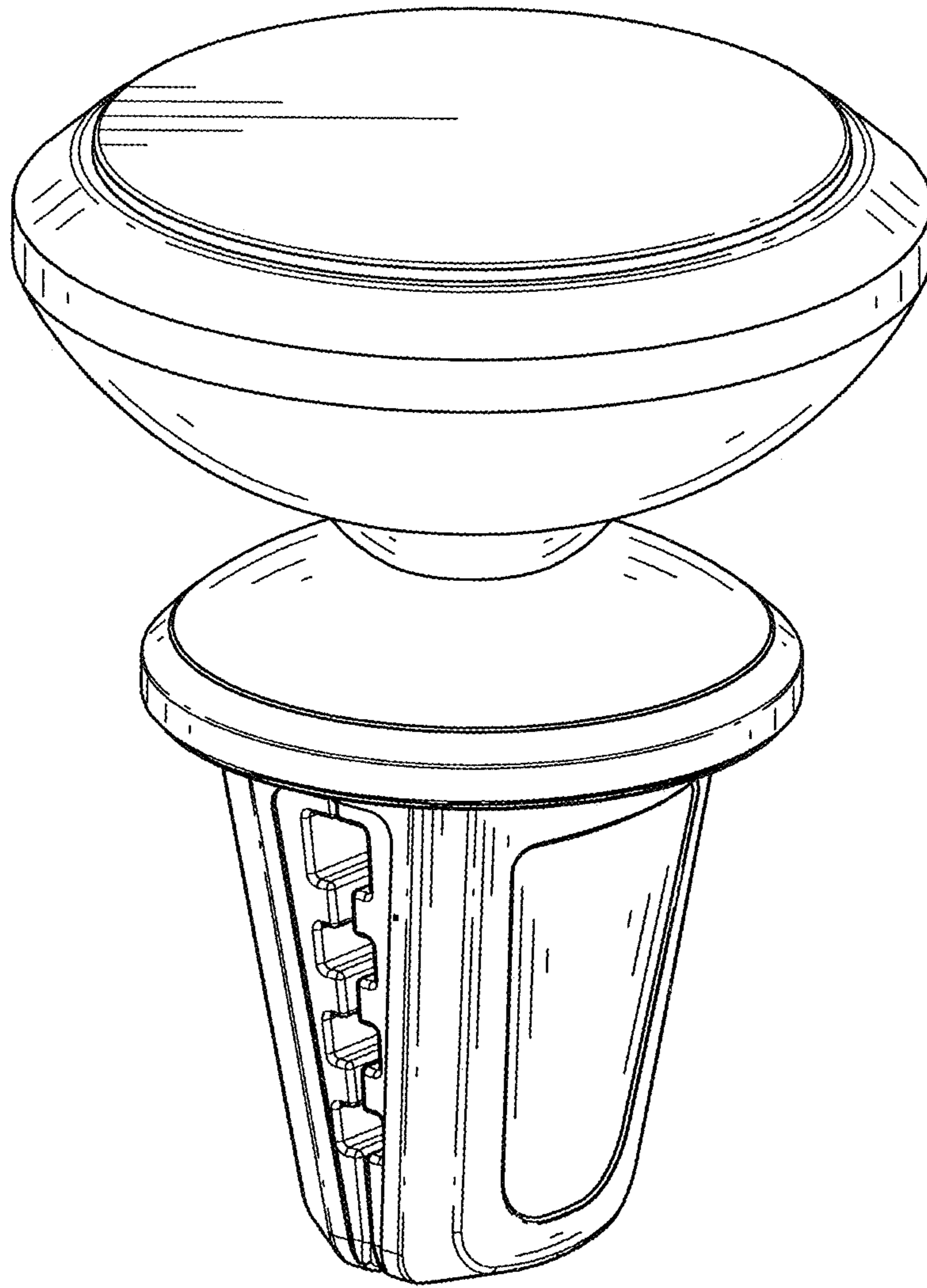


FIG.1

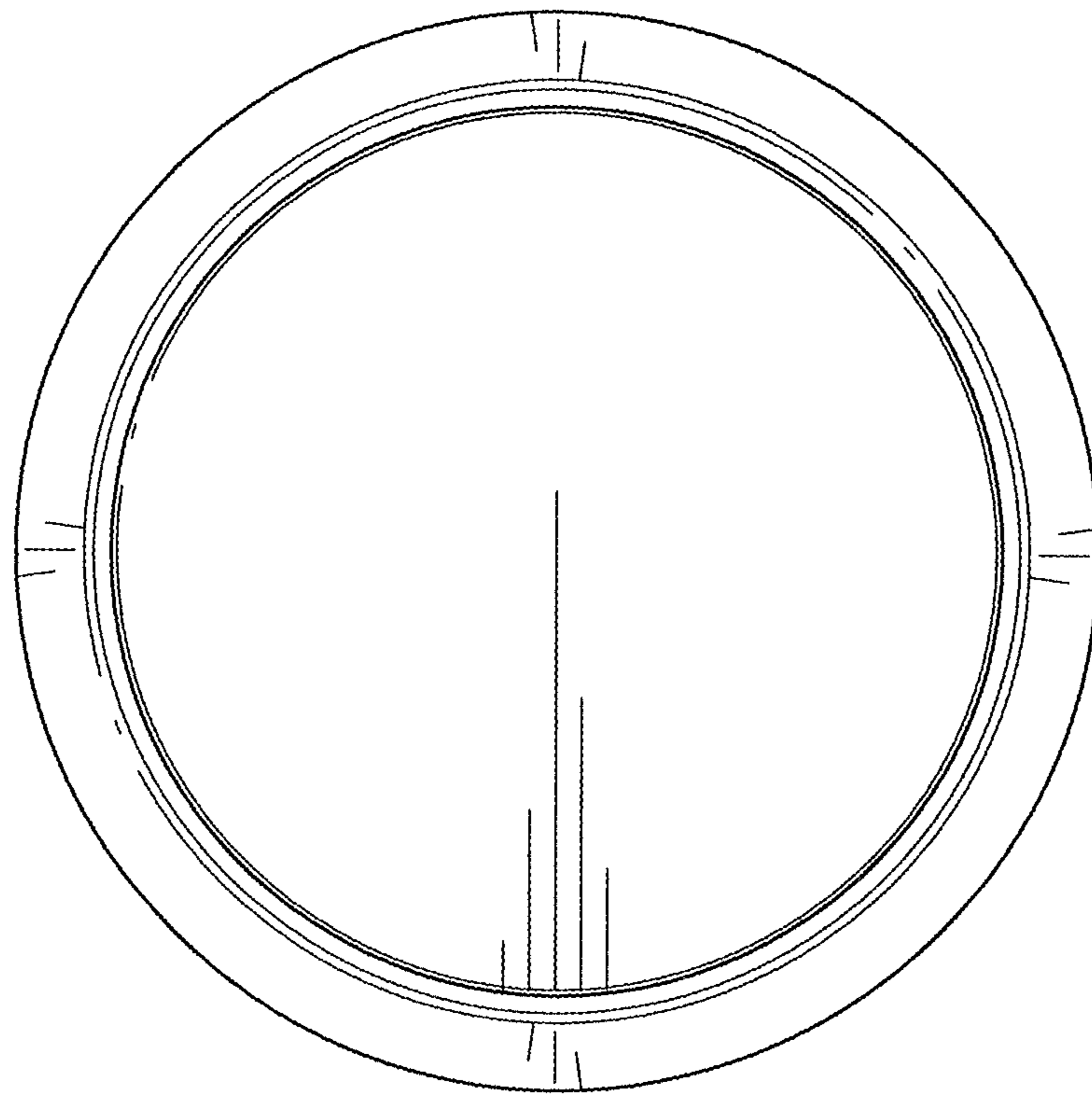


FIG.2

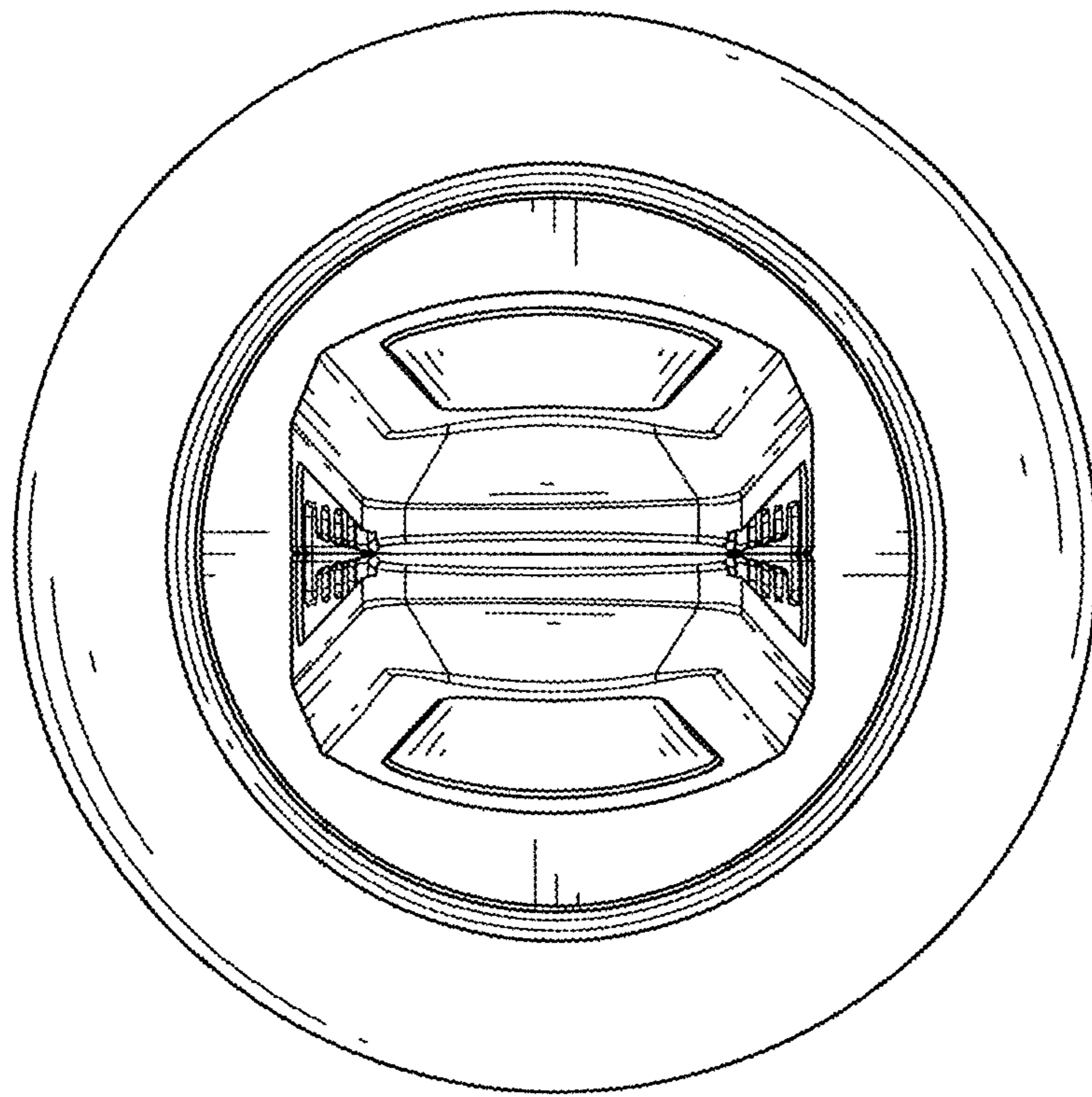


FIG.3

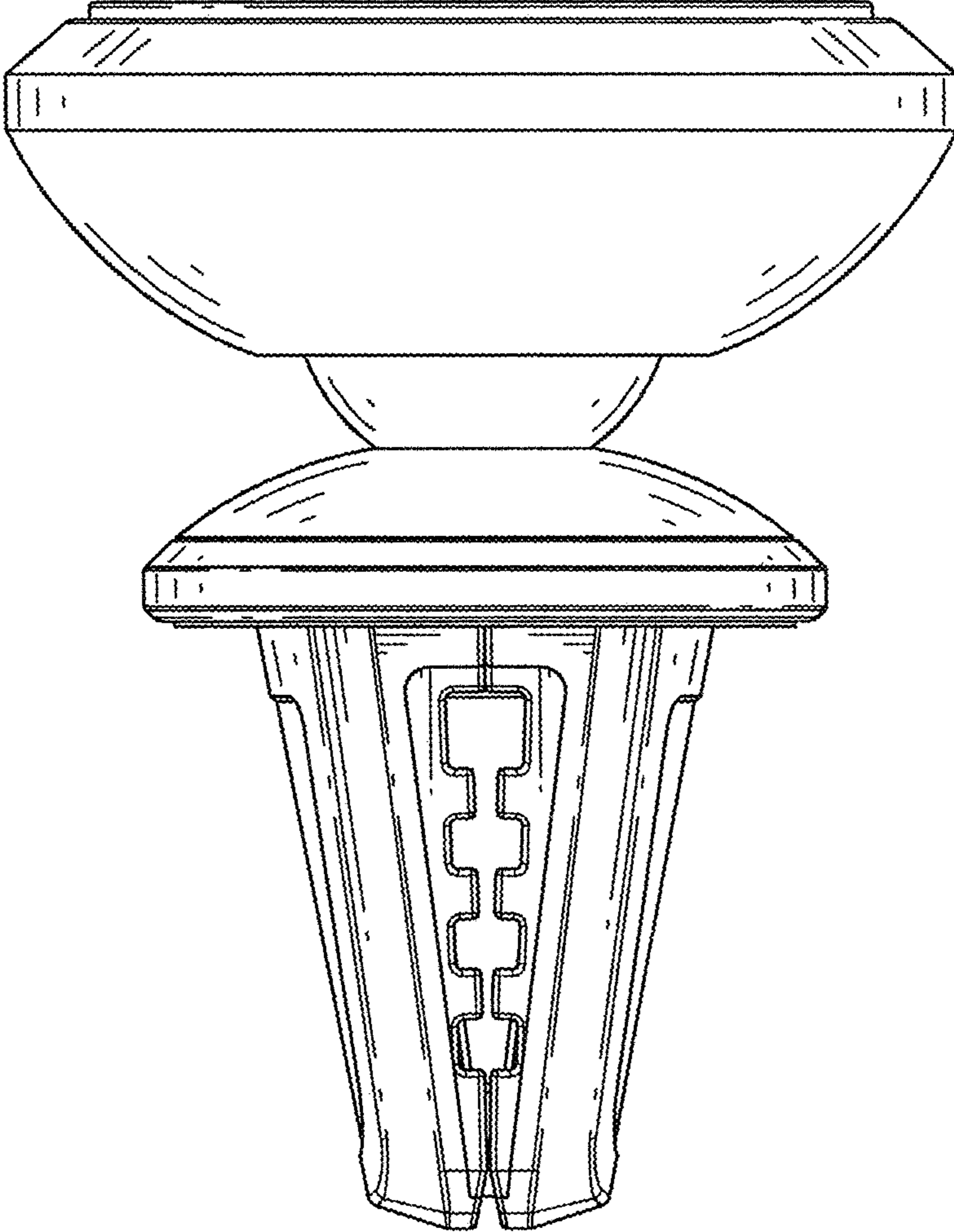


FIG.4

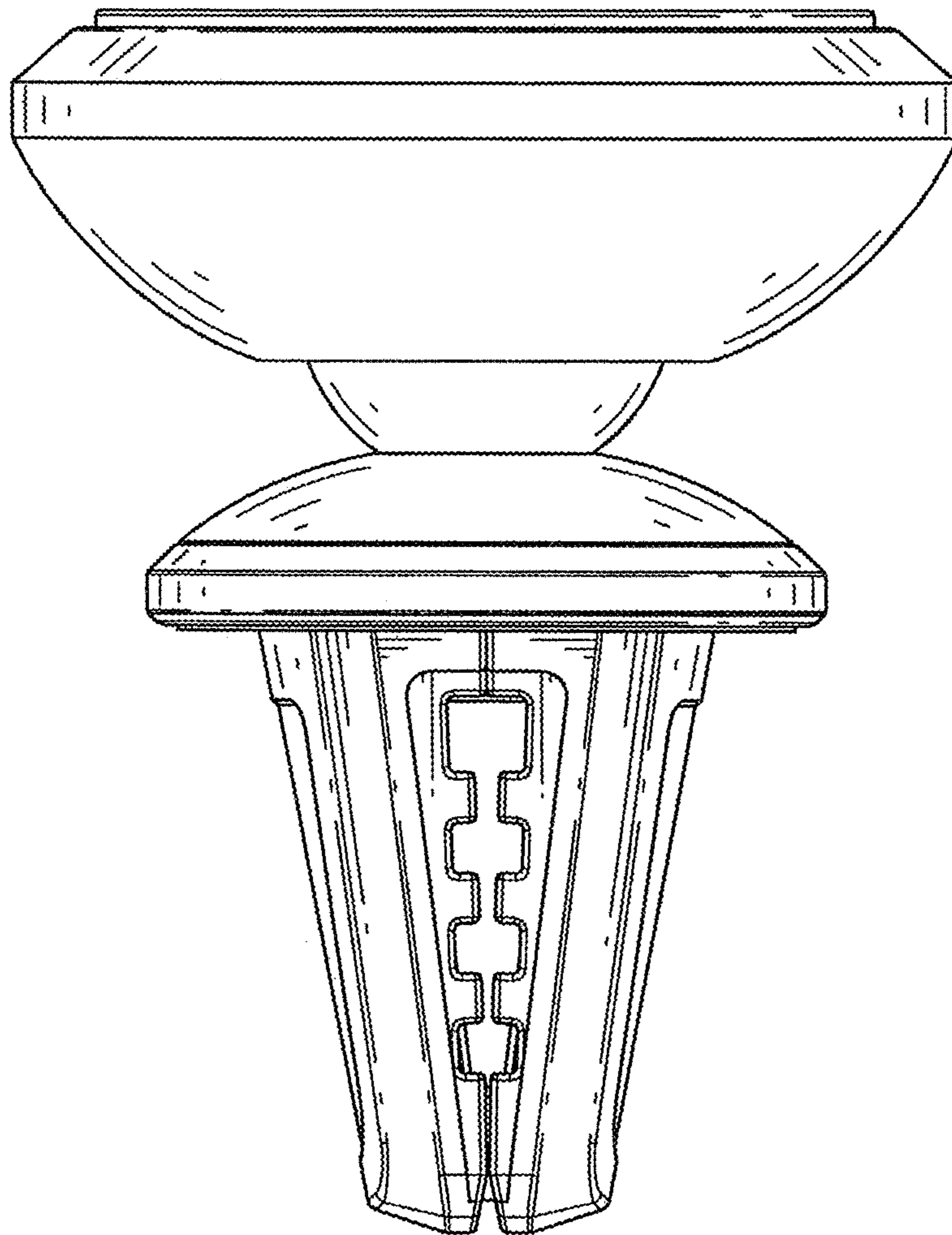


FIG.5

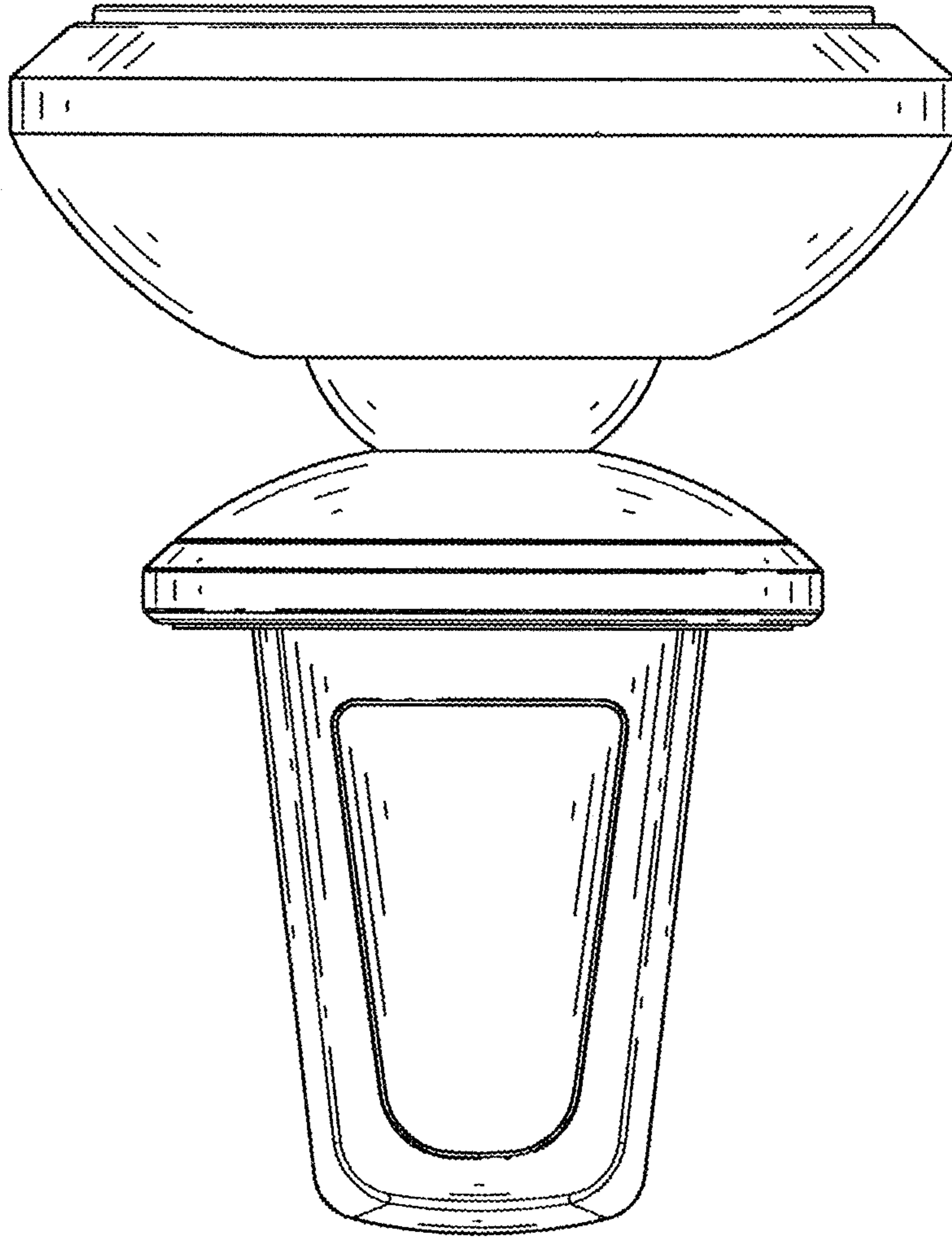


FIG.6

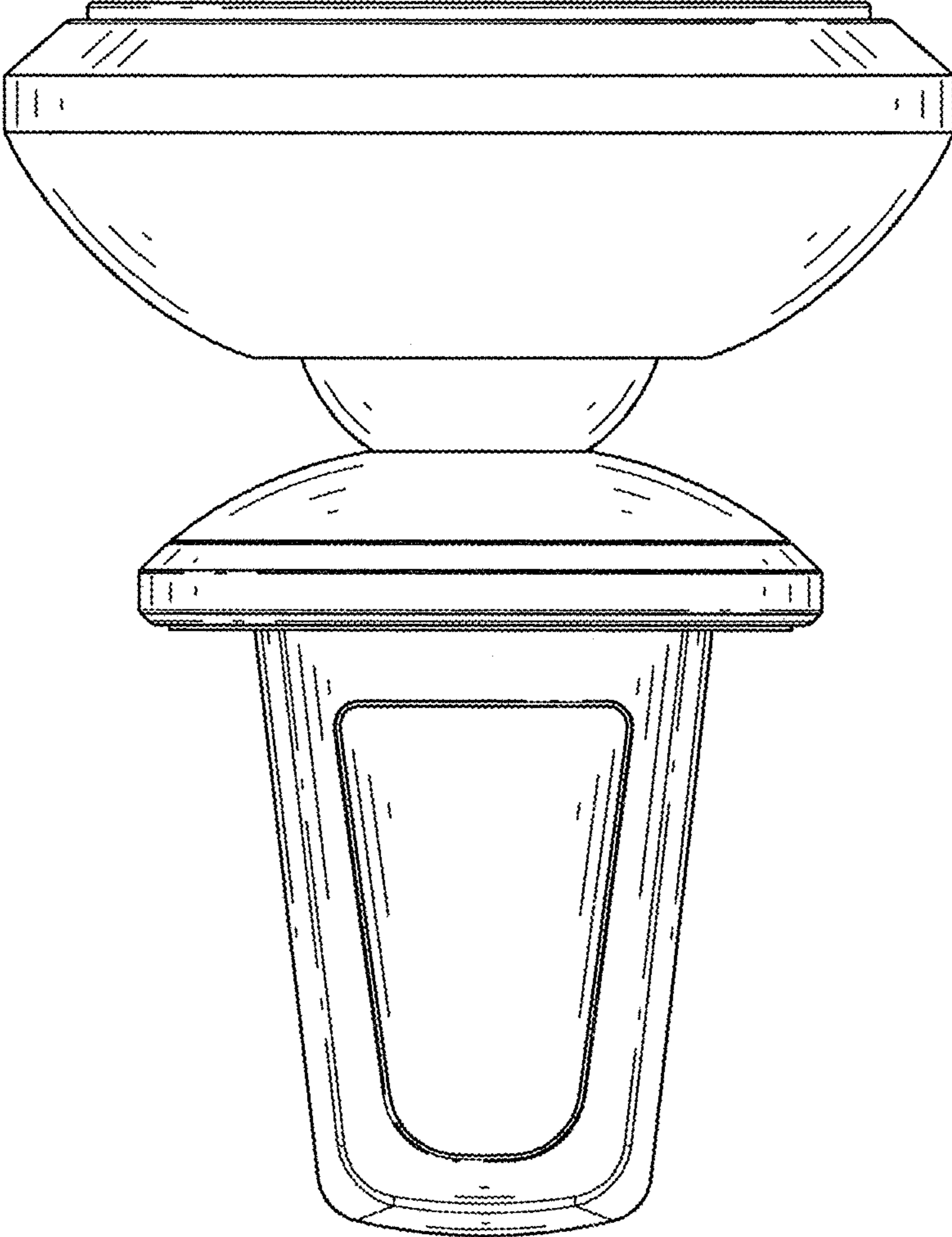


FIG. 7