



US00D955375S

(12) **United States Design Patent** (10) **Patent No.:** **US D955,375 S**
Ma (45) **Date of Patent:** **** Jun. 21, 2022**

(54) **KICKSTAND CASE FOR MOBILE PHONE**

(71) Applicant: **Sileng Ma**, Guangdong (CN)

(72) Inventor: **Sileng Ma**, Guangdong (CN)

(**) Term: **15 Years**

(21) Appl. No.: **29/800,439**

(22) Filed: **Jul. 21, 2021**

(51) **LOC (13) Cl.** **14-03**

(52) **U.S. Cl.**
USPC **D14/250**

(58) **Field of Classification Search**
USPC D14/250, 251, 253, 439, 440, 447,
D14/203.3–203.7, 217, 238, 240, 248;
D13/103, 107; D3/247, 249
CPC A45C 11/00; A45C 2011/002; A45C
2011/003; A45C 13/002; A45F
2200/0516; H04B 1/3888; H04M 1/04;
H04M 1/0202; H04M 1/0283
See application file for complete search history.

(56) **References Cited**

U.S. PATENT DOCUMENTS

D679,271 S *	4/2013	Liu	D13/103
D706,254 S *	6/2014	Chang	D14/217
D721,373 S *	1/2015	Logereau	D14/432
D749,068 S	2/2016	Zaborski et al.		
D763,239 S *	8/2016	Chan	D14/250
D774,500 S *	12/2016	Reese	D14/250
D776,104 S *	1/2017	Tien	D14/250
D780,166 S *	2/2017	Lin	D14/250
D780,167 S *	2/2017	Tien	D14/250
D810,065 S *	2/2018	Tien	D14/250
D810,066 S *	2/2018	Tien	D14/250
D827,628 S *	9/2018	Kim	D14/250
D829,700 S *	10/2018	Kim	D14/250
D831,633 S *	10/2018	Jung	D14/250
D848,409 S	5/2019	Feng		

D853,372 S *	7/2019	Kim	D14/250
D860,984 S *	9/2019	Stagge	D14/250
D862,446 S *	10/2019	Jia	D14/250
D894,889 S *	9/2020	Feller	D14/251
D894,890 S *	9/2020	Lederer	D14/253
D898,016 S *	10/2020	Liang	D14/250
D902,912 S *	11/2020	Kim	D14/250
D915,386 S *	4/2021	Zhou	D14/250
D916,073 S *	4/2021	Li	D14/253

(Continued)

Primary Examiner — Michelle E. Wilson

Assistant Examiner — Clese Moore, Jr.

(74) *Attorney, Agent, or Firm* — ScienBiziP, P.C.

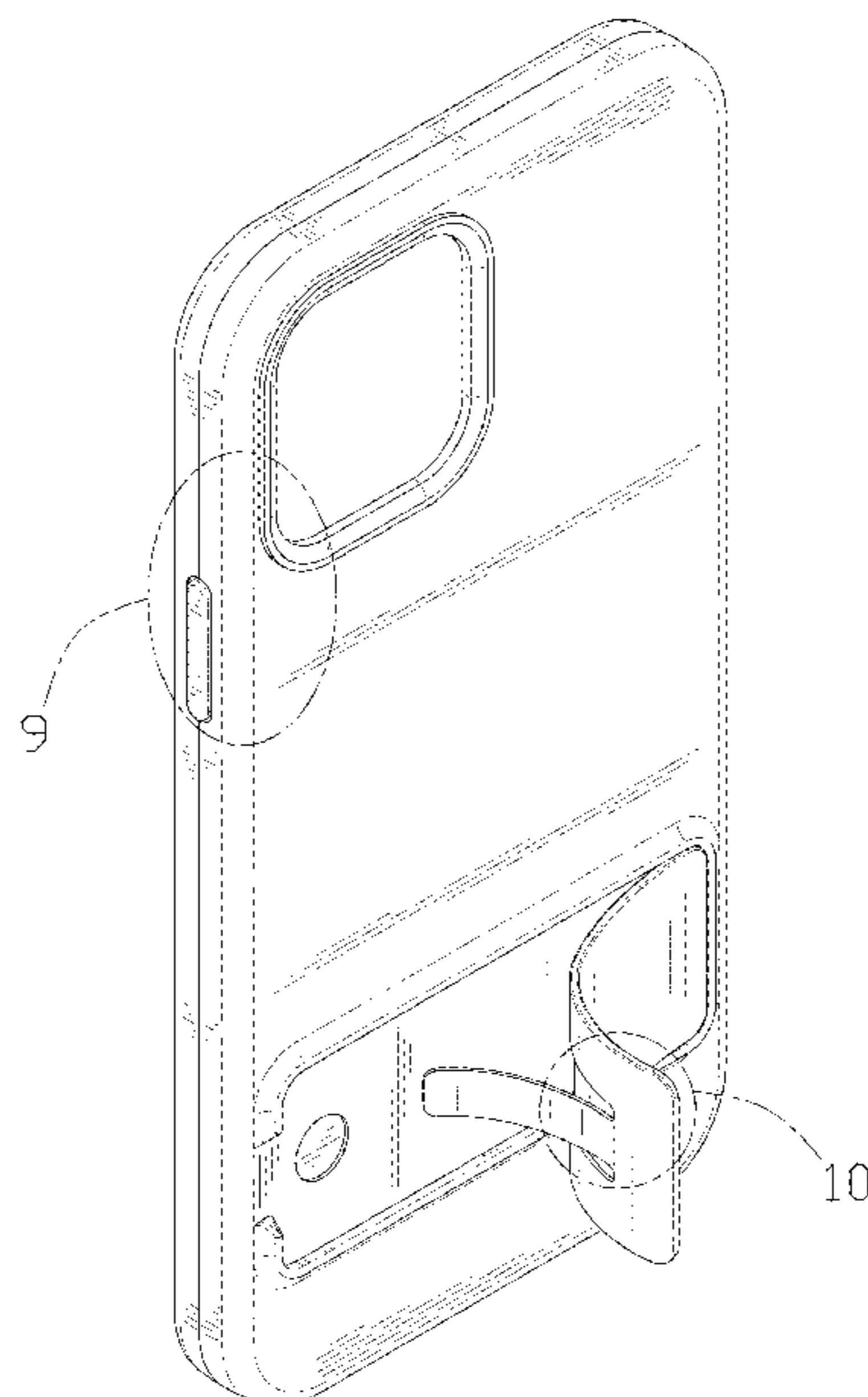
(57) **CLAIM**

The ornamental design for a kickstand case for mobile phone, as shown and described.

DESCRIPTION

FIG. 1 is a front, left, and top perspective view of a kickstand case for mobile phone, showing my design.
 FIG. 2 is a rear, right, and bottom perspective view thereof.
 FIG. 3 is a front elevation view thereof.
 FIG. 4 is a rear elevation view thereof.
 FIG. 5 is a left side elevation view thereof.
 FIG. 6 is a right side elevation view thereof.
 FIG. 7 is a top plan view thereof.
 FIG. 8 is a bottom plan view thereof.
 FIG. 9 is a partial enlarged view of an area labeled 9 in FIG. 1 comprising a knob.
 FIG. 10 is a partial enlarged view of an area labeled 10 in FIG. 1 comprising a part of a stand; and,
 FIG. 11 is another front, left, and top perspective view of the kickstand case for mobile phone of FIG. 1, wherein a stand of the kickstand case for mobile phone is in a folded state.
 The broken lines shown in the drawings are included for the purpose of illustrating portions of the kickstand case for mobile phone that form no part of the claimed design.

1 Claim, 11 Drawing Sheets



(56)

References Cited

U.S. PATENT DOCUMENTS

D917,446 S * 4/2021 Ham D14/250
2012/0006950 A1* 1/2012 Vandiver F16M 13/00
248/176.3
2017/0033824 A1* 2/2017 Tien H04B 1/3888
2018/0041237 A1* 2/2018 Mody H04M 1/04

* cited by examiner

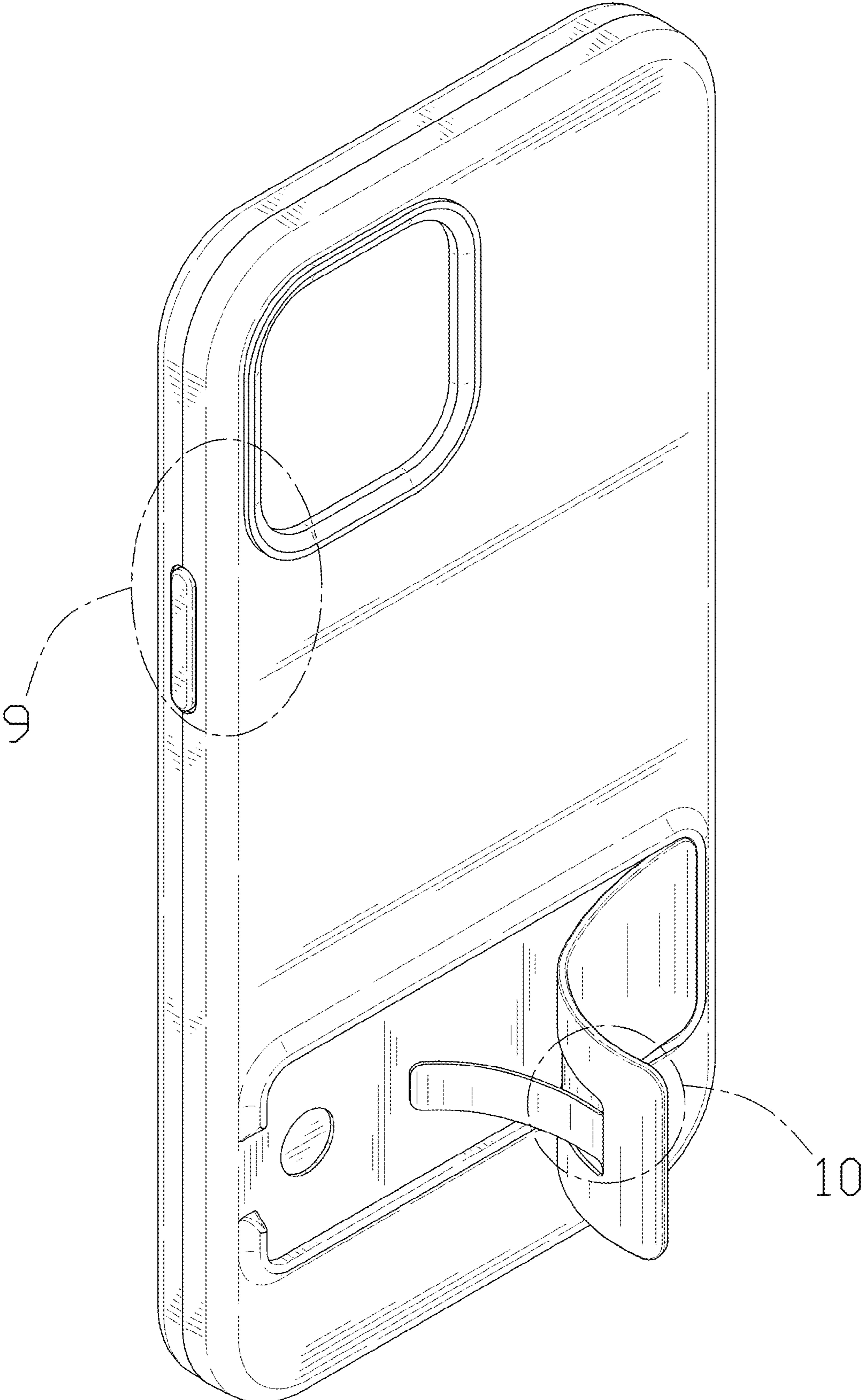


FIG. 1

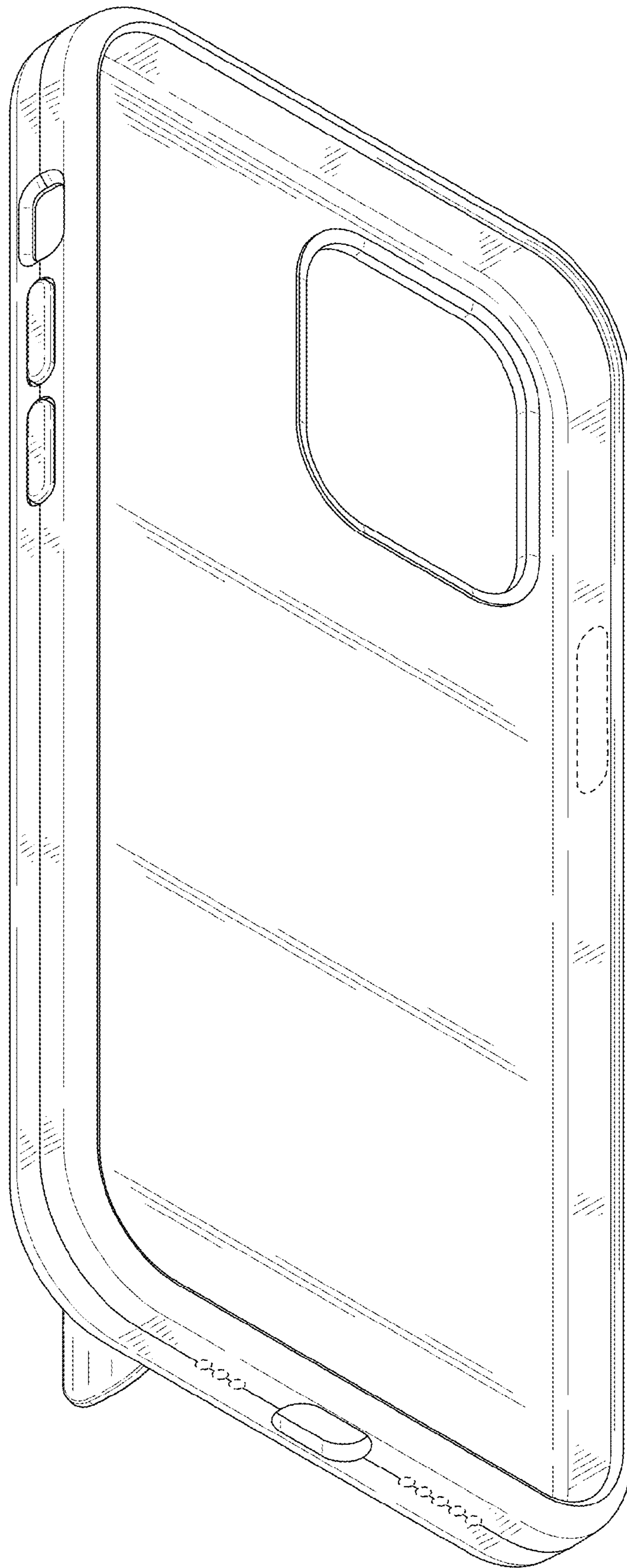


FIG. 2

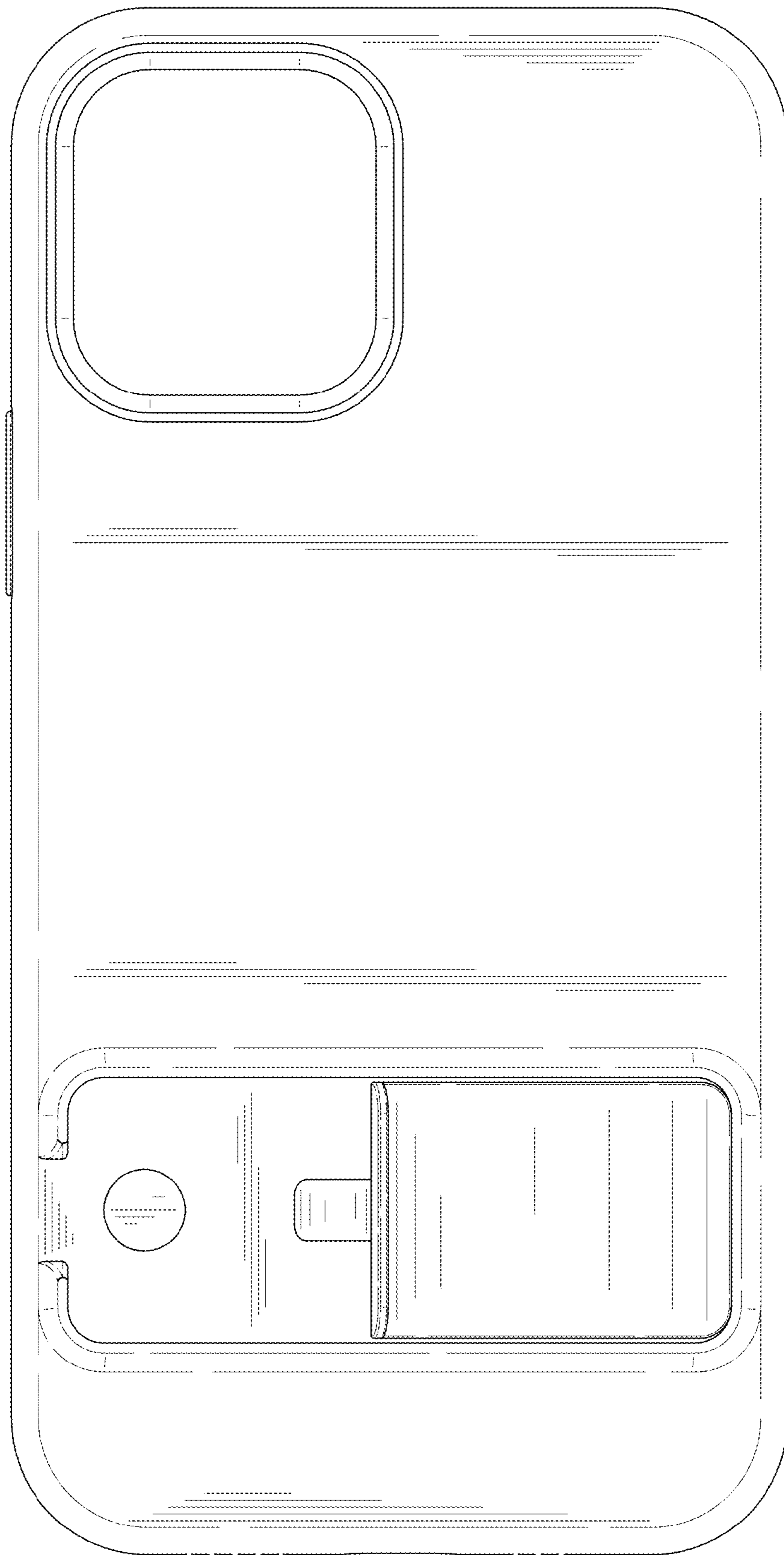


FIG. 3

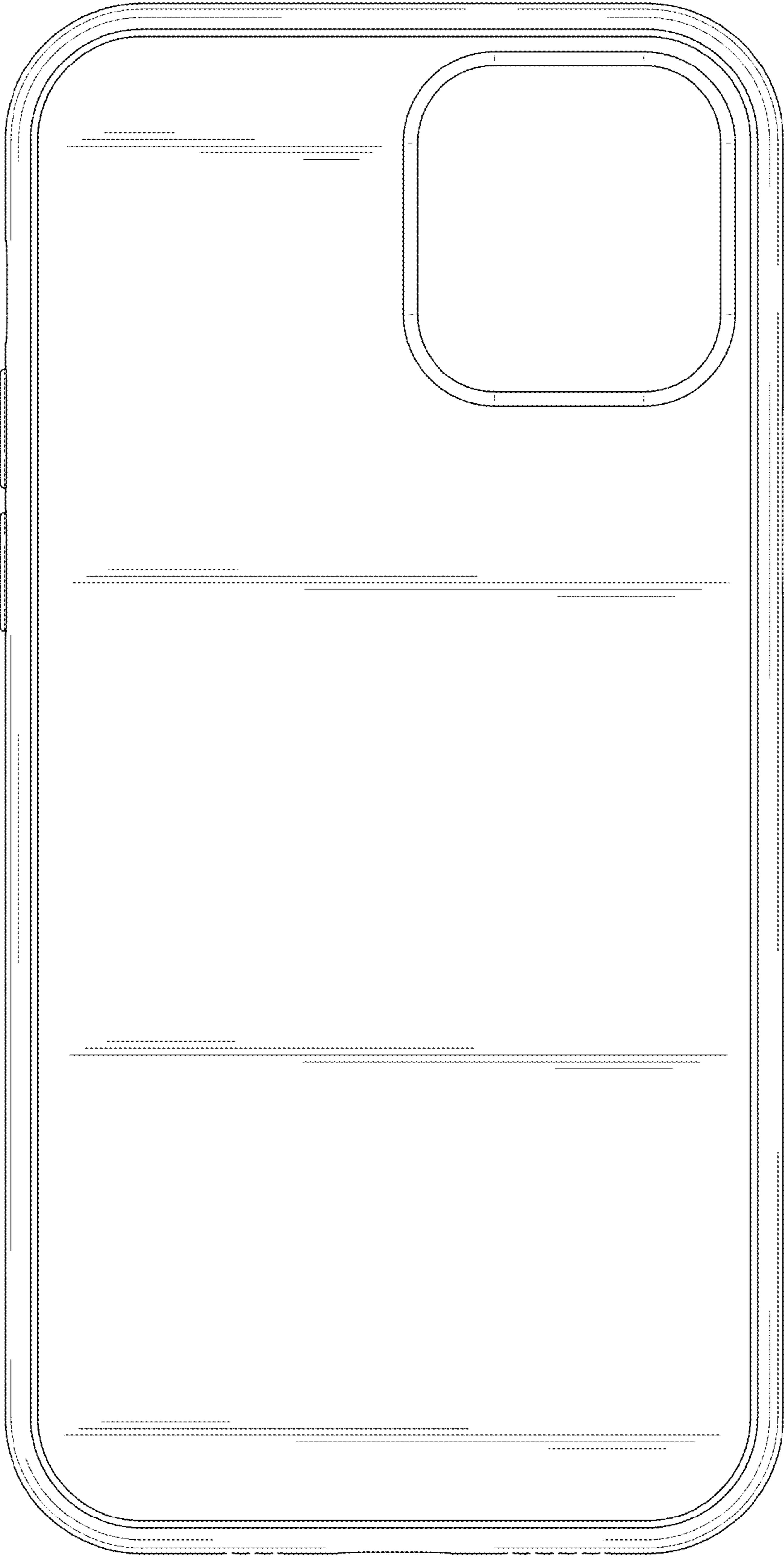


FIG. 4

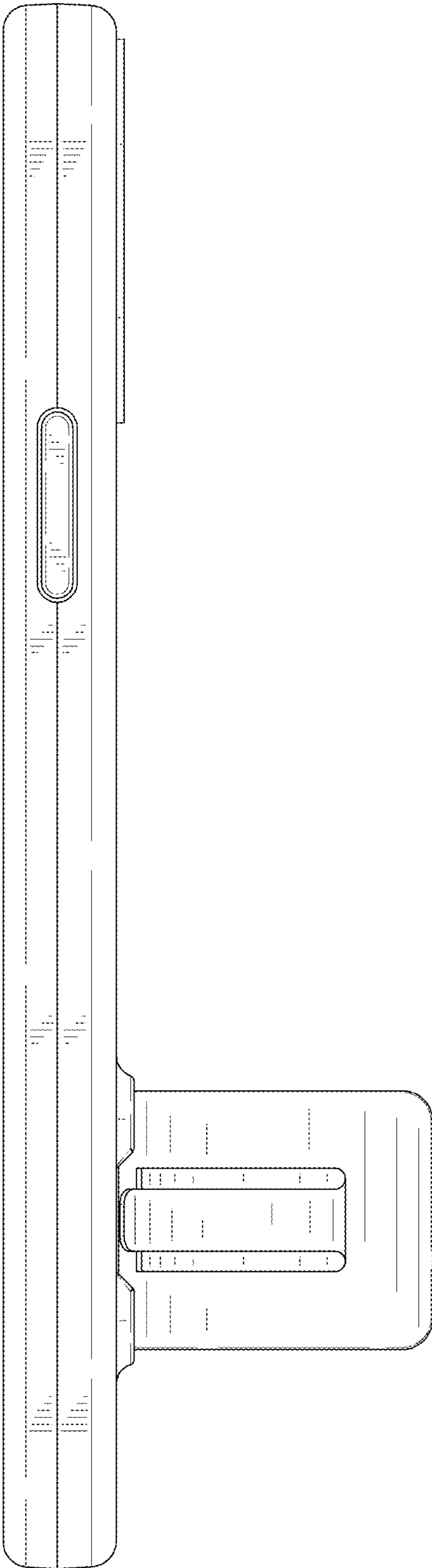


FIG. 5

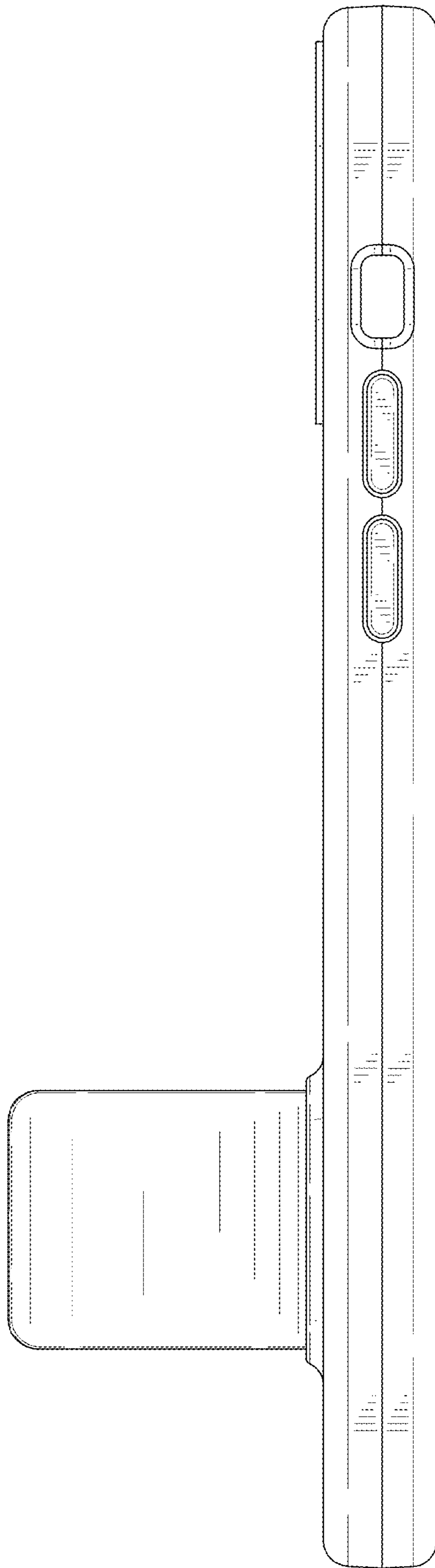


FIG. 6

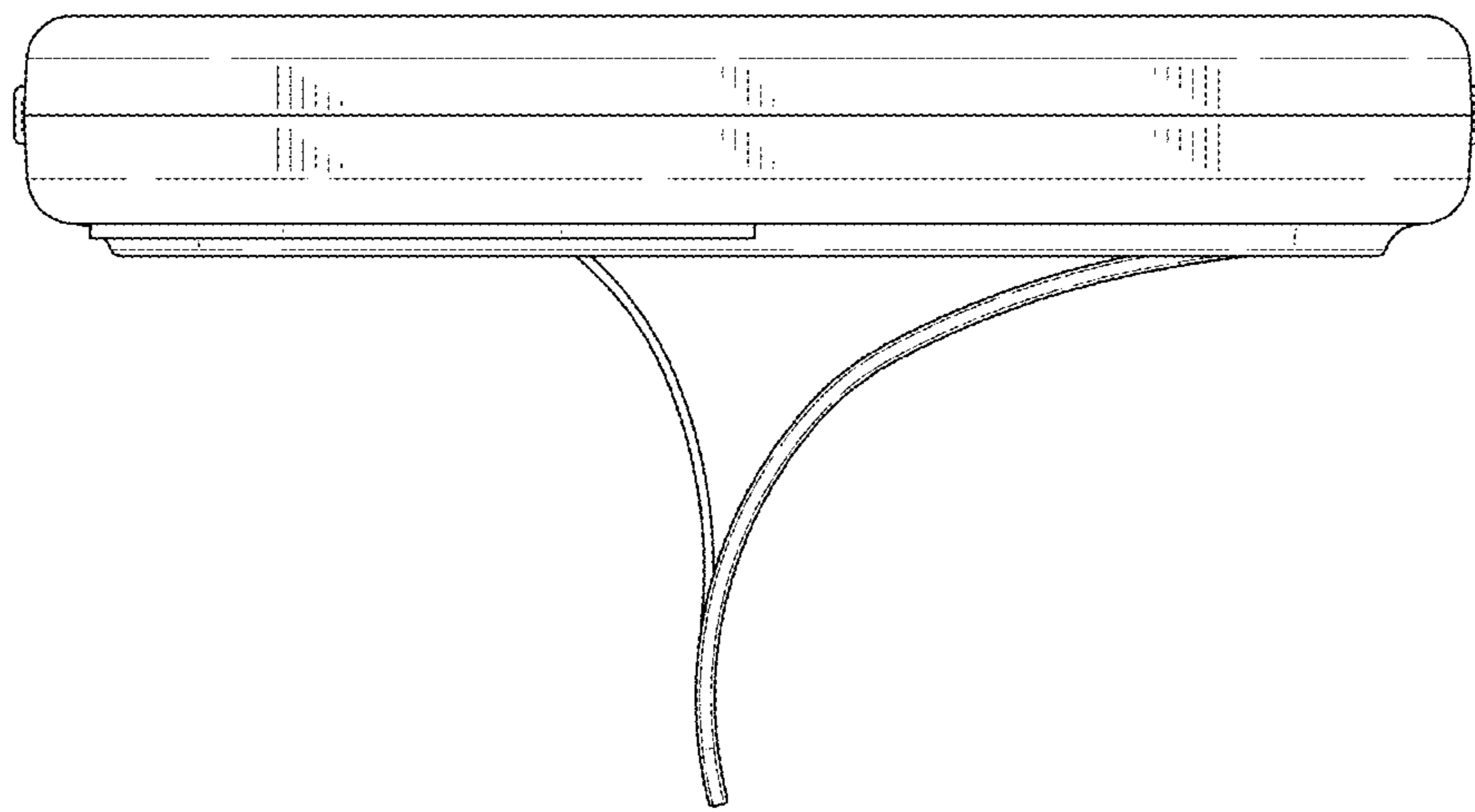


FIG. 7

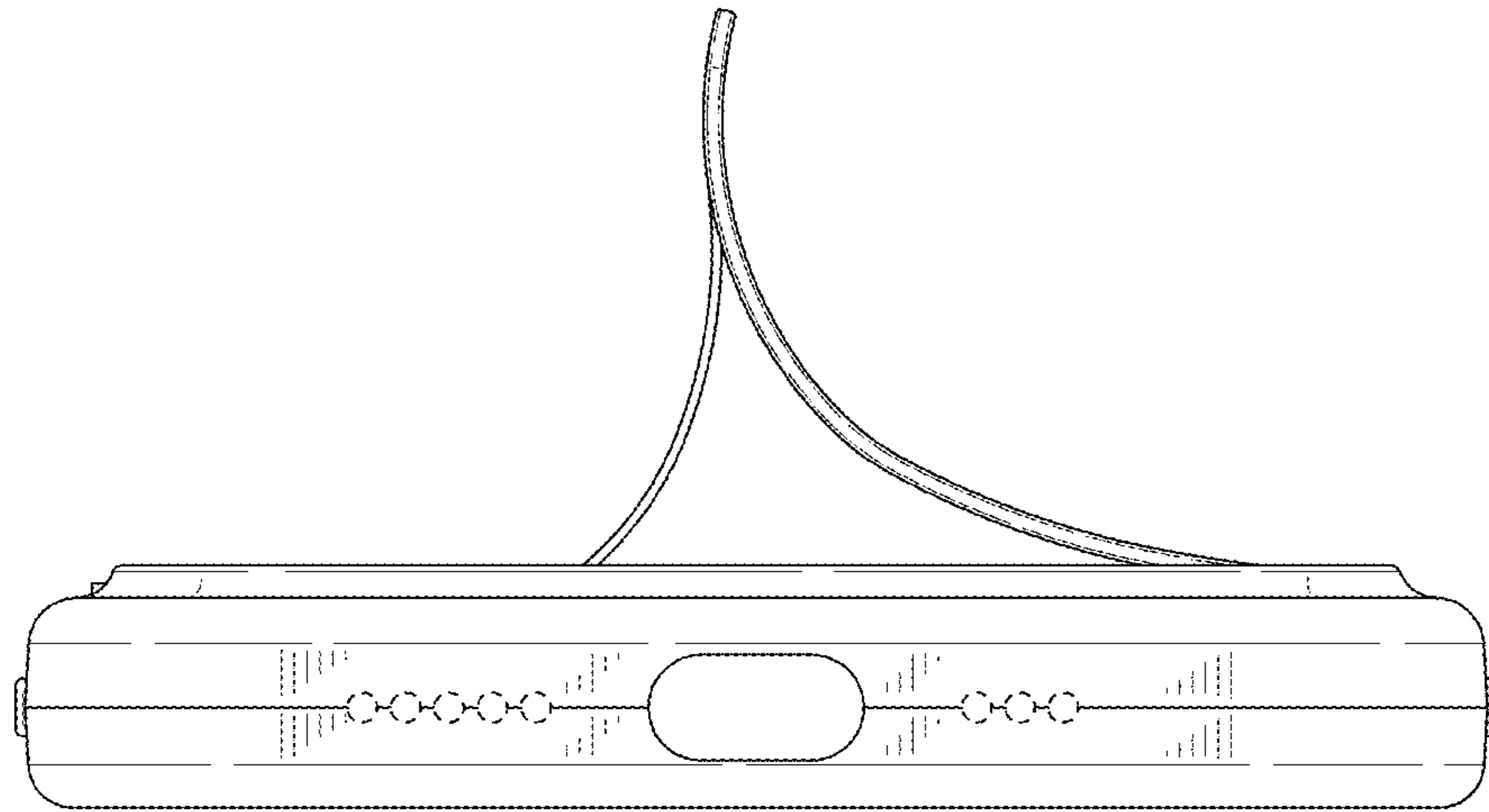


FIG. 8

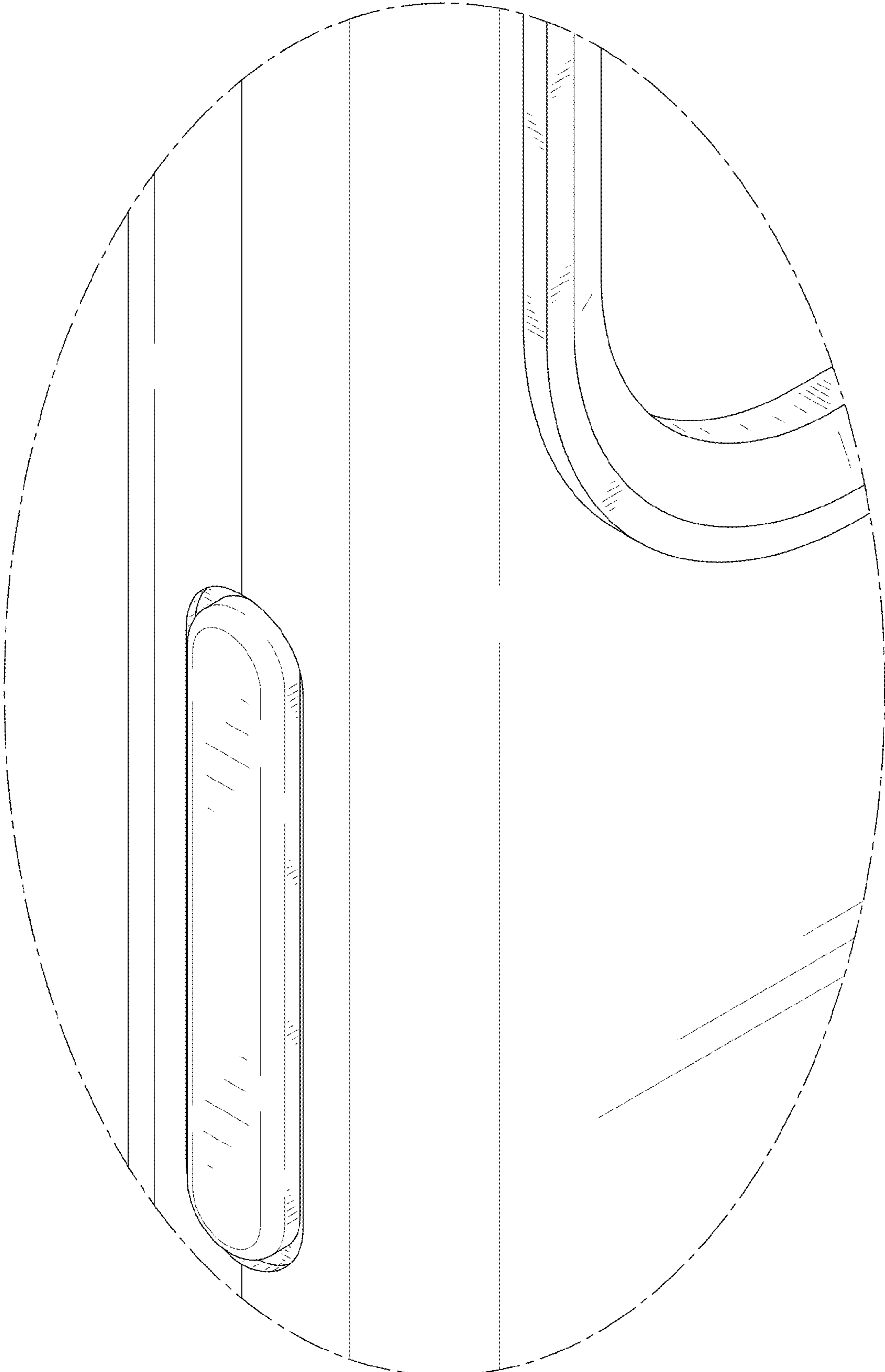


FIG. 9

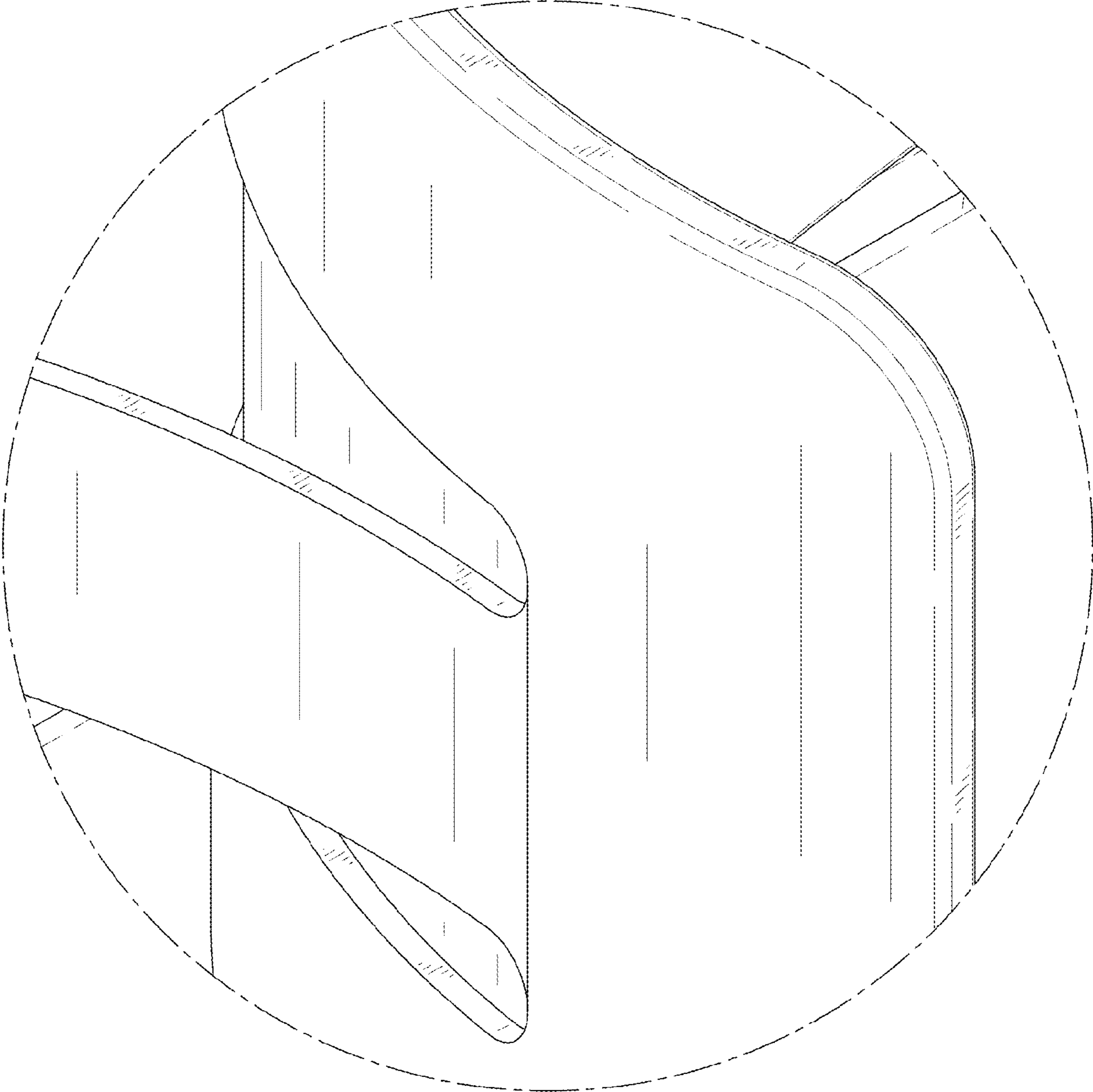


FIG. 10

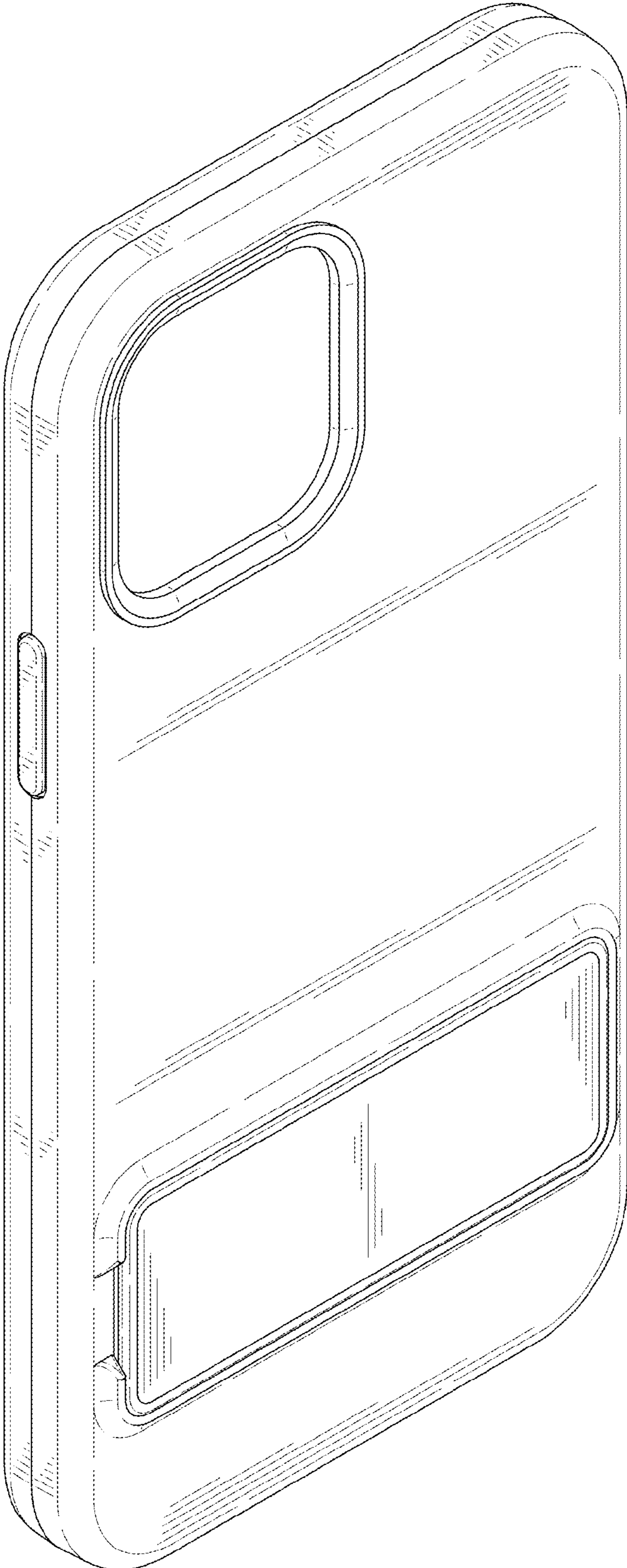


FIG. 11