



US00D955370S

(12) **United States Design Patent** (10) **Patent No.:** **US D955,370 S**
An (45) **Date of Patent:** **** Jun. 21, 2022**

(54) **EARTIP** D371,193 S * 6/1996 Myers A61F 11/08
D24/106
(71) Applicant: **LG ELECTRONICS INC.**, Seoul D481,118 S * 10/2003 Doty A61F 11/08
(KR) D24/106
(72) Inventor: **Changwuk An**, Seoul (KR) D524,938 S * 7/2006 Schreiber D24/134
D624,901 S * 10/2010 Blanchard D14/205
D637,180 S * 5/2011 Shimizu D14/223
(73) Assignee: **LG ELECTRONICS INC.**, Seoul
(KR)
(Continued)

(**) Term: **15 Years**
(21) Appl. No.: **35/510,868**
(22) Filed: **Nov. 16, 2020**

(80) **Hague Agreement Data**
Int. Filing Date: **Nov. 16, 2020**
Int. Reg. No.: **DM/211405**
Int. Reg. Date: **Nov. 16, 2020**
Int. Reg. Pub. Date: **Dec. 4, 2020**

(30) **Foreign Application Priority Data**
Jul. 22, 2020 (KR) 30-2020-0033912
(51) **LOC (13) Cl.** **14-01**
(52) **U.S. Cl.**
USPC **D14/223**
(58) **Field of Classification Search**
USPC D14/192, 205, 206, 223, 372; D24/106,
D24/174
CPC G10K 11/1781; G10K 2210/1081; H04R
2420/07; H04R 1/083; H04M 1/6066
See application file for complete search history.

(56) **References Cited**
U.S. PATENT DOCUMENTS
1,830,198 A * 11/1931 French H04R 25/656
181/135
3,539,031 A * 11/1970 Albert A61B 7/026
181/129

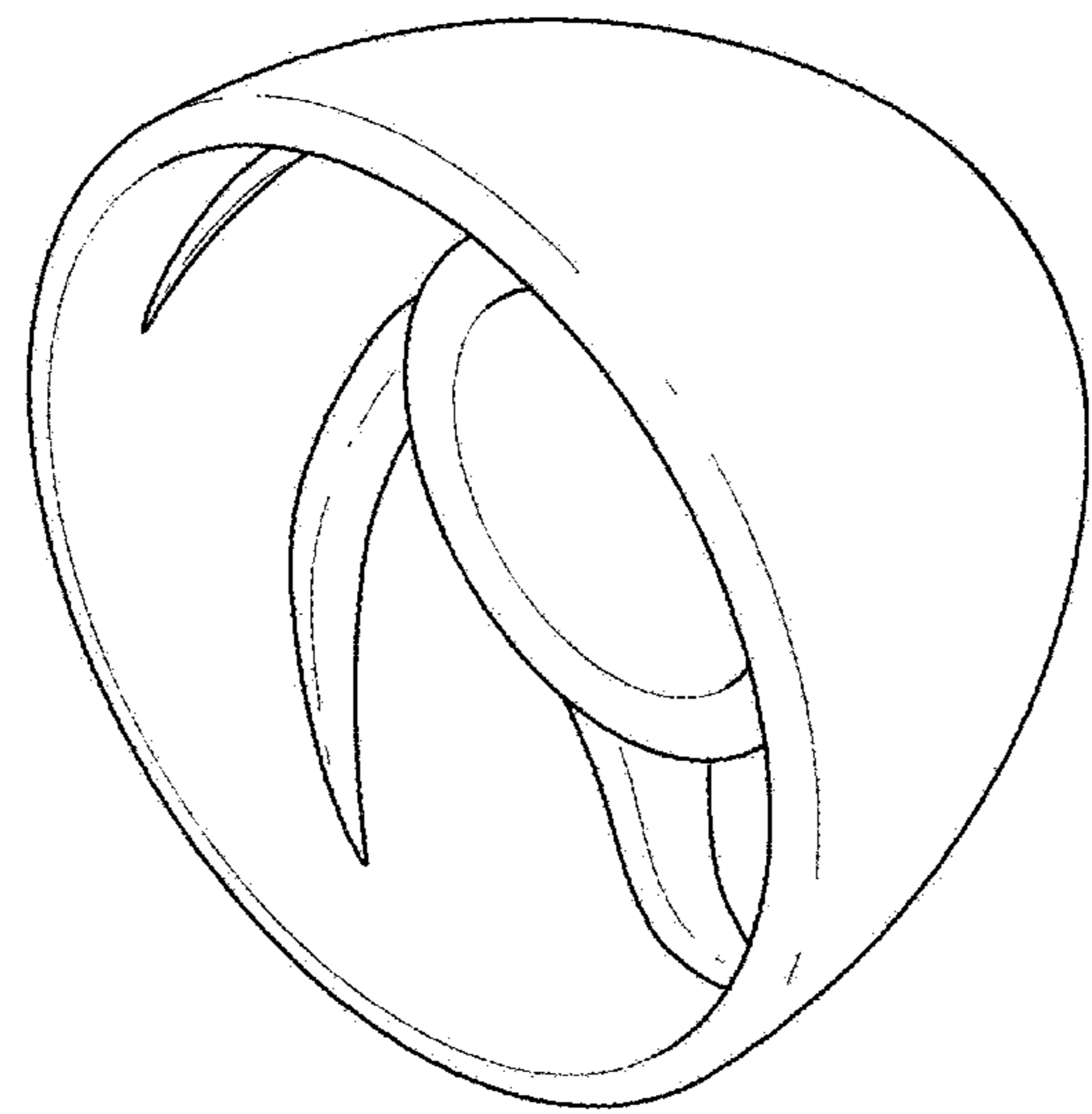
OTHER PUBLICATIONS
Eartips Reviewed!!! (23 kinds)(gradually updated), publication date
Aug. 6, 2017, [online] URL: <https://aftersoundblog.wordpress.com/2017/06/08/eartips-reviewed/> (Year: 2017).*
(Continued)

Primary Examiner — L. A. Grabenstetter
(74) *Attorney, Agent, or Firm* — Birch, Stewart, Kolasch
& Birch, LLP

(57) **CLAIM**
The ornamental design for an eartip, as shown and
described.

DESCRIPTION
1. Eartip
1.1 : Front perspective view
1.2 : Rear perspective view
1.3 : Second front perspective view
1.4 : Front view
1.5 : Rear view
1.6 : Left side view
1.7 : Right side view
1.8 : Top view
1.9 : Bottom view
1.10 : Cross sectional view taken in the direction of line
1.10-1.10 in reproduction 1.8.
1.11 : Third rear perspective view, shown combined with an
unclaimed earset
The broken lines depicting an earset in reproduction 1.11
form no part of the claimed design.

1 Claim, 11 Drawing Sheets



(56)

References Cited

U.S. PATENT DOCUMENTS

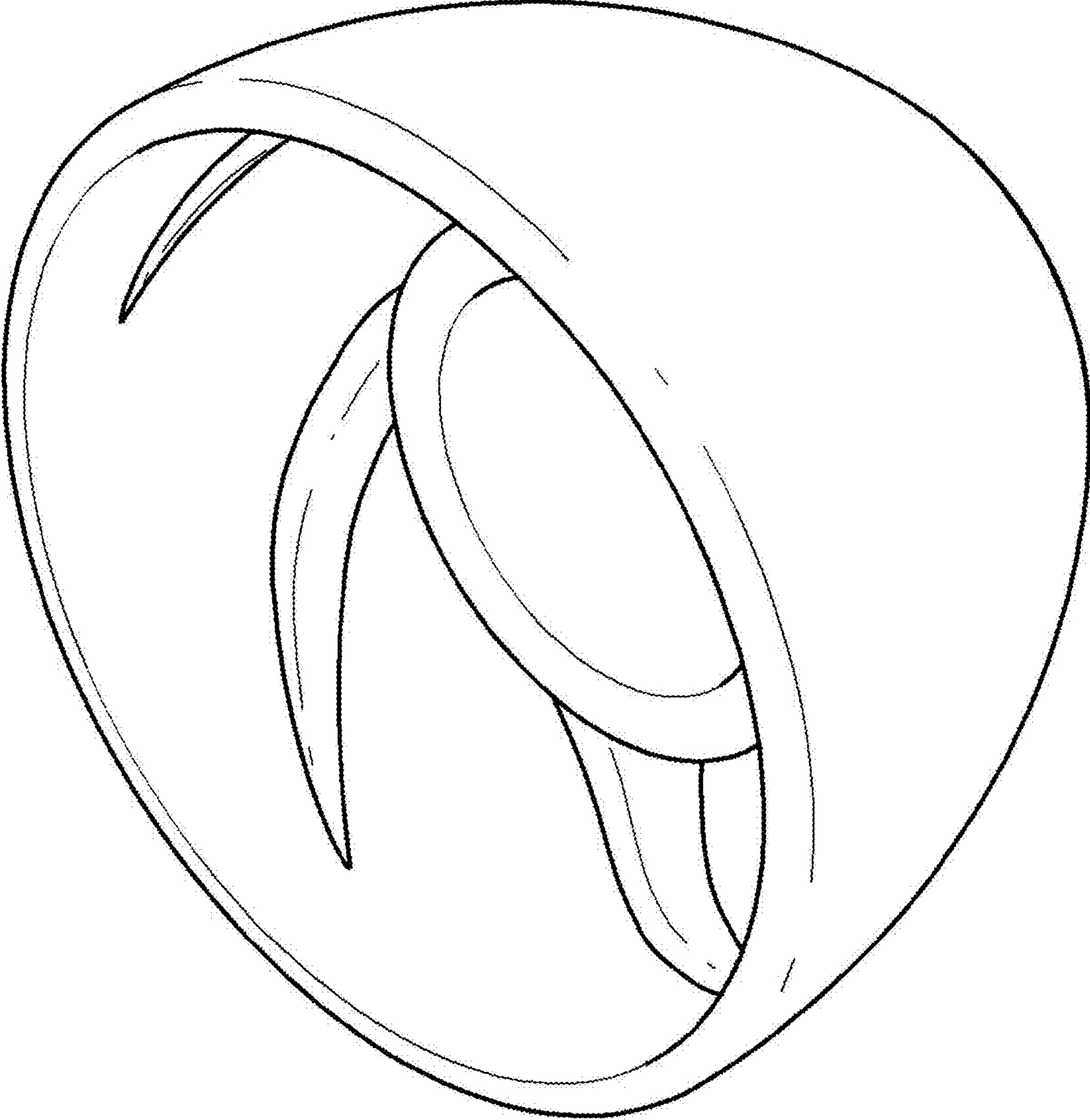
8,208,676	B2 *	6/2012	Murozaki	H04R 1/1016 381/386
D676,415	S *	2/2013	Erdel	D14/223
D689,472	S *	9/2013	Erdel	D14/223
D698,023	S *	1/2014	Iseberg	D24/174
D756,970	S *	5/2016	Ferber	D14/223
D794,612	S *	8/2017	Katopis	D14/223
D813,845	S *	3/2018	Katopis	D14/223
11,072,101	B2 *	7/2021	Huang	G10K 11/18
D926,730	S *	8/2021	Ke	D14/223
2013/0188819	A1 *	7/2013	Young-Mun	H04R 25/652 181/129
2014/0166388	A1 *	6/2014	Yang	H04R 25/652 181/135
2020/0221206	A1 *	7/2020	Iseberg	H04R 1/1016
2020/0314519	A1 *	10/2020	Hatfield	H04R 1/1016

OTHER PUBLICATIONS

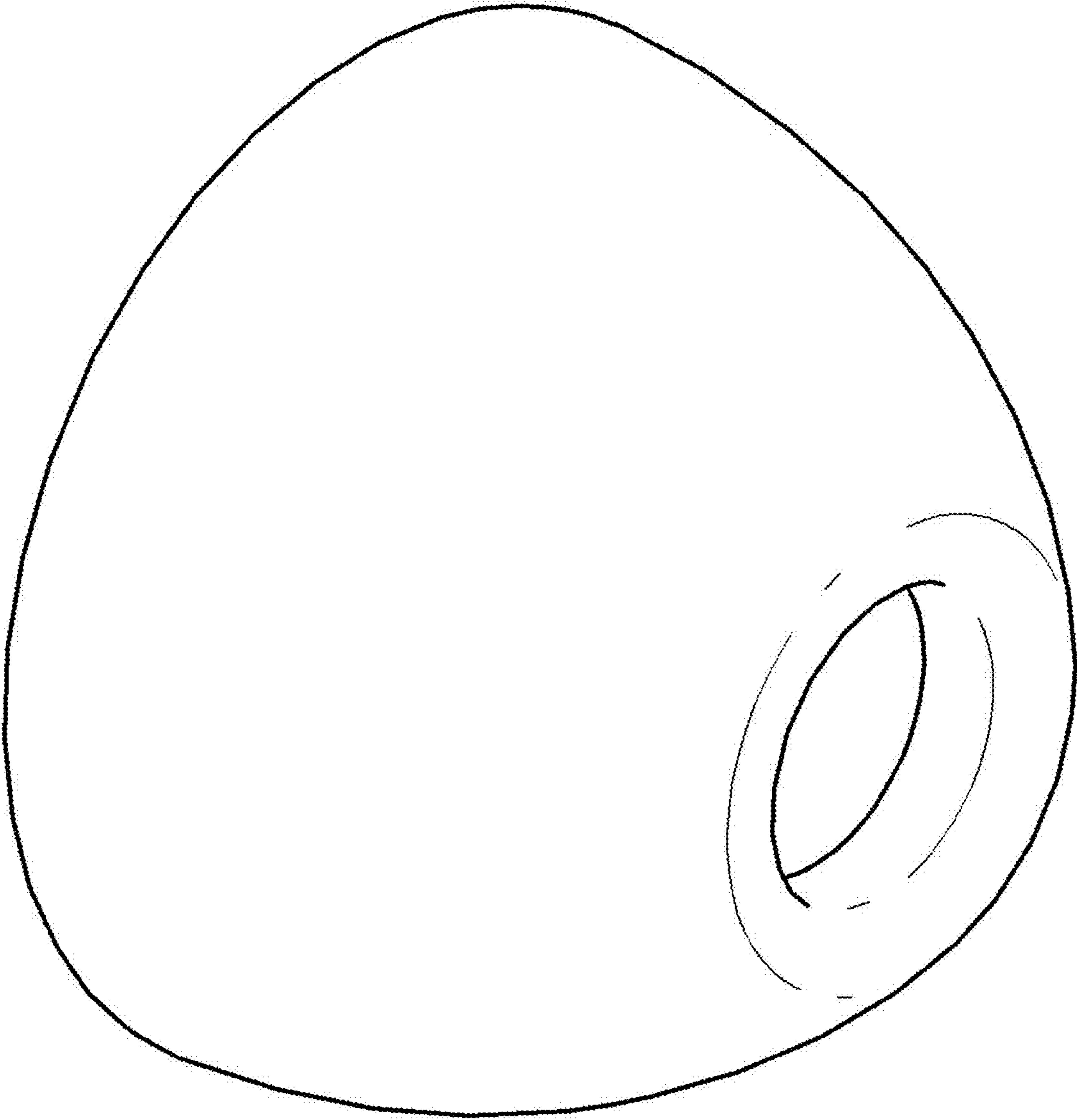
Apple's AirPods Pro set a pricey new standard for earbuds, publication date Oct. 29, 2019, [online] URL: <https://techcrunch.com/2019/10/29/apples-airpods-pro-set-a-pricey-new-standard-for-earbuds/> (Year: 2019).*

* cited by examiner

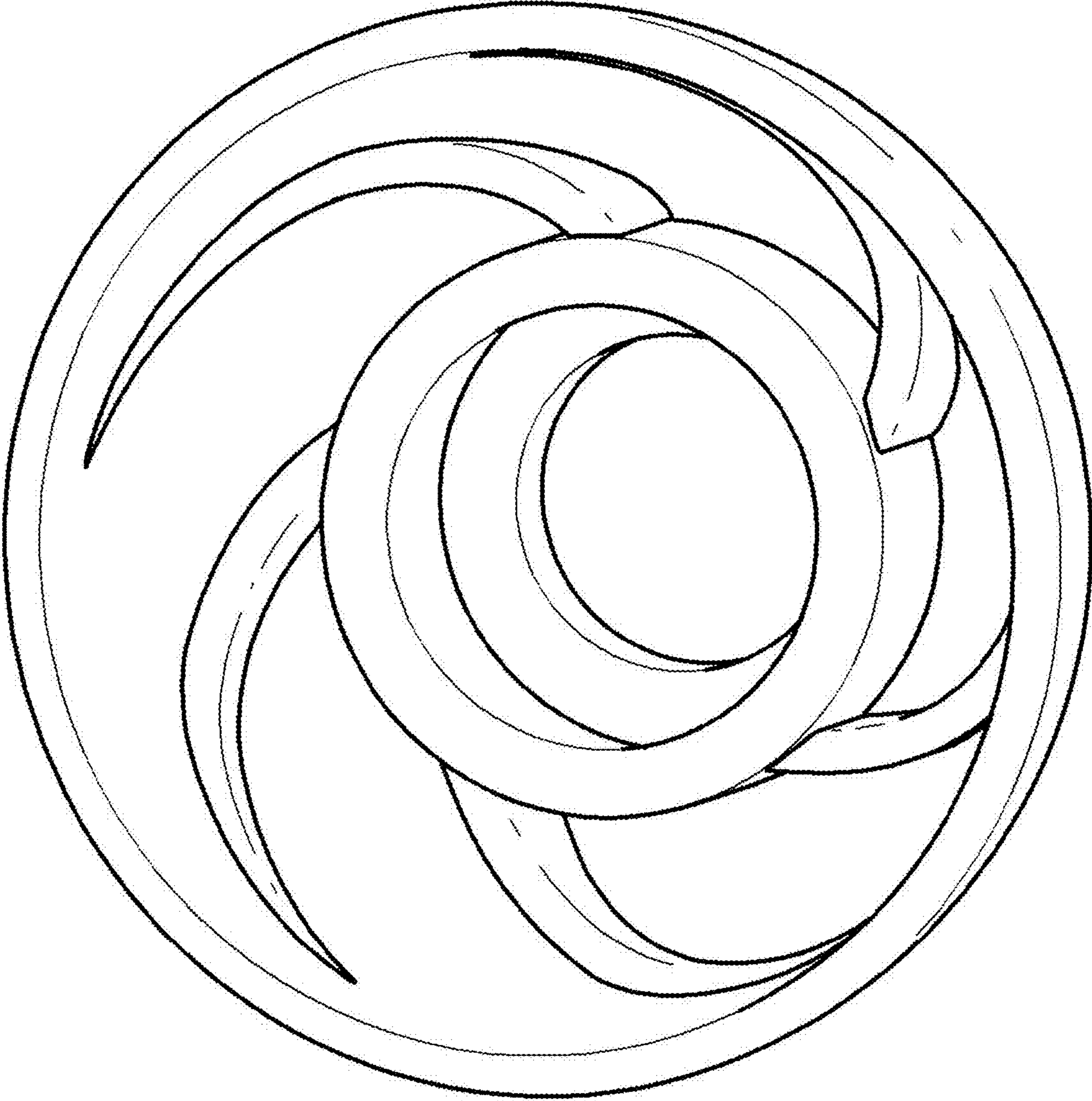
1.1



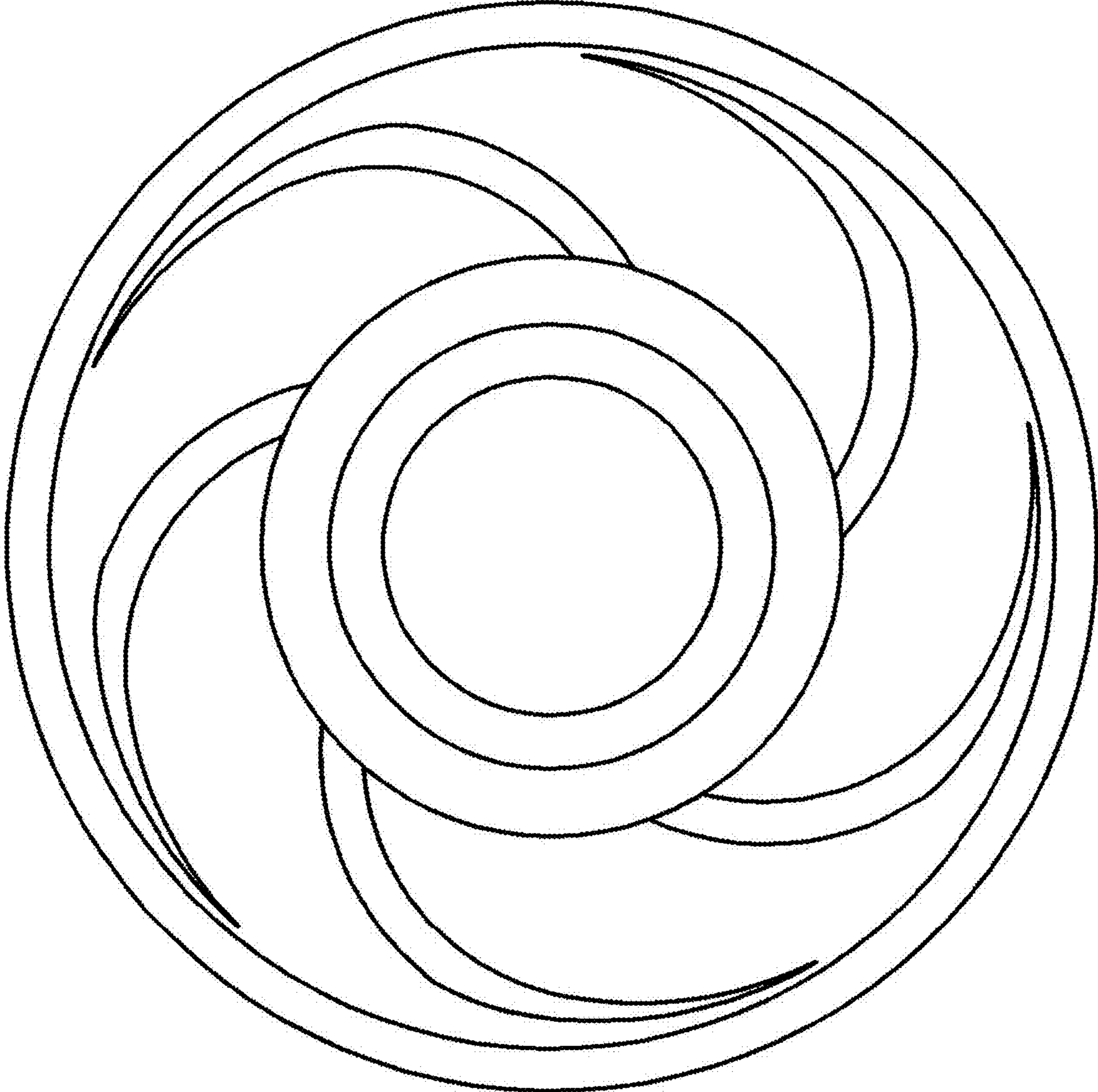
1.2



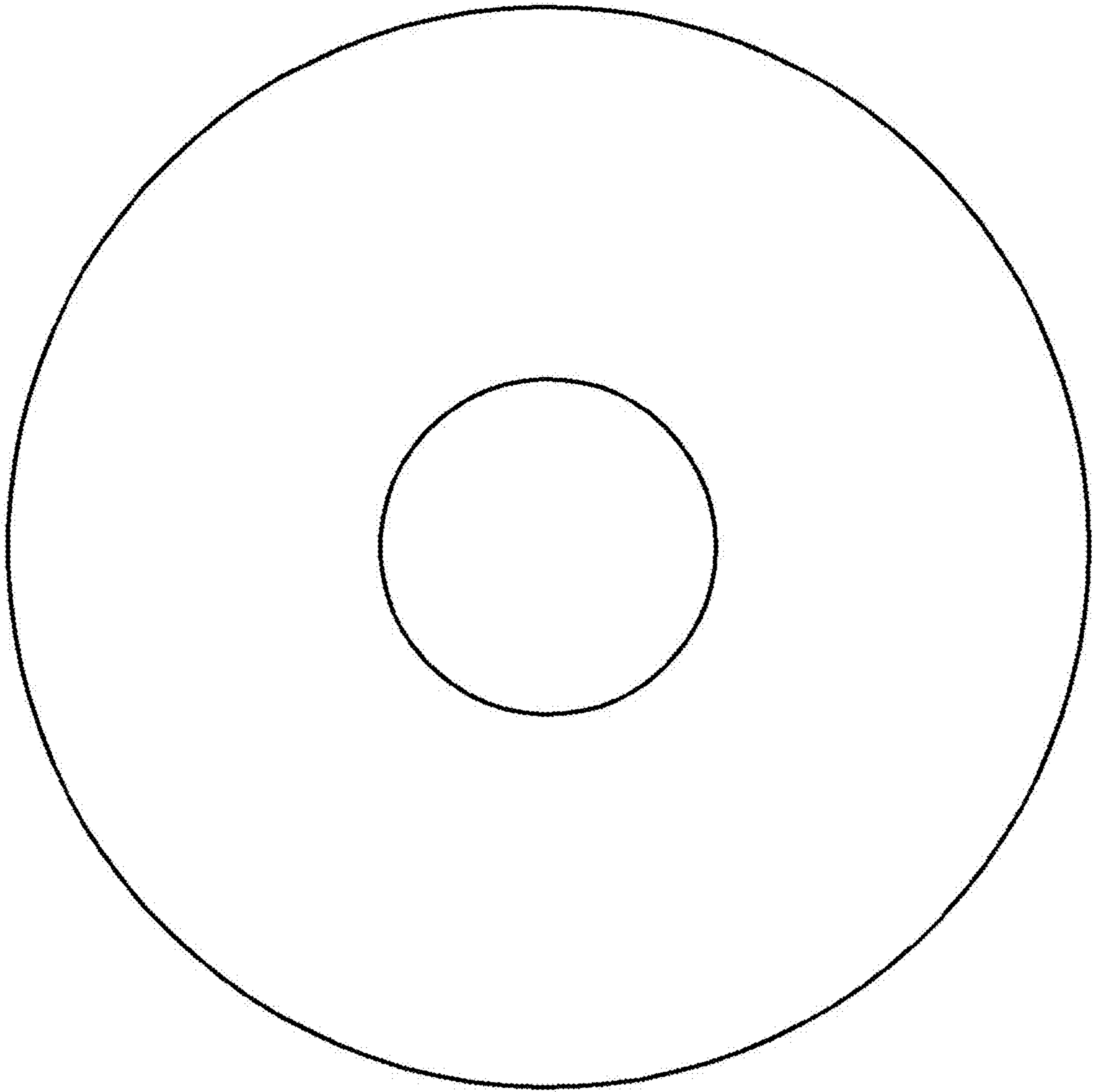
1.3



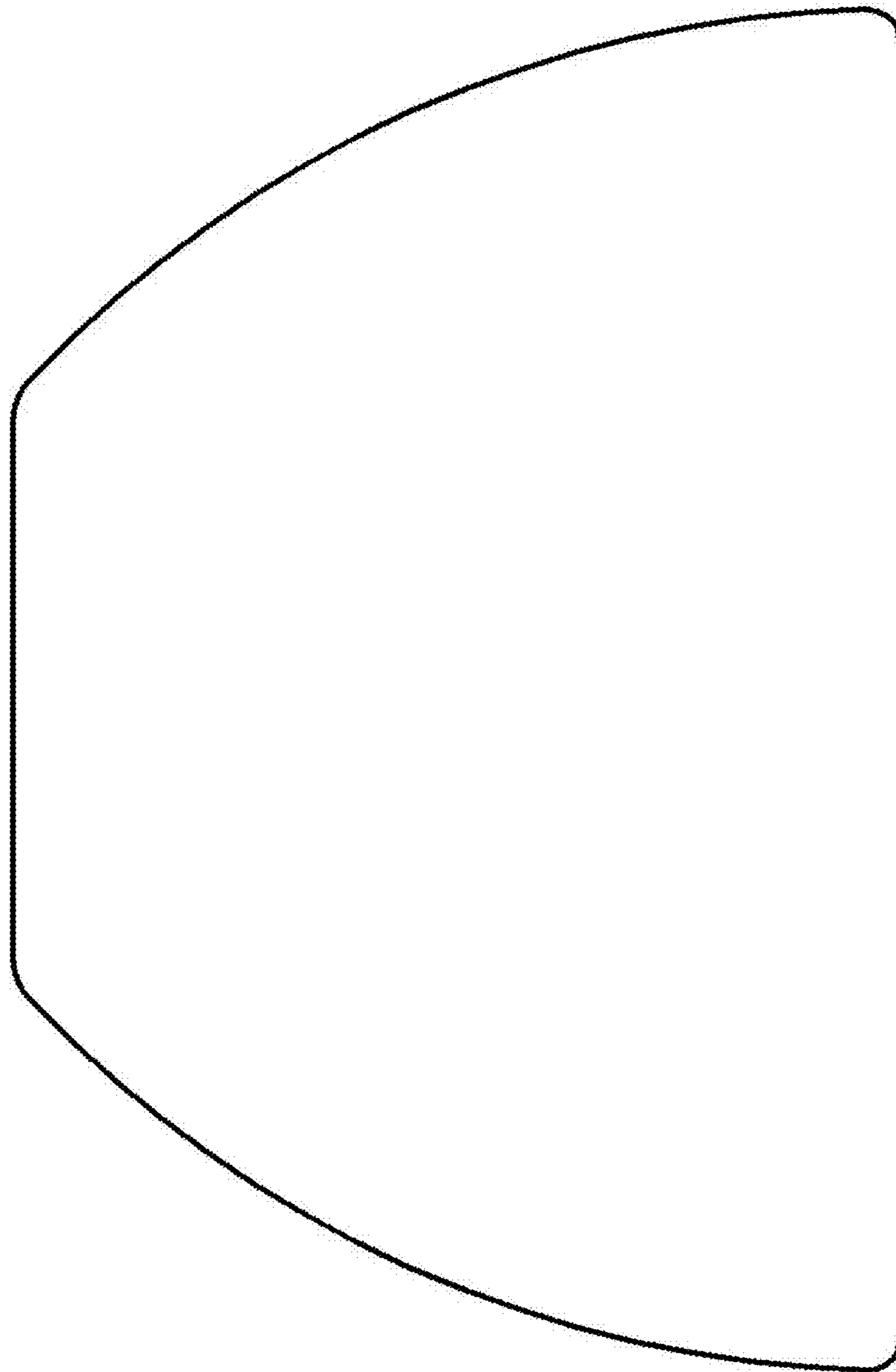
1.4



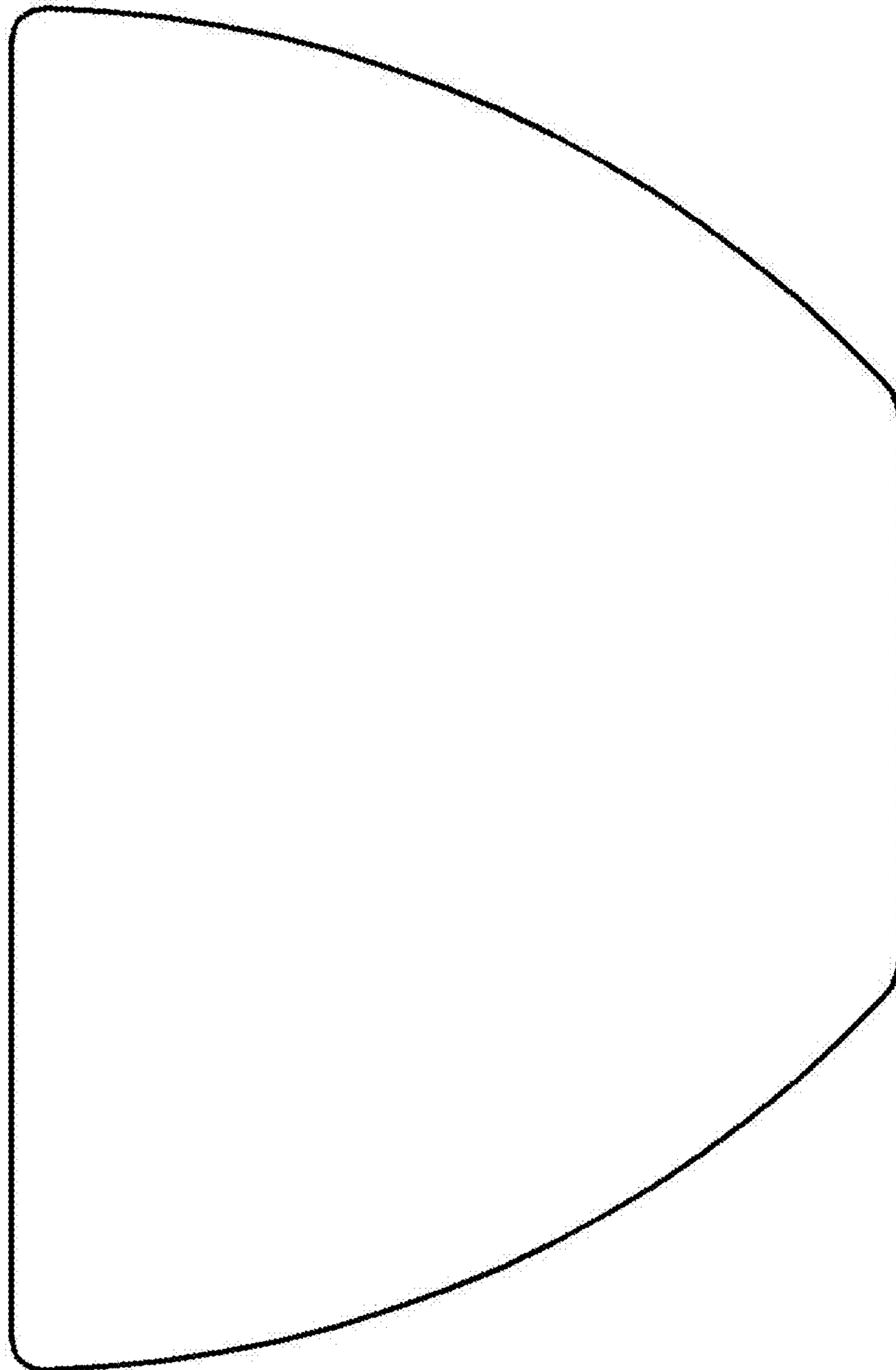
1.5



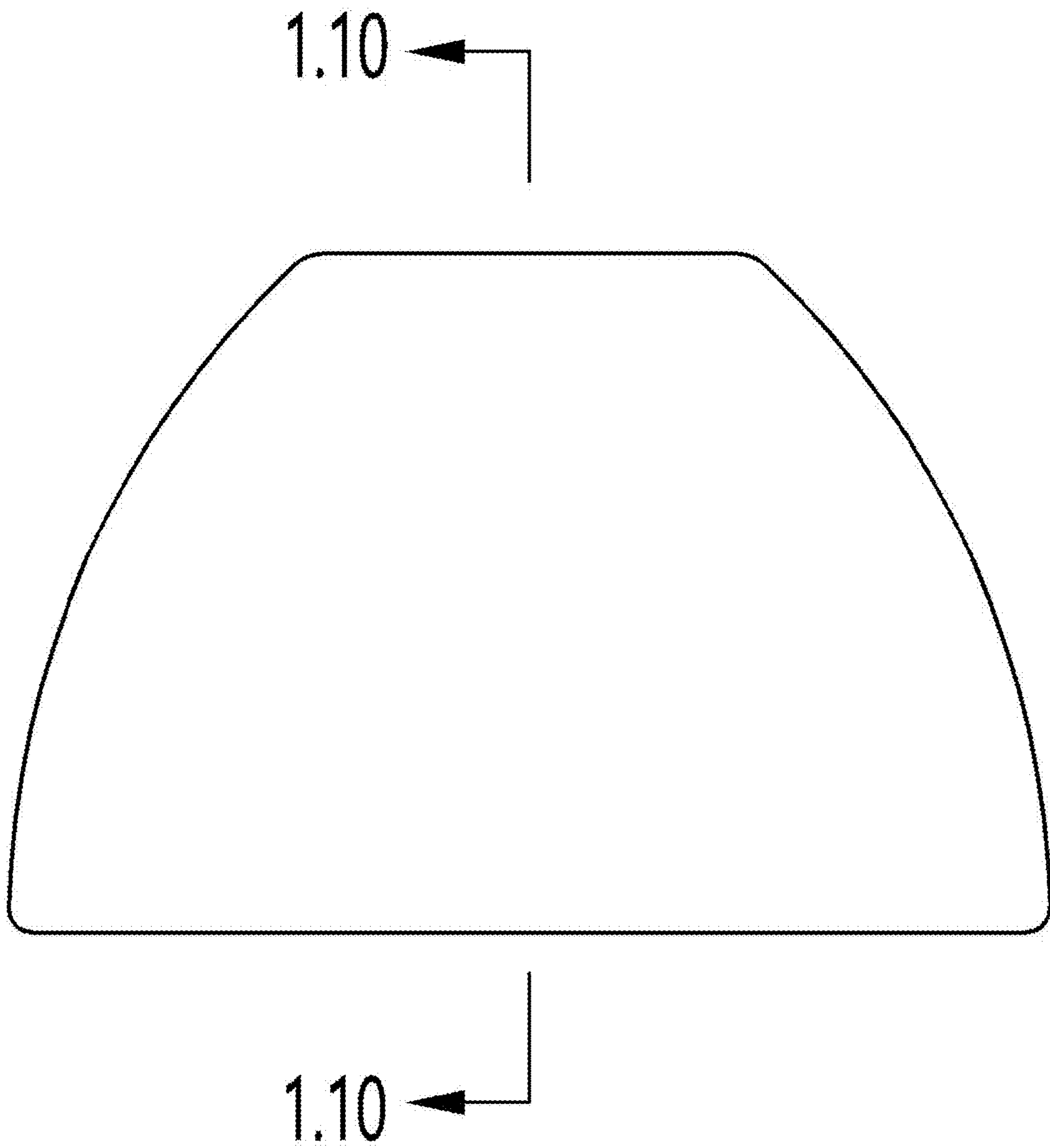
1.6



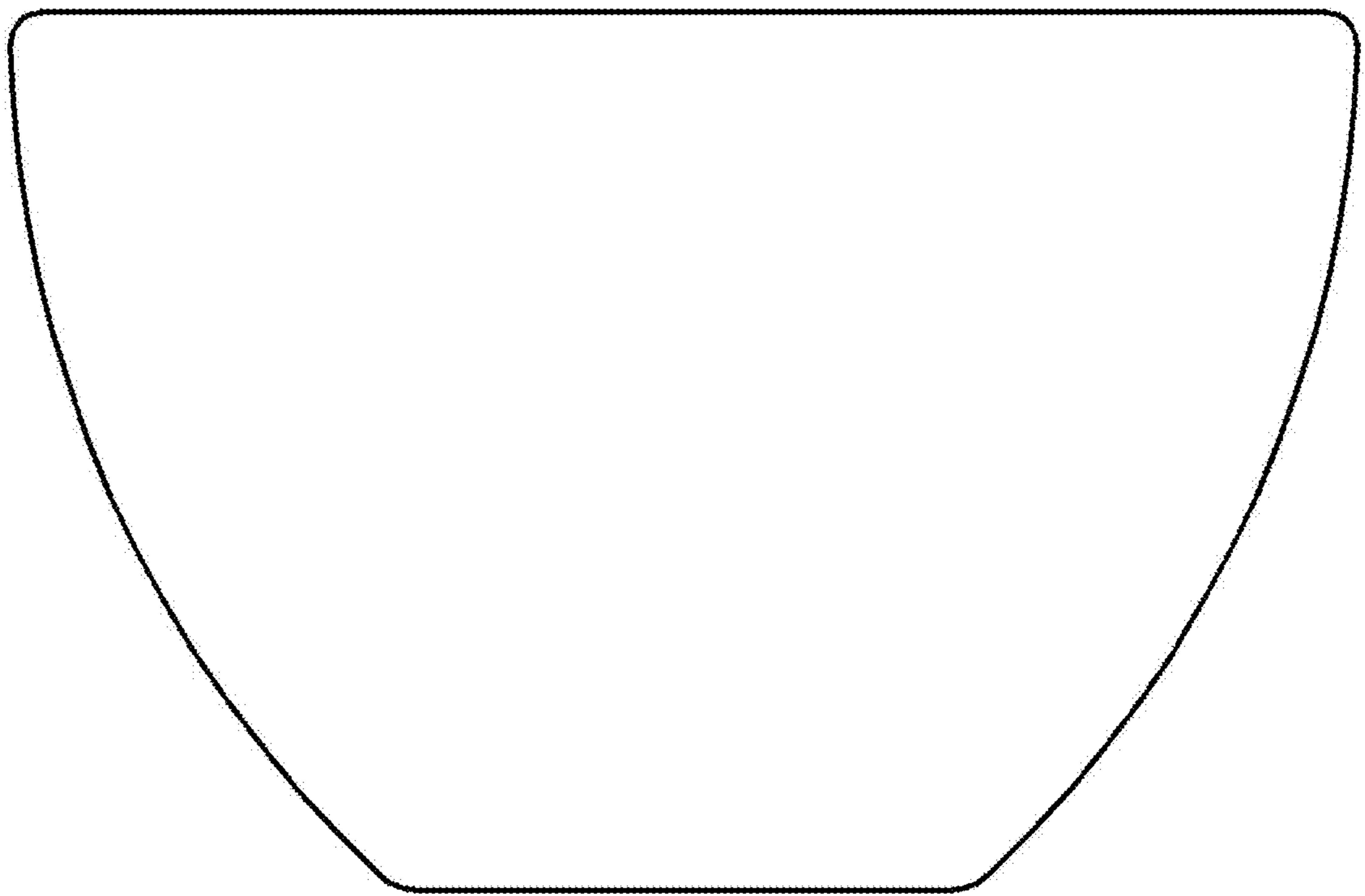
1.7



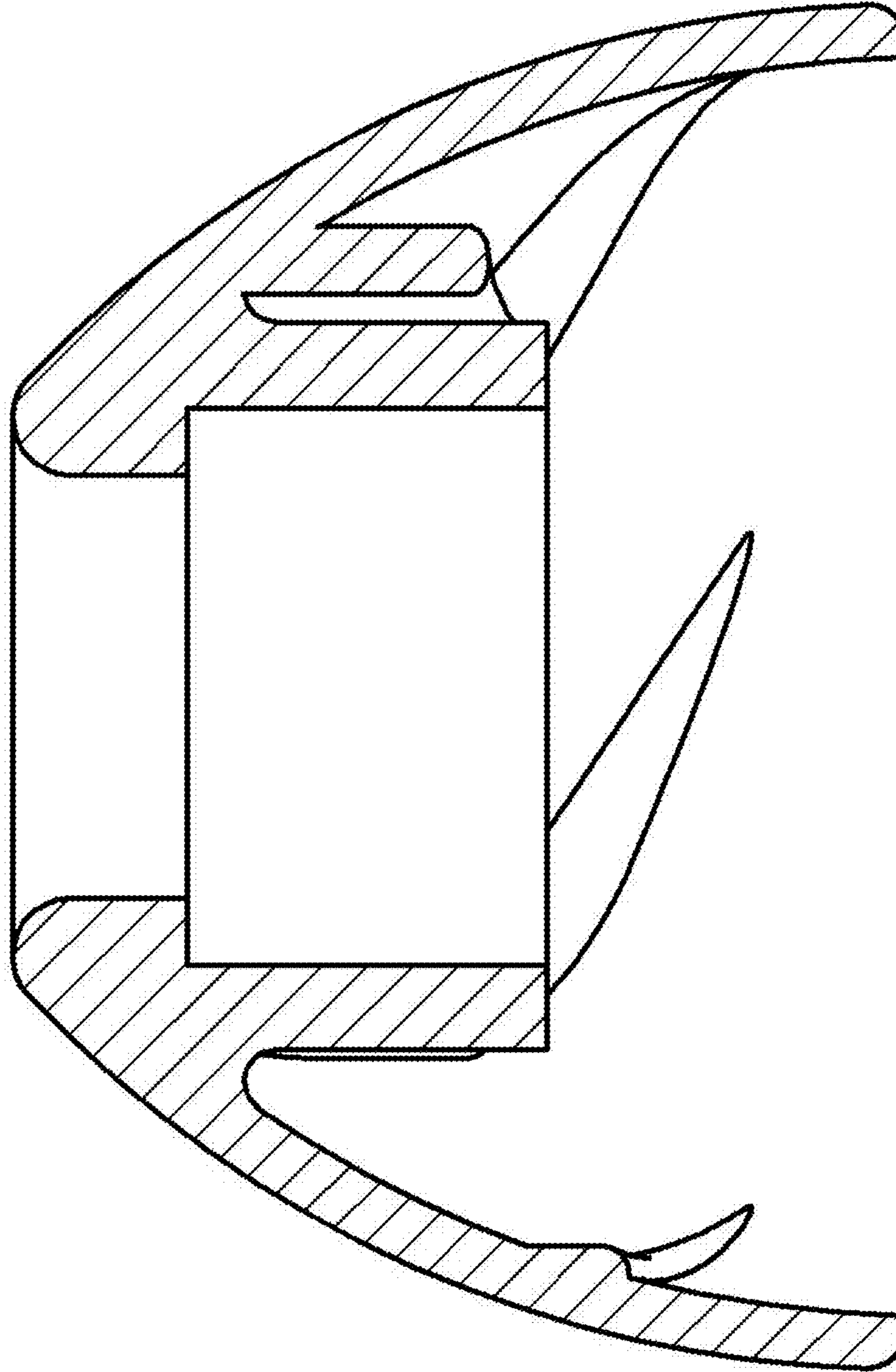
1.8



1.9



1.10



1.11

