



US00D955368S

(12) **United States Design Patent**
Wu et al.

(10) **Patent No.:** **US D955,368 S**
(45) **Date of Patent:** **** Jun. 21, 2022**

(54) **EARPHONE**

(71) Applicants: **Anhui Huami Information Technology Co., Ltd.**, Hefei (CN); **Zepp, Inc.**, Cupertino, CA (US)

(72) Inventors: **Wei Wu**, Anhui (CN); **Pengtao Yu**, Cupertino, CA (US)

(73) Assignees: **Anhui Huami Information Technology Co., Ltd.**, Anhui (CN); **Zepp, Inc.**, Cupertino, CA (US)

(**) Term: **15 Years**

(21) Appl. No.: **29/735,031**

(22) Filed: **May 18, 2020**

(30) **Foreign Application Priority Data**

Nov. 20, 2019 (CN) 201930639986.0

(51) **LOC (13) Cl.** **14-01**

(52) **U.S. Cl.**
USPC **D14/223**

(58) **Field of Classification Search**
USPC D14/223, 205; D24/174; 128/864-866;
381/380, 381, 322, 328; 455/90.3, 575.1,
455/569.1
CPC H04R 1/10; H04R 25/00; H04R 25/02;
H04R 1/1066; H04R 1/1016; H04R
5/033;

(Continued)

(56) **References Cited**

U.S. PATENT DOCUMENTS

4,977,975 A * 12/1990 Lazzeroni H04R 1/225
181/129
D488,461 S * 4/2004 Okada D14/223
D508,479 S * 8/2005 Okada D14/206

(Continued)

FOREIGN PATENT DOCUMENTS

CA 194212 * 1/2022
CN 306065263 * 9/2020

(Continued)

Primary Examiner — Paula Allen Greene

(74) *Attorney, Agent, or Firm* — Young Basile Hanlon & MacFarlane, P.C.

(57) **CLAIM**

The ornamental design for an earphone, as shown and described.

DESCRIPTION

FIG. 1 is a top, front, and right perspective view of a first embodiment of the earphone.

FIG. 2 is a bottom, rear, and left perspective view of the earphone of FIG. 1.

FIG. 3 is a front view of the earphone of FIG. 1.

FIG. 4 is a rear view of the earphone of FIG. 1.

FIG. 5 is a left side view of the earphone of FIG. 1.

FIG. 6 is a right side view of the earphone of FIG. 1.

FIG. 7 is a top view of the earphone of FIG. 1.

FIG. 8 is a bottom view of the earphone of FIG. 1.

FIG. 9 is a top, front, and right perspective view of a second embodiment of the earphone.

FIG. 10 is a bottom, rear, and left perspective view of the earphone of FIG. 9.

FIG. 11 is a front view of the earphone of FIG. 9.

FIG. 12 is a rear view of the earphone of FIG. 9.

FIG. 13 is a left side view of the earphone of FIG. 9.

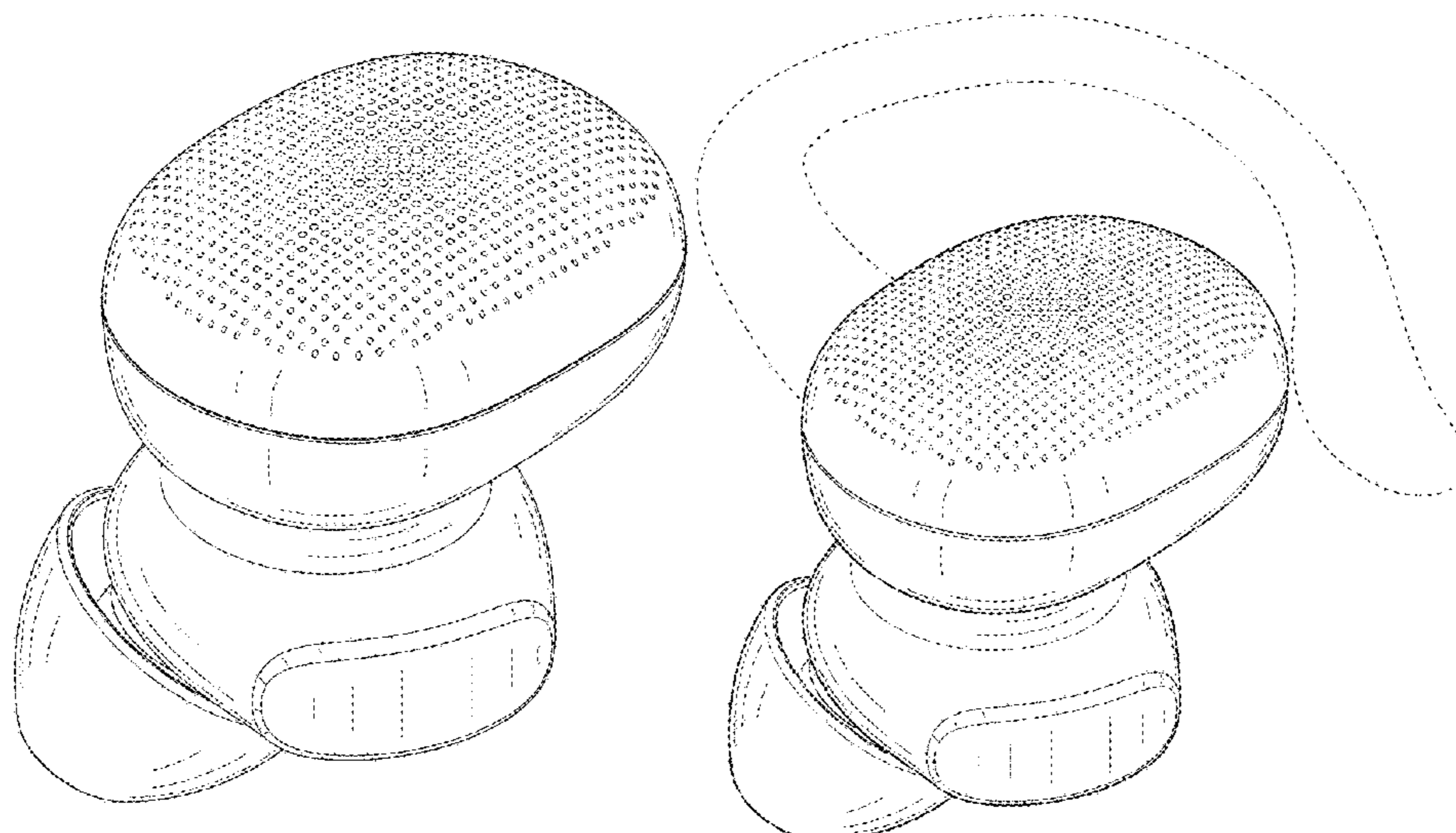
FIG. 14 is a right side view of the earphone of FIG. 9.

FIG. 15 is a top view of the earphone of FIG. 9; and,

FIG. 16 is a bottom view of the earphone of FIG. 9.

The ornamental design which is claimed is shown in solid lines in the drawings. The broken line showing in FIGS. 1-16 illustrates the environment, which forms no part of the claimed design. The shade lines in the figures show contour, not surface ornamentation and form no part of the claimed design.

1 Claim, 8 Drawing Sheets



(58) **Field of Classification Search**
 CPC H04R 5/0335; H04R 1/105; H04R 1/1083;
 H04R 1/1091
 See application file for complete search history.

(56) **References Cited**

U.S. PATENT DOCUMENTS

D508,911 S * 8/2005 Sanders D14/223
 D531,169 S * 10/2006 Tokioka D14/223
 D542,282 S * 5/2007 Yoshiyama D14/223
 7,231,056 B2 * 6/2007 Chen H04R 1/1066
 381/381
 D601,126 S * 9/2009 Christopher D14/206
 D617,778 S * 6/2010 Birger D14/223
 D632,282 S * 2/2011 Kitayama D14/223
 D642,163 S * 7/2011 Lee D14/223
 D647,081 S * 10/2011 Kwon D14/223
 8,265,328 B2 * 9/2012 Milde H04R 1/1066
 381/381
 D695,275 S * 12/2013 Chee D14/223
 D710,333 S * 8/2014 Davies H04R 1/10
 D14/223
 D714,260 S * 9/2014 Han D14/223
 D719,548 S * 12/2014 Thompson D14/223
 D725,082 S * 3/2015 Palmborg D14/223
 D733,102 S * 6/2015 Palmborg D14/223
 9,148,714 B2 * 9/2015 Zhao H04R 1/021
 D773,438 S * 12/2016 Walker D14/223
 D777,710 S * 1/2017 Palmborg D14/223
 D795,225 S * 8/2017 Sumii D14/223
 D809,486 S * 2/2018 Arimoto D14/223
 D809,487 S * 2/2018 Lee D14/223
 D816,637 S * 5/2018 Hardi D14/223
 D832,825 S * 11/2018 Samrelius D14/223
 D850,408 S * 6/2019 Kawabata D14/206
 D862,424 S * 10/2019 You D14/223
 D876,398 S * 2/2020 Cai D14/223
 D896,204 S * 9/2020 Brunner D14/223

D900,064 S * 10/2020 Laffon de Mazieres D14/223
 D902,186 S * 11/2020 Sun D14/223
 10,827,249 B1 * 11/2020 Pine H04R 1/1041
 10,880,632 B1 * 12/2020 Boyd H04R 1/06
 D909,336 S * 2/2021 Adams D14/205
 D922,984 S * 6/2021 Li D14/223
 D926,732 S * 8/2021 Ai D14/223
 D930,615 S * 9/2021 Tanaka D14/223
 D930,616 S * 9/2021 Schoeck D14/223
 D930,617 S * 9/2021 Tanaka D14/223
 D936,034 S * 11/2021 Yoshida D14/223
 D939,479 S * 12/2021 Wang D14/223
 D941,275 S * 1/2022 Liu D14/223
 D942,423 S * 2/2022 Reimann D14/223
 11,240,587 B1 * 2/2022 DeMaio H04R 1/1041
 2002/0080989 A1 * 6/2002 Chi-Lin H04M 1/05
 381/381
 2008/0152183 A1 * 6/2008 Janik H04R 1/1066
 381/375
 2009/0285434 A1 * 11/2009 Williams H04R 1/1091
 381/381
 2012/0134525 A1 * 5/2012 Chai H01R 13/6485
 381/384
 2013/0216087 A1 * 8/2013 MacDonald H04R 1/105
 381/381
 2016/0249133 A1 * 8/2016 Sørensen A61B 5/02416
 2022/0007102 A1 * 1/2022 Guo H04R 1/02

FOREIGN PATENT DOCUMENTS

CN 306350424 * 2/2021
 EM 006792263-0001 * 8/2019
 EM 007955216-0004 * 5/2020
 EM 008025118-0001 * 6/2020
 ID A00202102813-0001 * 1/2022
 JP 1621397 S 1/2019
 JP 1621398 S 1/2019
 KR 300906843 S 5/2017

* cited by examiner

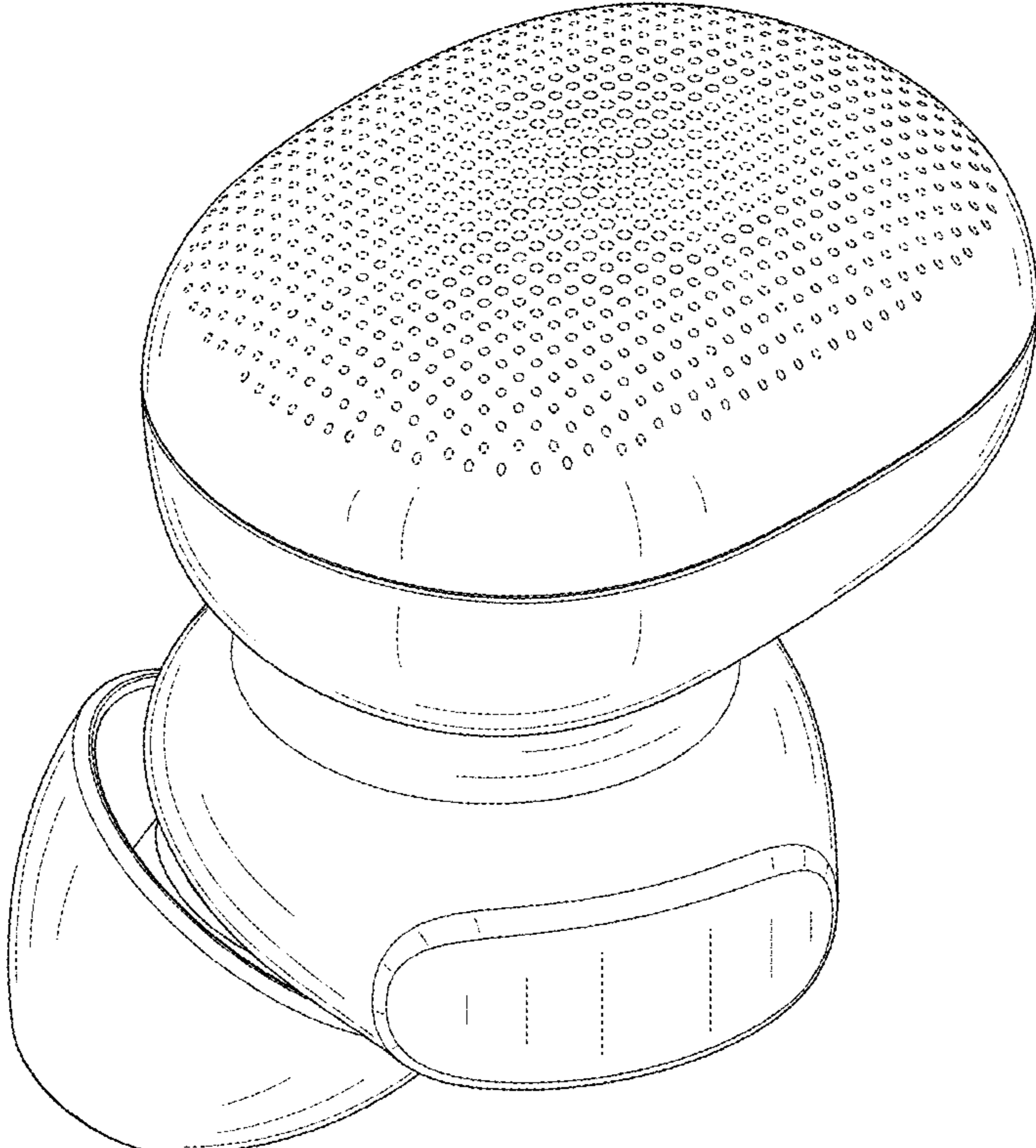


FIG. 1

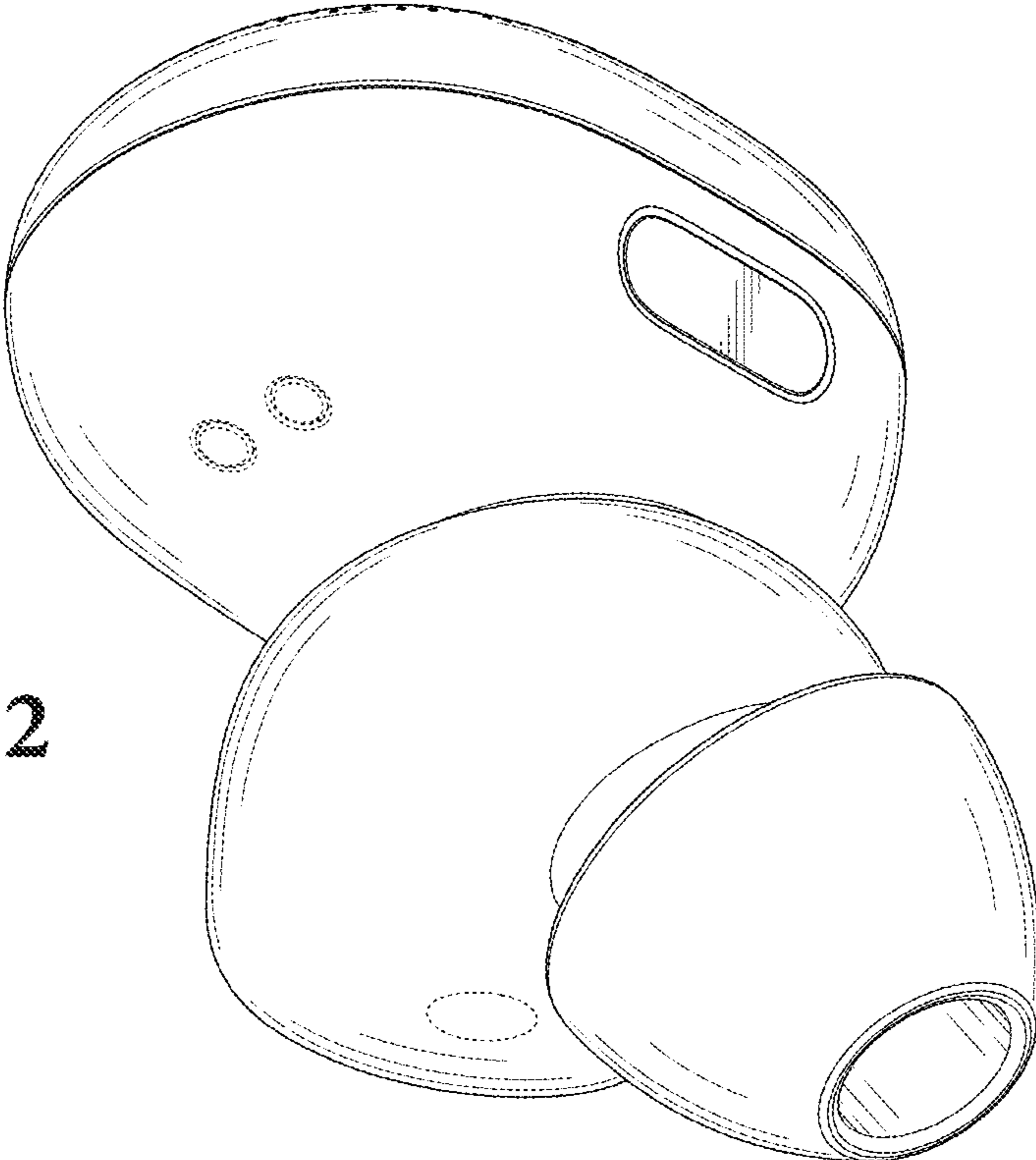


FIG. 2

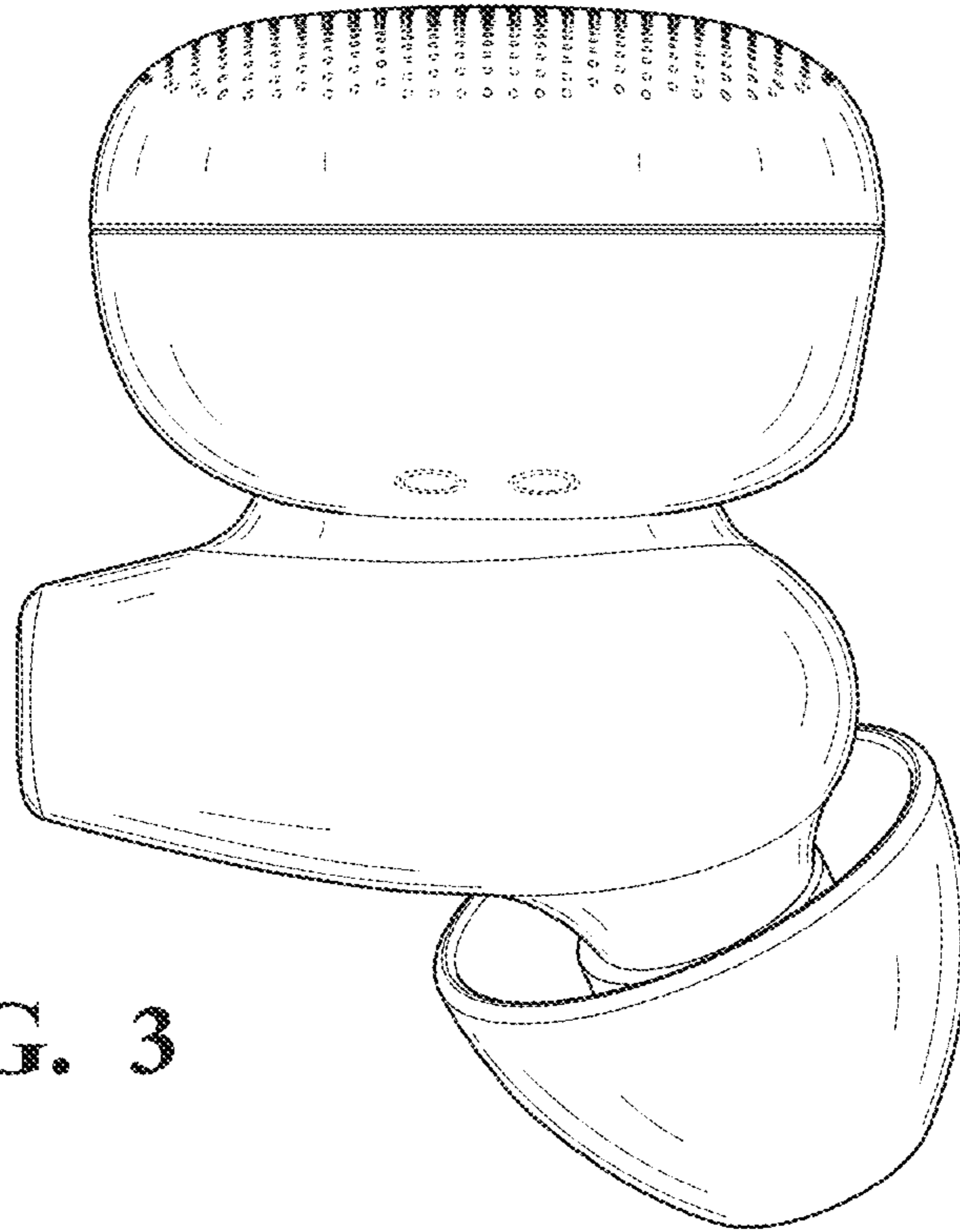


FIG. 3

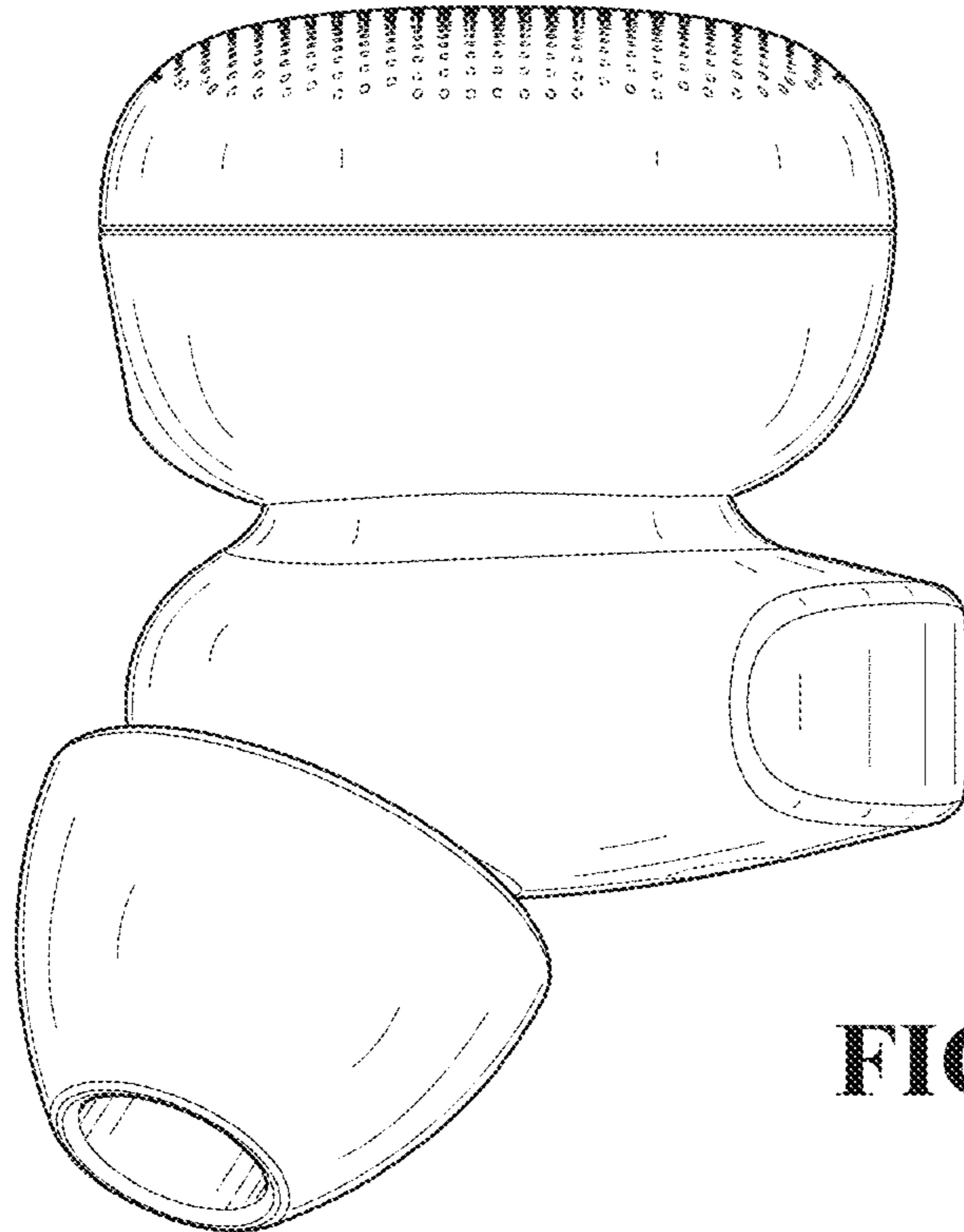


FIG. 4

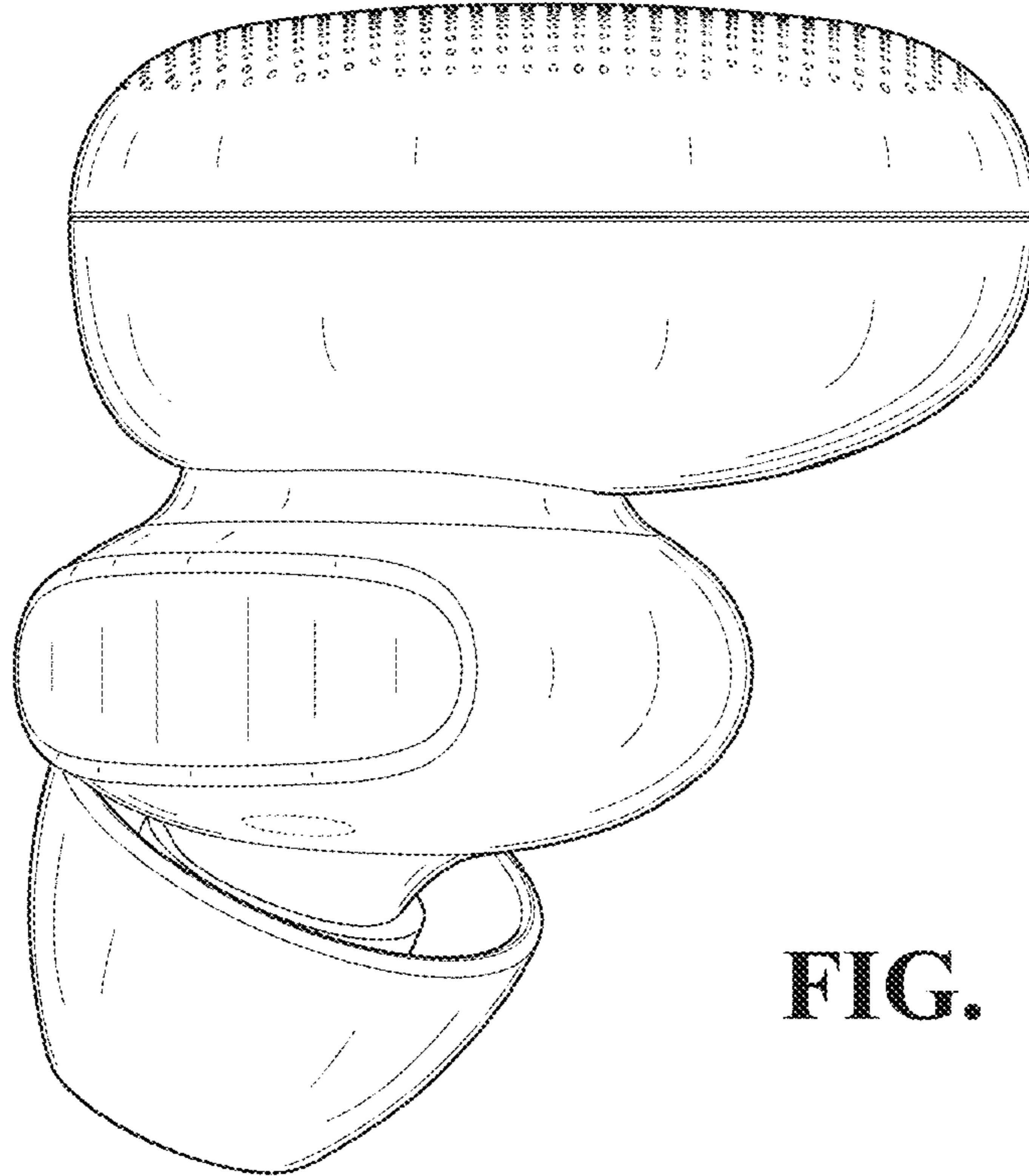


FIG. 5

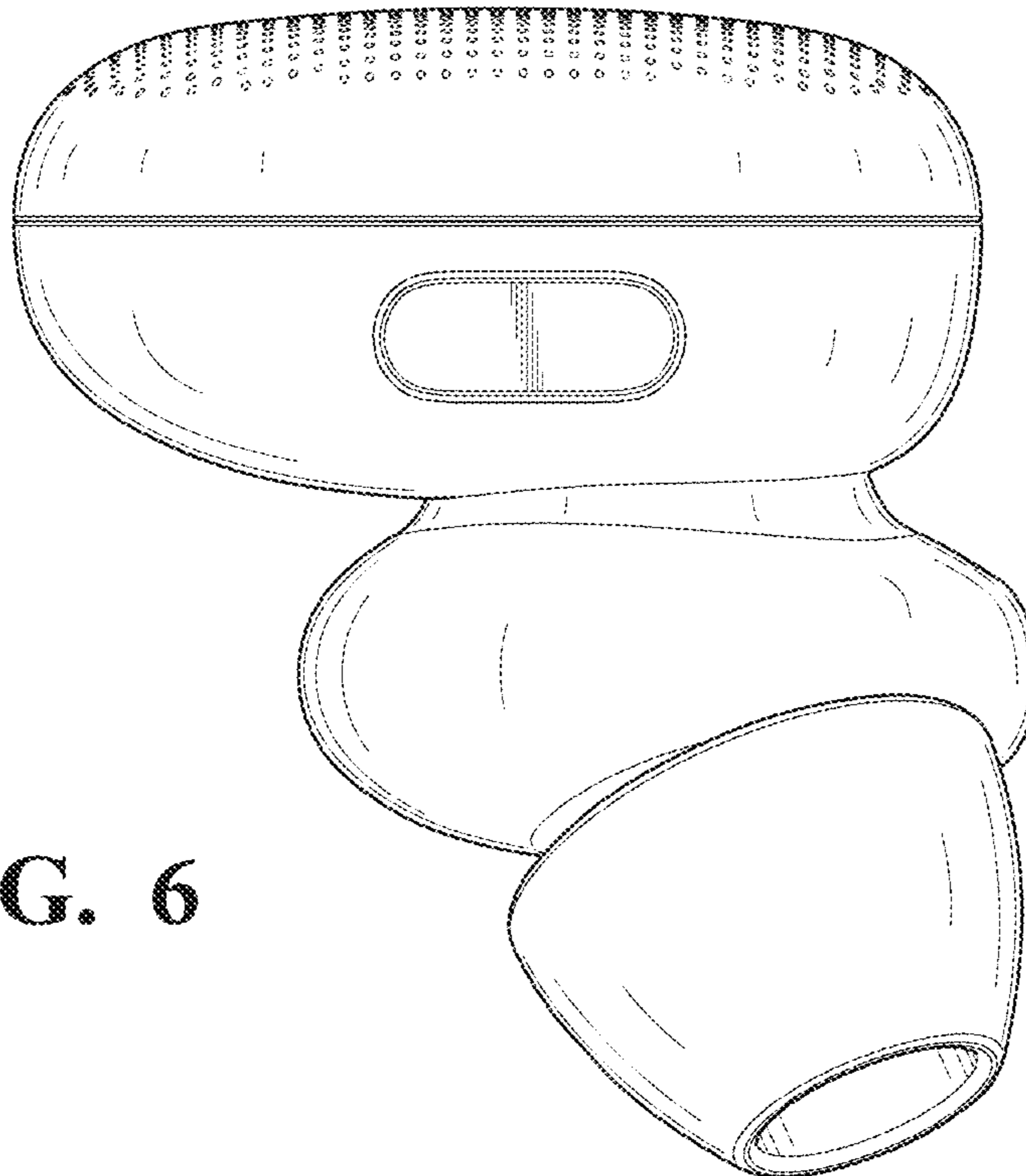


FIG. 6

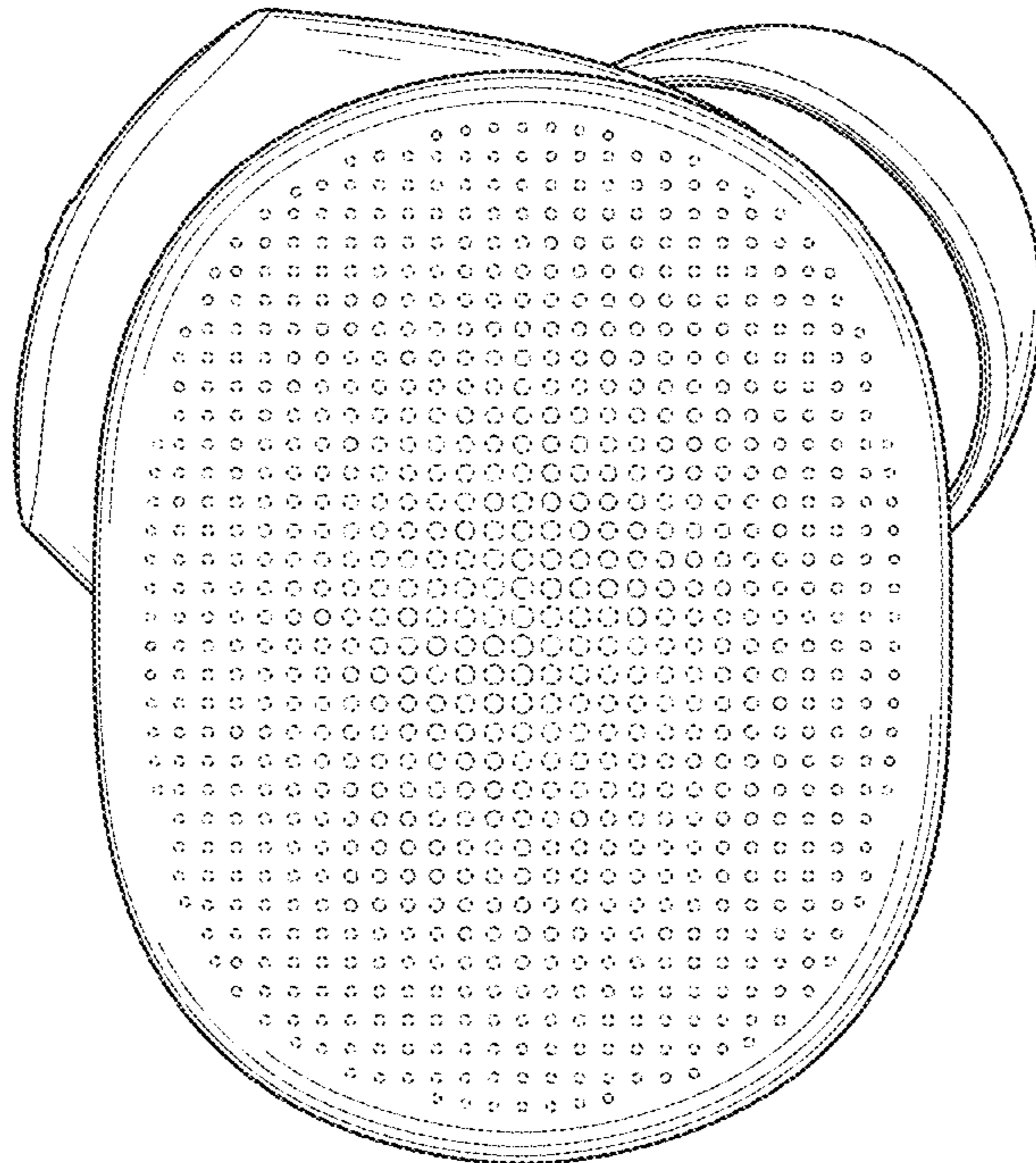


FIG. 7

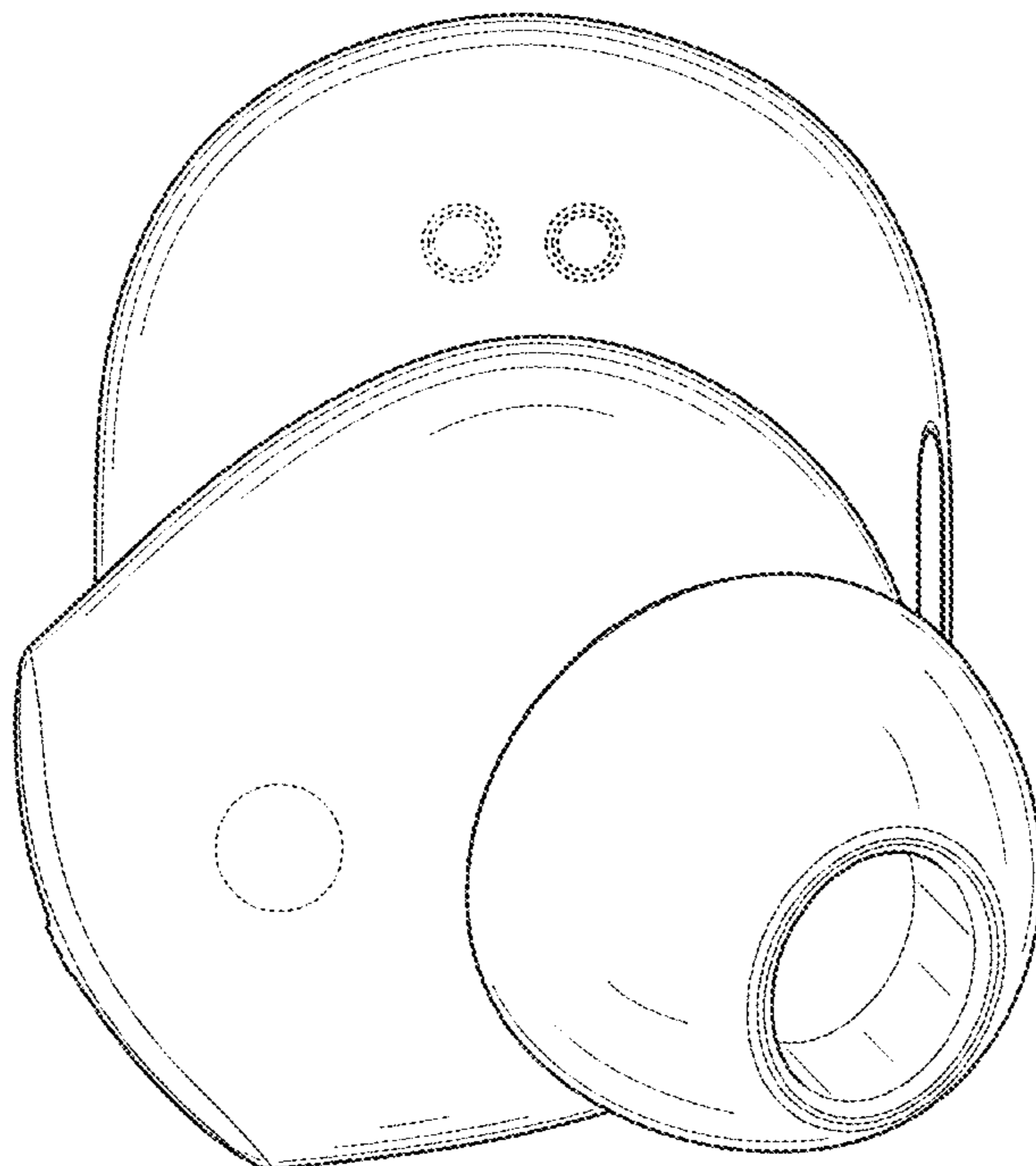


FIG. 8

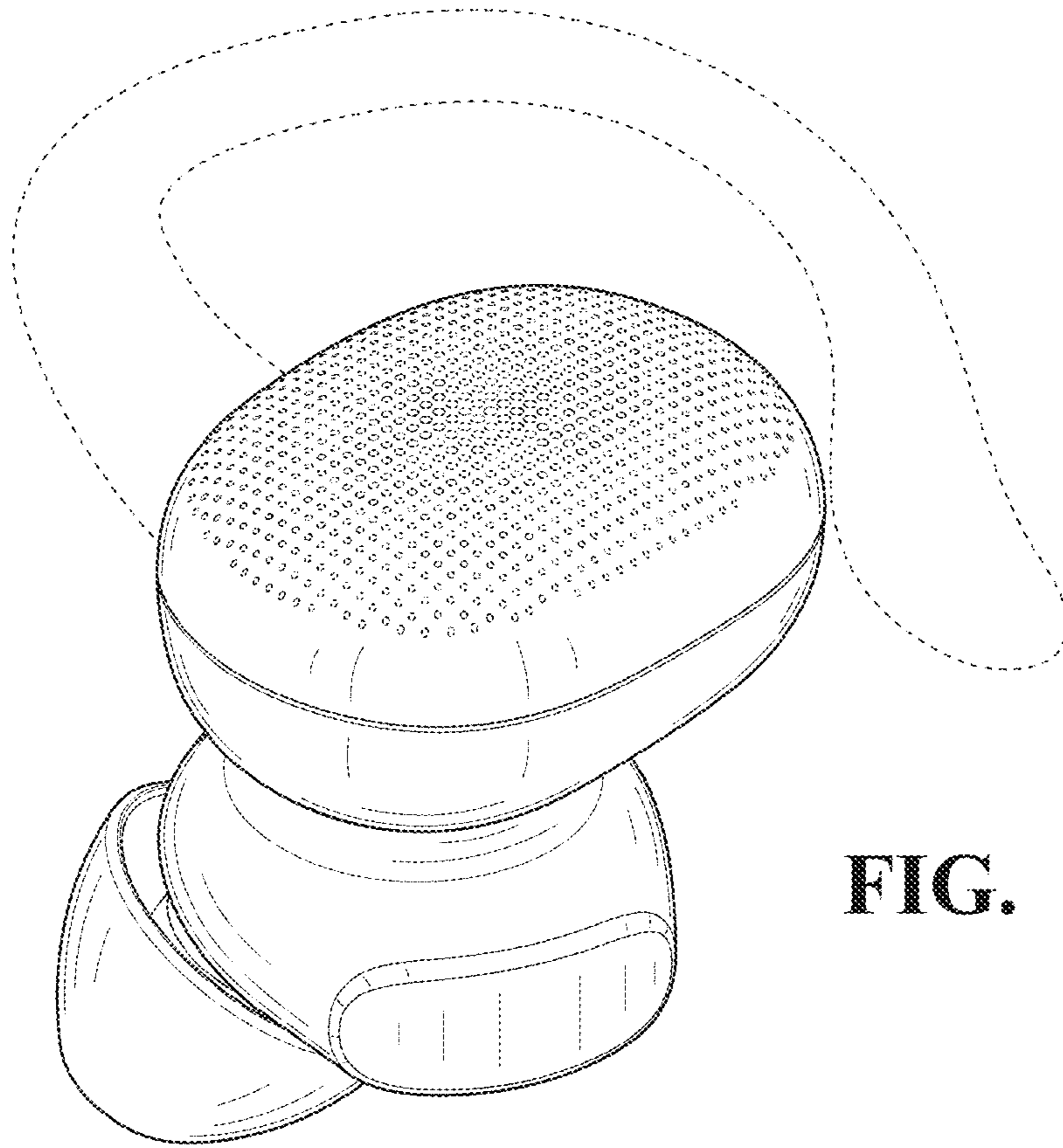


FIG. 9

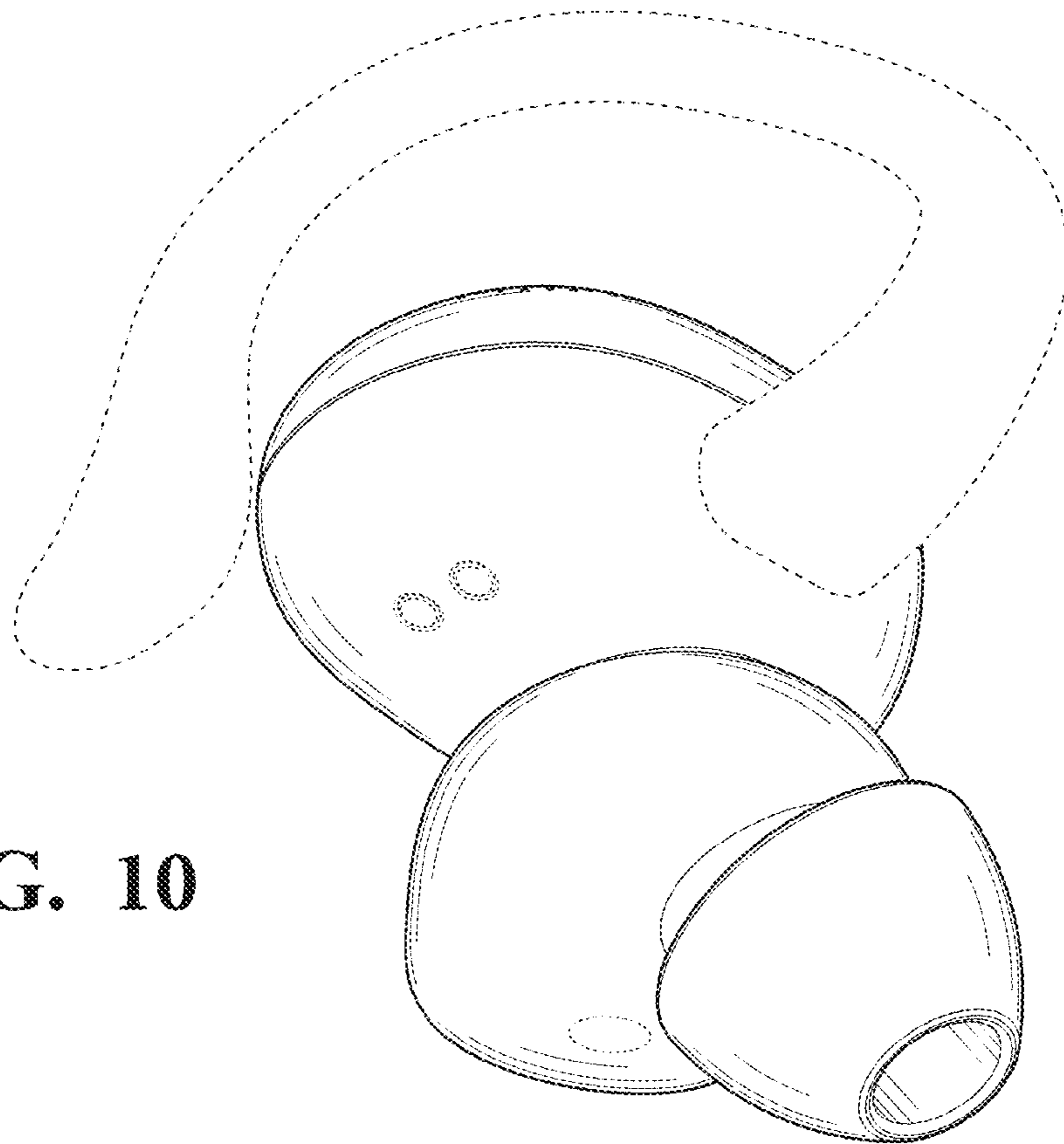


FIG. 10

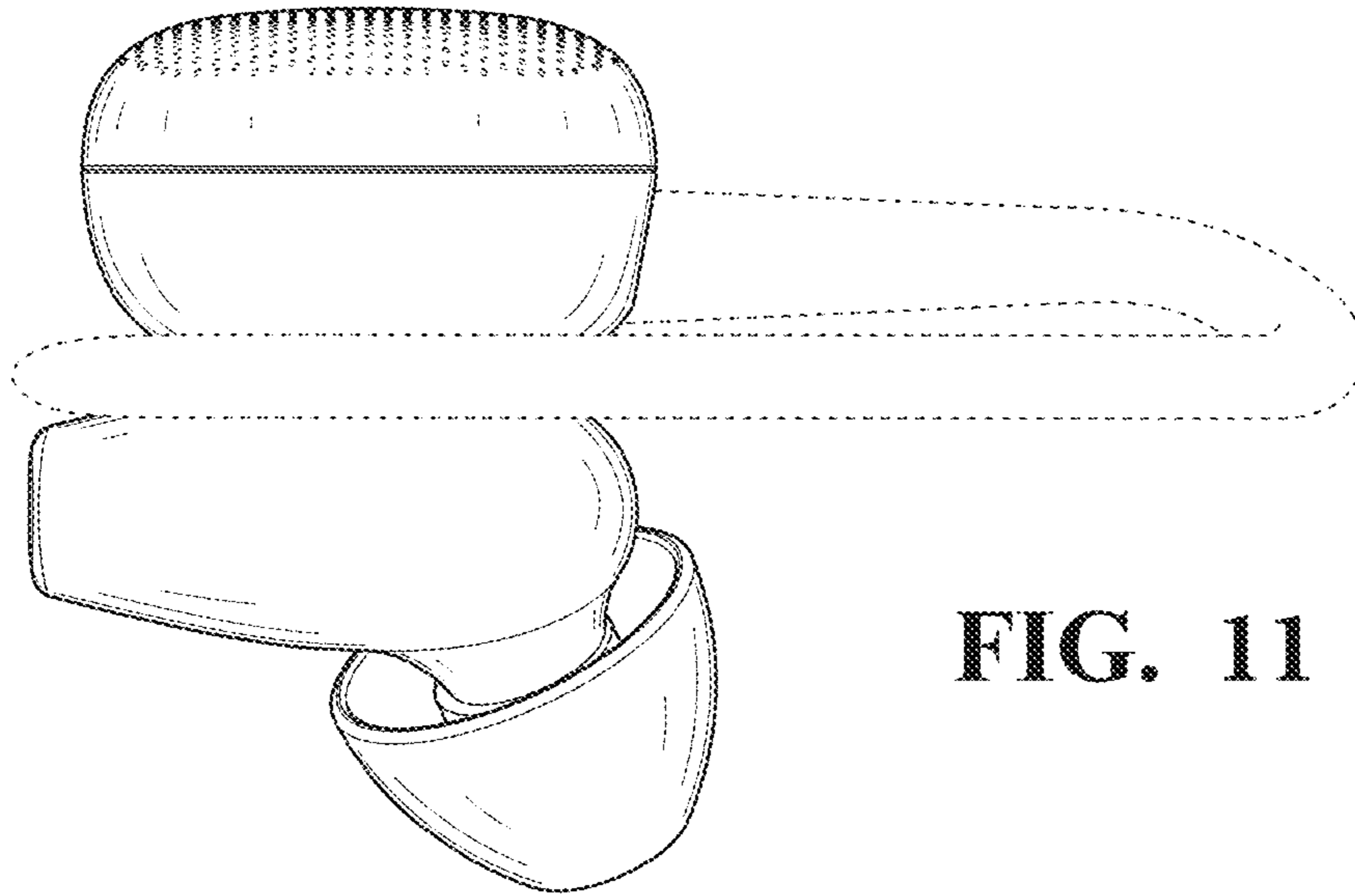


FIG. 11

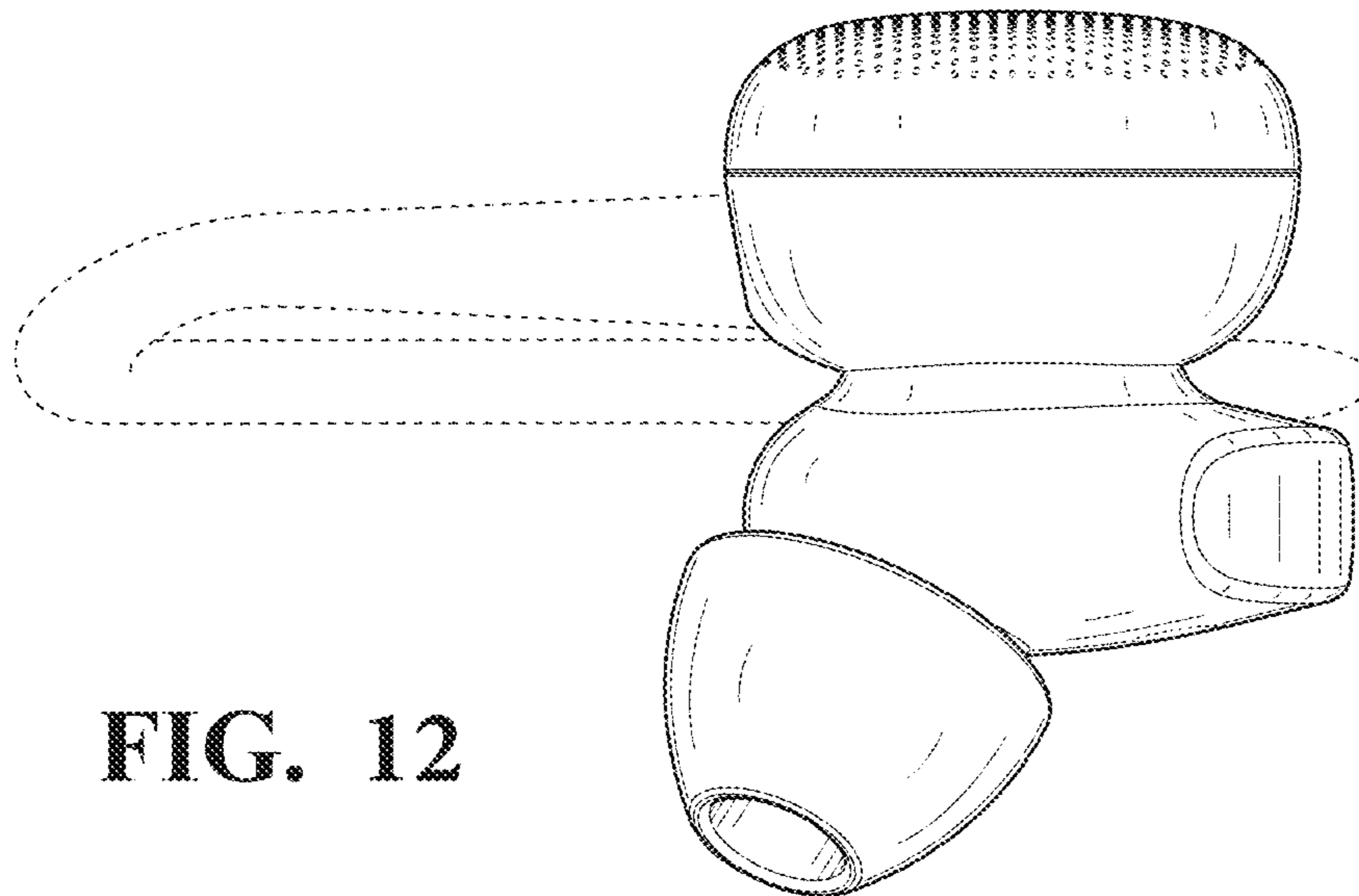


FIG. 12

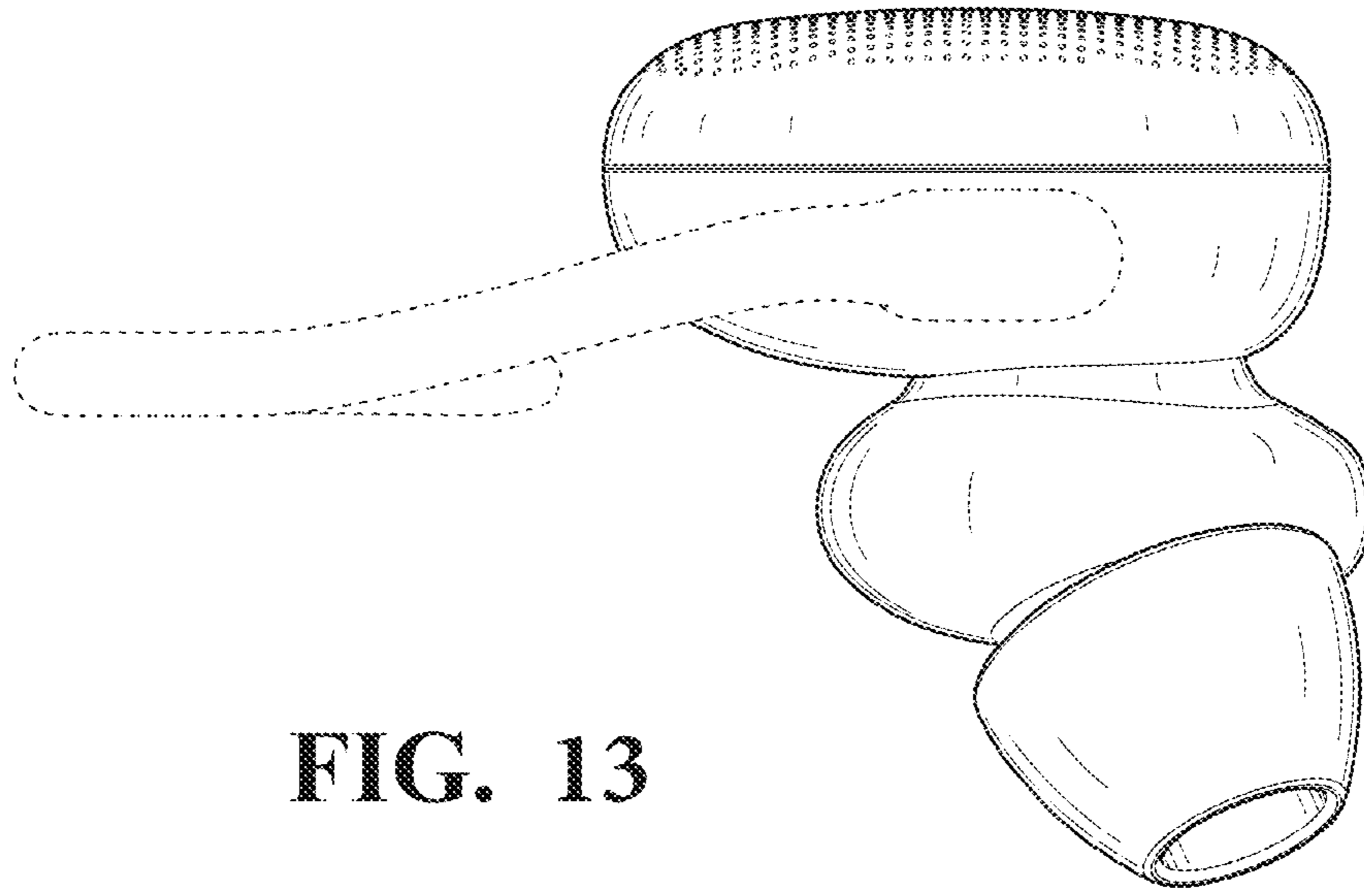


FIG. 13

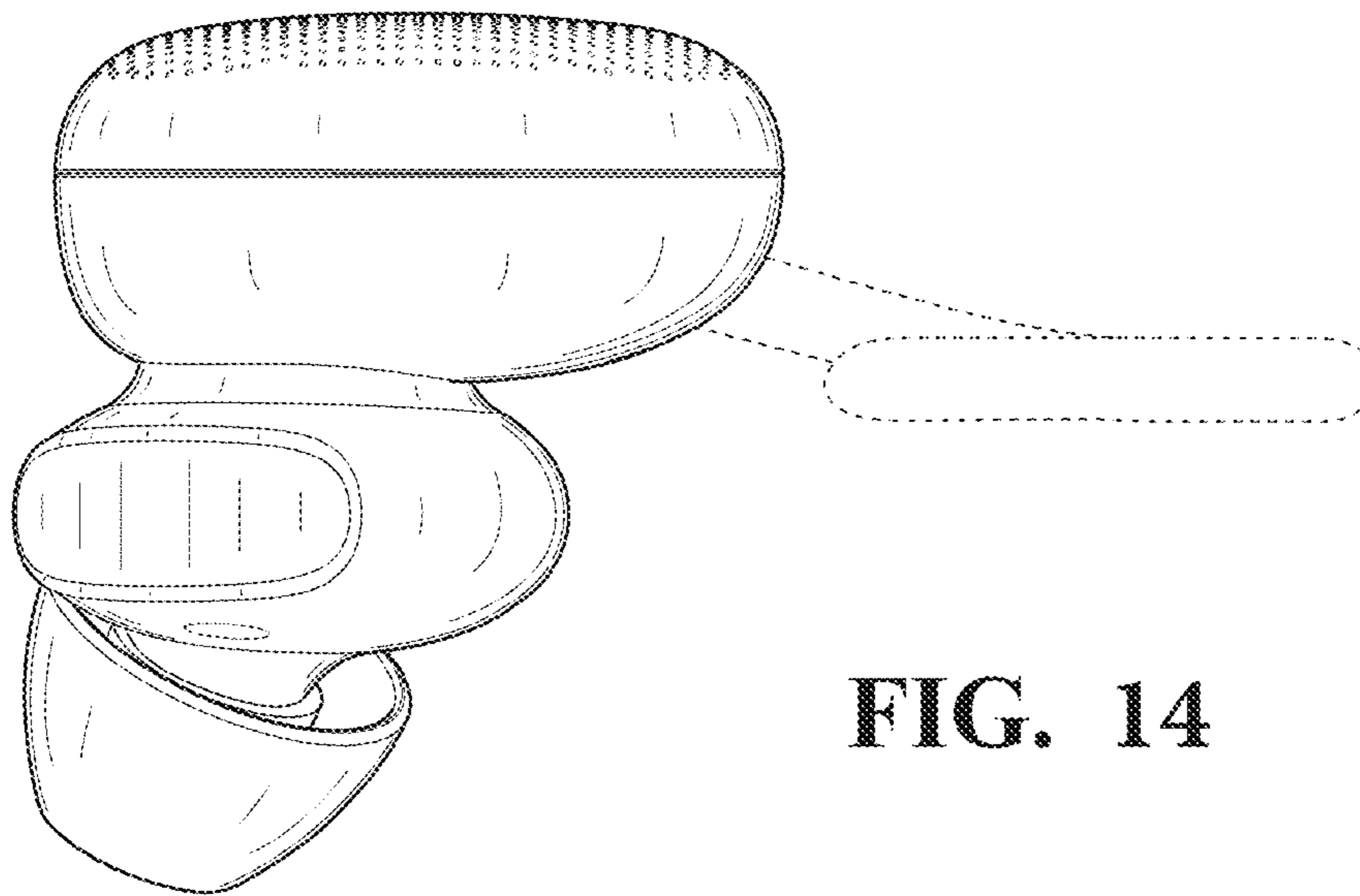


FIG. 14

