



US00D955367S

(12) **United States Design Patent** (10) **Patent No.:** **US D955,367 S**  
**Ruegg et al.** (45) **Date of Patent:** **\*\* Jun. 21, 2022**

(54) **PRESENTER DEVICE**  
(71) Applicant: **Logitech Europe S.A.**, Lausanne (CH)  
(72) Inventors: **Martin Caspar Ruegg**, MuttENZ (CH); **Jasper Phua**, Morges (CH); **Stone Wang**, Hsinchu (TW); **James O'Connor**, Bishopstown (IE); **Khodayar Feiz**, Amsterdam (NL)  
(73) Assignee: **Logitech Europe S.A.**, Lausanne (CH)  
(\*\*) Term: **15 Years**  
(21) Appl. No.: **29/743,254**  
(22) Filed: **Jul. 20, 2020**

D805,502 S \* 12/2017 Zhuang ..... D14/218  
D827,615 S \* 9/2018 Akana ..... D14/218  
D873,804 S \* 1/2020 Garcia ..... D14/218  
D874,440 S \* 2/2020 Shin ..... D14/218  
D901,448 S \* 11/2020 Akana ..... D14/218  
D901,451 S \* 11/2020 Biddle ..... D14/218

**FOREIGN PATENT DOCUMENTS**

CN 303585314 \* 2/2016  
EM 005282803-0002 \* 8/2018  
WO WO D207717-010 \* 5/2020

**OTHER PUBLICATIONS**

Best Universal Remote Controls, Techhive website 2021, site visited Sep. 22, 2021, <https://www.techhive.com/article/3314747/best-universal-remote-control.html>.\*

\* cited by examiner

*Primary Examiner* — John R Yeh  
(74) *Attorney, Agent, or Firm* — Kilpatrick Townsend & Stockton LLP

**Related U.S. Application Data**

(60) Division of application No. 29/710,016, filed on Oct. 18, 2019, now abandoned, which is a continuation of application No. 29/627,596, filed on Nov. 28, 2017, now Pat. No. Des. 867,338.  
(51) **LOC (13) Cl.** ..... **14-03**  
(52) **U.S. Cl.**  
USPC ..... **D14/218**  
(58) **Field of Classification Search**  
USPC ..... D14/218; D13/168, 162–164  
CPC . H04N 7/00; B60R 25/00; H01H 3/14; H01H 9/00  
See application file for complete search history.

(57) **CLAIM**

The ornamental design for presenter device, as shown and described.

**DESCRIPTION**

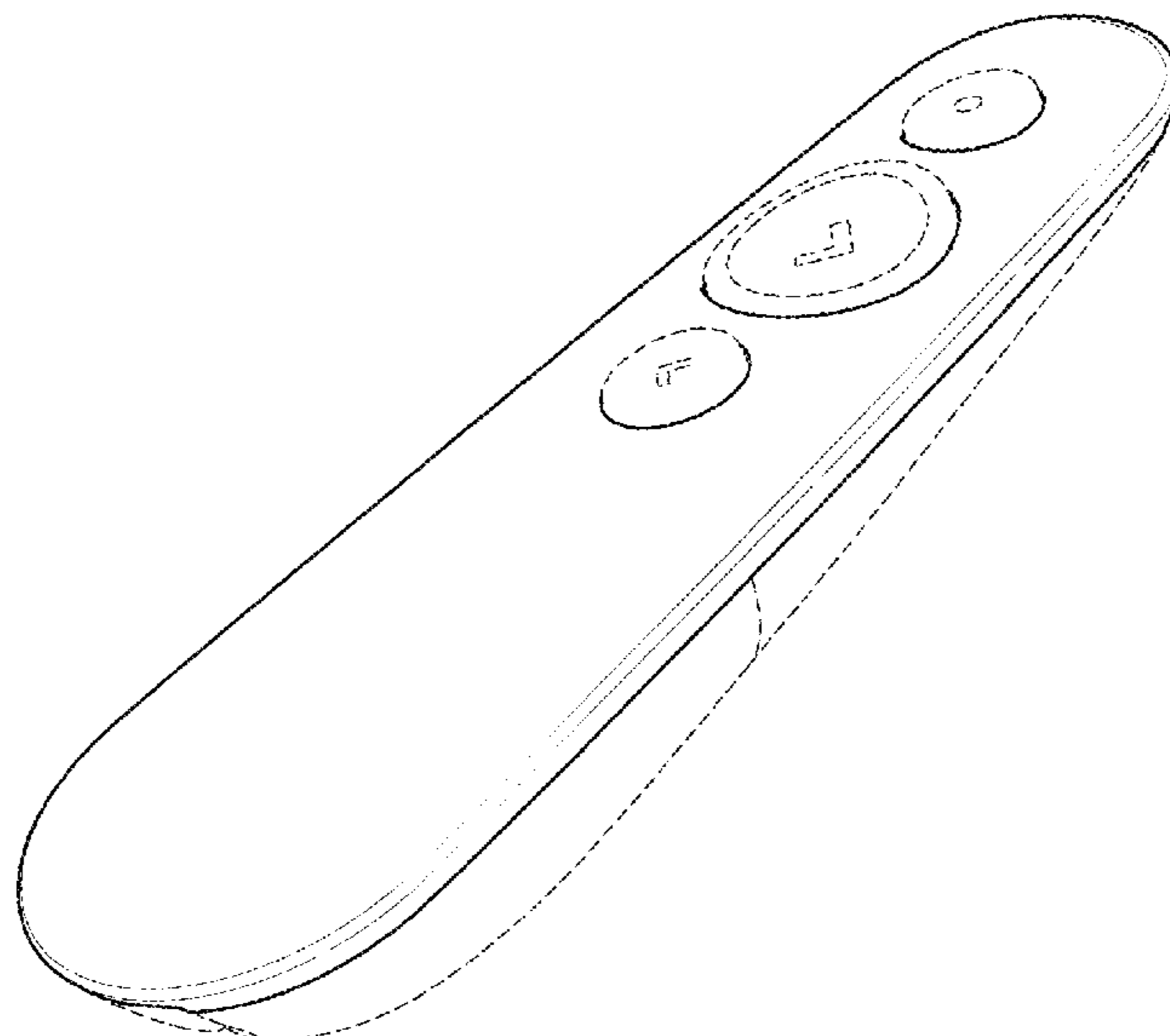
FIG. 1 is a perspective view of a first embodiment of our presenter device showing our design; FIG. 2 is a top plan view thereof; FIG. 3 is a bottom plan view thereof; FIG. 4 is a left side plan view thereof; FIG. 5 is a right side plan view thereof; FIG. 6 is front plan view thereof; and, FIG. 7 is a back plan view thereof. The broken lines in the figures illustrate portions of the presenter device that form no part of the claimed design.

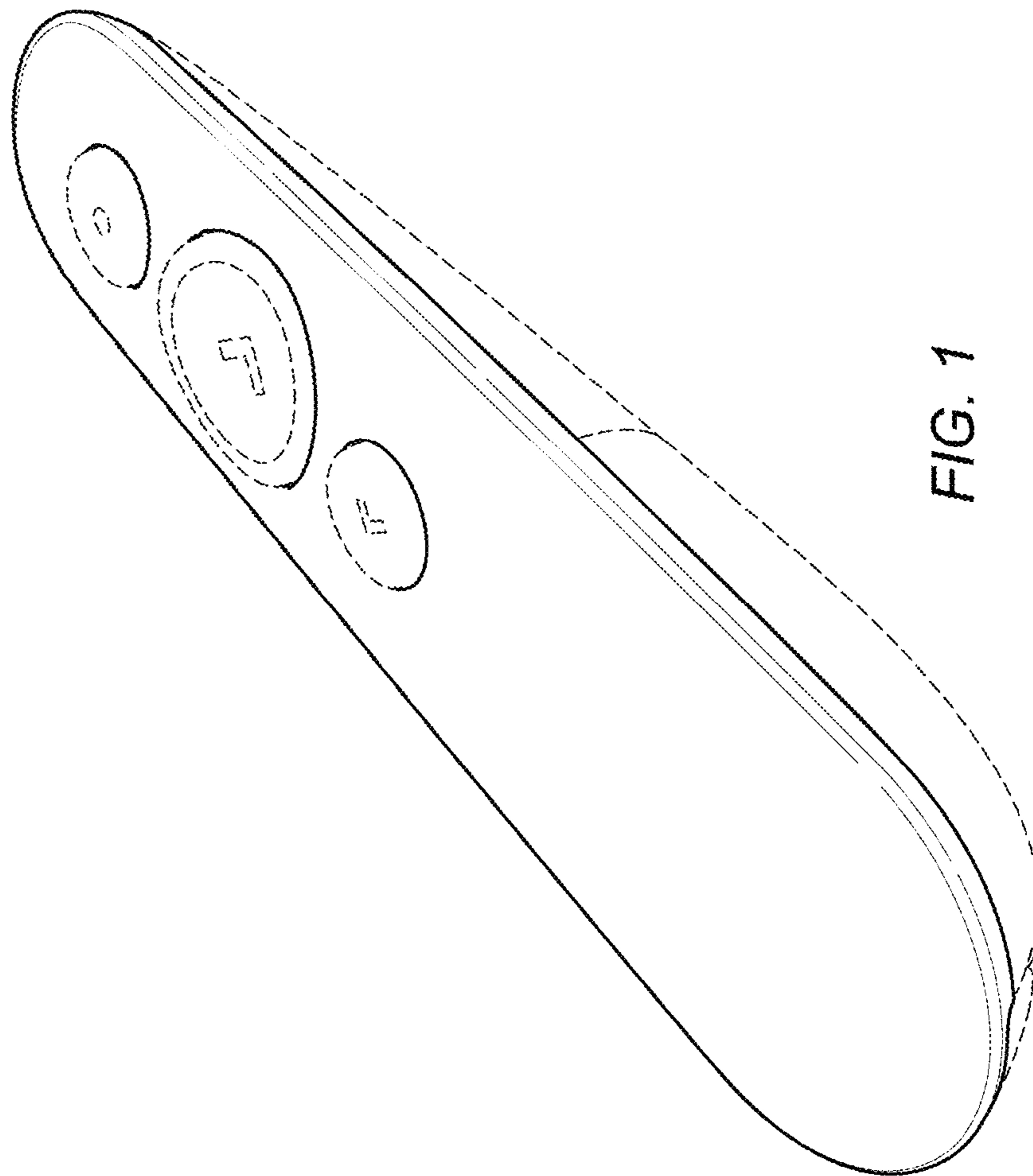
**1 Claim, 4 Drawing Sheets**

(56) **References Cited**

**U.S. PATENT DOCUMENTS**

D604,723 S \* 11/2009 Bodley ..... D14/225  
D687,815 S \* 8/2013 Hwangho ..... D14/218  
D705,755 S \* 5/2014 Zaslavsky ..... D14/218  
D752,025 S \* 3/2016 Akana ..... D14/218  
9,360,874 B2 \* 6/2016 Imes ..... G05D 23/1919  
D801,311 S \* 10/2017 Akana ..... D14/218  
D805,501 S \* 12/2017 Akana ..... D14/218





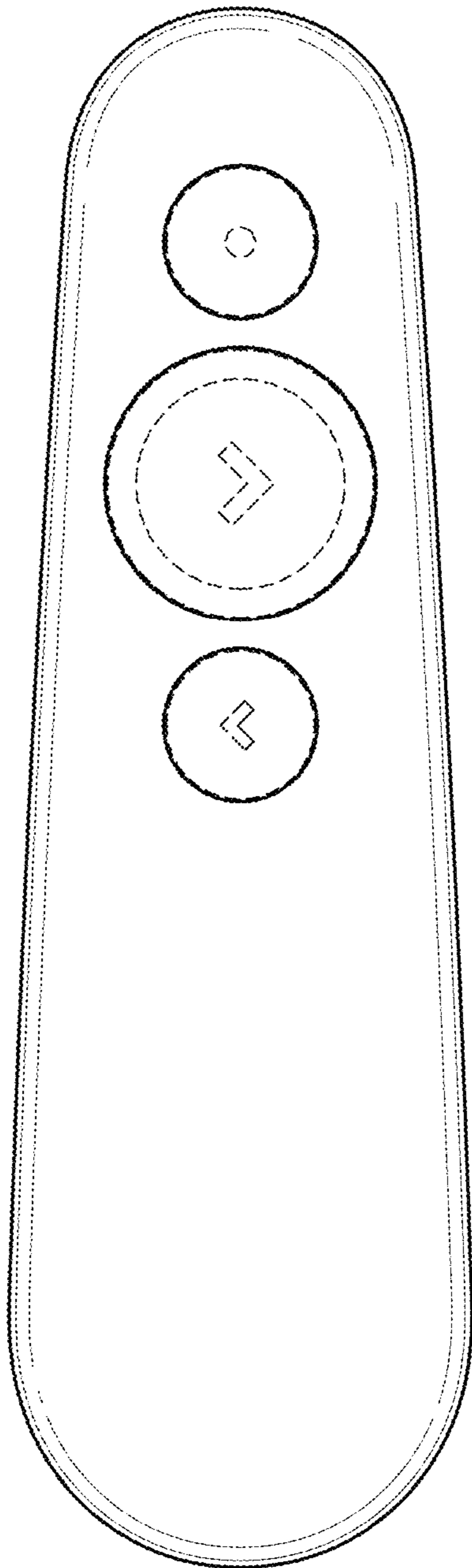


FIG. 2

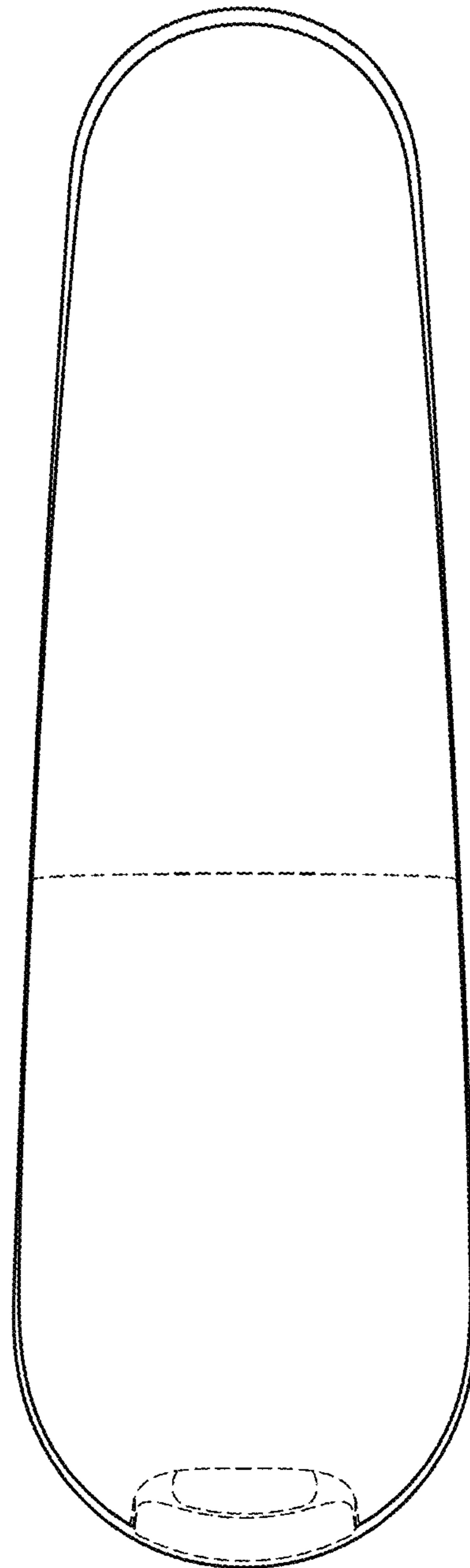


FIG. 3

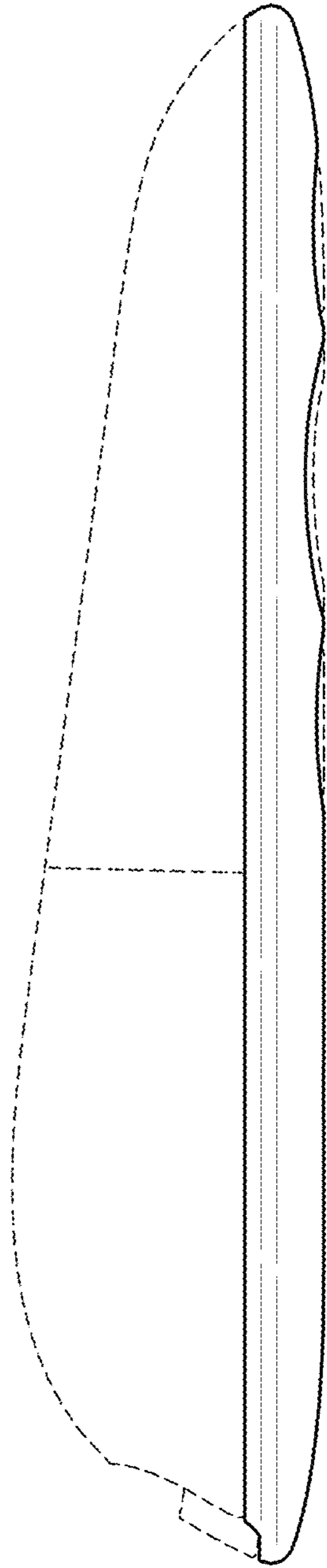


FIG. 4

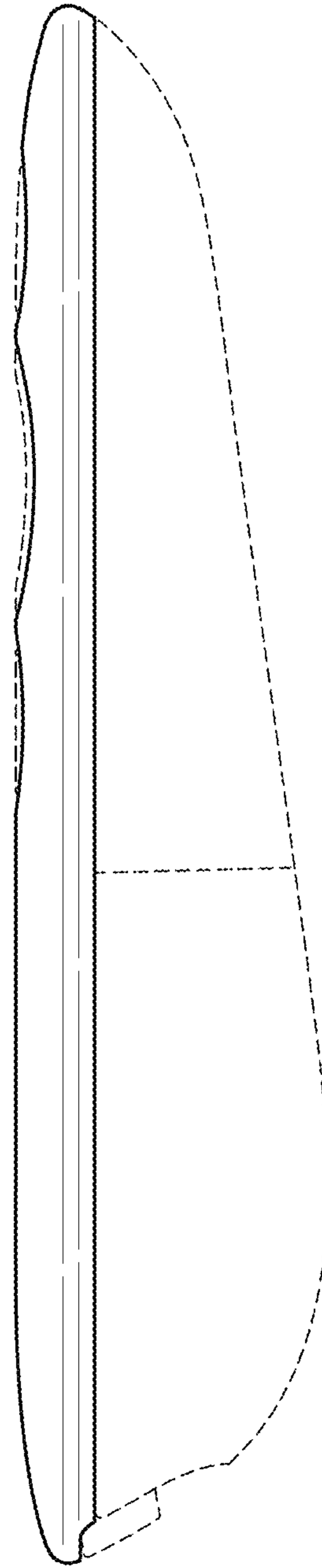


FIG. 5

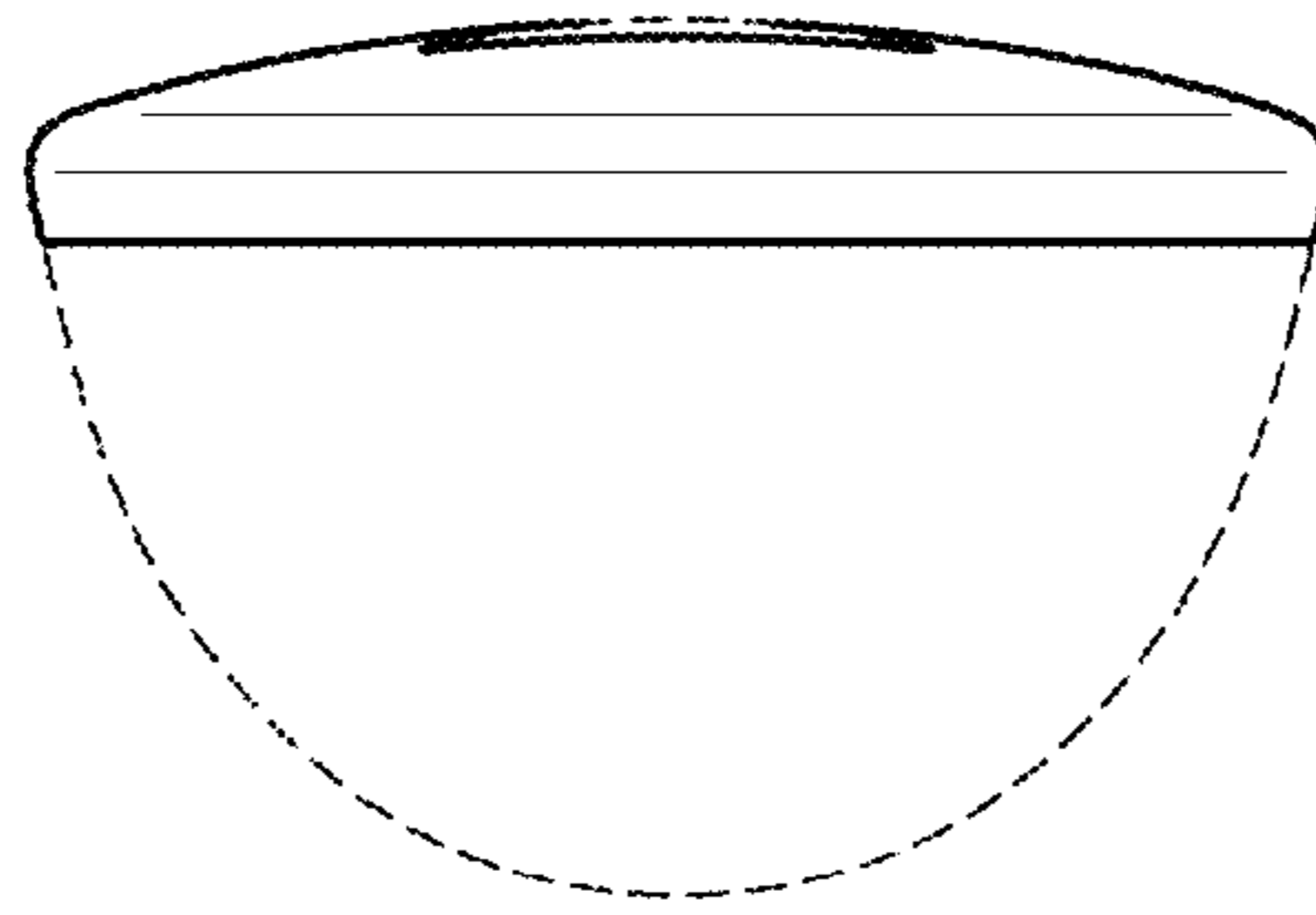


FIG. 6

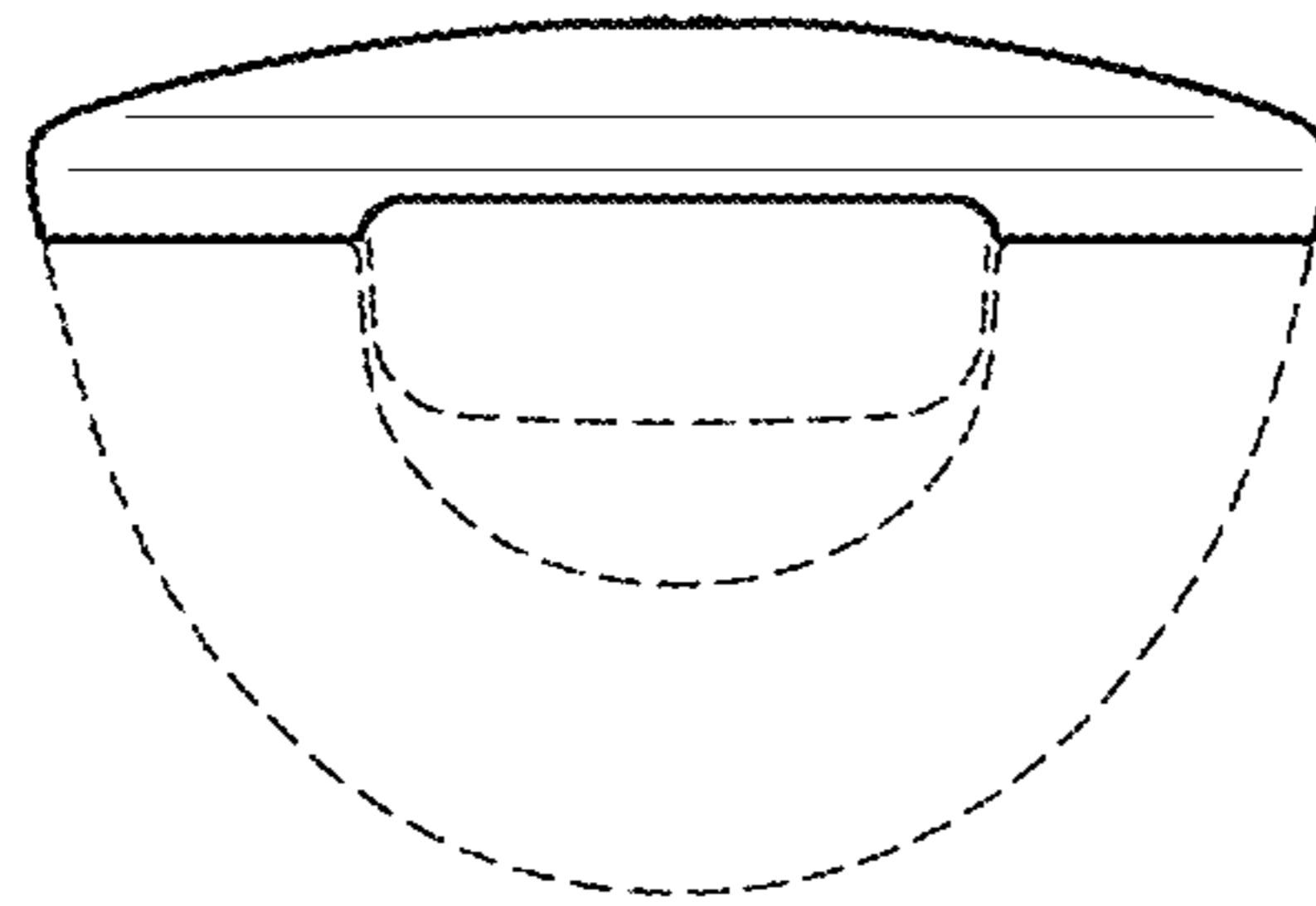


FIG. 7