



US00D955366S

(12) **United States Design Patent** (10) **Patent No.:** **US D955,366 S**
Reichert et al. (45) **Date of Patent:** **** Jun. 21, 2022**

(54) **REMOTE CONTROL**
(71) Applicant: **GOOGLE LLC**, Mountain View, CA (US)
(72) Inventors: **Stefan Reichert**, Mountain View, CA (US); **Henry A. Beyer**, San Francisco, CA (US); **Maj Isabelle Olsson**, Sunnyvale, CA (US); **Katherine Morgenroth**, Los Gatos, CA (US); **Carl Cepress**, Los Altos, CA (US); **Diana Chang**, San Jose, CA (US)

D805,484 S * 12/2017 Bristol D14/218
D880,456 S * 4/2020 Russo D14/218
D909,994 S * 2/2021 Bristol D14/218
D912,635 S * 3/2021 Birchler D13/168
D915,232 S * 4/2021 Lee D10/104.1
D916,035 S * 4/2021 Shi D14/218
D923,588 S * 6/2021 Zhu D13/168
D929,949 S * 9/2021 Li D13/168
D932,449 S * 10/2021 Zhu D13/168
D934,246 S * 10/2021 Ge D21/333
D936,916 S * 11/2021 Li D10/104.1
D938,940 S * 12/2021 Park D14/218

(73) Assignee: **GOOGLE LLC**, Mountain View, CA (US)

What to Make of the Nexus TV?, www.bearded-dad.com, Sep. 5, 2017. <https://bearded-dad.com/make-nexus-tv-read-nexus-tv-review/> (Year: 2017).*

(**) Term: **15 Years**

(Continued)

(21) Appl. No.: **29/737,188**

Primary Examiner — Llorellys Martinez

(22) Filed: **Jun. 5, 2020**

Assistant Examiner — Kwabena A. Ankobiah

(51) **LOC (13) Cl.** **14-03**

(74) *Attorney, Agent, or Firm* — Leason Ellis LLP

(52) **U.S. Cl.**
USPC **D14/218**

(57) **CLAIM**

(58) **Field of Classification Search**
USPC D14/203.3, 217, 218, 204–206, 174, 380, D14/388, 396; D10/49, 50; D13/168, D13/164; D21/405, 566, 333
CPC .. H04N 5/00; H04N 5/14; H04N 5/44; H04N 7/00; H04N 21/00; G06F 3/01; G06F 3/016; G06F 3/017; G06F 3/02; G08C 17/00; H03J 9/00; H05K 5/0017
See application file for complete search history.

The ornamental design for a remote control, as shown and described.

DESCRIPTION

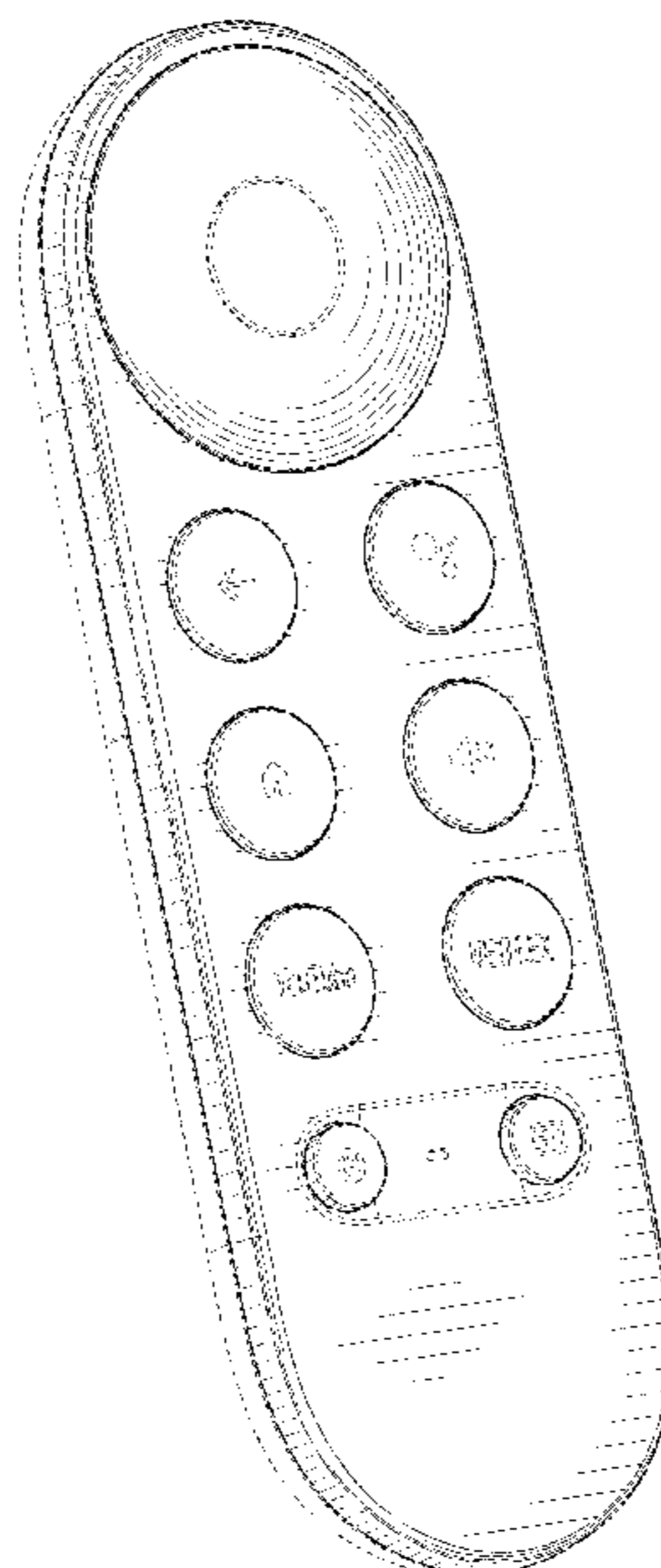
(56) **References Cited**

FIG. 1 is a front perspective view of a remote control showing our new design;
FIG. 2 is a front elevational view thereof;
FIG. 3 is a rear elevational view thereof;
FIG. 4 is a left-side elevational view thereof;
FIG. 5 is a right-side elevational view thereof;
FIG. 6 is a top plan view thereof; and,
FIG. 7 is a bottom plan view thereof.
The broken lines in the drawings represent portions of the remote control that form no part of the claimed design.

U.S. PATENT DOCUMENTS

D600,228 S * 9/2009 Finney D14/138 AC
D763,830 S * 8/2016 Jones et al.
D776,640 S * 1/2017 Simonian D14/218

1 Claim, 5 Drawing Sheets



(56)

References Cited

OTHER PUBLICATIONS

Harmony Express, www.androidpolice.com, Apr. 16, 2019. <https://www.androidpolice.com/2019/04/16/harmony-express-is-a-250-minimal-universal-remote-with-built-in-alexa/> (Year: 2019).*

Remote Control for Original Google Nexus Player, www.amazon.com, May 30, 2019. <https://www.amazon.com/Control-Original-B-26-0001-SC2-GN14K-Controller/dp/B07SH5XT6D> (Year: 2019).*

Australian Office Action dated Feb. 11, 2022 for the corresponding Australian Patent Application No. 202114517.

Australian Office Action dated Nov. 12, 2021 for the corresponding Australian Patent Application No. 202114517.

Australian Office Action dated Nov. 12, 2021 for the corresponding Australian Patent Application No. 202113098.

“Exclusive: This is Google’s Android TV dongle and new Android TV UI”—XDA; published Jun. 3, 2020 (Retrieved from the Internet Feb. 14, 2022). Internet URL: <https://www.youtube.com/watch?v=gLcoaEDBre0&t=209s> (Year: 2022).

“Heres our best look yet at Googles new Android TV streaming device The Verge” published Jun. 2, 2020 (Retrieved from the Internet Feb. 14, 2022) Internet URL: <https://www.theverge.com/2020/6/2/21278232/google-android-tv-streaming-device-new-leak-images-video-remote>.

“New Google Android TV image Sabrina looks clean and small as a ChromeCast DroidSans” published Jun. 4, 2020 (Retrieved from the Internet Feb. 14, 2022) Internet URL: <https://droidsans.com/android-tv-sabrina-leaked/>.

“Franco Gr on Twitter RIP Chromecast xdadevelopers httpst.coUbYyaomvr3 httpst.co9Kg0gO7OIV Twitter” published (Retrieved from the Internet Feb. 14, 2022) Internet URL: <https://twitter.com/fmgr/status/1267861782556749825>.

“Massive Google Android TV leak continues with video teaser of where the interface might be heading” published Jun. 3, 2020 (Retrieved from the Internet Feb. 14, 2022) Internet URL: <https://androidpolice.com/2020/06/03/heres-what-googles-new-android-tv-dongle-and-remote-control-might-look-like/>.

“Exclusive This is Googles Android TV dongle remote and New UI” published Jun. 2, 2020. (Retrieved from the Internet Feb. 14, 2022) Internet URL: <https://www.xda-developers.com/google-android-tv-dongle-remote-ui/>.

“Android TV stick Googles next Android TV streaming device and UI leaked in new renders” published Jun. 3, 2020. (Retrieved from the Internet Feb. 14, 2022) Internet URL: <https://timesnownews.com/technology-science/article/googles-next-android-tv-streaming-device-and-ui-leaked-in-new-renders/601023>.

“Sabrina—Google Android TV dongle” published Jun. 3, 2020 (Retrieved from the Internet Feb. 14, 2022). Internet URL: <https://youtu.be/huMbctoMz0Q?t=9> (Year: 2022).

* cited by examiner

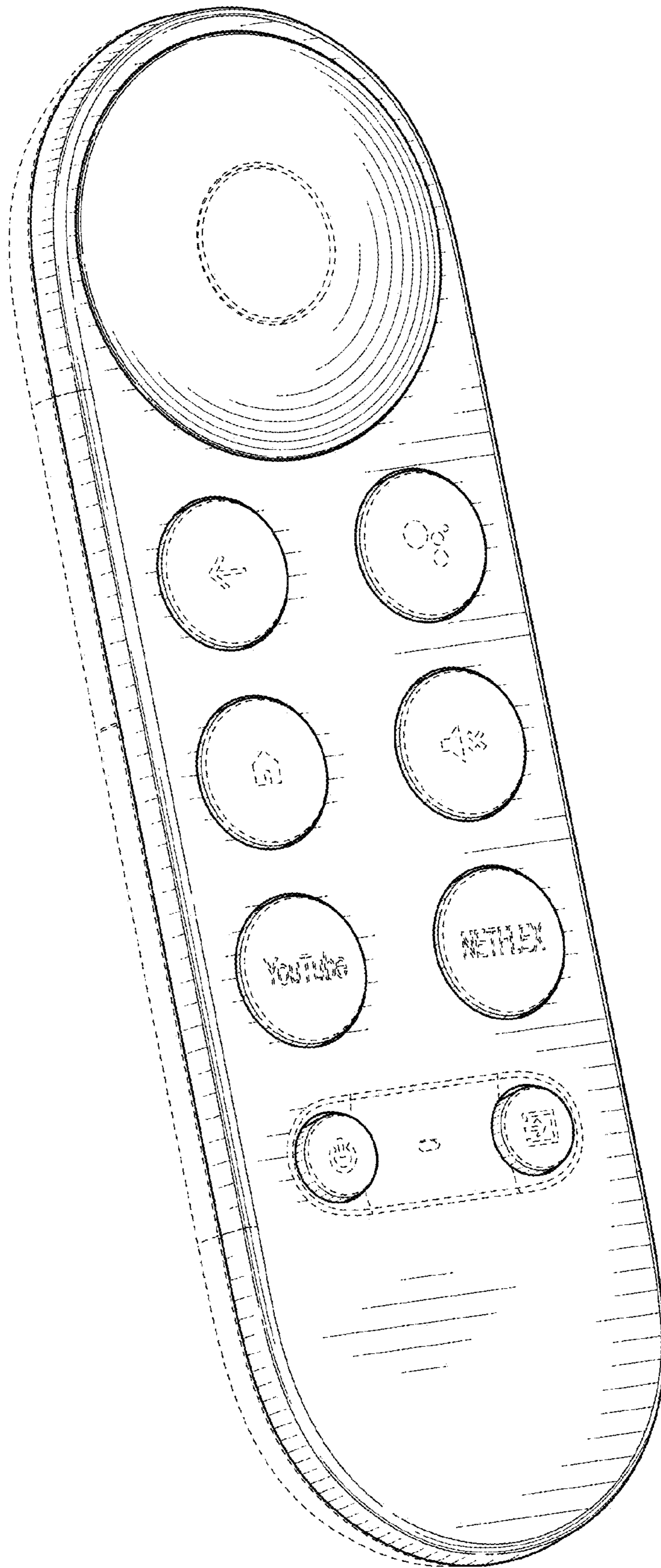


FIG. 1

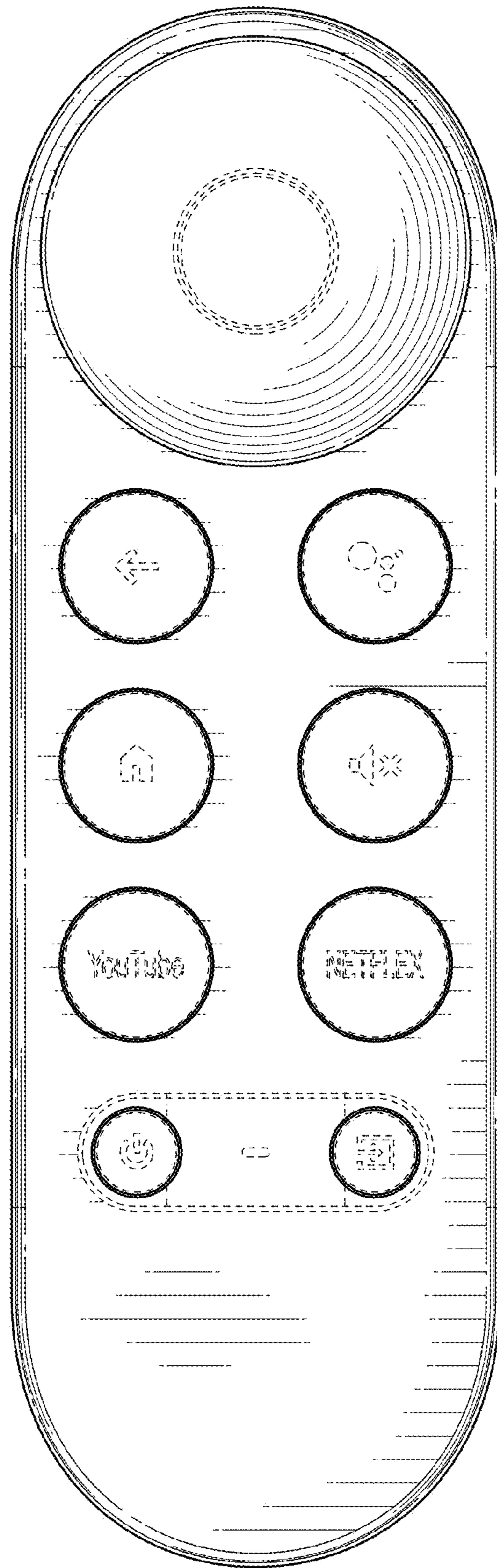


FIG. 2

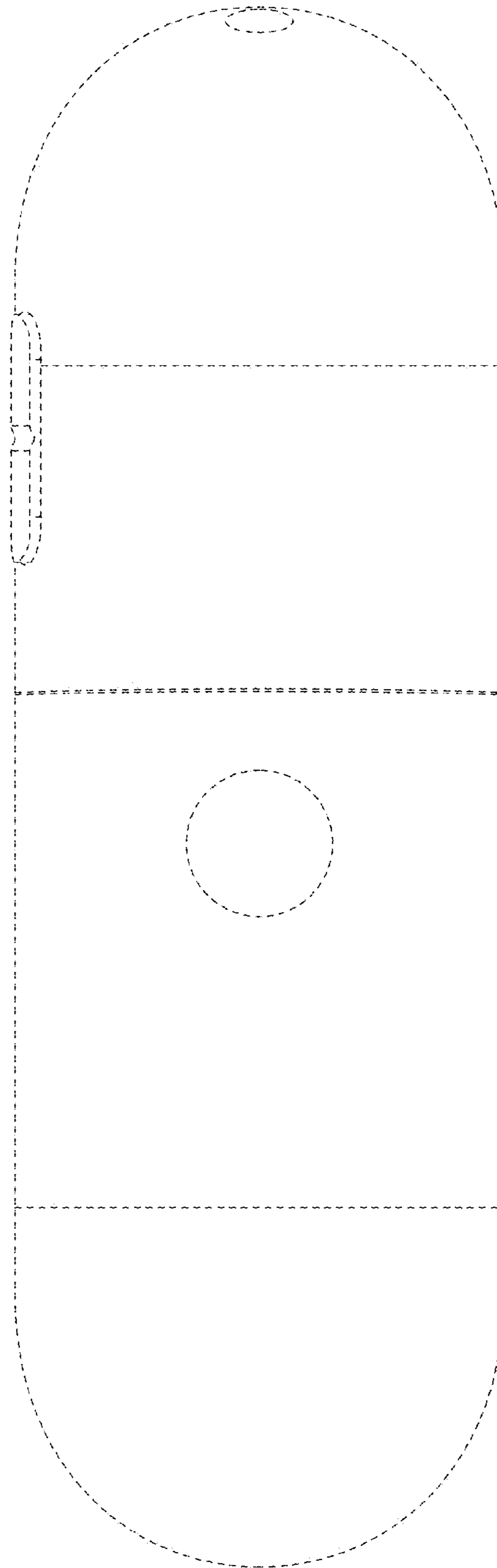


FIG. 3

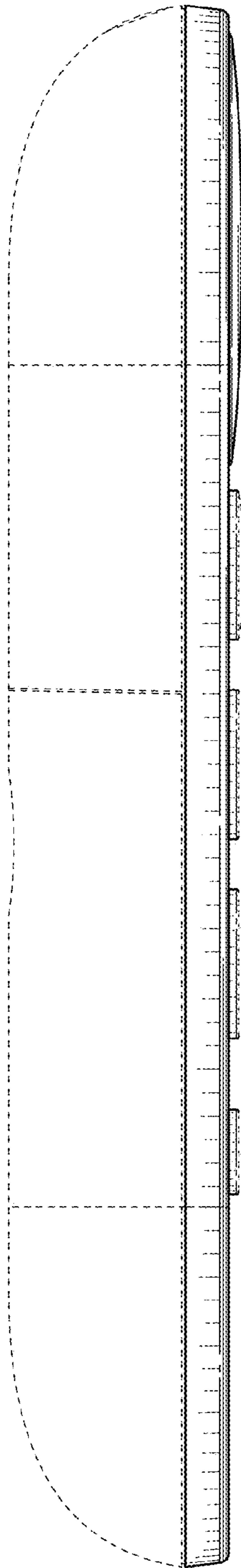


FIG. 4

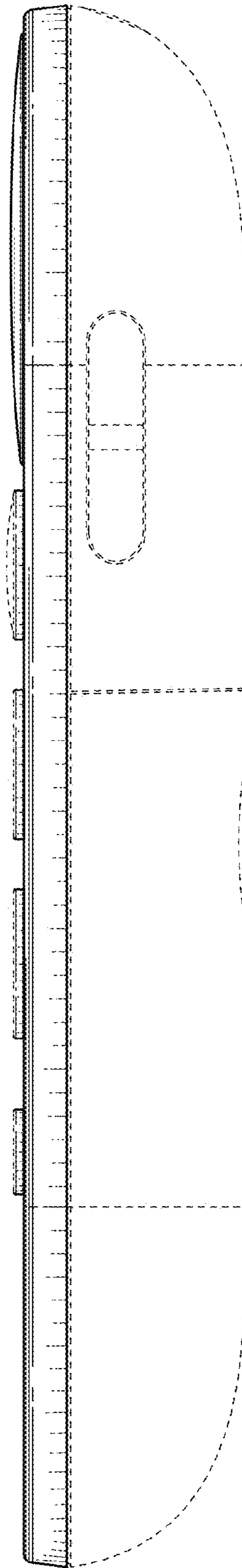


FIG. 5

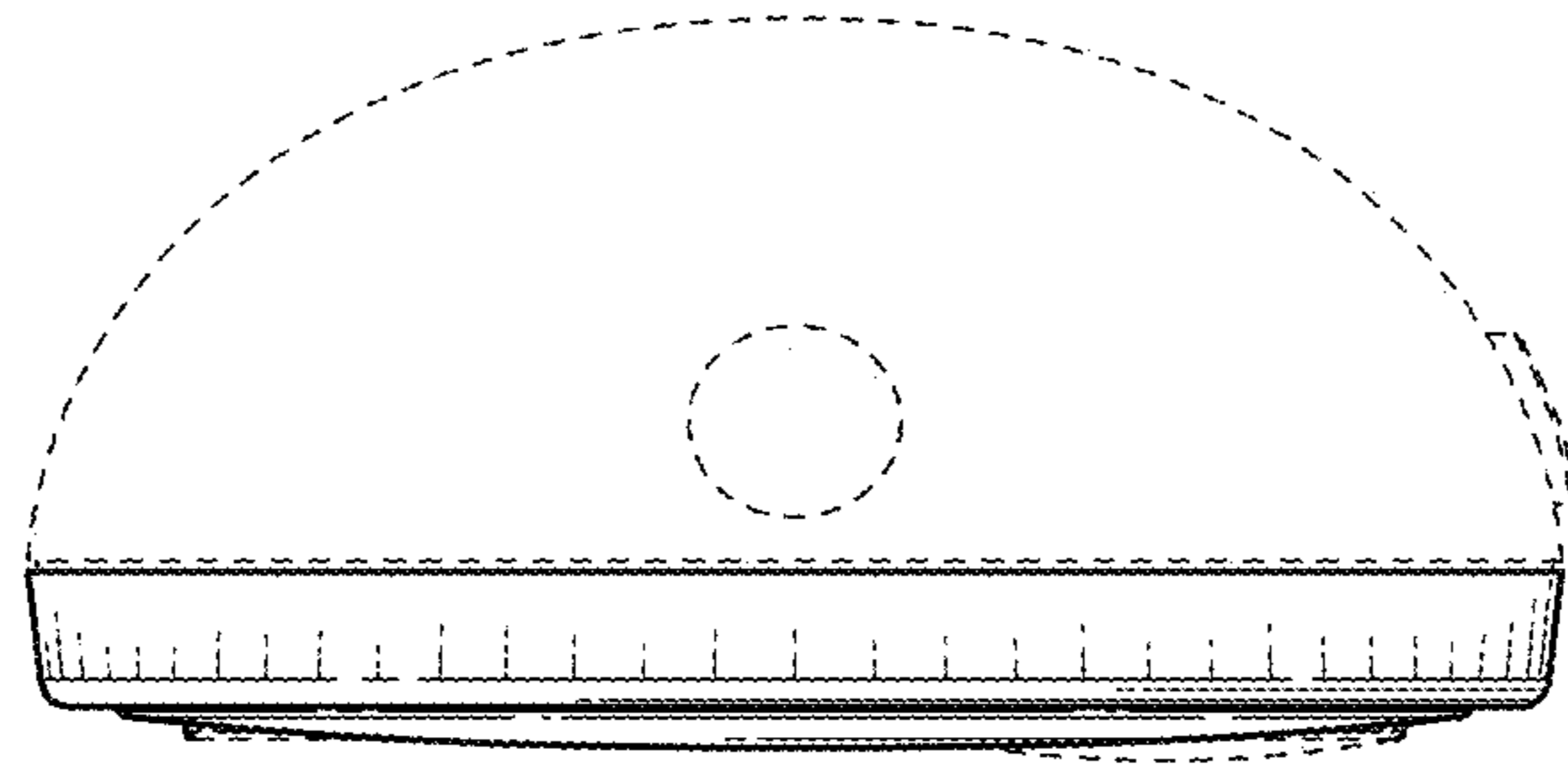


FIG. 6

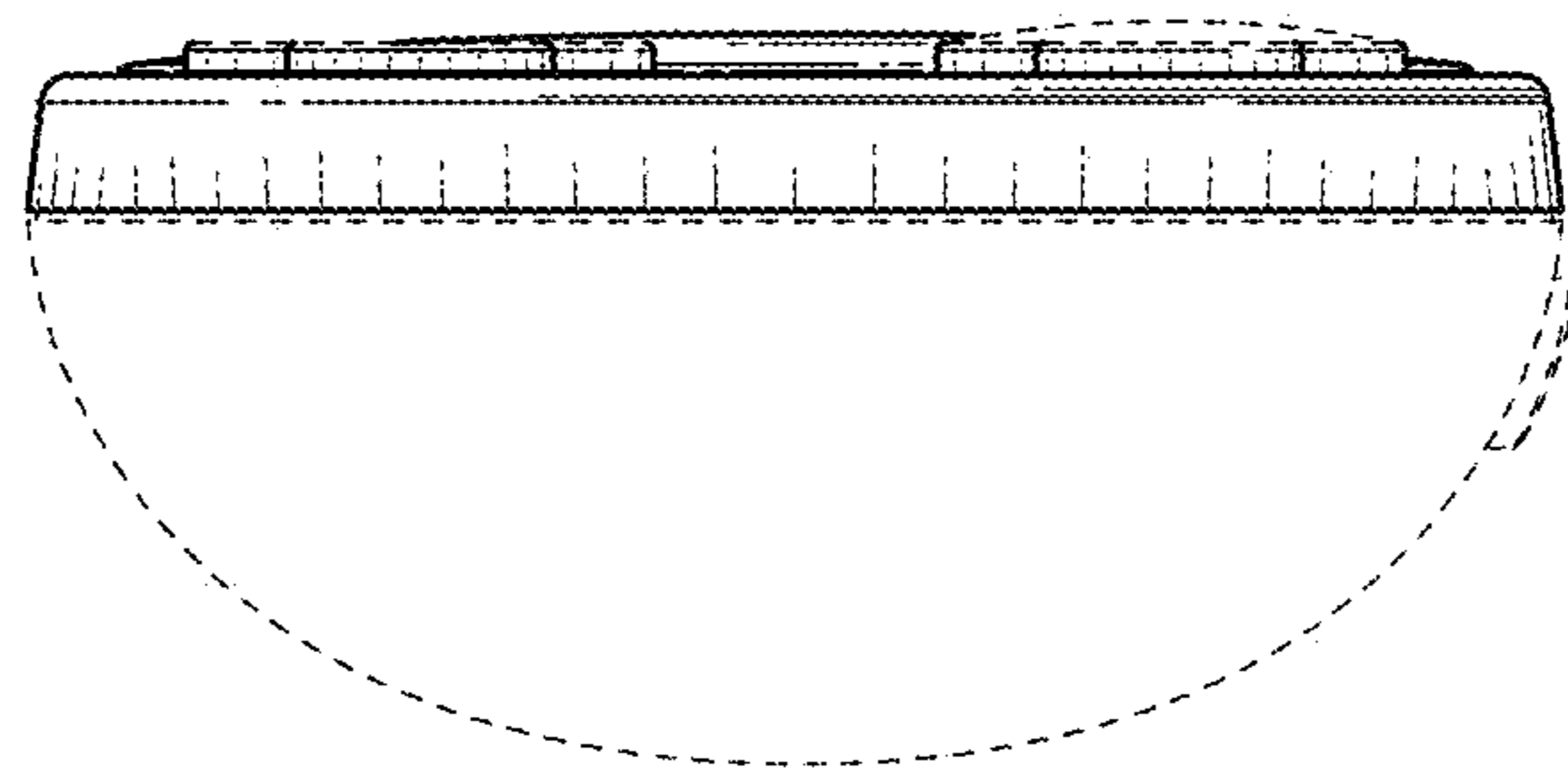


FIG. 7