



US00D955364S

(12) **United States Design Patent**
Wu

(10) **Patent No.:** **US D955,364 S**
(45) **Date of Patent:** **** Jun. 21, 2022**

- (54) **BONE CONDUCTION HEADSET**
- (71) Applicant: **Xiamen Mairdi Electronic Technology Co., Ltd., Xiamen (CN)**
- (72) Inventor: **Jiahan Wu, Xiamen (CN)**
- (73) Assignee: **Xiamen Mairdi Electronic Technology Co., Ltd., Xiamen (CN)**
- (**) Term: **15 Years**
- (21) Appl. No.: **29/788,790**
- (22) Filed: **Jul. 27, 2021**
- (51) **LOC (13) Cl.** **14-01**
- (52) **U.S. Cl.**
USPC **D14/205**
- (58) **Field of Classification Search**
USPC D14/205, 188, 192; D24/174;
128/864–866; 381/380–381, 151, 74
CPC ... H04R 1/10; H04R 9/06; H04R 1/06; H04R
1/1075; H04R 1/46; H04R 25/00; H04R
25/02; H04R 1/1033; H04R 1/1016;
H04R 1/1066; H04R 5/033; H04R
5/0335; H04R 1/02; H04R 1/105; H04R
1/1058; H04R 1/1091; H04R 1/041
See application file for complete search history.

6,603,863	B1 *	8/2003	Nagayoshi	H04R 1/1066
				D14/206
D502,463	S *	3/2005	Bhakta	D14/205
D550,202	S *	9/2007	Meier	D14/206
D557,685	S *	12/2007	Lee	D14/205
D575,268	S *	8/2008	Christopher	D14/205
D579,442	S *	10/2008	Kim	D14/205
D604,269	S	11/2009	Choe	
D617,308	S *	6/2010	Nousiainen	D14/205
D623,627	S *	9/2010	Alden	D14/205
D645,444	S *	9/2011	Quek	D14/205
D653,234	S *	1/2012	Lee	D14/205
D669,881	S *	10/2012	Clements	D14/205
D673,523	S	1/2013	Brennwald	
D678,858	S *	3/2013	Feng	D14/205
8,411,893	B2 *	4/2013	Ito	H04R 1/105
				381/381

(Continued)

FOREIGN PATENT DOCUMENTS

EM	004156354-0001	*	8/2017
EM	008543391-0001	*	5/2021

(Continued)

Primary Examiner — Paula Allen Greene
(74) *Attorney, Agent, or Firm* — Georgi Korobanov

(57) **CLAIM**

The ornamental design for a bone conduction headset, as shown and described.

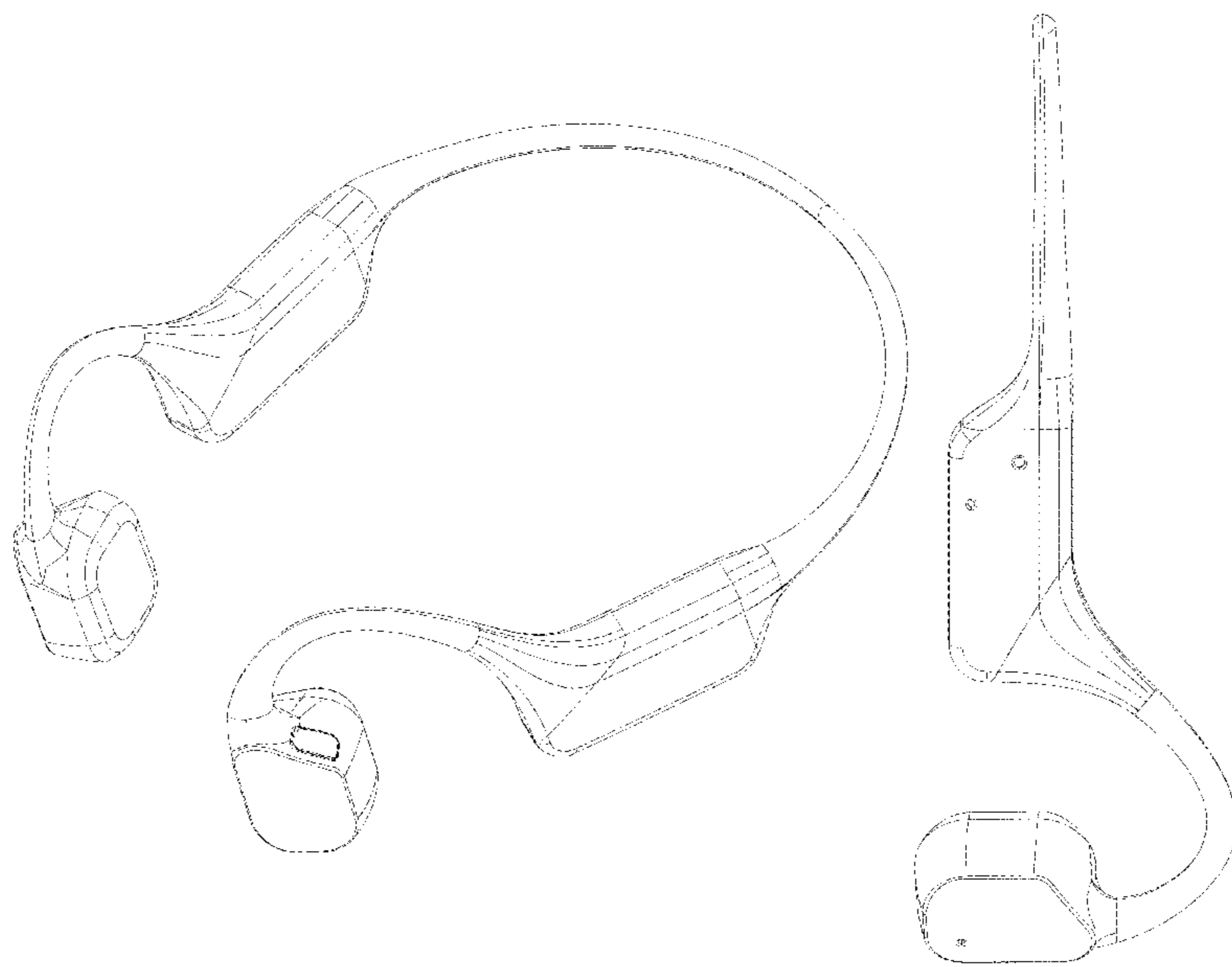
DESCRIPTION

FIG. 1 is a perspective view of a bone conduction headset, showing my new design;
FIG. 2 is a front view thereof;
FIG. 3 is a back view thereof;
FIG. 4 is a left side view thereof;
FIG. 5 is a right side view thereof;
FIG. 6 is a top plan view thereof; and,
FIG. 7 is a bottom plan view thereof.

1 Claim, 7 Drawing Sheets

(56) **References Cited**
U.S. PATENT DOCUMENTS

D315,561	S *	3/1991	Miller	D14/205
D318,669	S *	7/1991	Nakayama	D14/205
D337,587	S *	7/1993	Nakayama	D14/205
D368,716	S *	4/1996	Shudo	D14/205
D371,558	S *	7/1996	Yoshizawa	D14/205
D421,014	S *	2/2000	Smith	D14/205
D426,880	S *	6/2000	Leight	D24/106
D460,752	S *	7/2002	Gerdom	D14/223
D471,176	S *	3/2003	Suzuki	D14/205



(56)

References Cited

U.S. PATENT DOCUMENTS

8,433,082 B2 * 4/2013 Abolfathi H04R 1/46
 381/151
 D706,745 S * 6/2014 Nakagawa H04R 1/1066
 D14/205
 D707,199 S * 6/2014 Ceyress H04R 1/10
 D14/205
 D716,759 S * 11/2014 Ha D14/205
 D717,765 S * 11/2014 Rausch D14/205
 D721,673 S * 1/2015 Park D14/205
 D722,999 S * 2/2015 Ishikura D14/205
 D740,785 S * 10/2015 Chen D14/205
 D756,958 S * 5/2016 Lee D14/205
 D756,959 S * 5/2016 Lee D14/205
 D763,821 S * 8/2016 Leopardi D14/205
 D766,869 S * 9/2016 Lee D14/205
 D771,587 S * 11/2016 Iwane D14/205
 D790,501 S * 6/2017 Wang D14/205
 D790,502 S * 6/2017 Qi D14/205
 D791,100 S * 7/2017 Chen D14/205
 9,788,097 B2 * 10/2017 Bullen G06F 3/162
 D823,279 S * 7/2018 Chen D14/205
 D829,190 S * 9/2018 Bullen D14/205
 D847,779 S * 5/2019 Williamson D14/205
 D851,060 S * 6/2019 Lu D14/205
 D851,623 S * 6/2019 Zhang D14/205
 D875,710 S * 2/2020 Bailey D14/205

D895,571 S * 9/2020 Li D14/205
 D906,281 S * 12/2020 Zhang D14/205
 D907,002 S * 1/2021 Zhang D14/205
 D912,644 S * 3/2021 Liu D14/205
 D915,345 S * 4/2021 Zhang D14/205
 D919,592 S * 5/2021 Trought D14/205
 2011/0170702 A1 * 7/2011 Bays H04R 5/0335
 381/74
 2014/0119555 A1 * 5/2014 Lu H04R 25/554
 381/74
 2014/0185837 A1 * 7/2014 Kunimoto H04R 1/1075
 381/151
 2015/0146880 A1 * 5/2015 Boni H04R 1/1008
 381/74
 2019/0029529 A1 * 1/2019 Haartsen A61B 5/721
 2019/0075389 A1 * 3/2019 Jan A42B 3/306
 2021/0014595 A1 * 1/2021 Li H04R 1/1058
 2021/0014602 A1 * 1/2021 Li H04R 1/28
 2021/0067862 A1 * 3/2021 Li H04R 1/06
 2021/0076123 A1 * 3/2021 Zhang H04R 1/1066

FOREIGN PATENT DOCUMENTS

EM 008628051-0001 * 7/2021
 EM 008780431-0001 * 11/2021
 EM 008814800-0001 * 12/2021
 JP D1663637 * 6/2020
 JP D1695516 * 9/2021

* cited by examiner

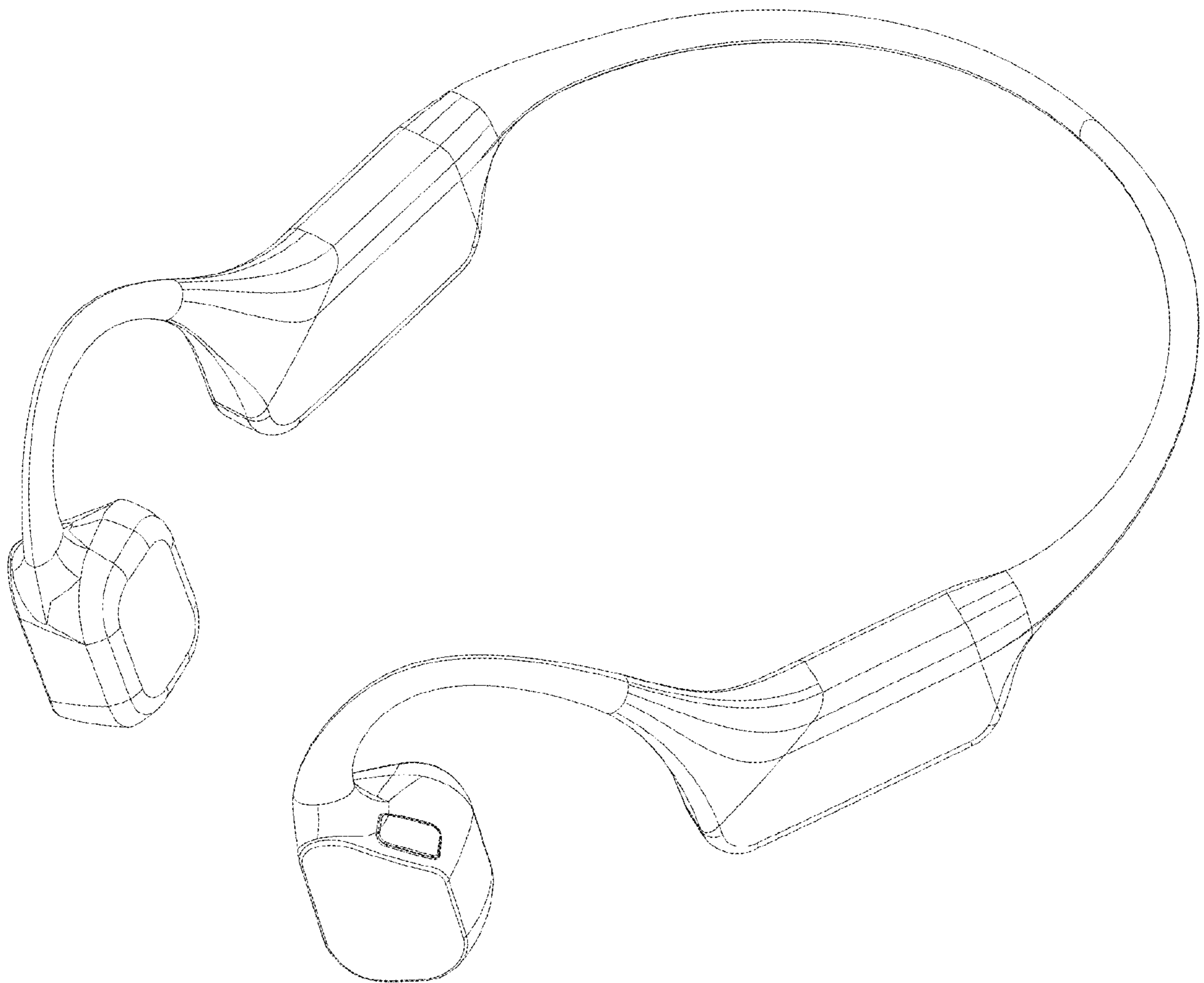


FIG. 1



FIG. 2



FIG. 3

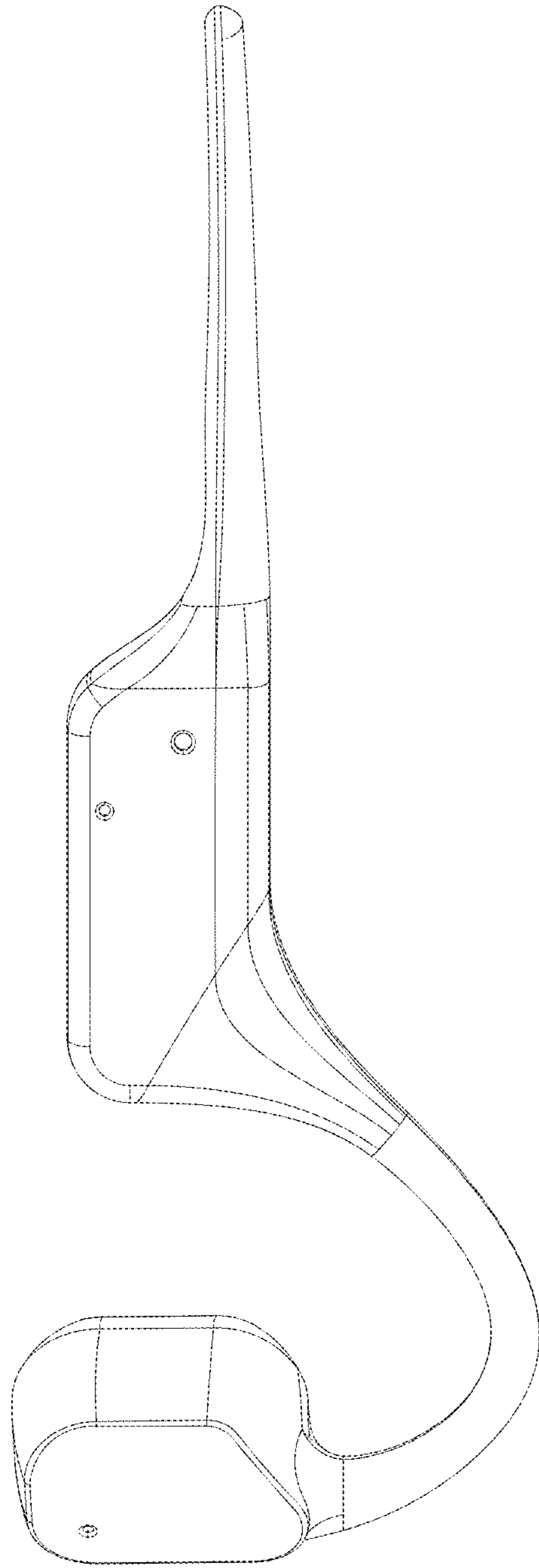


FIG. 4

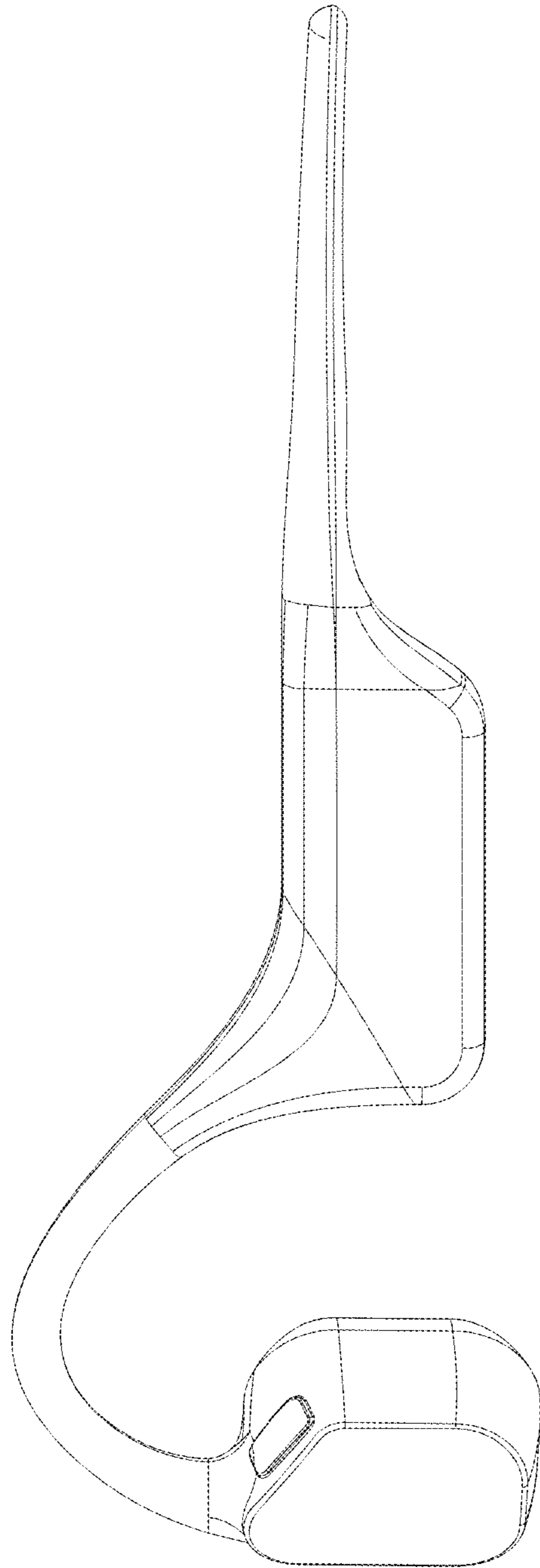


FIG. 5

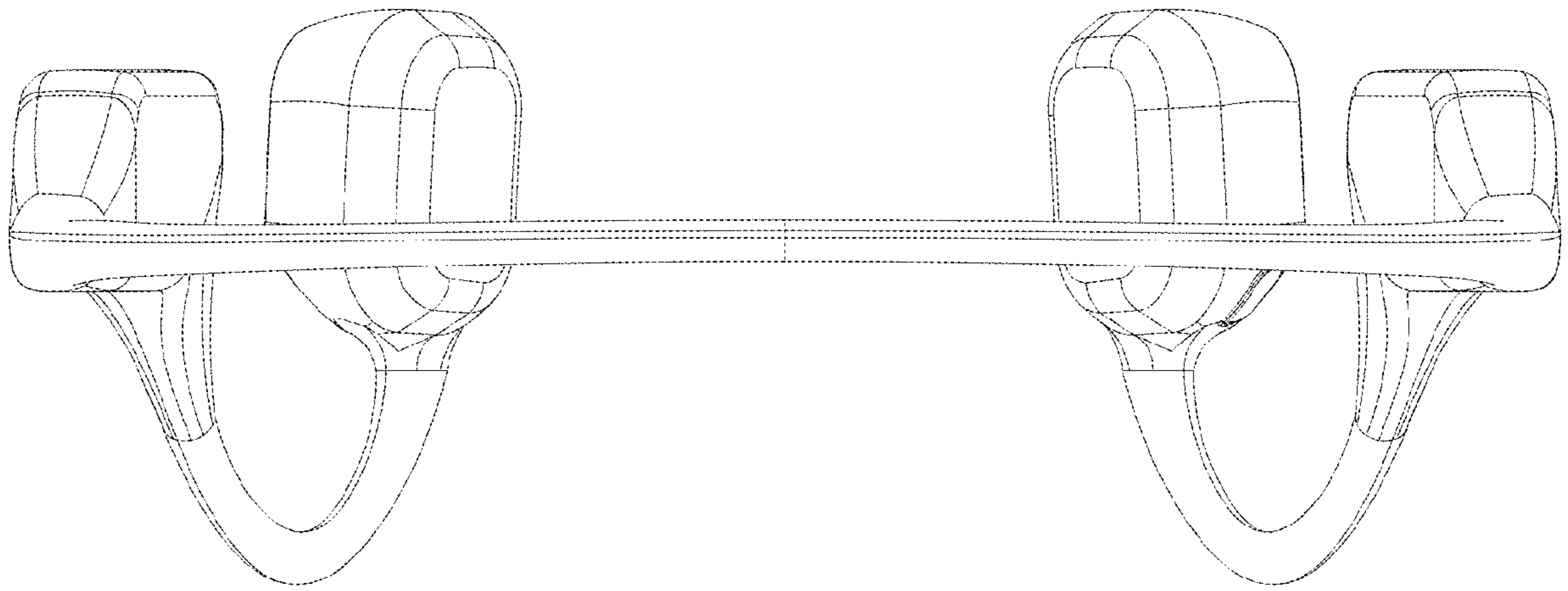


FIG. 6

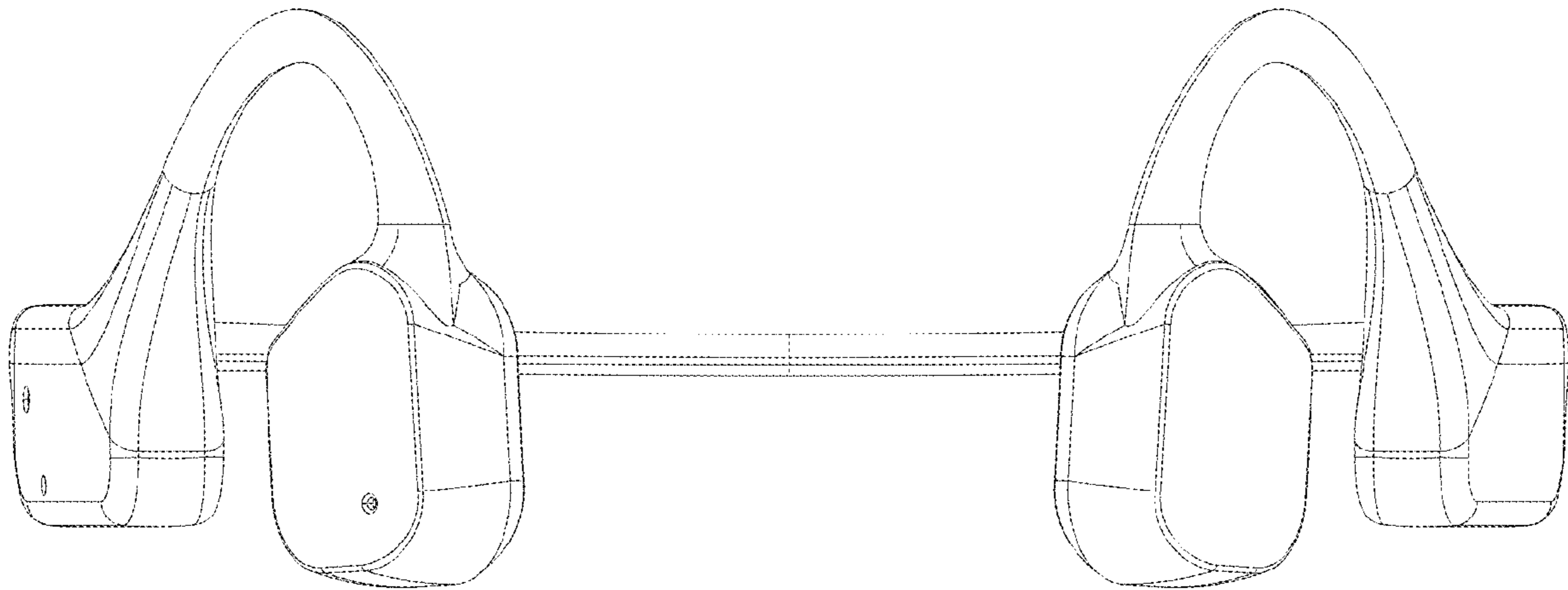


FIG. 7