



US00D955362S

(12) **United States Design Patent**
Kim et al.

(10) **Patent No.:** **US D955,362 S**

(45) **Date of Patent:** **** Jun. 21, 2022**

(54) **SOUND BAR**

(74) *Attorney, Agent, or Firm* — NSIP Law

(71) Applicant: **Samsung Electronics Co., Ltd.**,
Suwon-si (KR)

(57) **CLAIM**

We claim the ornamental design for a sound bar, as shown and described.

(72) Inventors: **Jun-Pyo Kim**, Suwon-si (KR); **Sung-II Bang**, Suwon-si (KR); **Byung Wook Kang**, Suwon-si (KR)

DESCRIPTION

(73) Assignee: **Samsung Electronics Co., Ltd.**,
Suwon-si (KR)

FIG. 1 is a front perspective view of a sound bar showing our new design;

(**) Term: **15 Years**

FIG. 2 is a front view thereof;

(21) Appl. No.: **29/723,352**

FIG. 3 is a rear view thereof;

(22) Filed: **Feb. 6, 2020**

FIG. 4 is a left-side view thereof;

(30) **Foreign Application Priority Data**

FIG. 5 is a right-side view thereof;

Aug. 23, 2019 (KR) 30-2019-0040378

FIG. 6 is a top view thereof;

(51) **LOC (13) Cl.** **14-01**

FIG. 7 is a bottom view thereof;

(52) **U.S. Cl.**

FIG. 8 is a bottom perspective view thereof;

USPC **D14/204**

FIG. 9 is a partially enlarged view thereof, taken from FIG. 1;

(58) **Field of Classification Search**

USPC D14/170–172, 188, 203.1, 203.3, 204,
D14/348, 203.6, 214, 216

1;

FIG. 10 is a partially enlarged view thereof, taken from FIG. 1;

(Continued)

1;

FIG. 11 is a partially enlarged view thereof, taken from FIG. 1;

(56) **References Cited**

U.S. PATENT DOCUMENTS

5,610,876 A * 3/1997 Jeffers A01K 61/60

367/139

D500,025 S * 12/2004 Vincenot D14/204

(Continued)

3;

FIG. 12 is a partially enlarged view thereof taken from FIG. 3;

6;

FIG. 13 is a partially enlarged view thereof taken from FIG. 6;

7;

FIG. 14 is a partially enlarged view thereof taken from FIG. 7;

7;

FIG. 15 is a partially enlarged view thereof taken from FIG. 7;

8;

FIG. 16 is a partially enlarged view thereof taken from FIG. 8; and,

8.

FIG. 17 is a partially enlarged view thereof taken from FIG. 8.

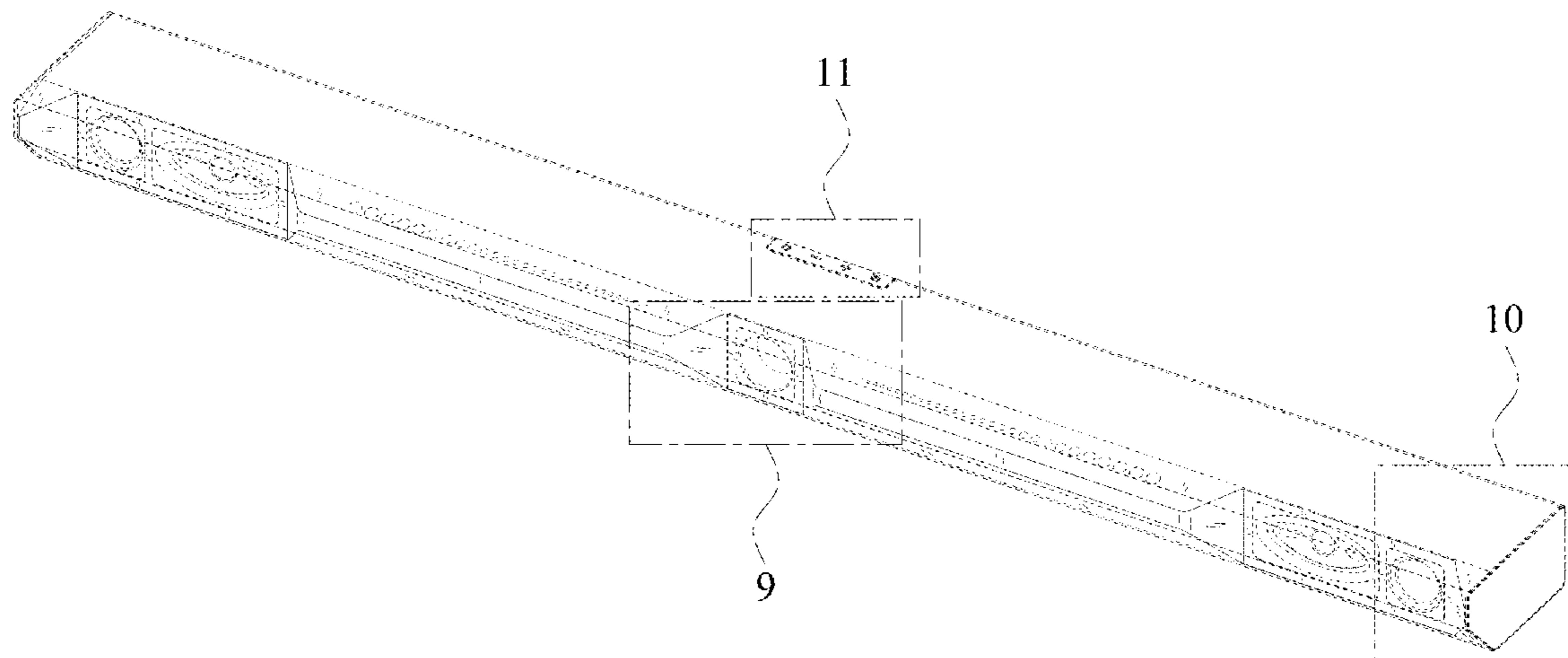
8.

The evenly-dashed broken lines in the figures depict portions of the sound bar which form no part of the claimed design.

The dot-dash broken lines of FIGS. 1, 3 and 6-17 are included to show partially enlarged views only and form no part of the claimed design.

(Continued)

Primary Examiner — Janice Patyk



The straight broken lines extending across the front surface of the sound bar define the outer edges of a transparent surface that forms no part of the claimed design.

1 Claim, 17 Drawing Sheets

(58) **Field of Classification Search**

CPC . H04R 1/02; H04R 1/023; H04R 5/00; H04R
7/00; H04R 7/02; H04R 9/06; H04R
2400/00

See application file for complete search history.

(56) **References Cited**

U.S. PATENT DOCUMENTS

D568,872	S	*	5/2008	Gonzalez	D14/214
D654,906	S	*	2/2012	Warden	D14/214
D655,272	S	*	3/2012	Kawase	D14/194
D688,231	S		8/2013	Nishii		
D692,863	S	*	11/2013	Givre	D14/214
D736,179	S	*	8/2015	Speck	D14/210
D752,015	S	*	3/2016	Spillmann	D14/204
D760,685	S		7/2016	Sugiura		
2017/0215406	A1	*	8/2017	Dambra	E04D 13/004

* cited by examiner

FIG. 1

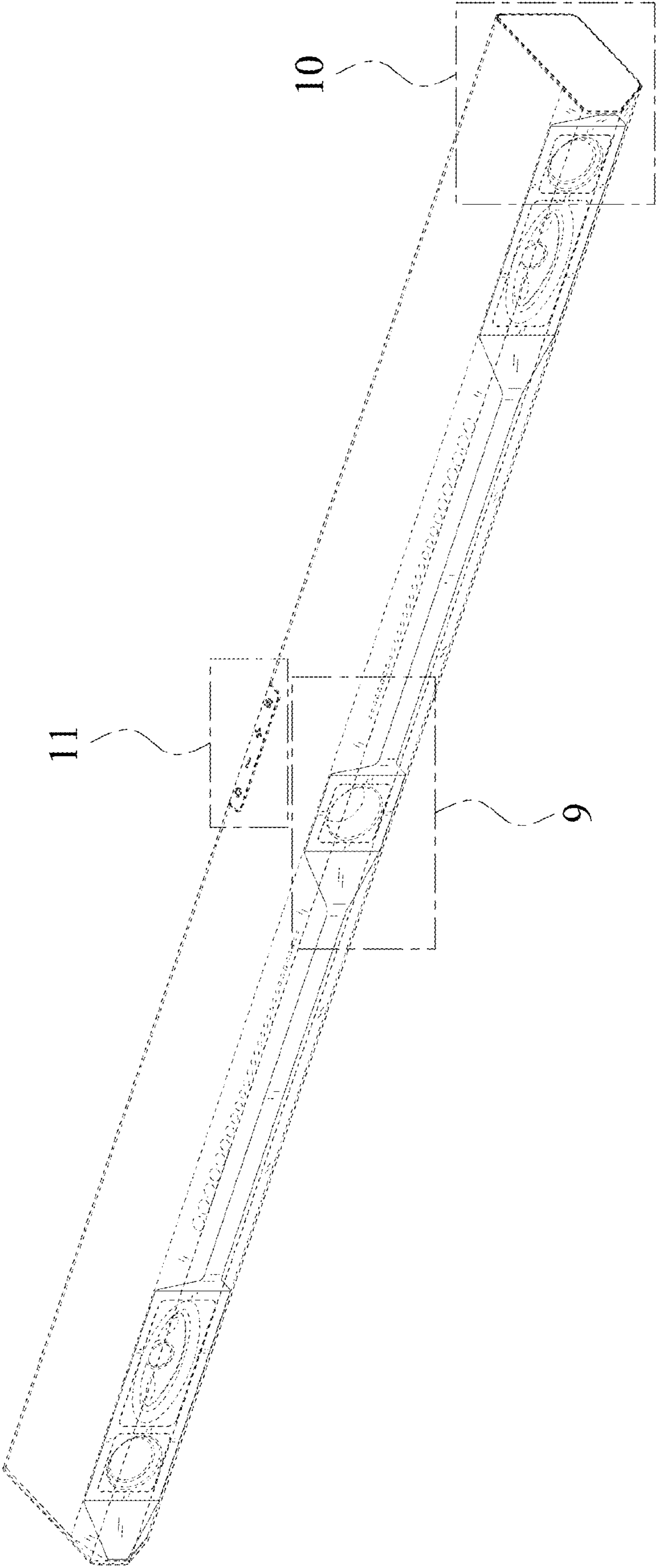


FIG. 2

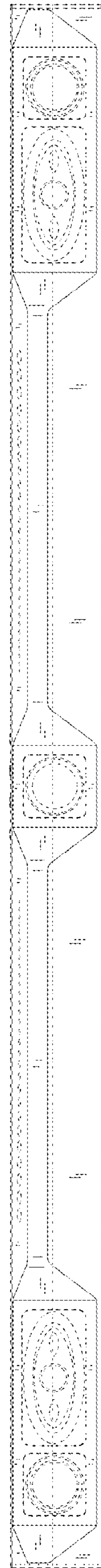


FIG. 3

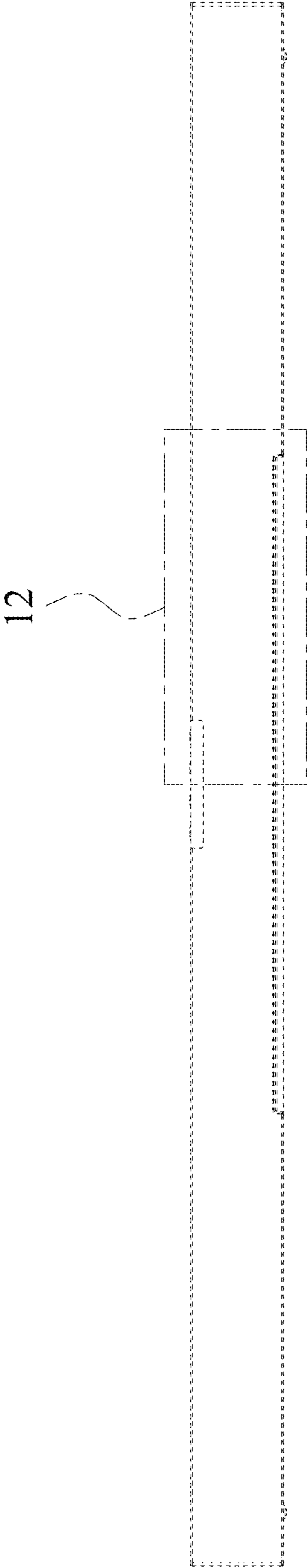


FIG. 4

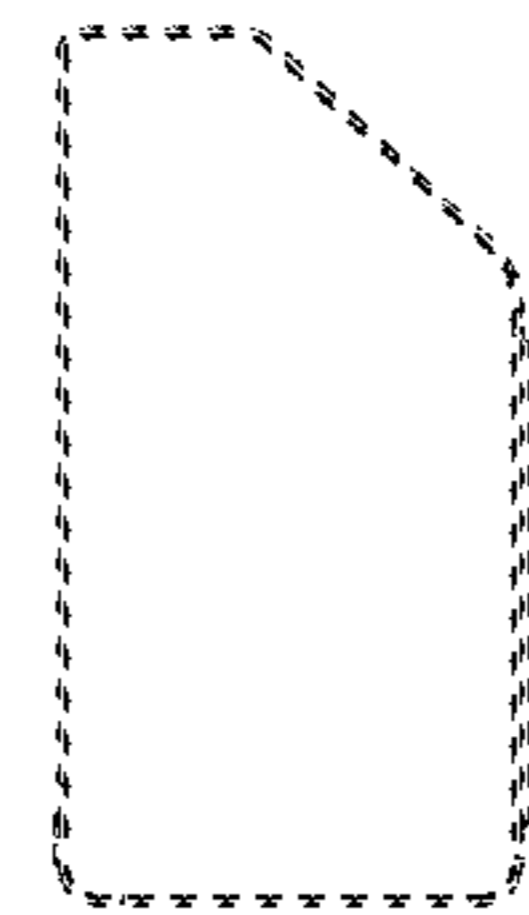


FIG. 5

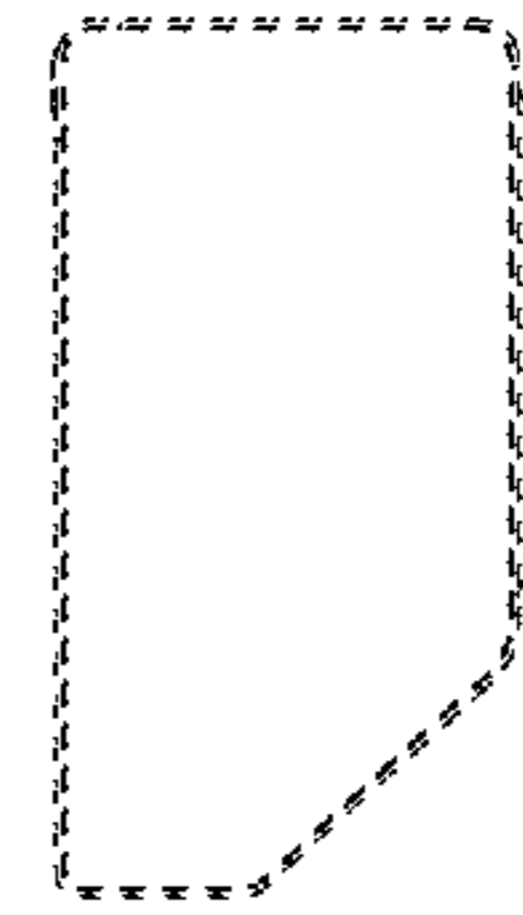


FIG. 6

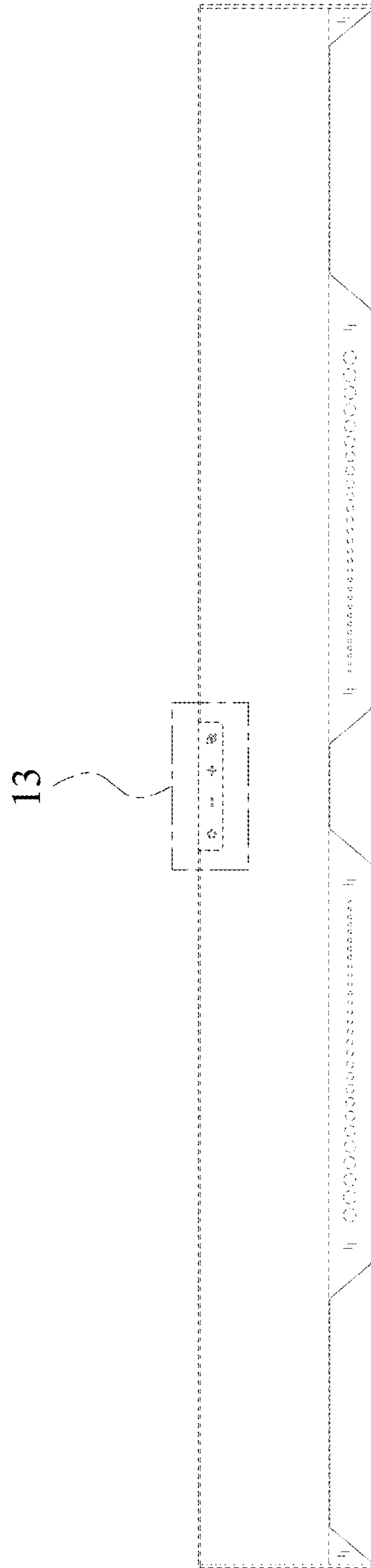


FIG. 7

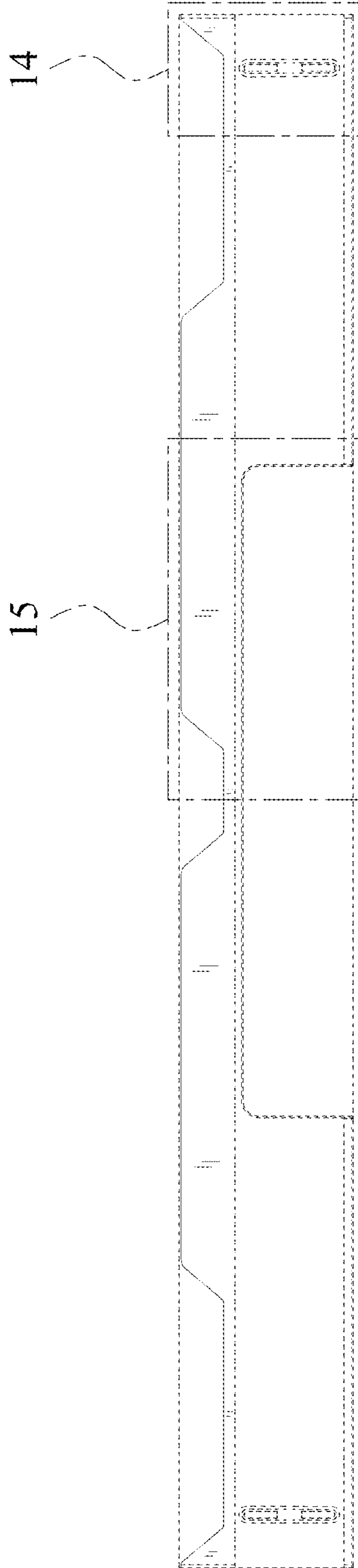


FIG. 8

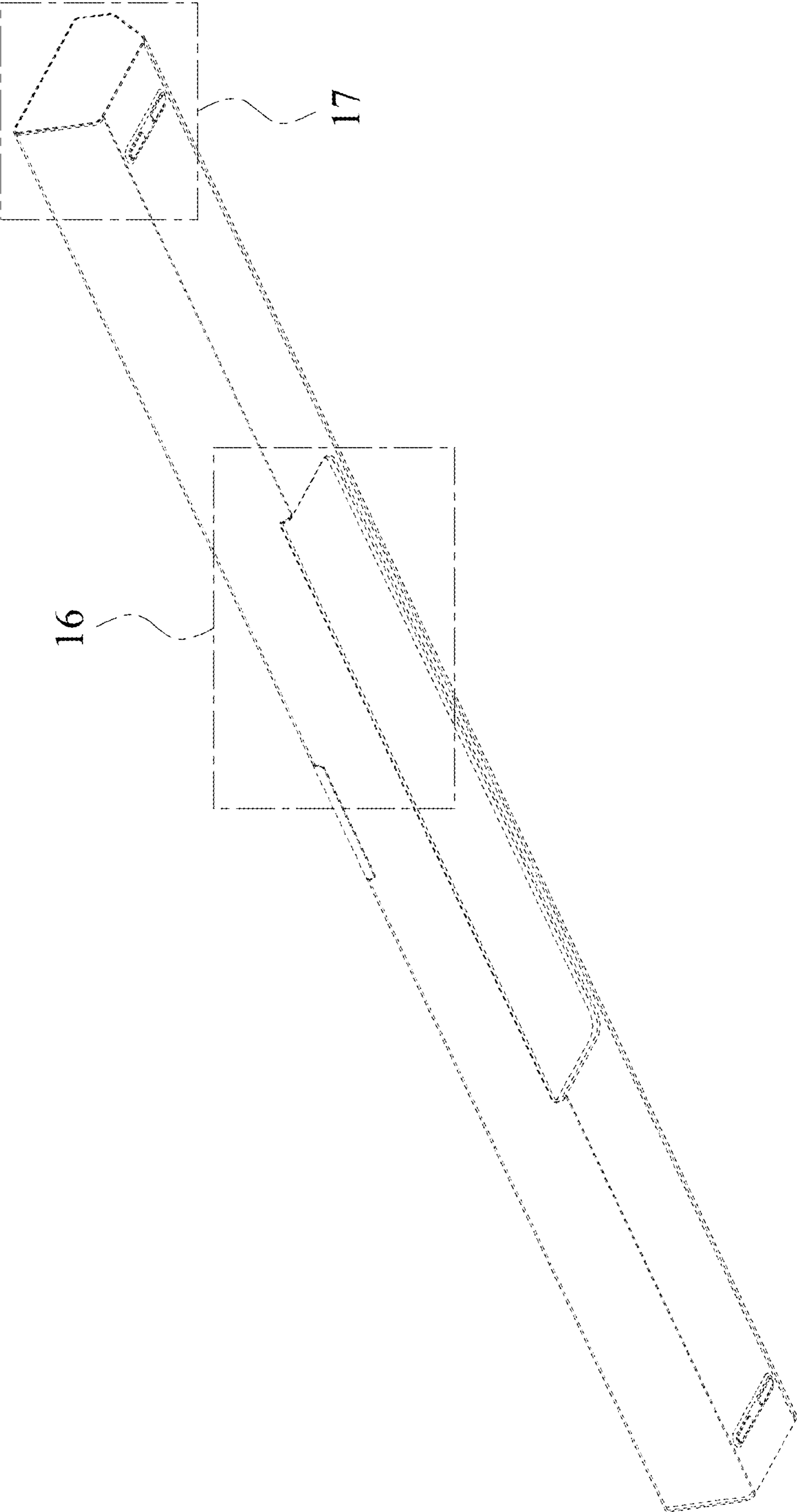


FIG. 9

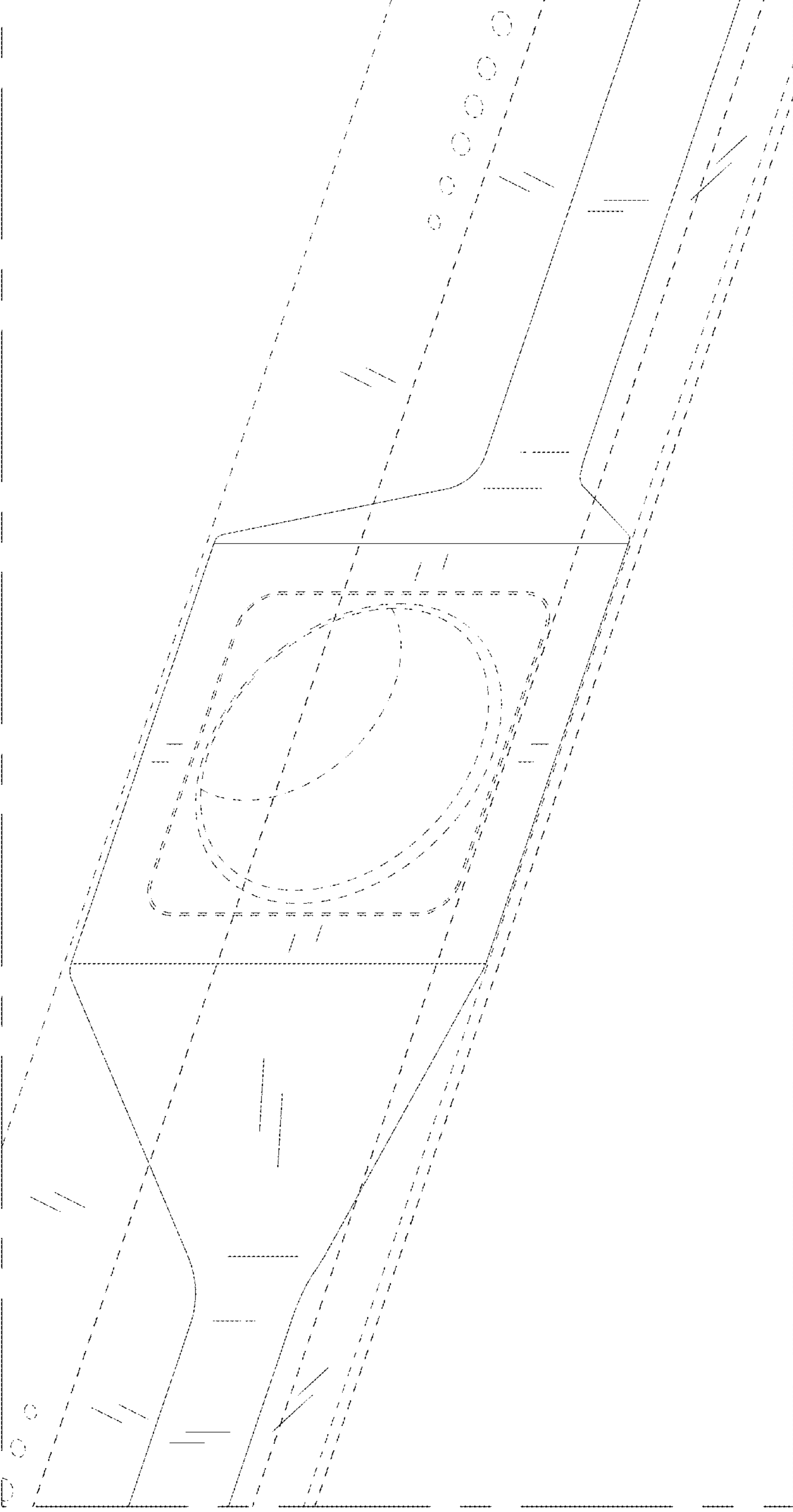


FIG. 10

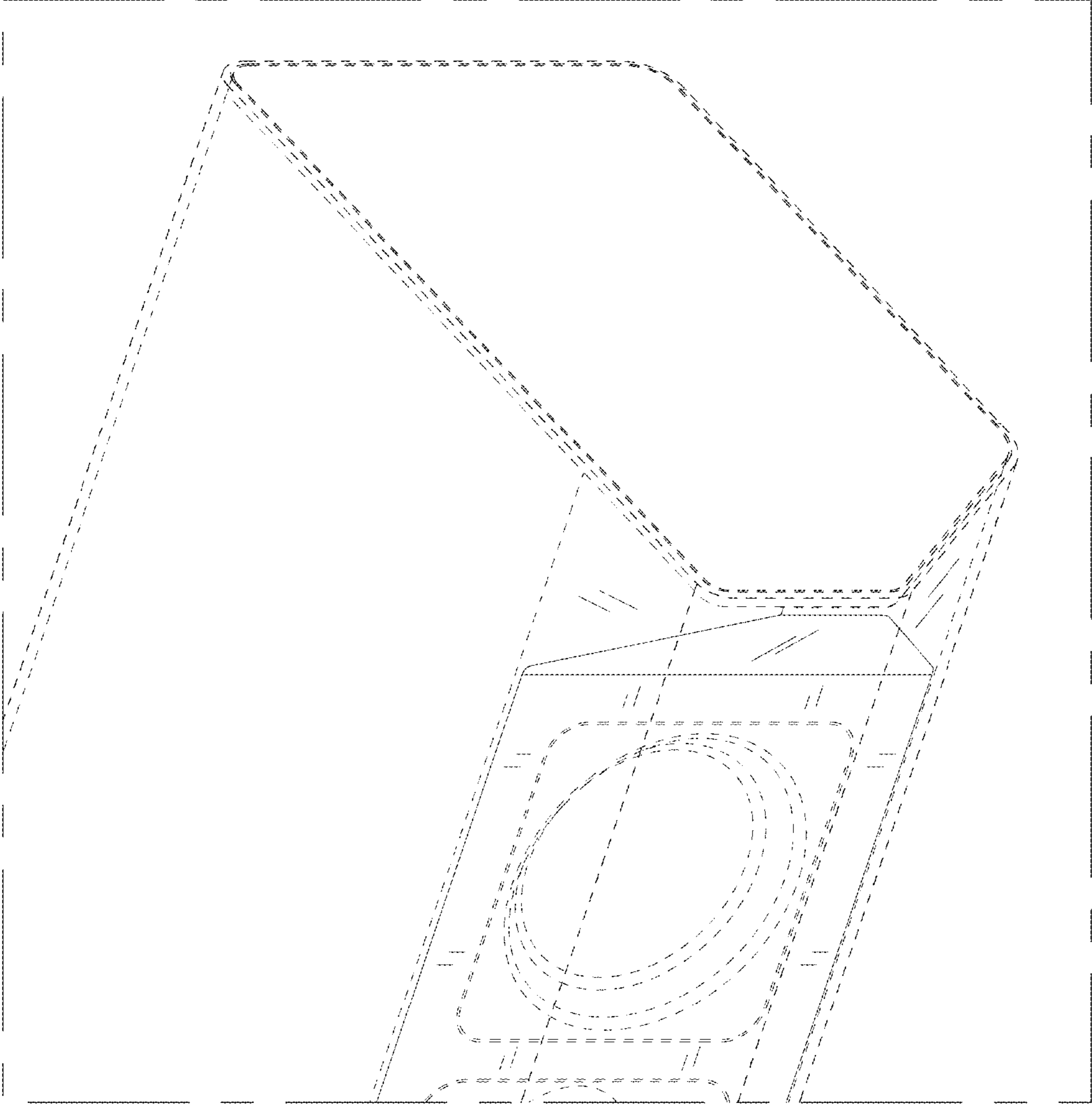


FIG. 11

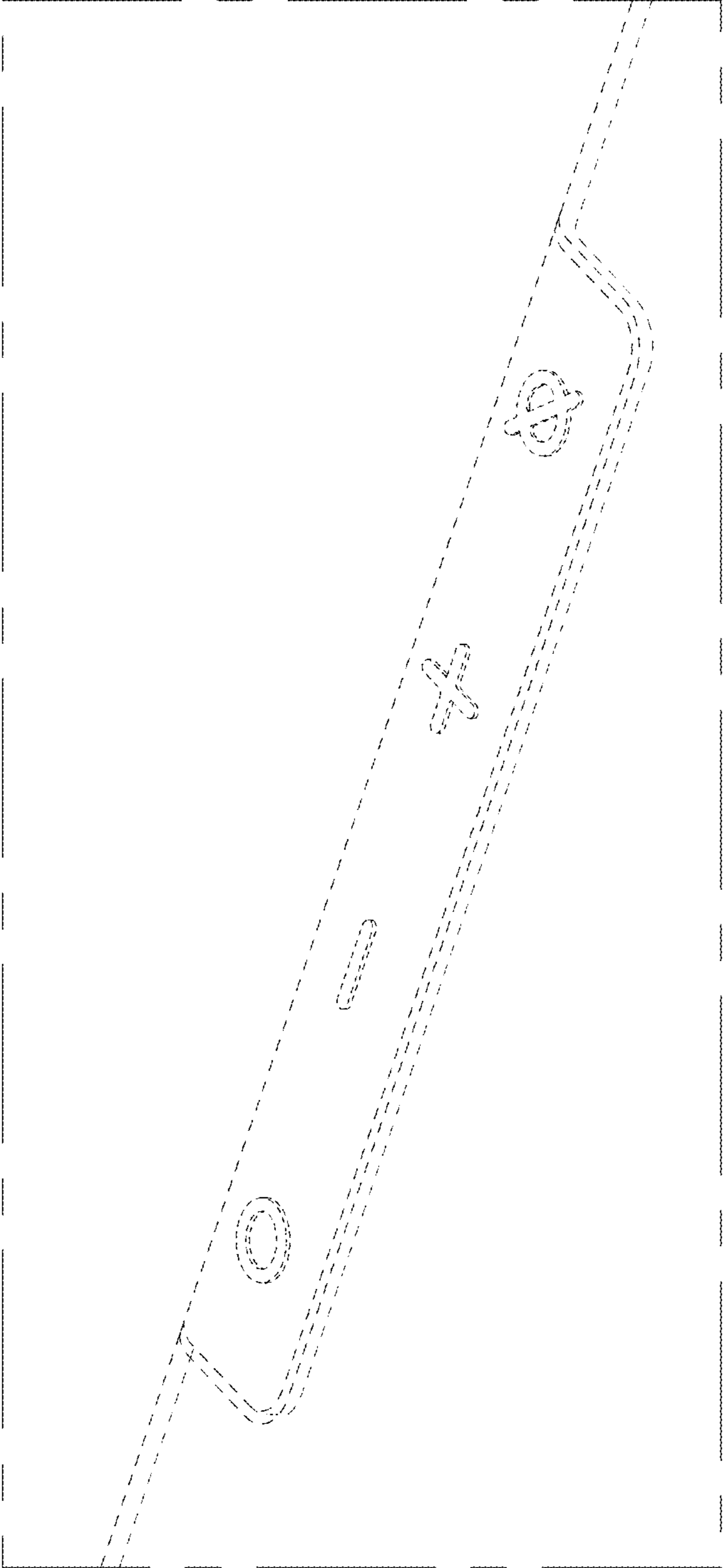


FIG. 12

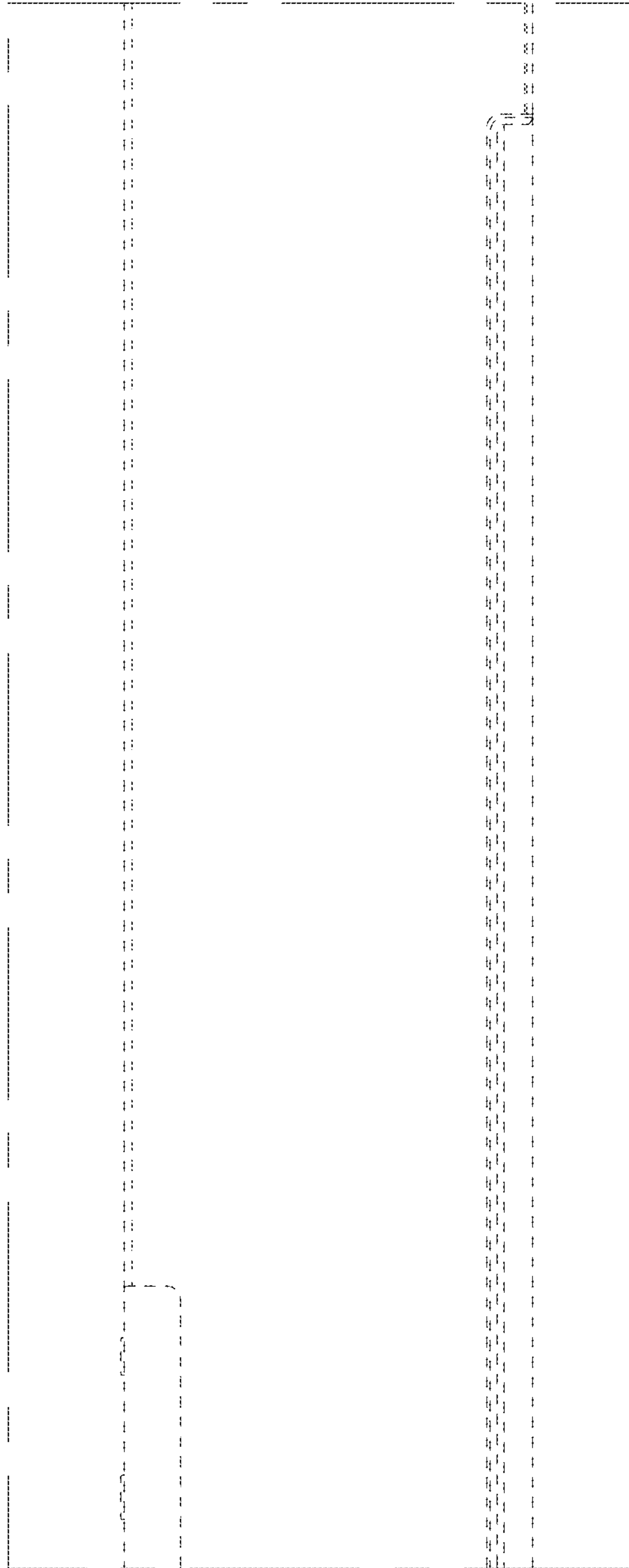


FIG. 13

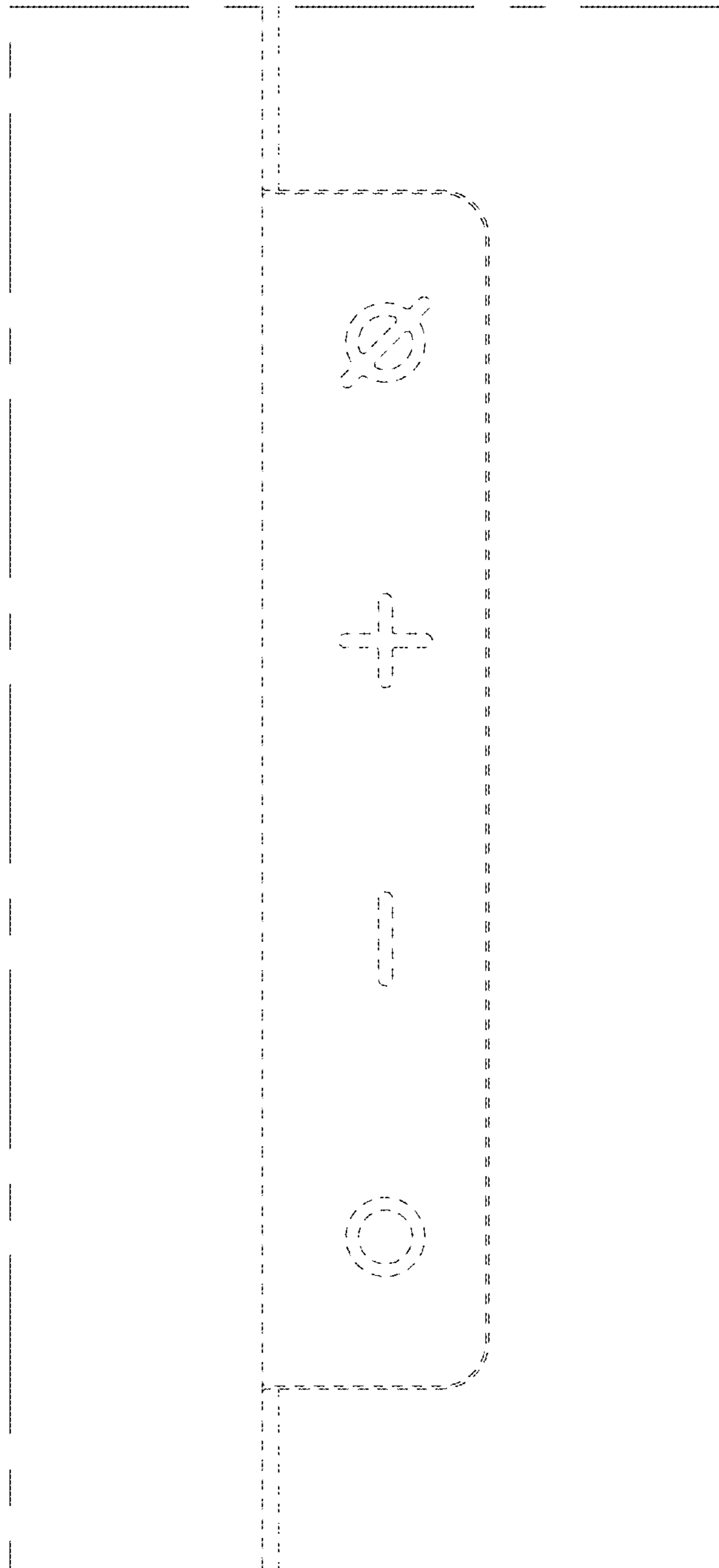


FIG. 14

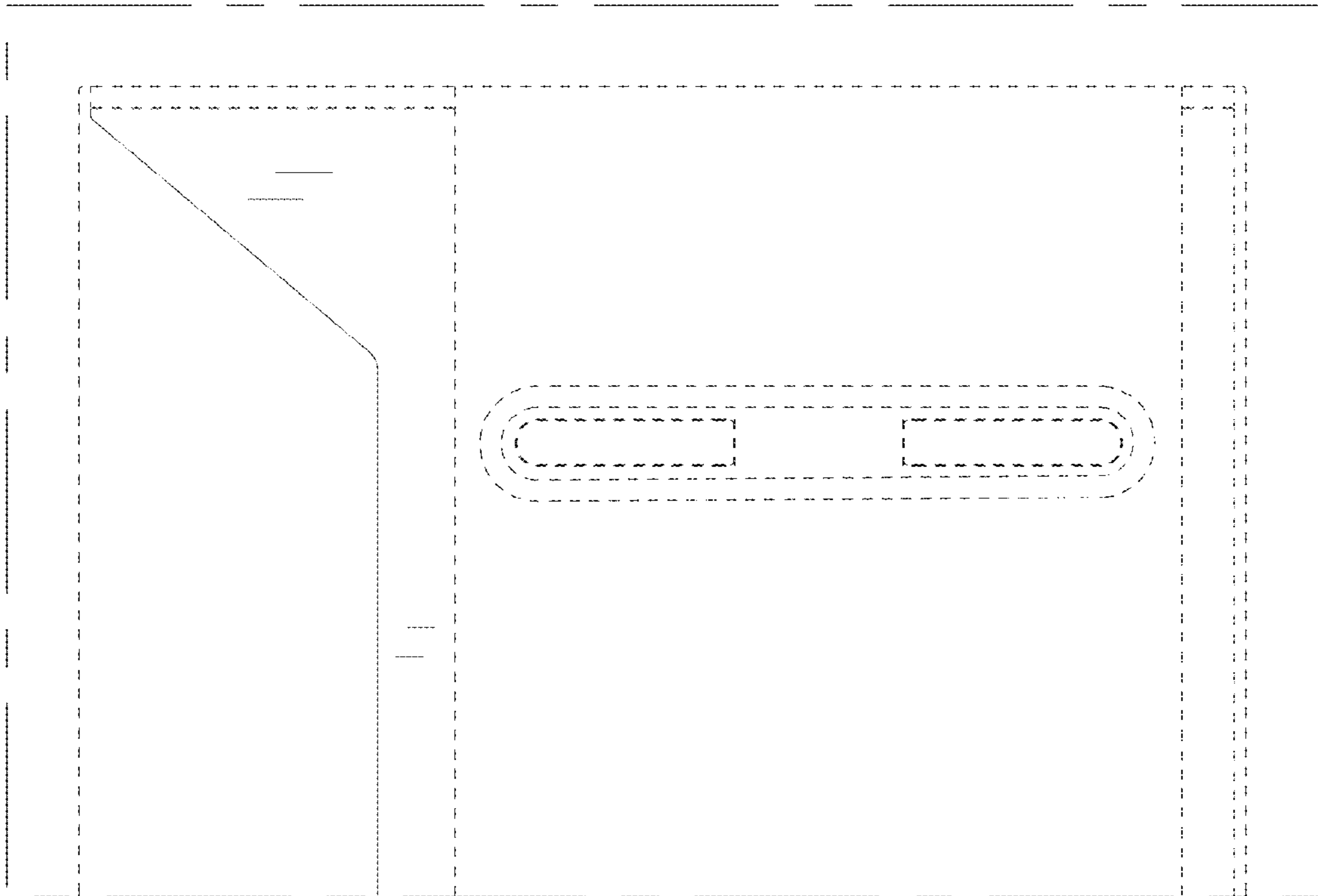


FIG. 15

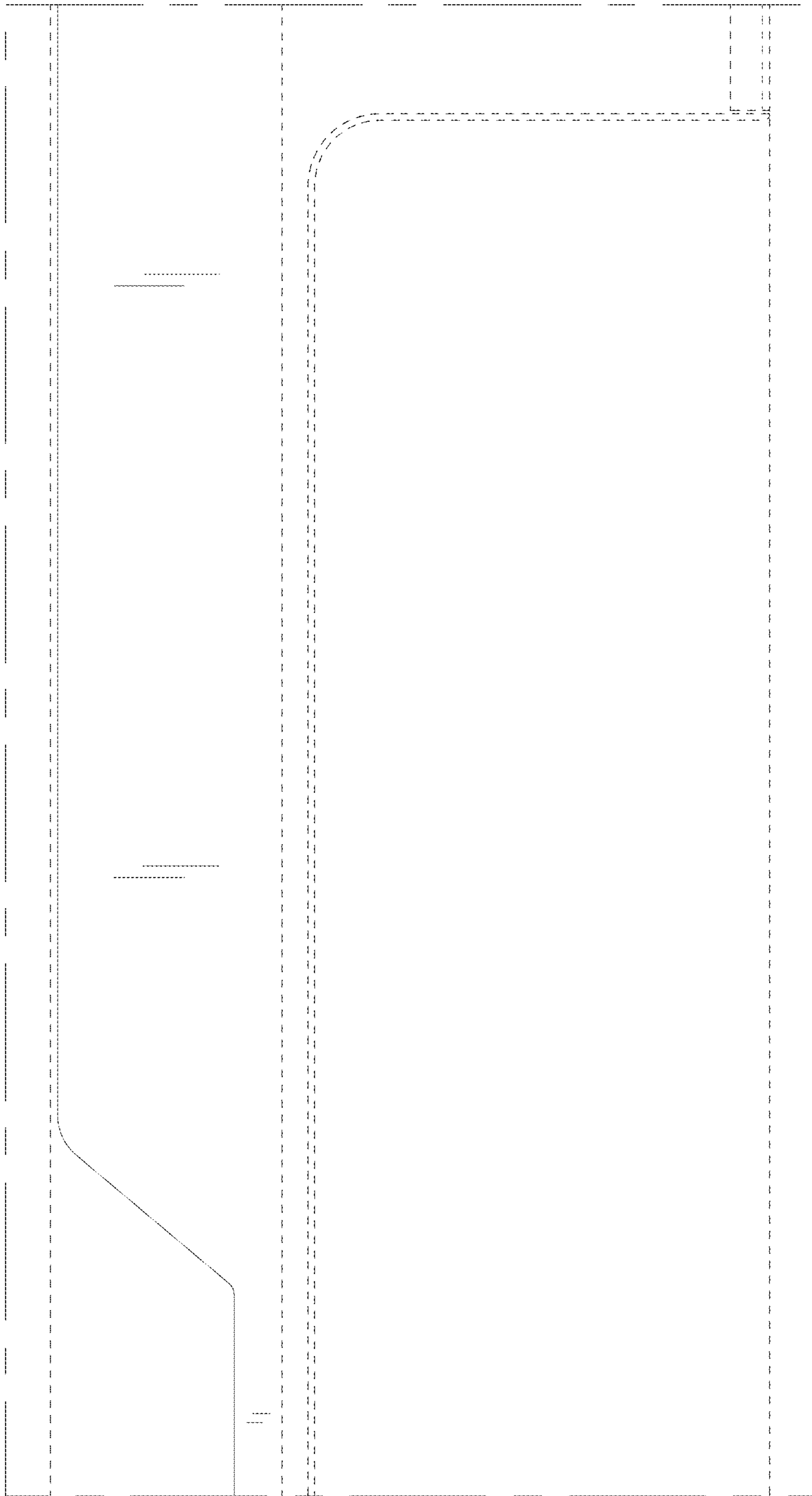


FIG. 16

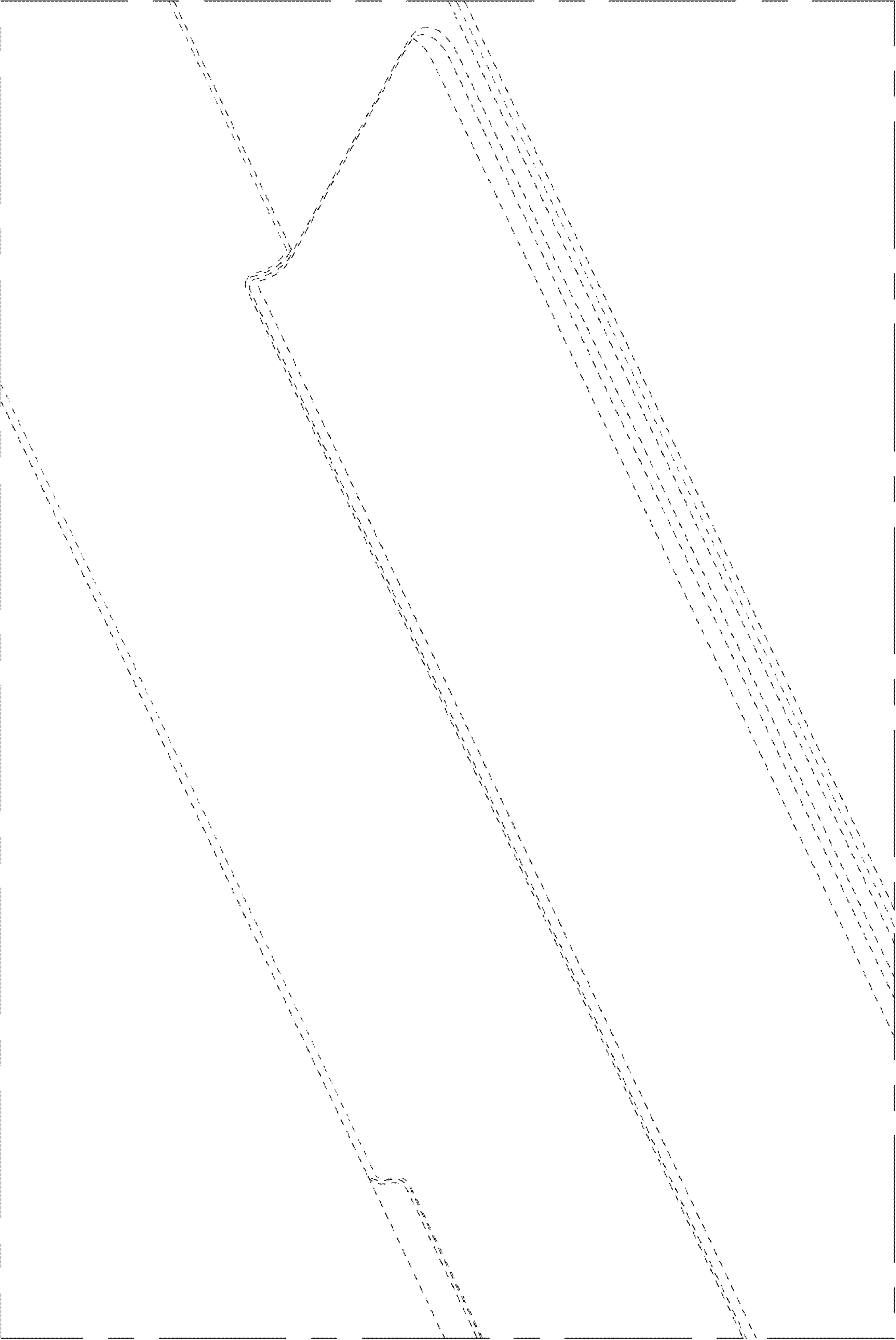


FIG. 17

