



US00D955361S

(12) **United States Design Patent**  
**Kim et al.**

(10) **Patent No.:** **US D955,361 S**  
(45) **Date of Patent:** **\*\* Jun. 21, 2022**

(54) **SOUND BAR**

(74) *Attorney, Agent, or Firm* — NSIP Law

(71) Applicant: **Samsung Electronics Co., Ltd.**,  
Suwon-si (KR)

(57) **CLAIM**

We claim the ornamental design for a sound bar, as shown and described.

(72) Inventors: **Jun-Pyo Kim**, Suwon-si (KR); **Sung-II Bang**, Suwon-si (KR); **Byung Wook Kang**, Suwon-si (KR)

**DESCRIPTION**

(73) Assignee: **Samsung Electronics Co., Ltd.**,  
Suwon-si (KR)

FIG. 1 is a front perspective view of a sound bar showing our new design;

(\*\*) Term: **15 Years**

FIG. 2 is a front view thereof;

(21) Appl. No.: **29/723,227**

FIG. 3 is a rear view thereof;

(22) Filed: **Feb. 5, 2020**

FIG. 4 is a left-side view thereof;

(30) **Foreign Application Priority Data**

FIG. 5 is a right-side view thereof;

Sep. 2, 2019 (KR) ..... 30-2019-0042218

FIG. 6 is a top view thereof;

(51) **LOC (13) Cl.** ..... **14-01**

FIG. 7 is a bottom view thereof;

(52) **U.S. Cl.** ..... **D14/204**

FIG. 8 is a bottom rear perspective view thereof;

(58) **Field of Classification Search**

USPC ..... D14/170–172, 188, 203.1, 203.3, 204,  
D14/348, 203.6, 214, 216

FIG. 9 is a partially enlarged view thereof from FIG. 1;

(Continued)

FIG. 10 is a partially enlarged view thereof from FIG. 1;

(56) **References Cited**

**U.S. PATENT DOCUMENTS**

D538,260 S \* 3/2007 Wada ..... D14/188

D589,519 S \* 3/2009 Smith ..... D14/461

(Continued)

FIG. 11 is a partially enlarged view thereof, taken from FIG. 3;

FIG. 12 is a partially enlarged view thereof taken from FIG. 6;

FIG. 13 is a partially enlarged view thereof taken from FIG. 7;

FIG. 14 is a partially enlarged view thereof taken from FIG. 7;

FIG. 15 is a partially enlarged view thereof taken from FIG. 8;

FIG. 16 is a partially enlarged view thereof taken from FIG. 8.

The evenly-dashed broken lines in the figures depict portions of the sound bar which form no part of the claimed design.

The dot-dash broken lines in FIGS. 1, 3 and 6-16 are included to show partially enlarged views only and form no part of the claimed design.

The broken lines along the edges of the rear and bottom surfaces of the sound bar of FIGS. 3, 7, 8, 11, and 13-16 are included to show unclaimed seam lines of the article.

**FOREIGN PATENT DOCUMENTS**

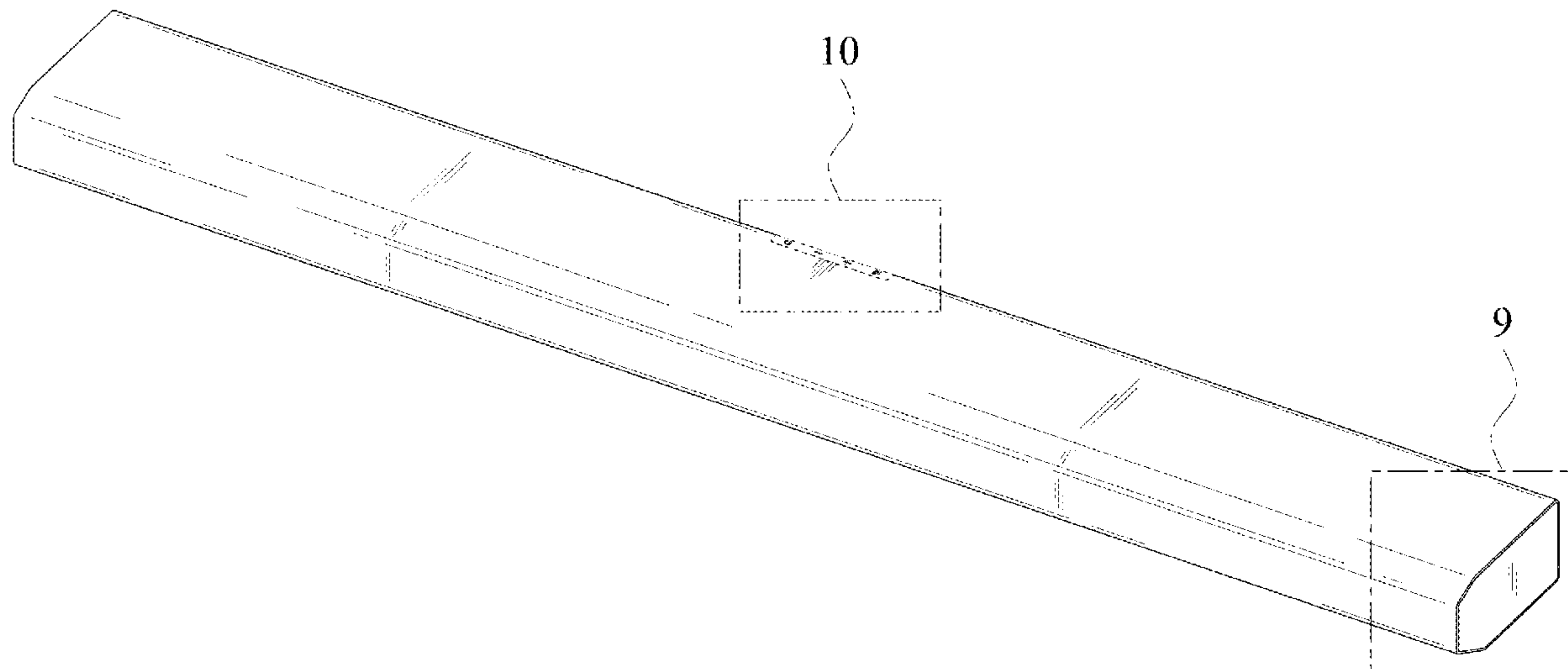
EM 001397657-0002 3/2016

EM 001397657-0003 3/2016

KR 30-2014-0063824 8/2015

*Primary Examiner* — Janice Patyk

**1 Claim, 16 Drawing Sheets**



(58) **Field of Classification Search**

CPC . H04R 1/02; H04R 1/023; H04R 5/00; H04R  
7/00; H04R 7/02; H04R 9/06; H04R  
2400/00

See application file for complete search history.

(56) **References Cited**

U.S. PATENT DOCUMENTS

D688,231 S	8/2013	Nishii	
D726,153 S *	4/2015	Chang .....	D14/215
D738,853 S *	9/2015	Savage .....	D14/214
D754,629 S *	4/2016	Kim .....	D14/204
D760,685 S	7/2016	Sugiura	
D800,693 S *	10/2017	Sugiura .....	D14/214
D842,273 S *	3/2019	Kiong .....	D14/214
D861,642 S *	10/2019	Werle .....	D14/214
D894,155 S *	8/2020	Gu .....	D14/214

\* cited by examiner

FIG. 1

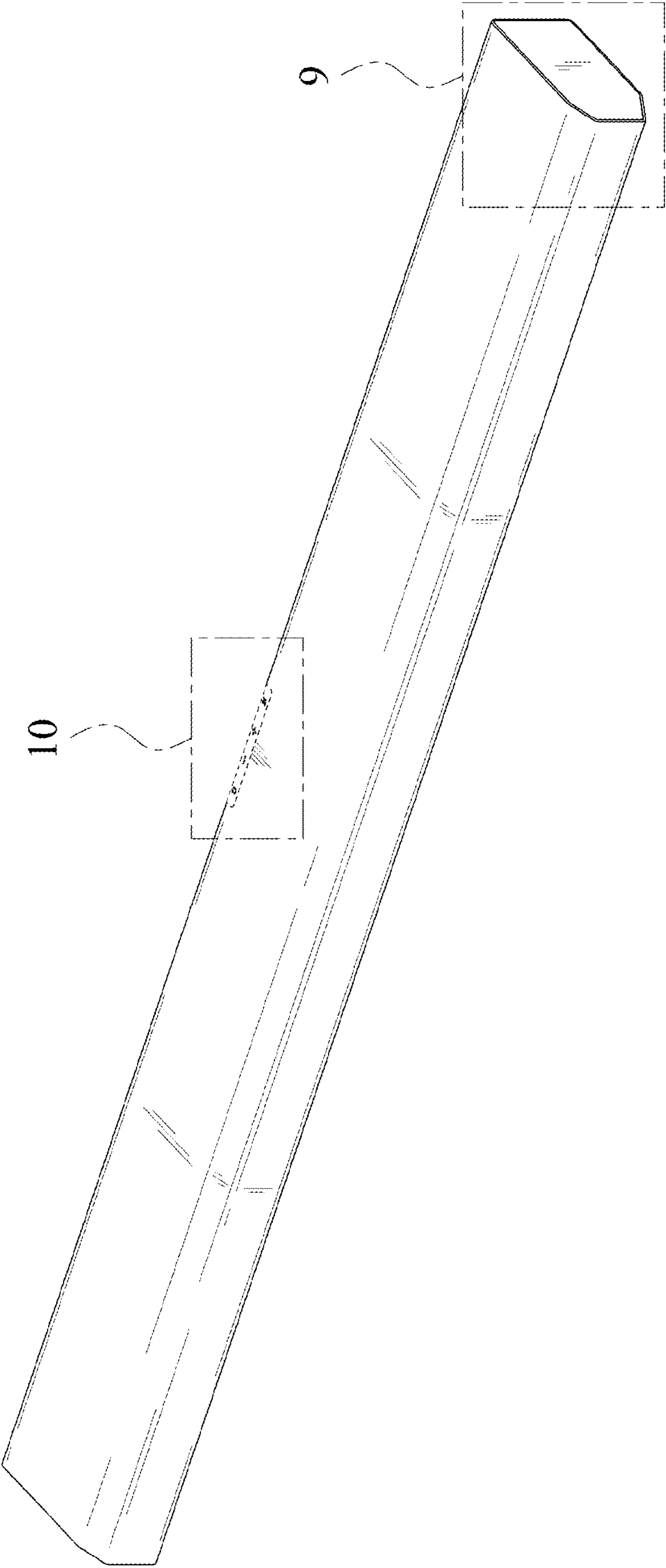


FIG. 2

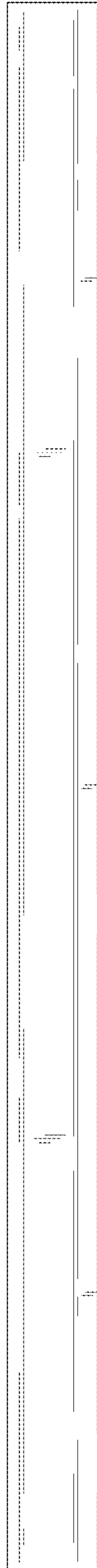


FIG. 3

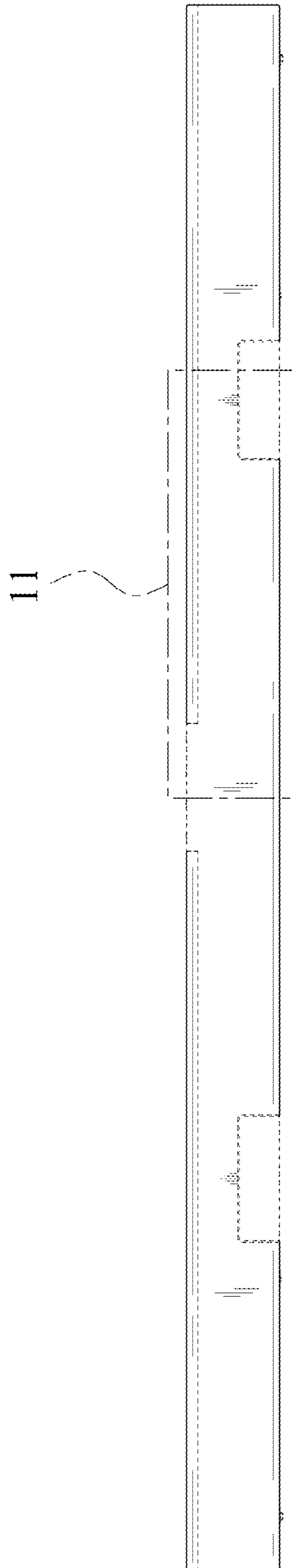


FIG. 4

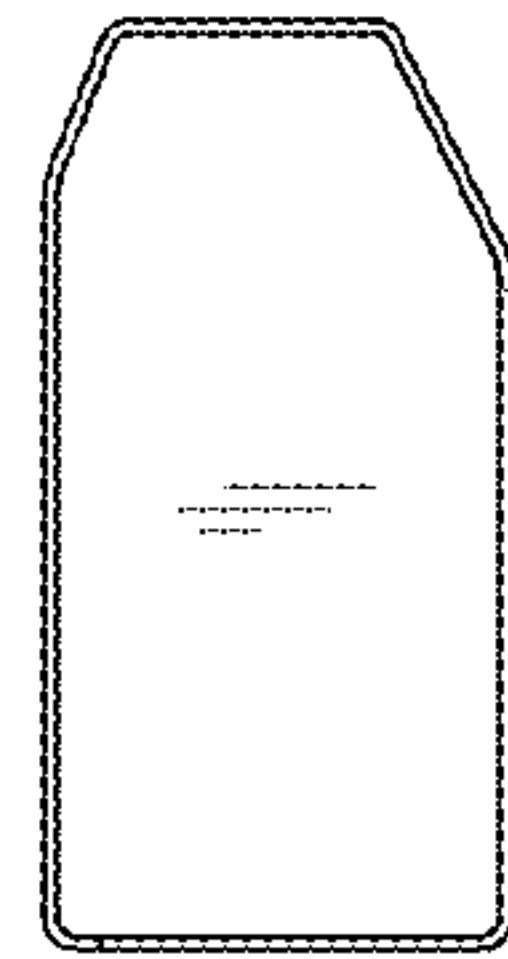


FIG. 5

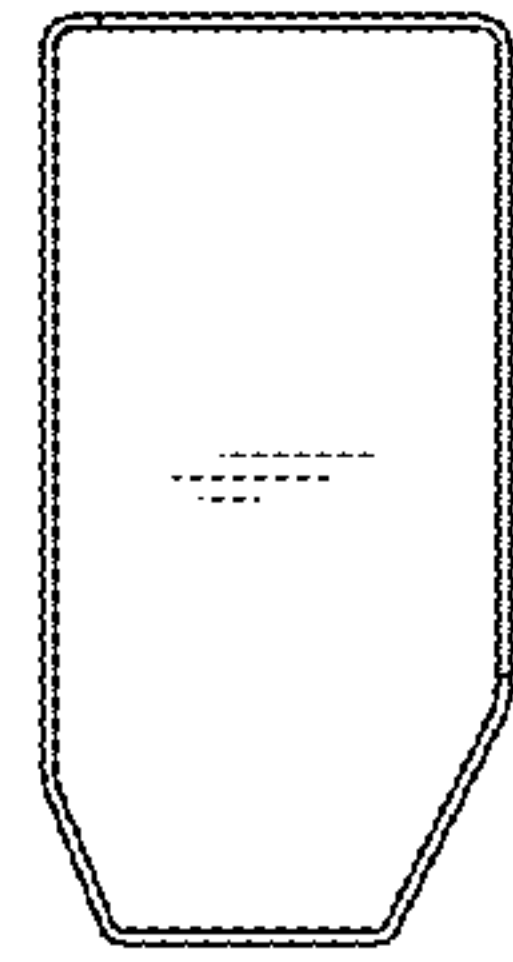


FIG. 6

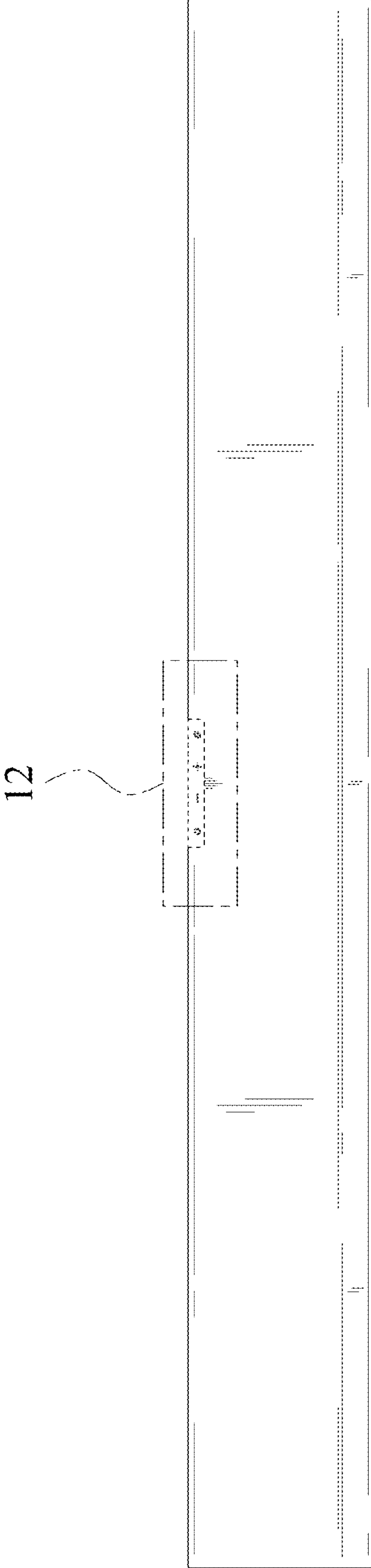




FIG. 7

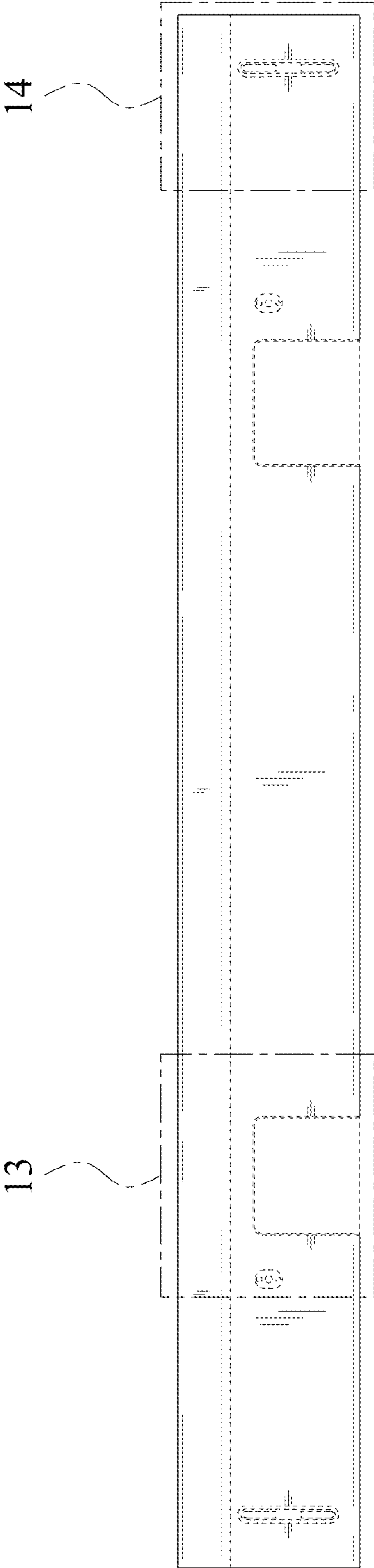


FIG. 8

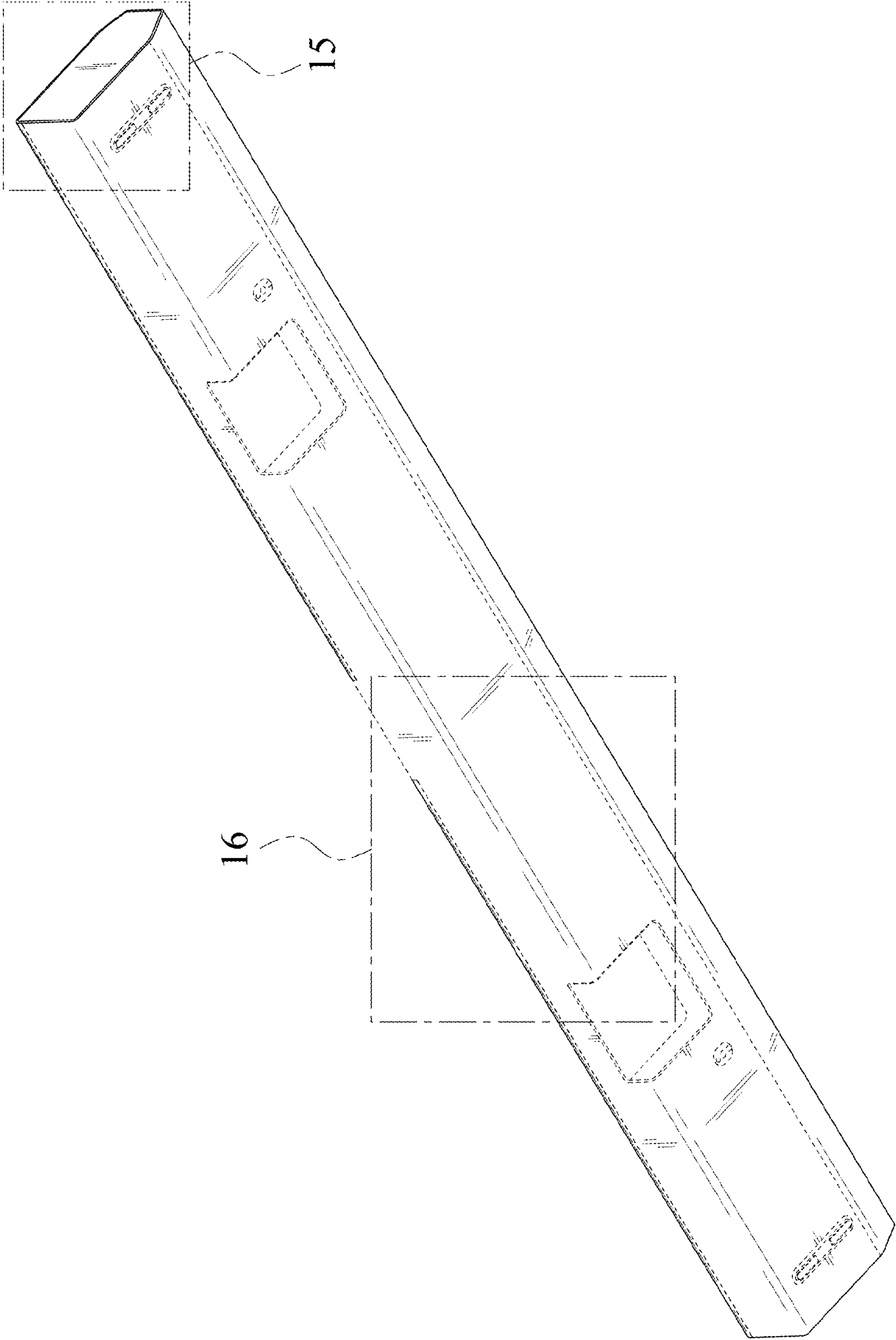


FIG. 9

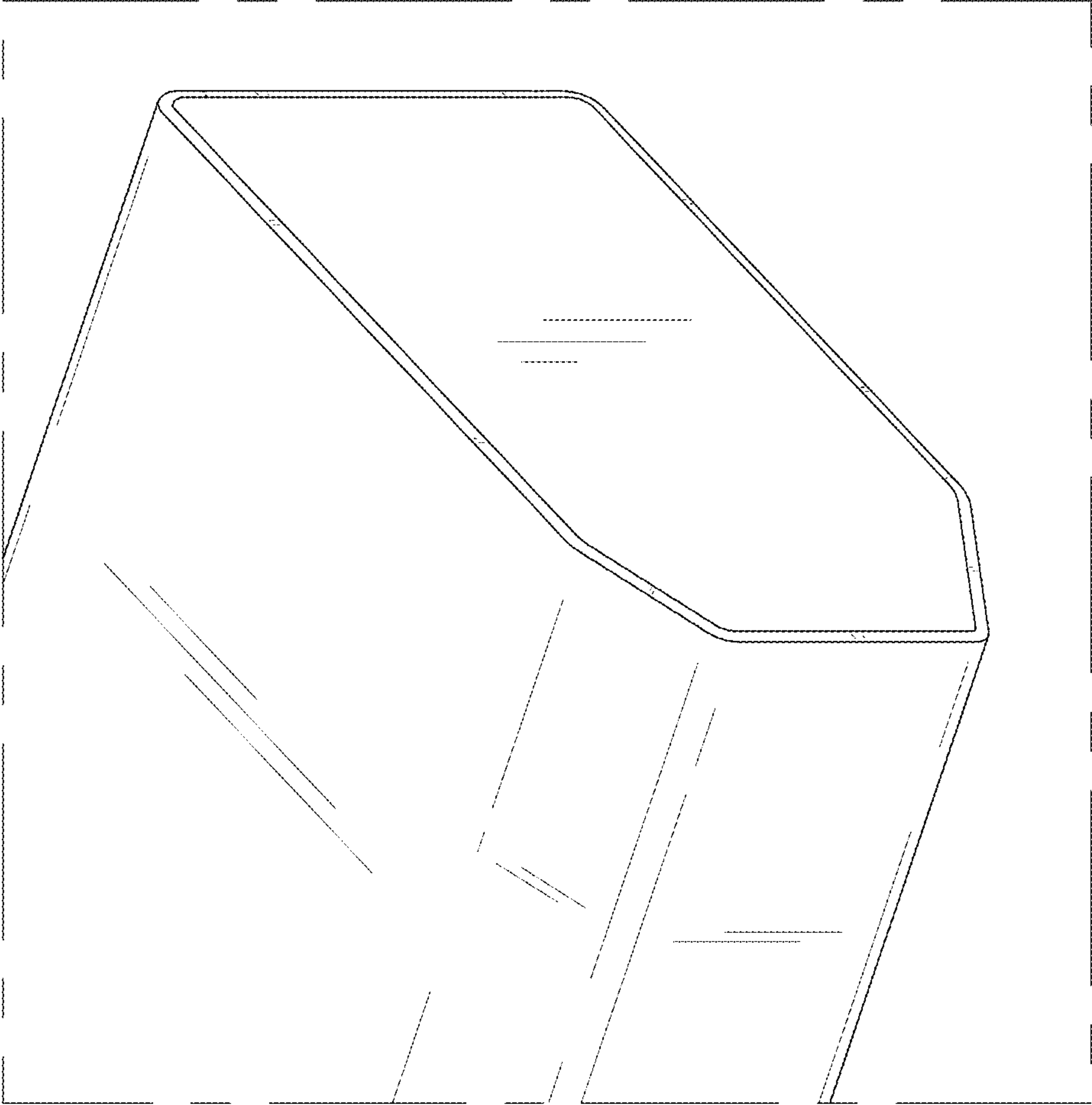


FIG. 10

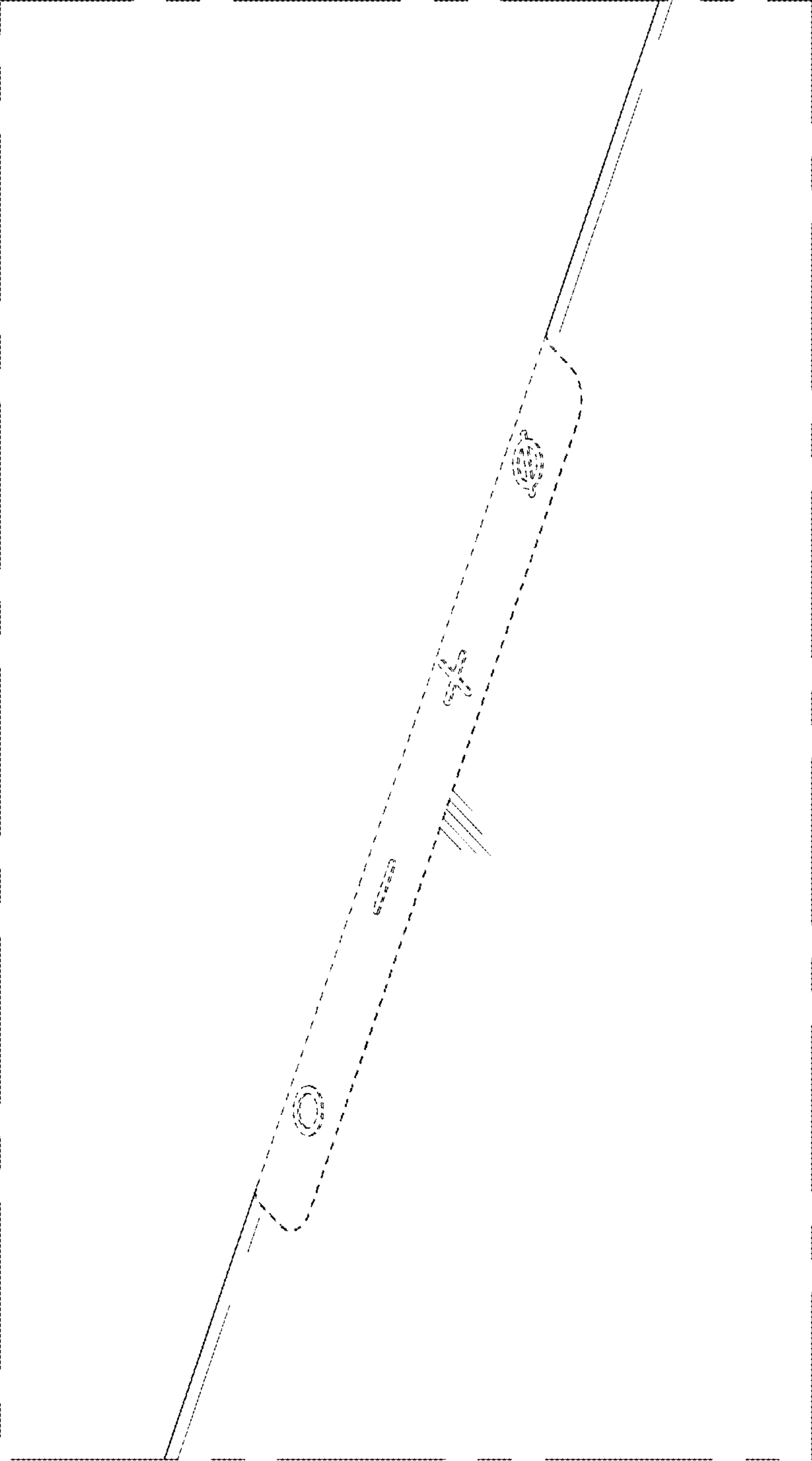


FIG. 11

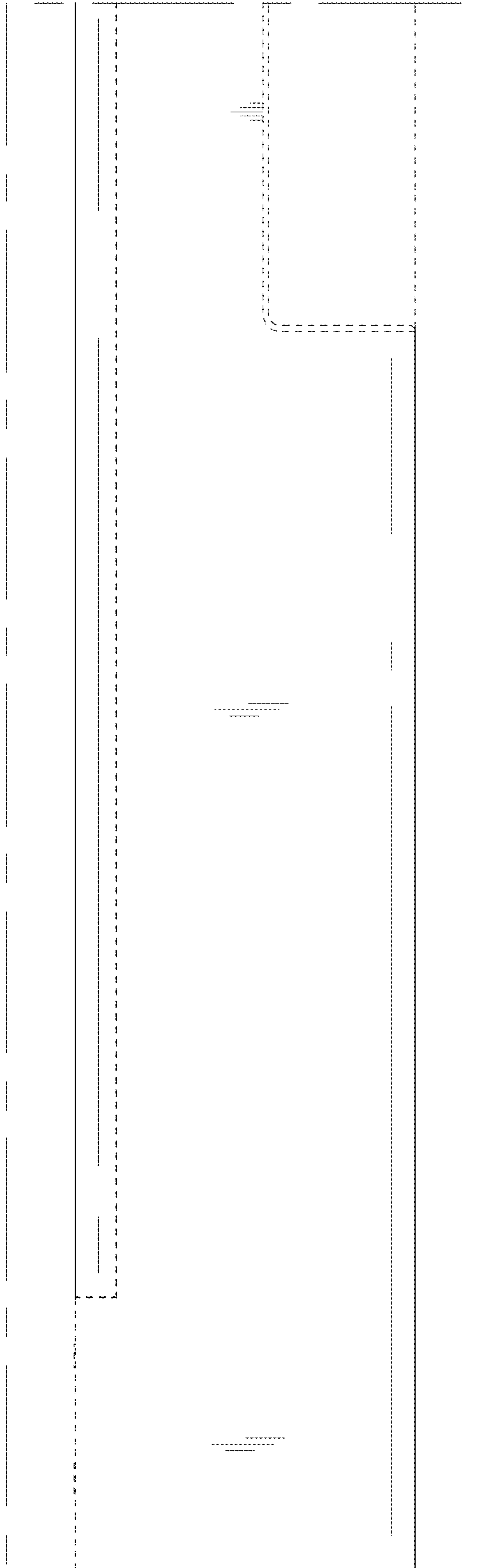


FIG. 12

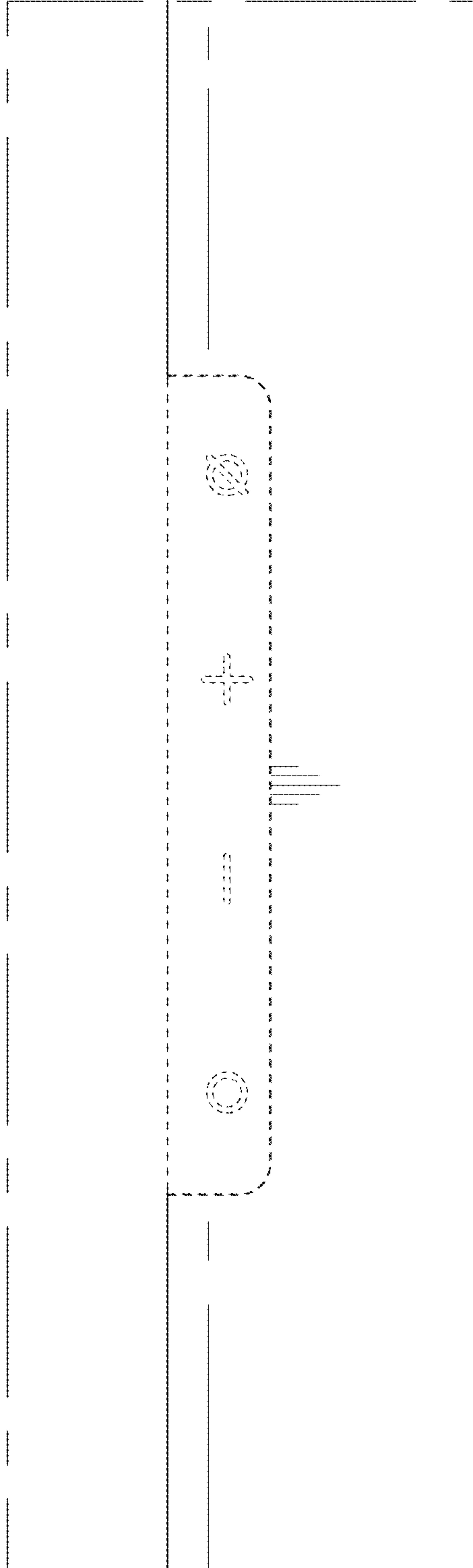


FIG. 13

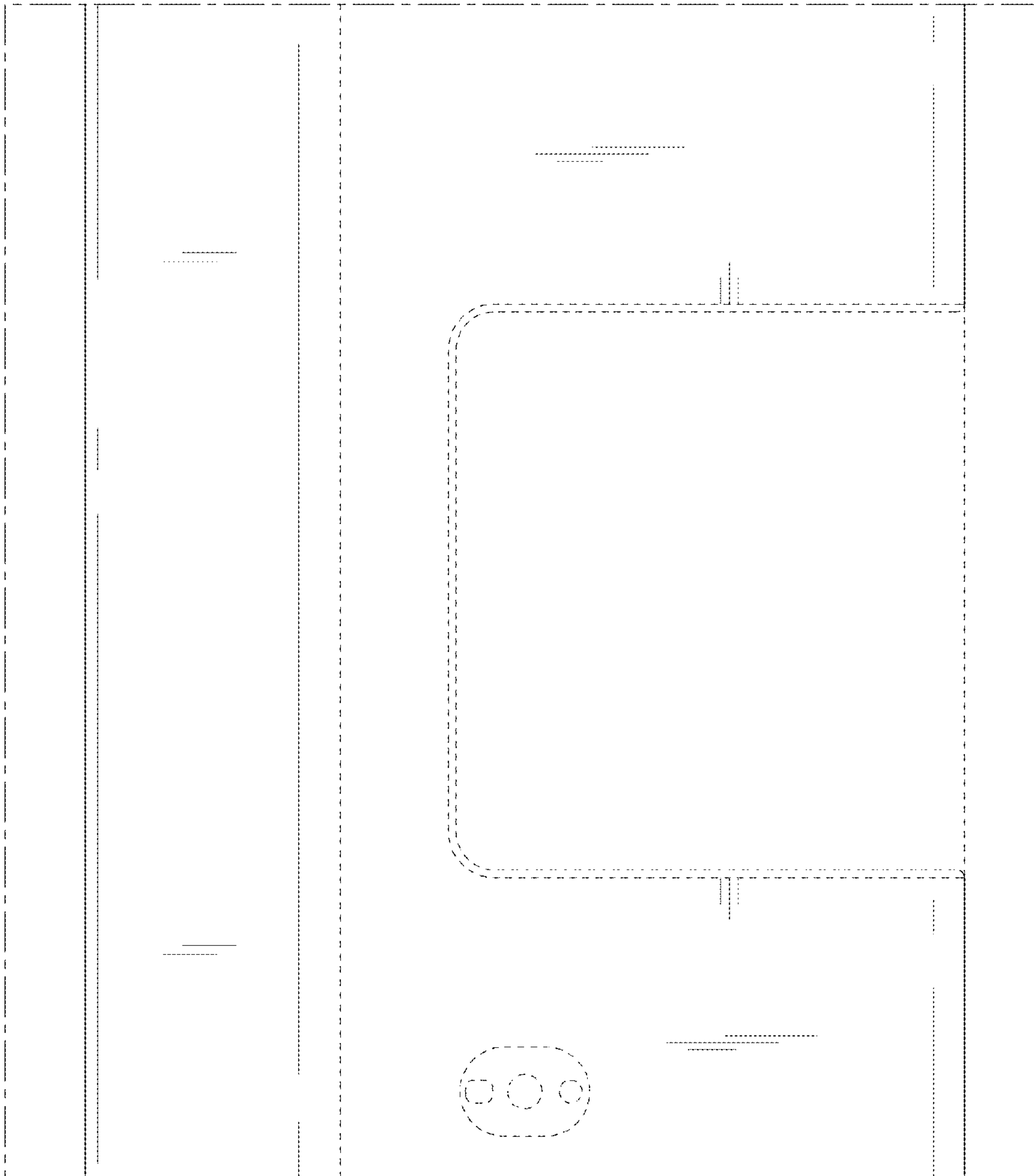


FIG. 14

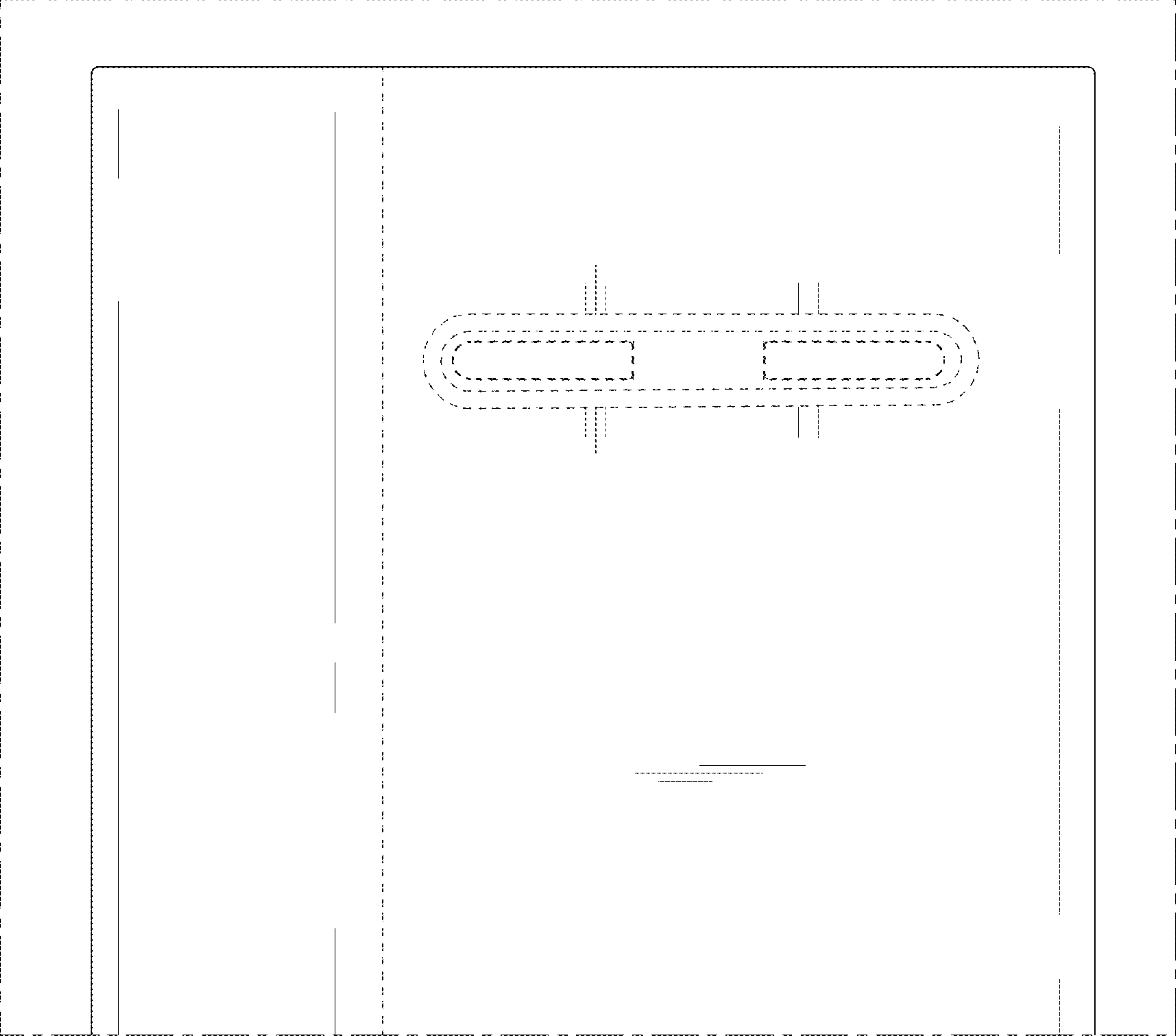




FIG. 15

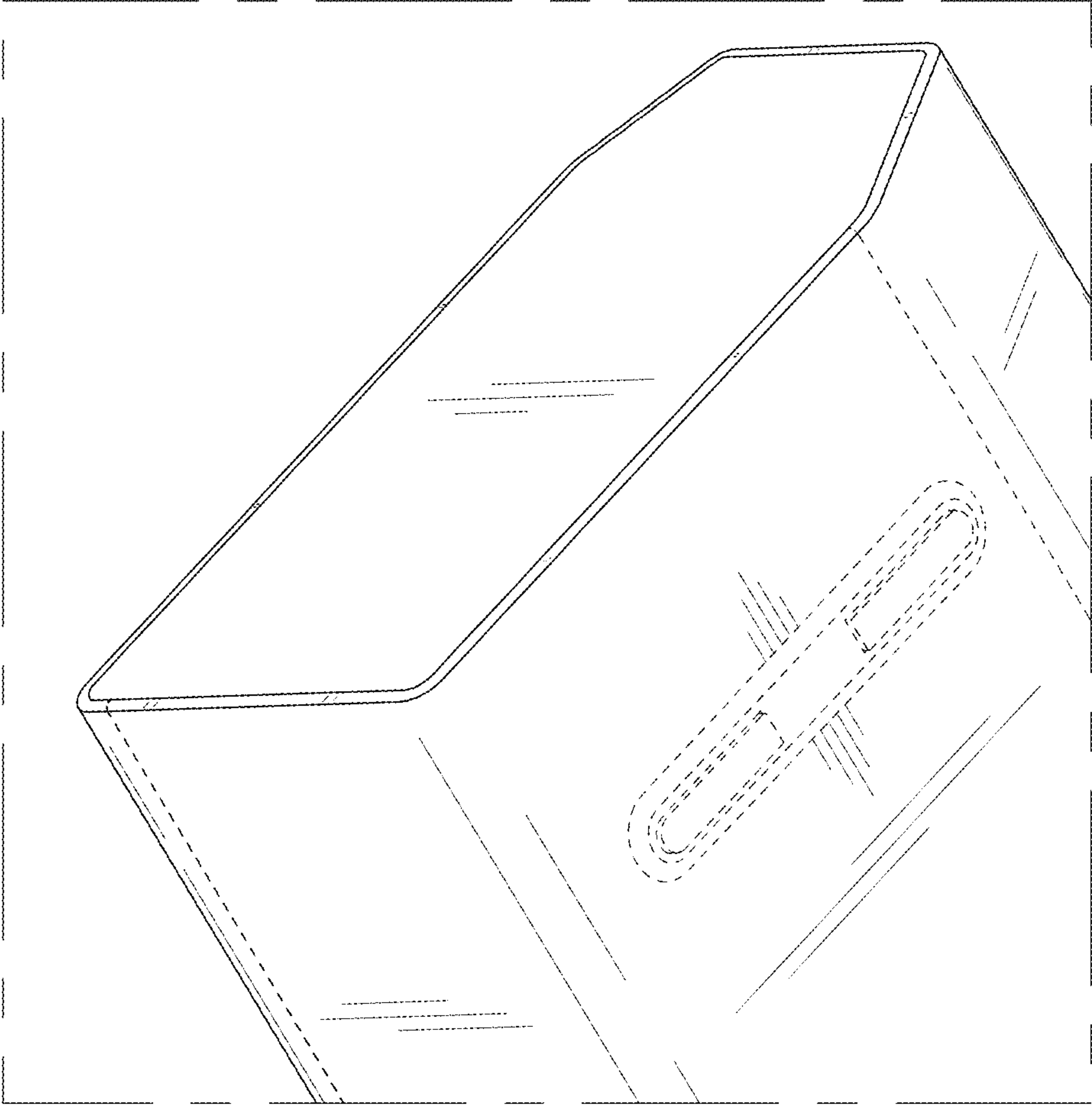


FIG. 16

