



US00D955360S

(12) **United States Design Patent** (10) **Patent No.:** **US D955,360 S**  
**Slaatto** (45) **Date of Patent:** **\*\* \*Jun. 21, 2022**

(54) **LOUDSPEAKER**  
(71) Applicant: **Bang & Olufsen A/S**, Struer (DK)  
(72) Inventor: **Øivind Alexander Slaatto**,  
Frederiksberg (DK)  
(73) Assignee: **Bang & Olufsen A/S**, Struer (DK)  
(\* ) Notice: This patent is subject to a terminal dis-  
claimer.  
(\*\*) Term: **15 Years**

D473,546 S \* 4/2003 Hovanky ..... D14/217  
D481,704 S \* 11/2003 Shindo ..... D14/188  
D491,162 S \* 6/2004 Chan ..... D14/188  
D499,392 S \* 12/2004 Bathurst ..... D14/150  
D511,764 S \* 11/2005 Tokioka ..... D14/167  
D532,405 S \* 11/2006 Yagi ..... D14/167  
D566,682 S \* 4/2008 Marash ..... D14/149  
D597,075 S \* 7/2009 Irii ..... D14/214  
D720,722 S \* 1/2015 Lee ..... D14/210  
D769,213 S \* 10/2016 McManigal ..... D14/204  
D782,430 S \* 3/2017 Tam ..... D14/125  
D883,294 S \* 5/2020 Xie ..... D14/433  
D894,865 S \* 9/2020 Yin ..... D14/204  
D934,193 S \* 10/2021 Zhang ..... D14/204  
D937,237 S \* 11/2021 Amarosa ..... D14/149

(21) Appl. No.: **29/628,883**

\* cited by examiner

(22) Filed: **Dec. 8, 2017**

*Primary Examiner* — Janice Patyk

(30) **Foreign Application Priority Data**

(74) *Attorney, Agent, or Firm* — Dykema Gossett PLLC

Jun. 9, 2017 (EM) ..... 004038982

(51) **LOC (13) Cl.** ..... **14-01**

(57) **CLAIM**

(52) **U.S. Cl.**  
USPC ..... **D14/204**

The ornamental design for a loudspeaker, as shown and described.

(58) **Field of Classification Search**  
USPC .... D14/167, 188, 204, 209.1, 210–215, 348,  
D14/352, 498–505; 181/143, 144, 148,  
181/153, 157, 198, 199; 369/6–12;  
381/300–303, 361–364, 366, 386–388  
CPC ..... H04R 1/02; H04R 1/021; H04R 1/023;  
H04R 5/00; H04R 9/06; H04R 2420/07  
See application file for complete search history.

**DESCRIPTION**

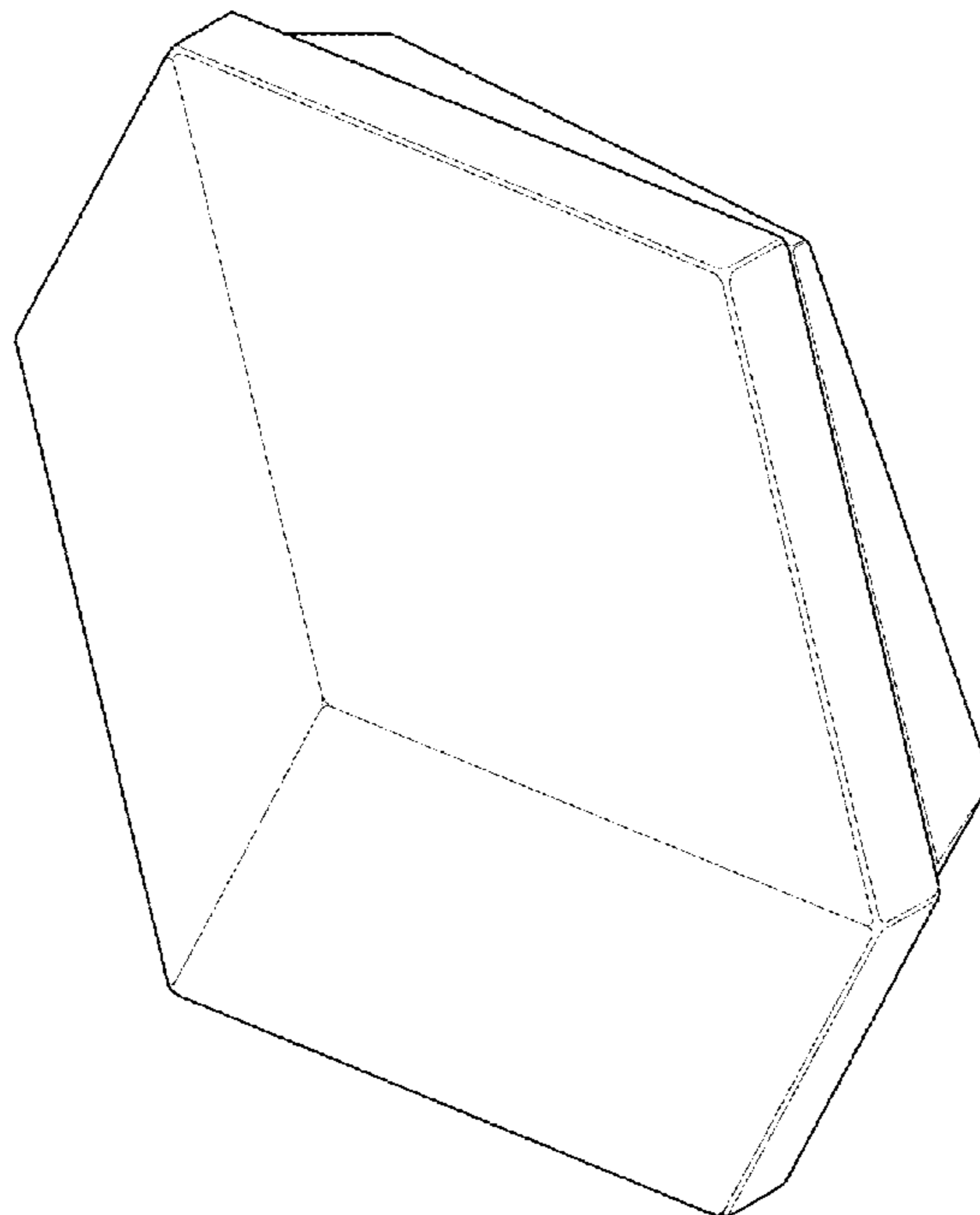
FIG. 1 is a top, front, and right side isometric view of a loudspeaker, showing my new design.  
FIG. 2 is a left side view thereof.  
FIG. 3 is a top, rear, left side, isometric view thereof.  
FIG. 4 is a right side view thereof.  
FIG. 5 is a front view thereof.  
FIG. 6 is a top plan view thereof; and,  
FIG. 7 is a bottom plan view thereof.

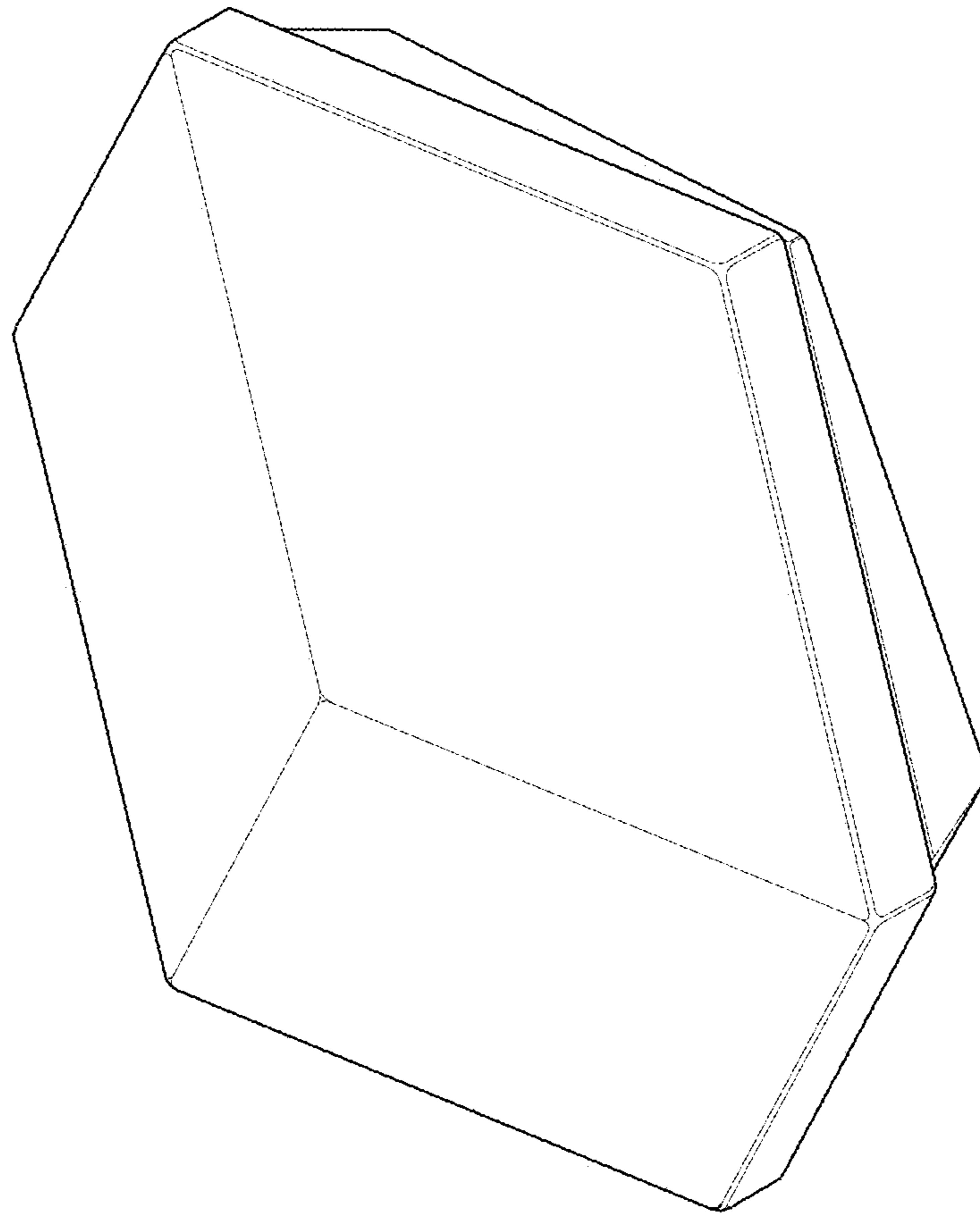
(56) **References Cited**

**U.S. PATENT DOCUMENTS**

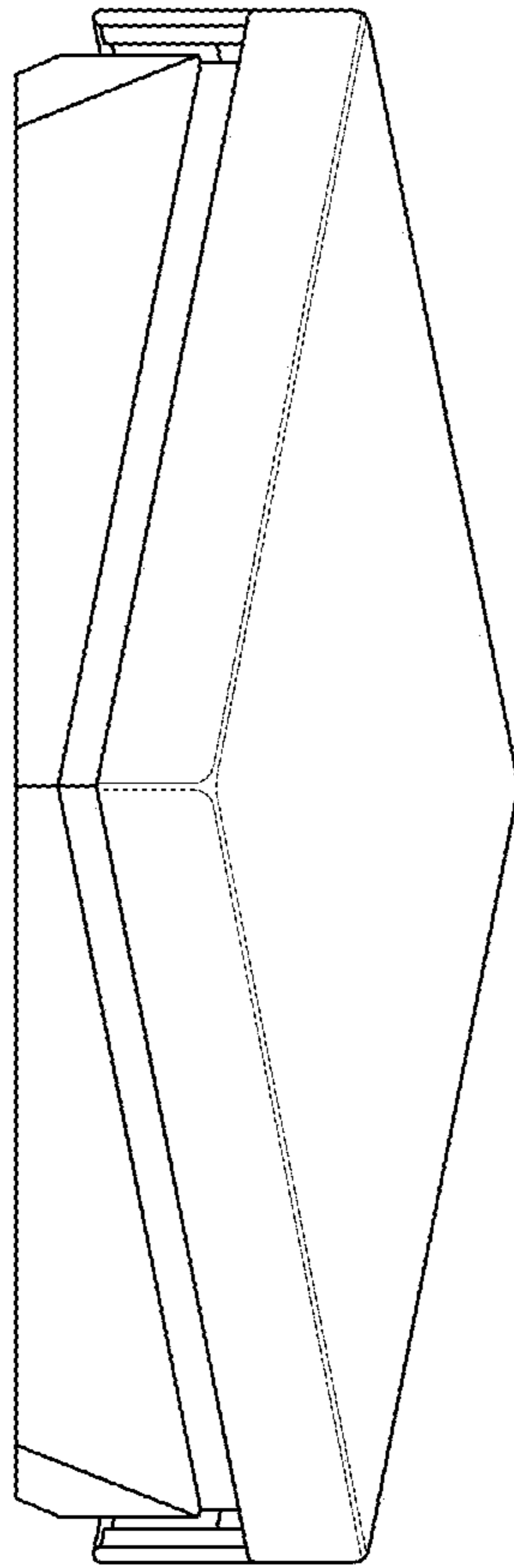
**1 Claim, 7 Drawing Sheets**

D345,357 S \* 3/1994 Kim ..... D14/150  
D396,716 S \* 8/1998 Matsuda ..... D14/150

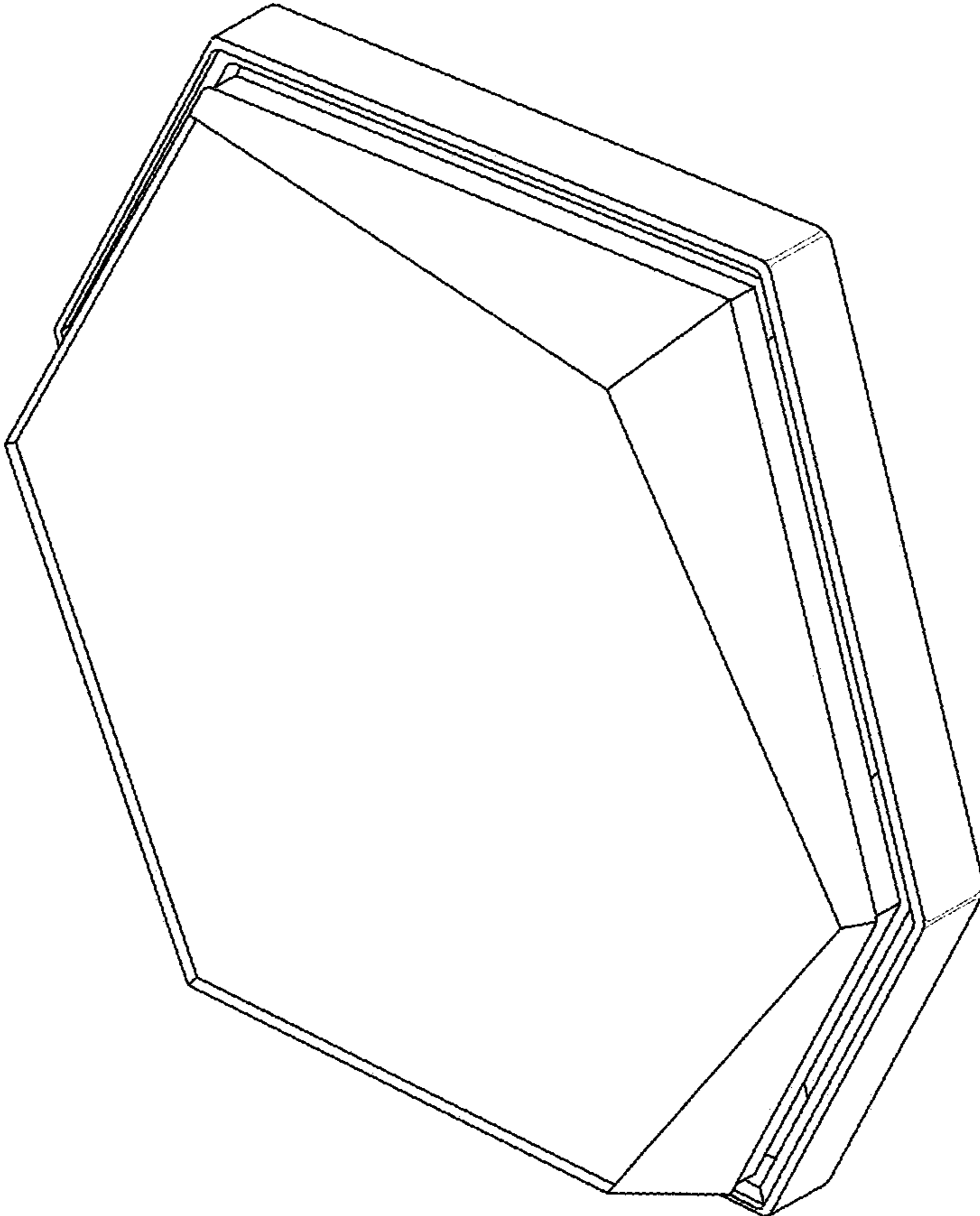




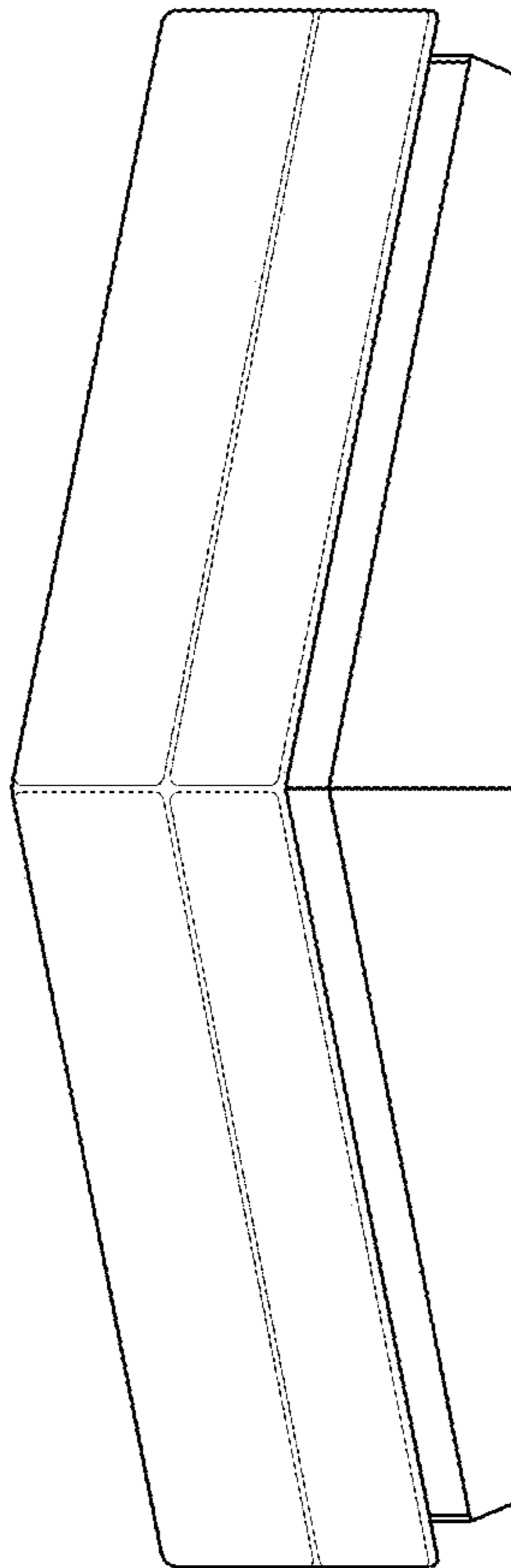
**FIG. 1**



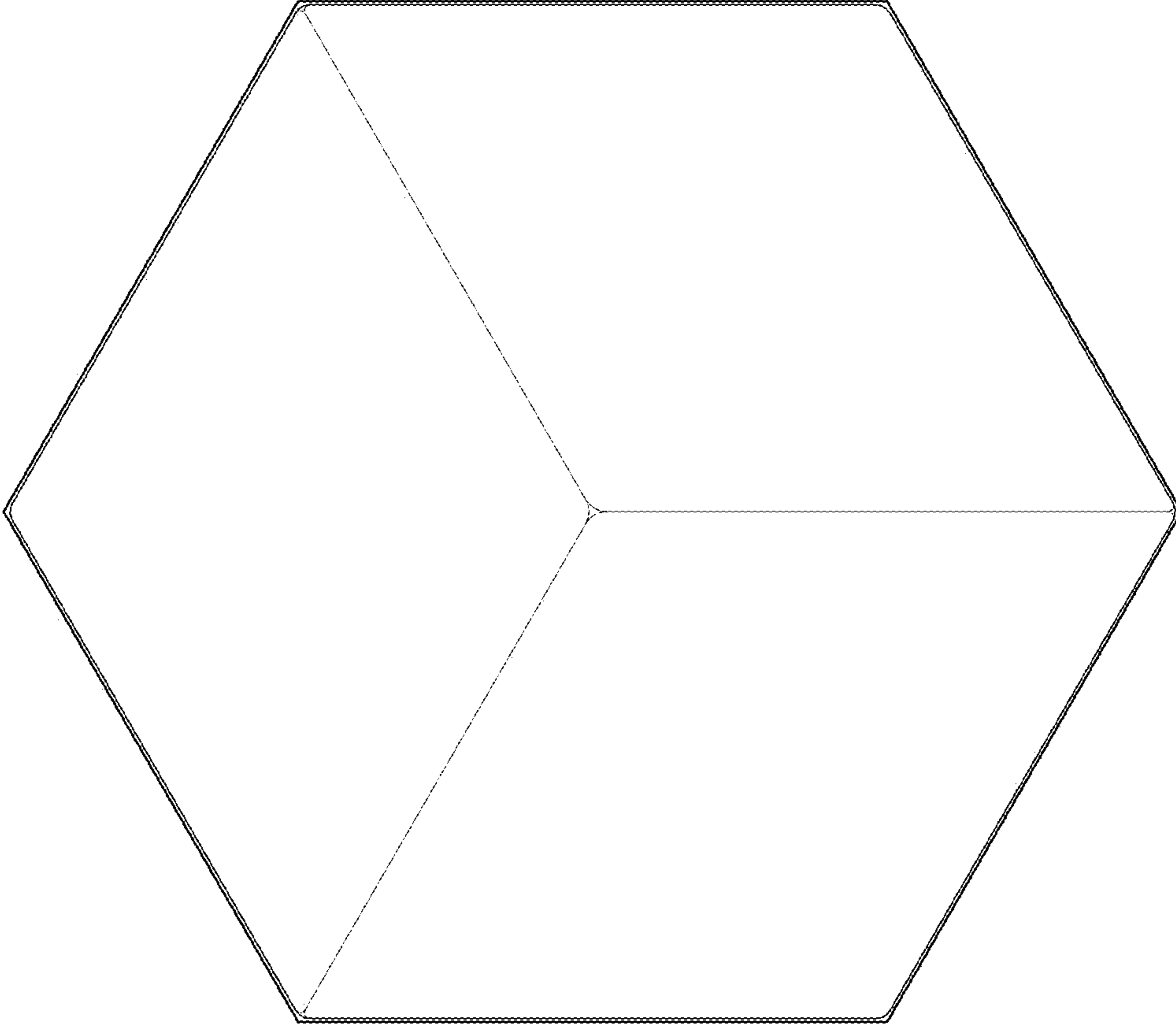
**FIG. 2**



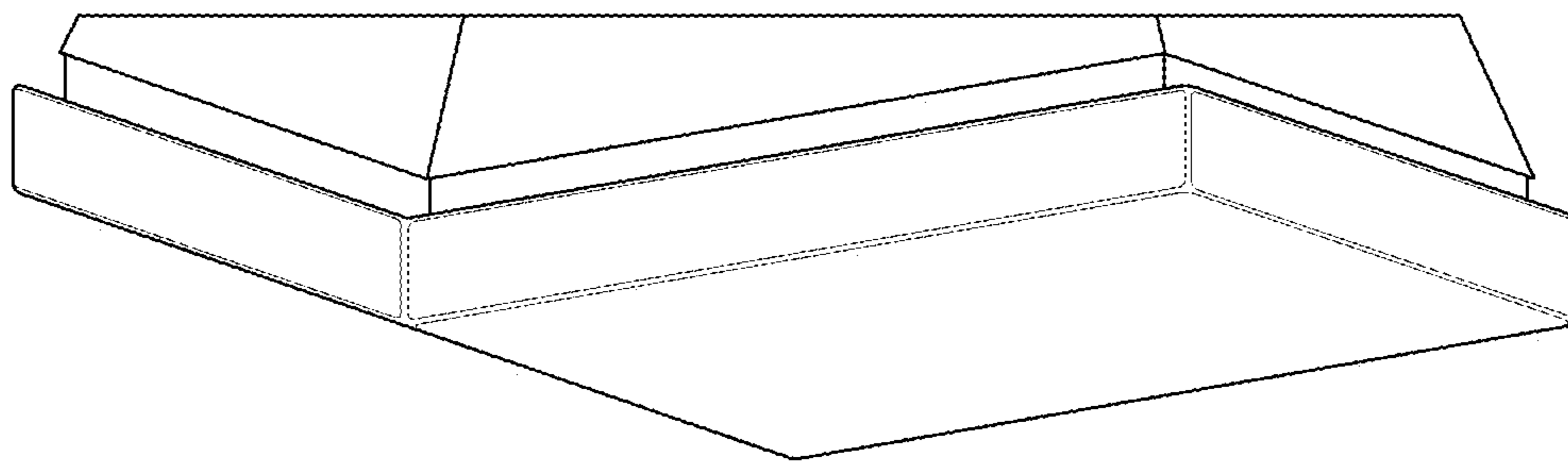
**FIG. 3**



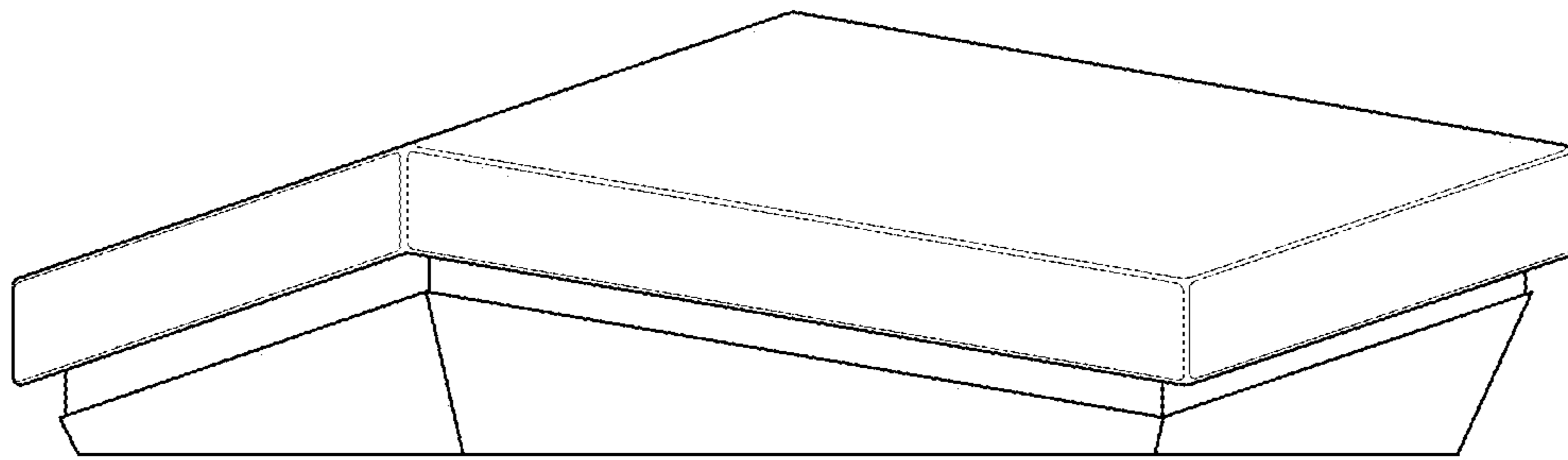
**FIG. 4**



**FIG. 5**



**FIG. 6**



**FIG. 7**