



US00D955351S

(12) **United States Design Patent** (10) **Patent No.:** **US D955,351 S**
Hwang et al. (45) **Date of Patent:** **** Jun. 21, 2022**

(54) **STAND FOR TELEVISION RECEIVER**

(56) **References Cited**

(71) Applicant: **LG ELECTRONICS INC.**, Seoul (KR)

U.S. PATENT DOCUMENTS

(72) Inventors: **Jungyeon Hwang**, Seoul (KR); **Yongho Lee**, Seoul (KR); **Hewon Kihl**, Seoul (KR); **Chanwoo Park**, Seoul (KR)

D545,778	S	*	7/2007	Isshiki	D14/126
D558,743	S	*	1/2008	Isshiki	D14/239
D561,712	S	*	2/2008	Chu	D14/126
D562,788	S	*	2/2008	Asanuma	D14/126
D566,669	S	*	4/2008	Ooshima	D14/126
D570,312	S	*	6/2008	Kita	D14/126
D619,135	S	*	7/2010	Lin	D14/374
D620,901	S	*	8/2010	Won	D14/126
D634,324	S	*	3/2011	Park	D14/374
D659,661	S	*	5/2012	Lim	D14/126
D660,815	S	*	5/2012	Itou	D14/126
D664,940	S	*	8/2012	Kim	D14/129
D669,870	S	*	10/2012	Kim	D14/126
D680,508	S	*	4/2013	Kim	D14/126
D682,227	S	*	5/2013	Lee	D14/126
D686,615	S	*	7/2013	Lee	D14/374
D692,403	S	*	10/2013	Takami	D14/126
D700,586	S	*	3/2014	Kim	D14/126

(73) Assignee: **LG ELECTRONICS INC.**, Seoul (KR)

(**) Term: **15 Years**

(21) Appl. No.: **35/510,466**

(22) Filed: **Apr. 1, 2020**

(80) **Hague Agreement Data**

Int. Filing Date: **Apr. 1, 2020**
Int. Reg. No.: **DM/207195**
Int. Reg. Date: **Apr. 1, 2020**
Int. Reg. Pub. Date: **Oct. 2, 2020**

(Continued)

Primary Examiner — Richard E Chilcot
(74) *Attorney, Agent, or Firm* — Birch, Stewart, Kolasch & Birch, LLP

(30) **Foreign Application Priority Data**

Oct. 11, 2019 (KR) 30-2019-0048547

(51) **LOC (13) Cl.** **14-03**

(52) **U.S. Cl.**
USPC **D14/126; D14/239**
CPC **G06F 1/1601 (2013.01)**

(58) **Field of Classification Search**
USPC D14/125-134, 239, 371, 136, 374-377, D14/440, 450, 448, 336, 342, 159; 312/7.2; 348/836, 838, 180, 184, 325, 348/739; 248/917-924, 465; 345/104, 345/133, 156, 168, 87, 173; D21/329, D21/515, 577, 622, 333, 433, 448, 452, D21/450, 331, 505; D10/15, 26; D24/185; D34/14
CPC ... G06F 1/1601; G06F 1/1643; H05K 5/0004; H05K 5/0017; H05K 5/02; H05K 5/0217
See application file for complete search history.

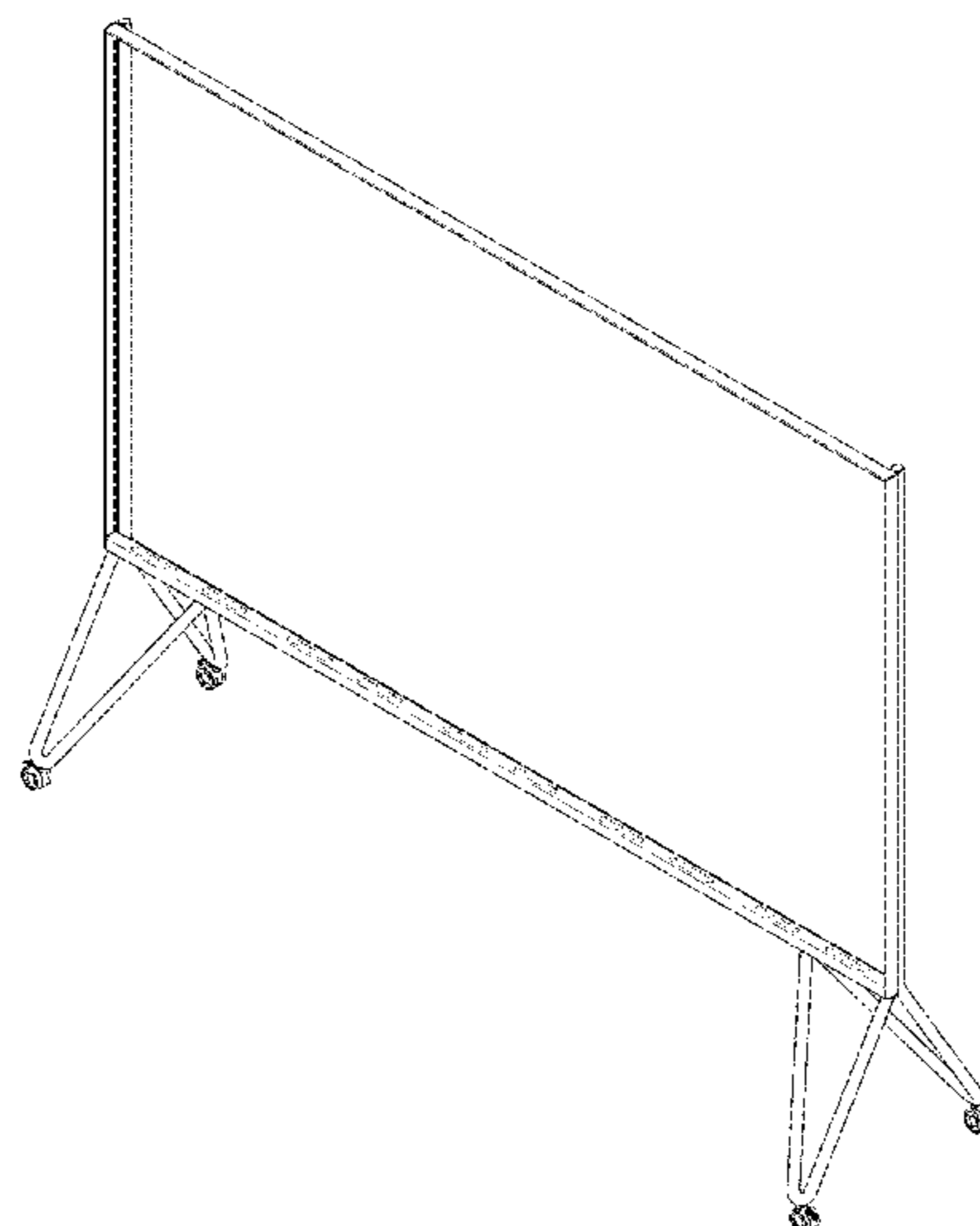
(57) **CLAIM**

The ornamental design for a stand for television receiver, as shown and described.

DESCRIPTION

1. Stand for television receiver
1.1 : Perspective
1.2 : Front
1.3 : Back
1.4 : Left
1.5 : Right
1.6 : Top
1.7 : Bottom
The broken lines depict portions of the stand for television receiver that form no part of the claimed design.

1 Claim, 7 Drawing Sheets



(56)

References Cited

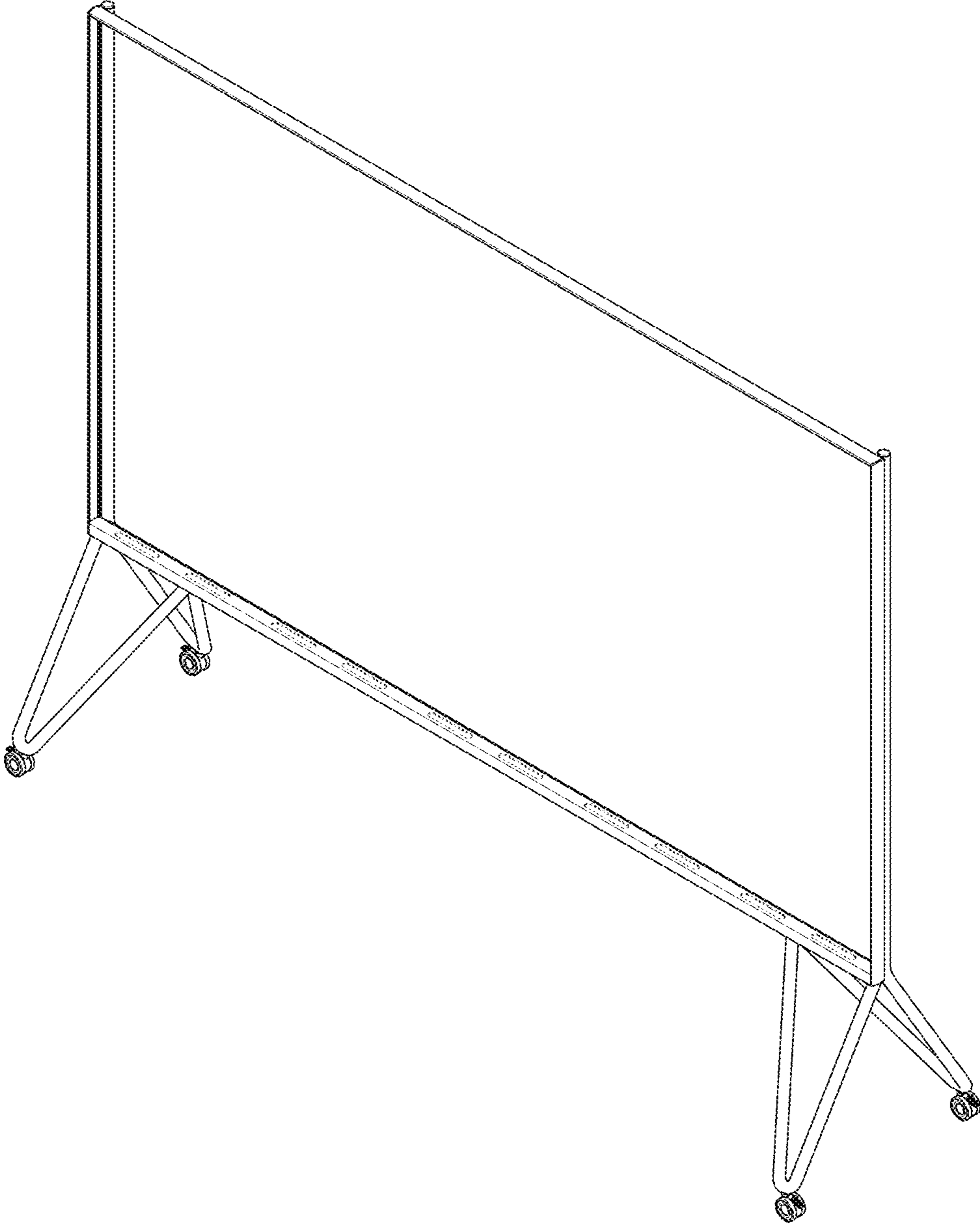
U.S. PATENT DOCUMENTS

D703,168 S * 4/2014 Won D14/126
 D714,238 S * 9/2014 Kim D14/126
 D717,751 S * 11/2014 Shin D14/126
 D718,728 S * 12/2014 Park D14/126
 D719,119 S * 12/2014 Park D14/126
 D720,315 S * 12/2014 Kim D14/126
 D722,033 S * 2/2015 Kim D14/126
 D722,989 S * 2/2015 Park D14/126
 D723,483 S * 3/2015 Lee D14/126
 D723,528 S * 3/2015 Choi D14/239
 D725,616 S * 3/2015 Oh D14/126
 D726,666 S * 4/2015 Hwangbo D14/126
 D733,082 S * 6/2015 Hwangbo D14/126
 D743,953 S * 11/2015 Ann D14/239
 D748,596 S * 2/2016 McManigal D14/126
 D751,519 S * 3/2016 Ma D14/126
 D754,086 S * 4/2016 Valeur D14/126
 D755,140 S * 5/2016 Kim D14/126
 D756,945 S * 5/2016 Kim D14/126
 D763,213 S * 8/2016 Ann D14/126
 D768,100 S * 10/2016 Seo D14/126
 D772,830 S * 11/2016 Kim D14/126
 D773,419 S * 12/2016 Han D14/126
 D774,484 S * 12/2016 Han D14/126
 D775,094 S * 12/2016 Kim D14/126
 D778,854 S * 2/2017 Lee D14/126
 D778,855 S * 2/2017 Lee D14/126
 D780,140 S * 2/2017 Kim D14/126
 D781,260 S * 3/2017 Song D14/126
 D782,991 S * 4/2017 Kim D14/126
 D785,581 S * 5/2017 McManigal D14/126
 D786,813 S * 5/2017 McManigal D14/126
 D786,868 S * 5/2017 Kim D14/374
 D787,462 S * 5/2017 Shiono D14/126
 D790,493 S * 6/2017 Han D14/126
 D790,542 S * 6/2017 Jung D14/374
 D791,094 S * 7/2017 Han D14/126
 D792,361 S * 7/2017 Han D14/126
 D795,849 S * 8/2017 Cho D14/239
 D795,850 S * 8/2017 Choi D14/239
 D796,465 S * 9/2017 Kim D14/126
 D796,494 S * 9/2017 Woo D14/239
 D805,511 S * 12/2017 Sun D14/336
 D817,290 S * 5/2018 Lee D14/126
 D817,900 S * 5/2018 So D14/126
 D820,818 S * 6/2018 Heckler D14/239

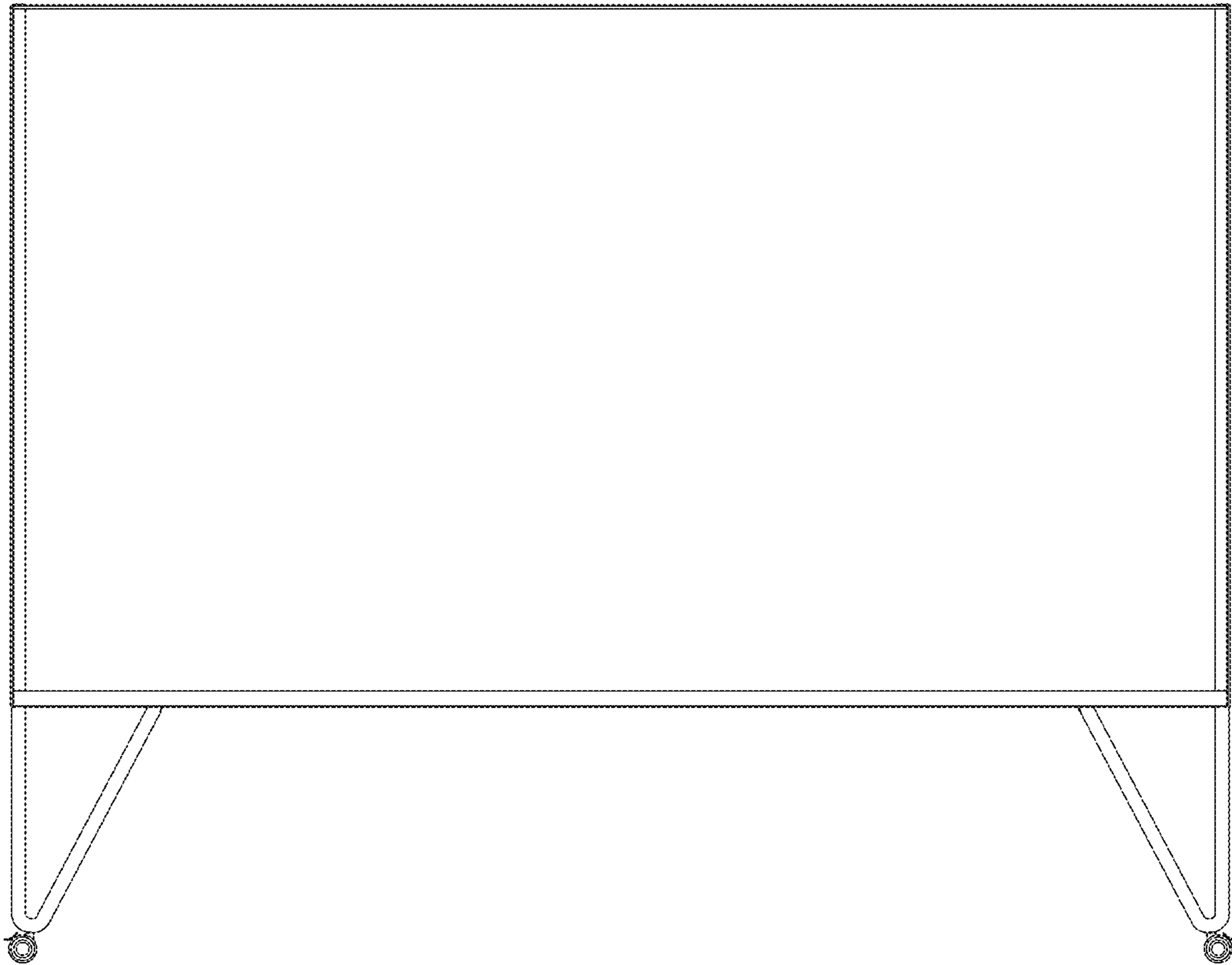
D822,670 S * 7/2018 Hubert D14/451
 D823,843 S * 7/2018 Kim D14/239
 D824,889 S * 8/2018 Debaigue D14/239
 D824,891 S * 8/2018 Kim D14/239
 D826,200 S * 8/2018 Kim D14/126
 D826,878 S * 8/2018 Kim D14/126
 D826,884 S * 8/2018 Kim D14/126
 D828,837 S * 9/2018 Kim D14/374
 D830,985 S * 10/2018 Cha D14/126
 D831,647 S * 10/2018 Woo D14/374
 D836,583 S * 12/2018 Cha D14/126
 D836,587 S * 12/2018 Cha D14/126
 D847,772 S * 5/2019 Kim D14/126
 D847,773 S * 5/2019 Kim D14/126
 D847,802 S * 5/2019 Kim D14/239
 D848,386 S * 5/2019 Kuwao D14/126
 D848,965 S * 5/2019 Kim D14/126
 D848,991 S * 5/2019 Hwang D14/239
 D855,612 S * 8/2019 Lim D14/374
 D857,676 S * 8/2019 Kim D14/239
 D858,473 S * 9/2019 Lee D14/126
 D858,474 S * 9/2019 Lim D14/126
 D860,961 S * 9/2019 Kim D14/126
 D860,962 S * 9/2019 Lee D14/126
 D862,432 S * 10/2019 Fernandez Rubio D14/239
 D866,295 S * 11/2019 Lee D8/354
 D870,713 S * 12/2019 Lee D14/239
 D886,821 S * 6/2020 Escolin D14/375
 D888,695 S * 6/2020 Seong D14/230
 D901,414 S * 11/2020 Park D14/126
 D901,416 S * 11/2020 Park D14/126
 D901,470 S * 11/2020 Kim D14/239
 D904,992 S * 12/2020 Kim D14/126
 D905,649 S * 12/2020 Kim D14/126
 D905,652 S * 12/2020 Lee D14/126
 D912,029 S * 3/2021 Kim D14/239
 D913,370 S * 3/2021 Hwang D19/114
 D914,654 S * 3/2021 Pei D14/239
 D914,661 S * 3/2021 Kim D14/239
 D916,690 S * 4/2021 Kuroda D14/239
 D917,438 S * 4/2021 Kuroda D14/239
 D918,163 S * 5/2021 Kim B64D 11/00154
 D923,595 S * 6/2021 Jeong D14/126
 D923,596 S * 6/2021 Kim D14/126
 D924,232 S * 7/2021 Kim D14/371
 2015/0146389 A1 * 5/2015 Okata H05K 7/02
 361/752

* cited by examiner

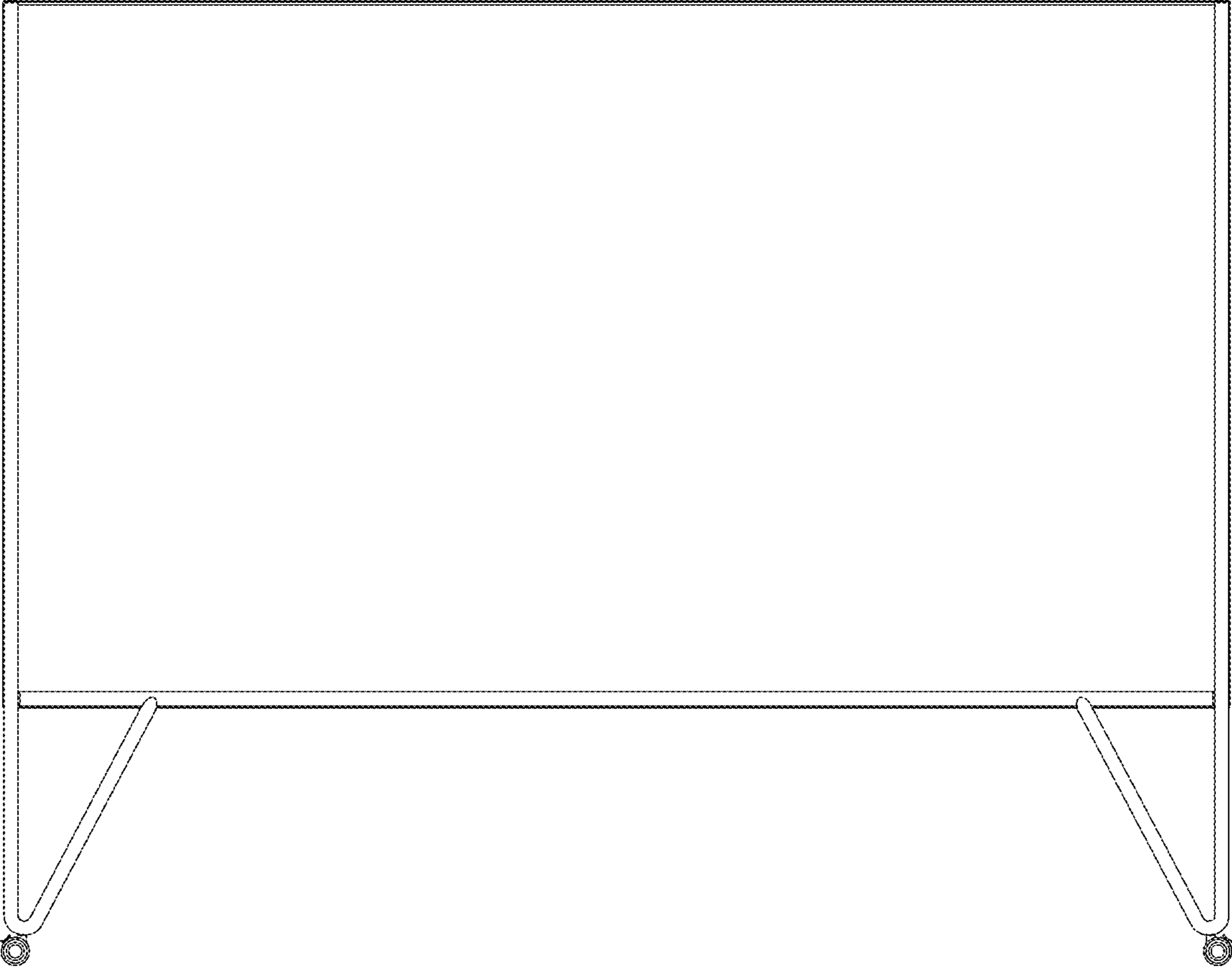
1.1



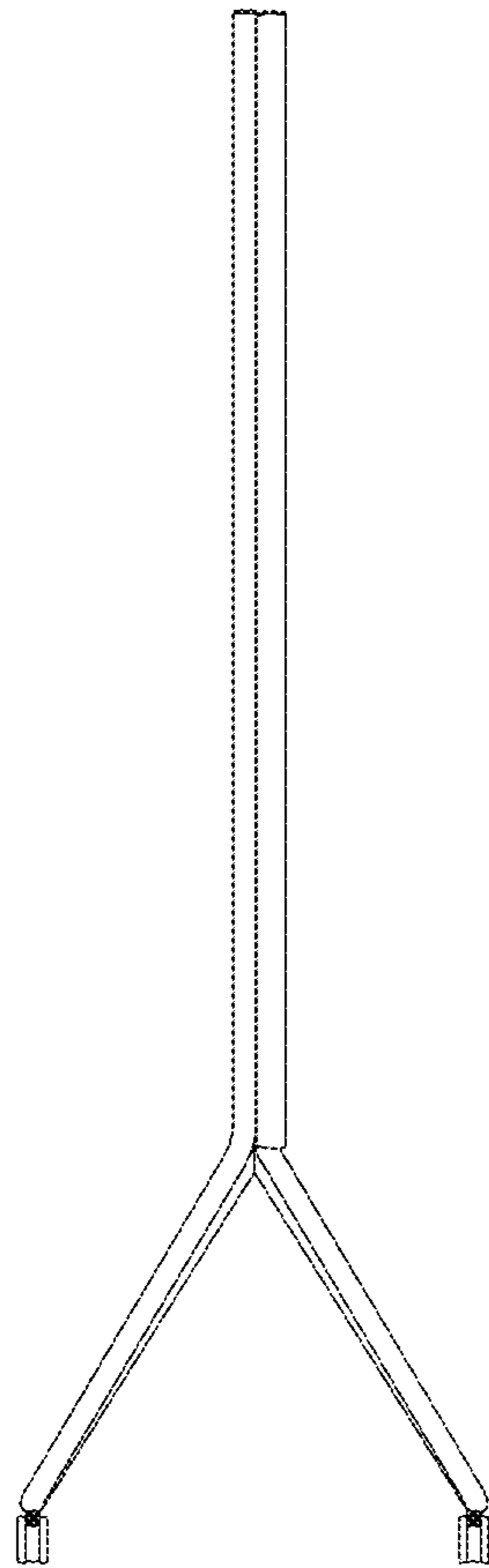
1.2



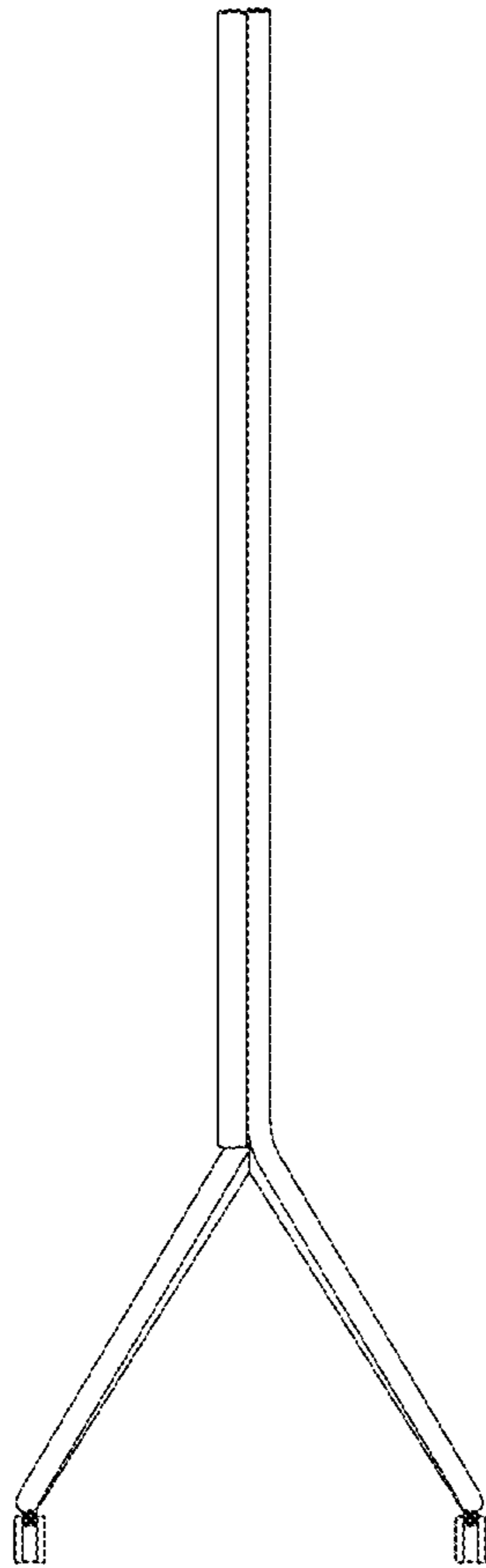
1.3



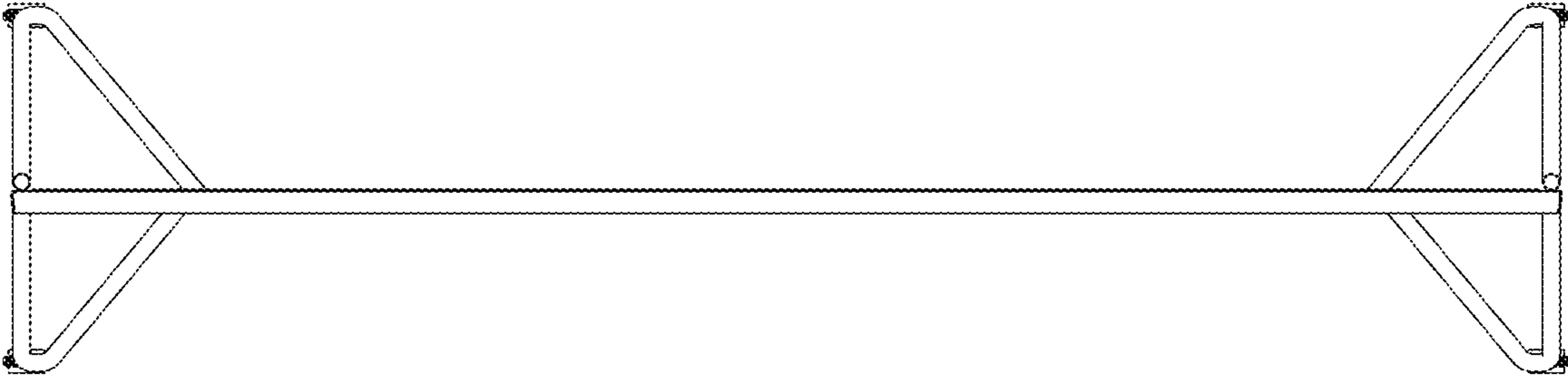
1.4



1.5



1.6



1.7

