



US00D955350S

(12) **United States Design Patent** (10) **Patent No.:** **US D955,350 S**
Hwang et al. (45) **Date of Patent:** **** Jun. 21, 2022**

(54) **STAND FOR TELEVISION RECEIVER**

(56) **References Cited**

(71) Applicant: **LG ELECTRONICS INC.**, Seoul (KR)

U.S. PATENT DOCUMENTS

(72) Inventors: **Jungyeon Hwang**, Seoul (KR); **Yongho Lee**, Seoul (KR); **Hewon Kihl**, Seoul (KR); **Chanwoo Park**, Seoul (KR)

D620,901	S	*	8/2010	Won	D14/126
D660,815	S	*	5/2012	Itou	D14/126
D664,940	S	*	8/2012	Kim	D14/129
D669,870	S	*	10/2012	Kim	D14/126
D680,508	S	*	4/2013	Kim	D14/126
D682,227	S	*	5/2013	Lee	D14/126
D717,751	S	*	11/2014	Shin	D14/126
D718,728	S	*	12/2014	Park	D14/126
D723,483	S	*	3/2015	Lee	D14/126
D723,528	S	*	3/2015	Choi	D14/239
D725,616	S	*	3/2015	Oh	D14/126
D726,666	S	*	4/2015	Hwangbo	D14/126
D743,953	S	*	11/2015	Ann	D14/239
D763,213	S	*	8/2016	Ann	D14/126
D781,260	S	*	3/2017	Song	D14/126
D790,542	S	*	6/2017	Jung	D14/374
D791,094	S	*	7/2017	Han	D14/126
D795,849	S	*	8/2017	Cho	D14/239
D795,850	S	*	8/2017	Choi	D14/239

(73) Assignee: **LG ELECTRONICS INC.**, Seoul (KR)

(**) Term: **15 Years**

(21) Appl. No.: **35/510,453**

(22) Filed: **Apr. 1, 2020**

(80) **Hague Agreement Data**

Int. Filing Date: **Apr. 1, 2020**
Int. Reg. No.: **DM/207525**
Int. Reg. Date: **Apr. 1, 2020**
Int. Reg. Pub. Date: **Oct. 2, 2020**

(30) **Foreign Application Priority Data**

Oct. 11, 2019 (KR) 30-2019-0048546

(51) **LOC (13) Cl.** **14-03**

(52) **U.S. Cl.**
USPC **D14/126; D14/239**
CPC **G06F 1/1601** (2013.01)

(58) **Field of Classification Search**
USPC D14/125-134, 239, 371, 136, 374-377, D14/440, 450, 448, 336, 342, 159; 312/7.2; 348/836, 838, 180, 184, 325, 348/739; 248/917-924, 465; 345/104, 345/133, 156, 168, 87, 173; D21/329, D21/515, 577, 622, 333, 433, 448, 452, D21/450, 331, 505; D10/15, 26; D24/185; D34/14
CPC G06F 1/1601; G06F 1/1643; H05K 5/0017
See application file for complete search history.

(Continued)

Primary Examiner — Richard E Chilcot
(74) *Attorney, Agent, or Firm* — Birch, Stewart, Kolasch & Birch, LLP

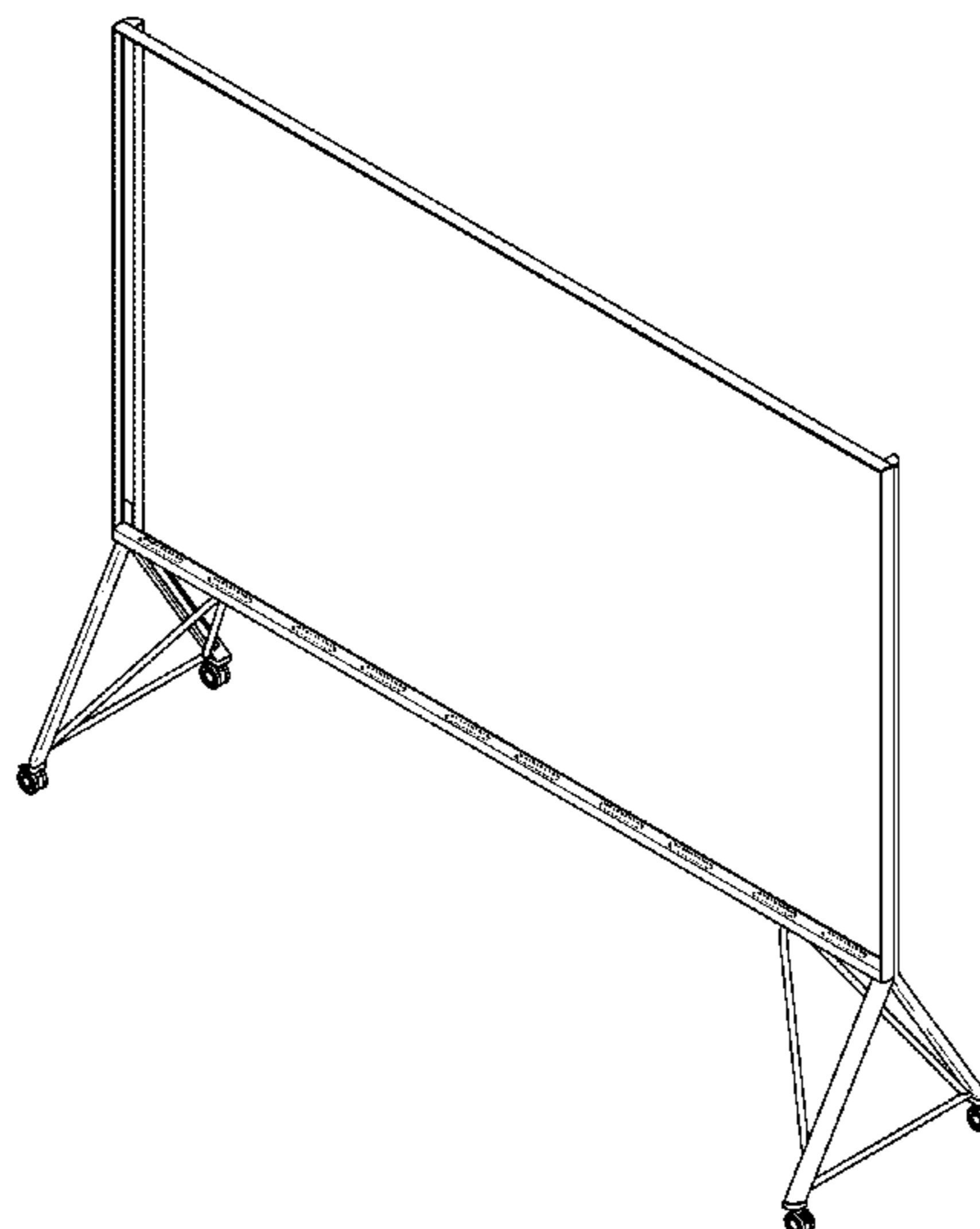
(57) **CLAIM**

The ornamental design for a stand for television receiver, as shown and described.

DESCRIPTION

1. Stand for television receiver
1.1 : Perspective
1.2 : Front
1.3 : Back
1.4 : Left
1.5 : Right
1.6 : Top
1.7 : Bottom
The broken lines depict portions of the stand for television receiver that form no part of the claimed design.

1 Claim, 7 Drawing Sheets



(56)

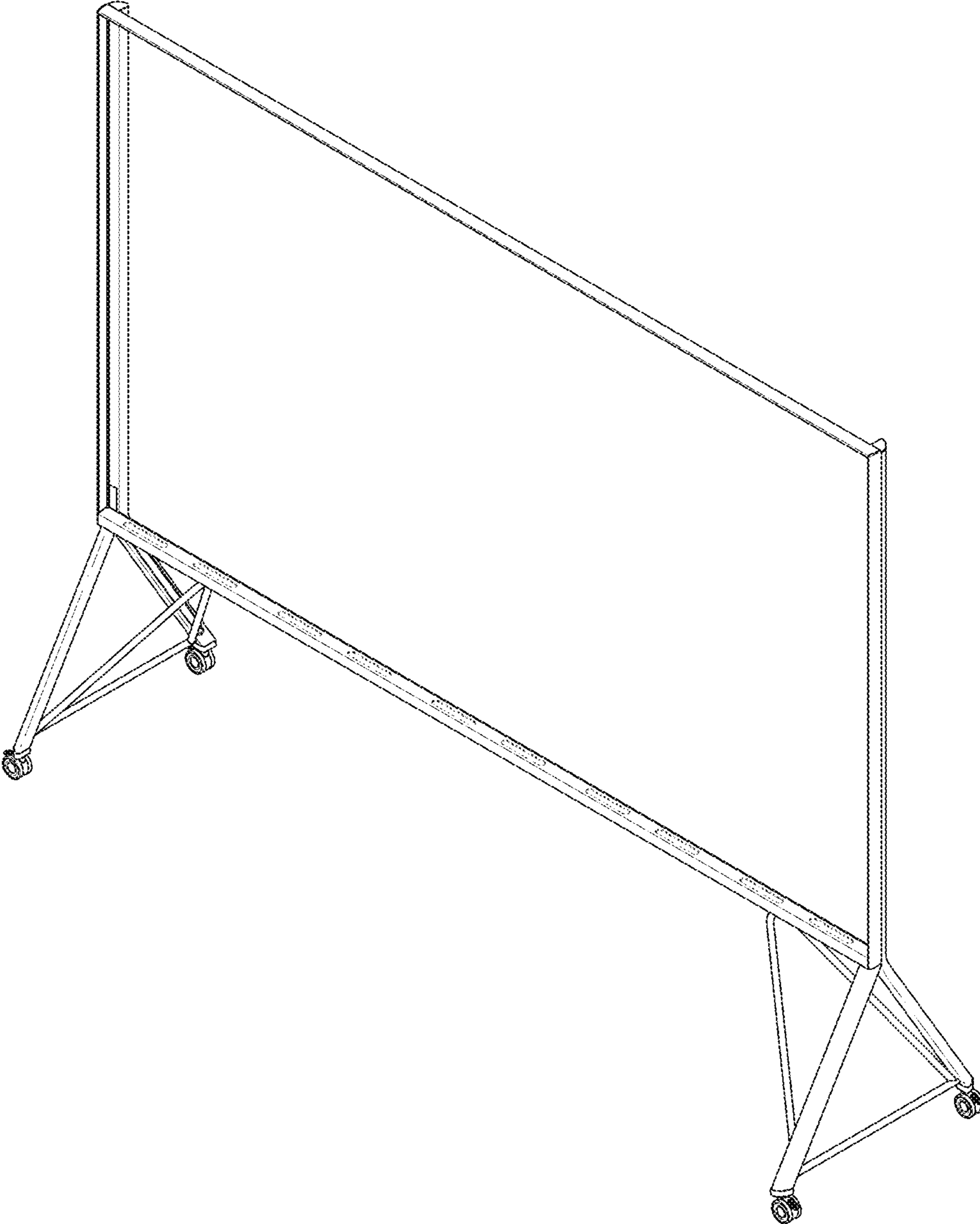
References Cited

U.S. PATENT DOCUMENTS

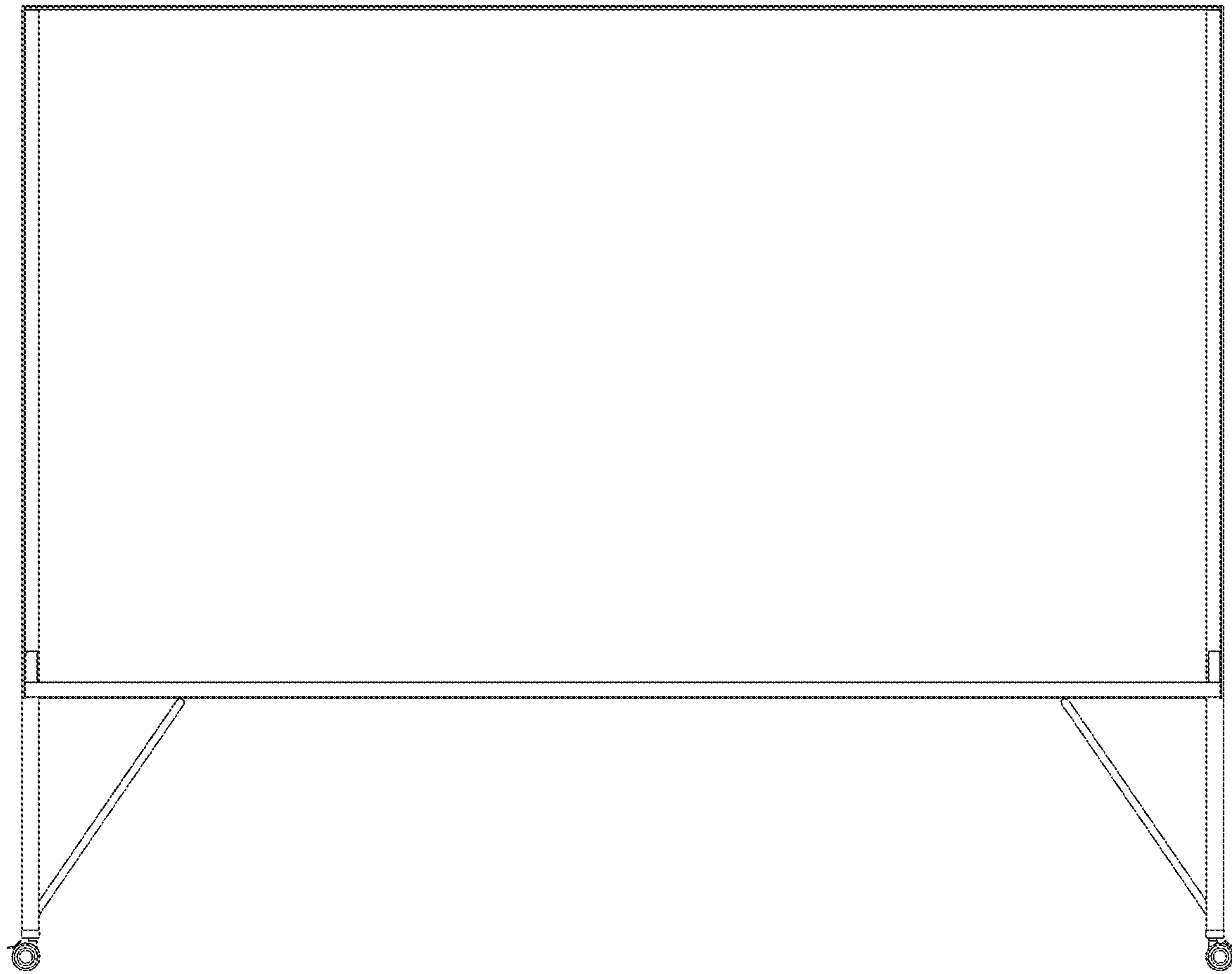
D796,494	S	*	9/2017	Woo	D14/239
D817,900	S	*	5/2018	So	D14/126
D820,818	S	*	6/2018	Heckler	D14/239
D822,670	S	*	7/2018	Hubert	D14/451
D823,843	S	*	7/2018	Kim	D14/239
D824,889	S	*	8/2018	Debaigue	D14/239
D824,891	S	*	8/2018	Kim	D14/239
D831,647	S	*	10/2018	Woo	D14/374
D836,583	S	*	12/2018	Cha	D14/126
D847,802	S	*	5/2019	Kim	D14/239
D848,991	S	*	5/2019	Hwang	D14/239
D855,612	S	*	8/2019	Lim	D14/374
D857,676	S	*	8/2019	Kim	D14/239
D858,473	S	*	9/2019	Lee	D14/126
D862,432	S	*	10/2019	Fernandez Rubio	D14/239
D866,295	S	*	11/2019	Lee	D8/354
D870,713	S	*	12/2019	Lee	D14/239
D884,697	S	*	5/2020	Park	D14/375
D886,821	S	*	6/2020	Escolin	D14/375
D888,695	S	*	6/2020	Seong	D14/230
D897,324	S	*	9/2020	Lee	D14/239
D901,470	S	*	11/2020	Kim	D14/239
D904,992	S	*	12/2020	Kim	D14/126
D905,649	S	*	12/2020	Kim	D14/126
D905,651	S	*	12/2020	Lee	D14/126
D905,652	S	*	12/2020	Lee	D14/126
D912,029	S	*	3/2021	Kim	D14/239
D913,370	S	*	3/2021	Hwang	D19/114
D914,654	S	*	3/2021	Pei	D14/239
D914,661	S	*	3/2021	Kim	D14/239
D916,690	S	*	4/2021	Kuroda	D14/239
D917,438	S	*	4/2021	Kuroda	D14/239
D932,475	S	*	10/2021	Jia	D14/239
2015/0146389	A1	*	5/2015	Okata	H05K 7/02 361/752

* cited by examiner

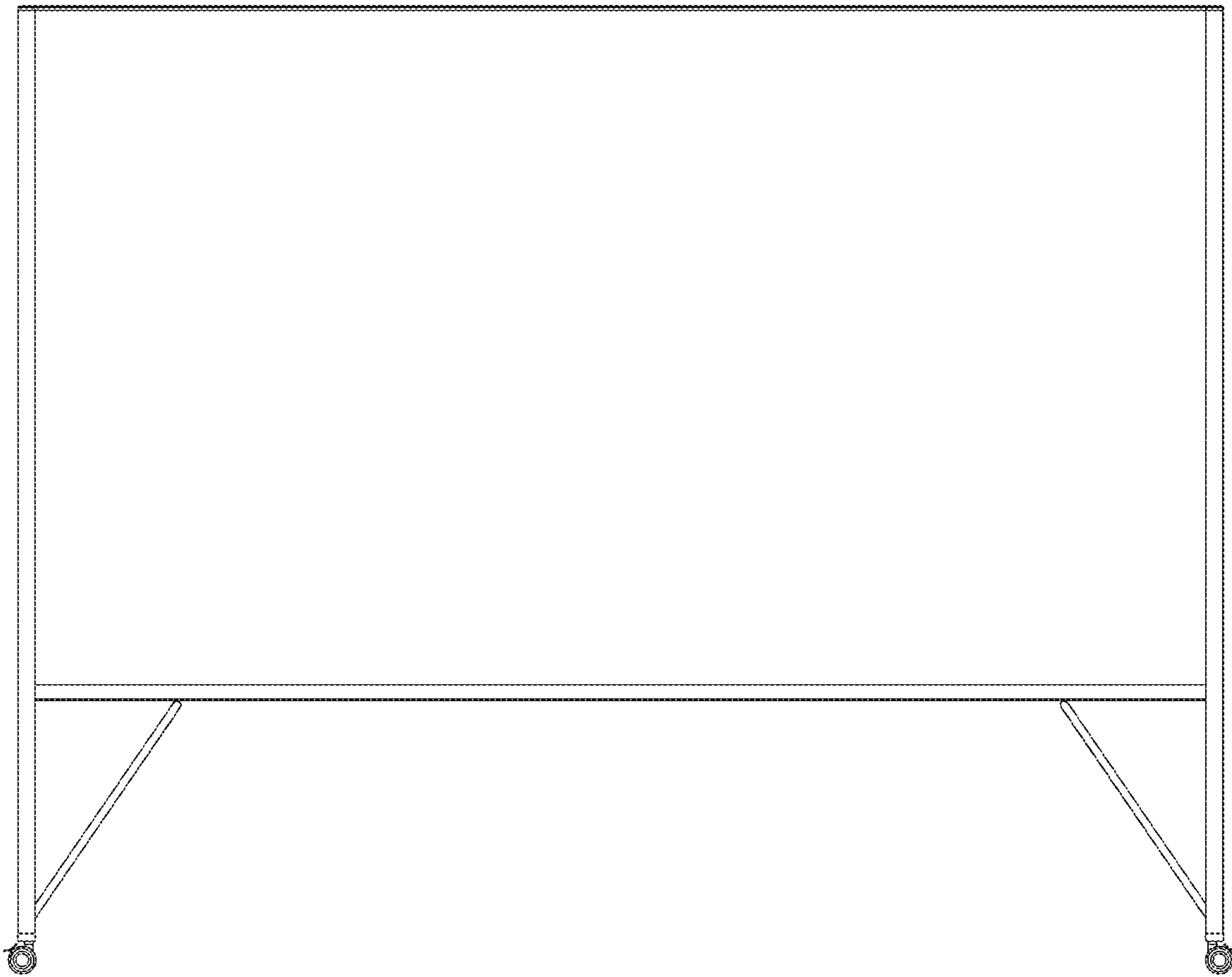
1.1



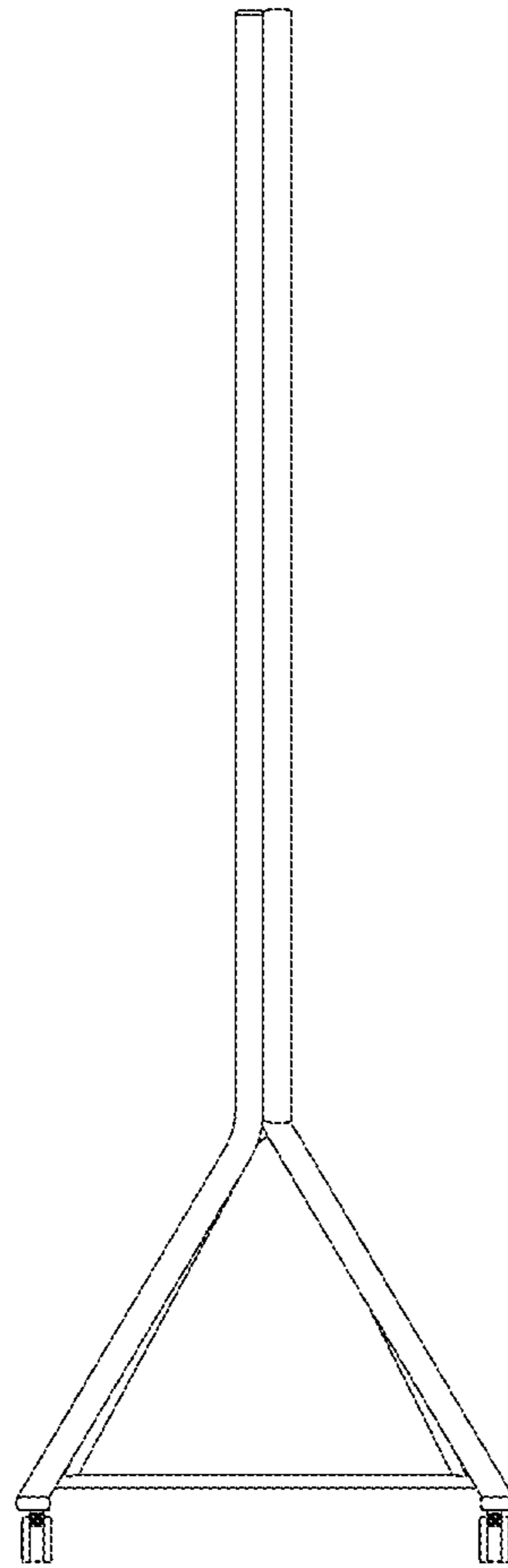
1.2



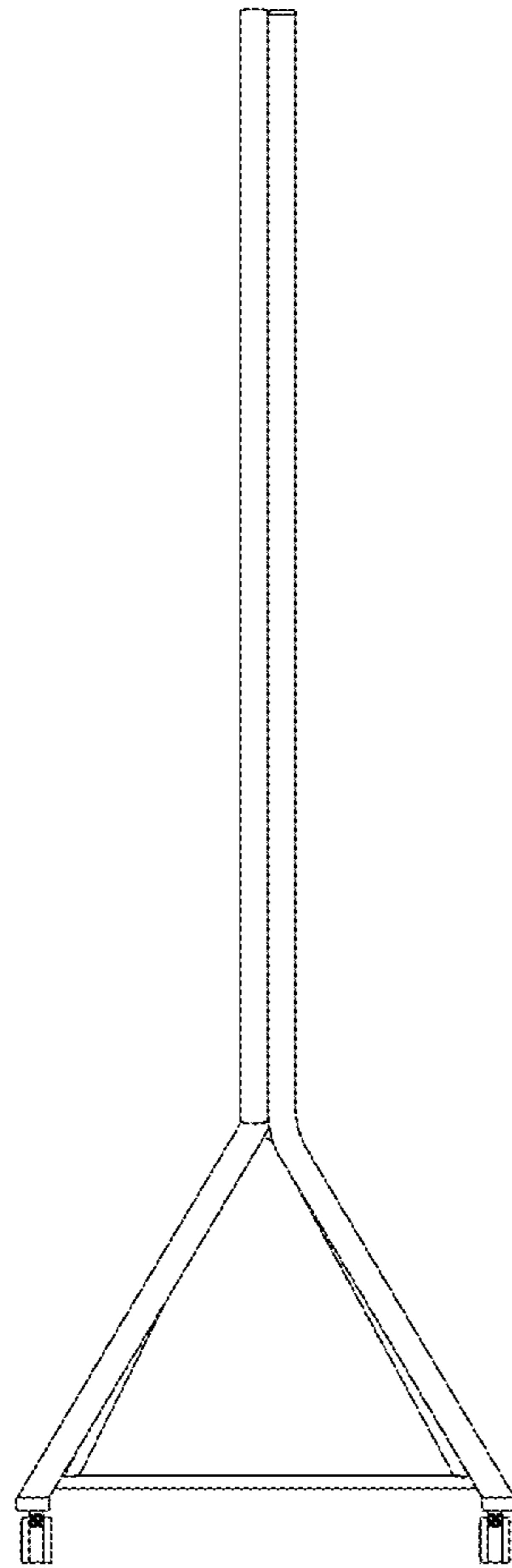
1.3



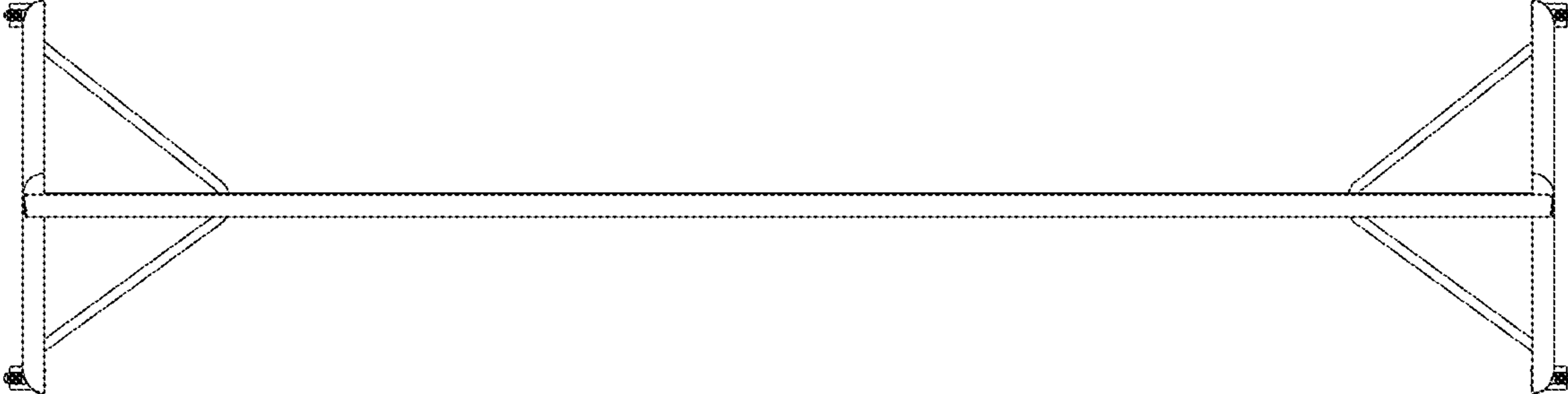
1.4



1.5



1.6



1.7

