



US00D955349S

(12) **United States Design Patent**  
**Kim et al.**

(10) **Patent No.:** **US D955,349 S**

(45) **Date of Patent:** **\*\* Jun. 21, 2022**

(54) **TELEVISION SET**

(71) Applicant: **LG DISPLAY CO., LTD.**, Seoul (KR)

(72) Inventors: **Inyoung Kim**, Paju-si (KR); **Dongkyu Yoon**, Paju-si (KR); **Jiwon Song**, Paju-si (KR)

(73) Assignee: **LG DISPLAY CO., LTD.**, Seoul (KR)

(\*\*) Term: **15 Years**

(21) Appl. No.: **29/761,809**

(22) Filed: **Dec. 11, 2020**

(30) **Foreign Application Priority Data**

Jun. 30, 2020 (KR) ..... 30-2020-0029890

(51) **LOC (13) Cl.** ..... **14-03**

(52) **U.S. Cl.**  
USPC ..... **D14/126**

(58) **Field of Classification Search**

USPC ..... D14/126, 128, 129, 130, 132, 133, 159,  
D14/239, 307, 336, 371, 374, 375, 376,  
D14/377, 383, 448, 451, 496, 343, 449;  
D20/10, 18, 19, 21, 39

CPC .... G06F 1/1601; G06F 1/1605; G06F 1/1607;  
G06F 1/1637; G06F 1/1642; G06F 1/182;  
G06F 1/20; G06F 2200/1612; G06F  
3/0421; G06F 3/0428; G06F 3/0488;  
G06F 3/1446; H04N 5/02; H04N 5/64;  
H04N 1/00522; H05K 7/18; H05K 7/183;  
H05K 7/186

See application file for complete search history.

(56) **References Cited**

**U.S. PATENT DOCUMENTS**

D292,213 S \* 10/1987 Nezu ..... D14/377  
D322,063 S \* 12/1991 Oyama ..... D14/377  
D323,324 S \* 1/1992 Suda ..... D14/126  
D476,655 S \* 7/2003 Liu ..... D14/375  
D481,726 S \* 11/2003 Olson ..... D14/375  
D483,037 S \* 12/2003 Whitehorn ..... D14/375

D559,846 S \* 1/2008 Vesco ..... D14/375  
D599,791 S \* 9/2009 Kuang ..... D14/375  
D639,267 S \* 6/2011 DeLorenzo ..... D14/130  
D699,205 S \* 2/2014 Kim ..... D14/126

(Continued)

**OTHER PUBLICATIONS**

One:Quick Flex\_All-in-One Display—LG. (online PDF) 6 pgs.  
Available Jan. 18, 2021. [Retrieved Mar. 22, 2022] [https://www.lg.com/global/business/download/resources/CT00000221/LG%20OneQuick%20Flex\\_Datasheet\\_for%20Business\\_43HT3WJ\\_211117\[20211119\\_132408\].pdf](https://www.lg.com/global/business/download/resources/CT00000221/LG%20OneQuick%20Flex_Datasheet_for%20Business_43HT3WJ_211117[20211119_132408].pdf).\*

(Continued)

*Primary Examiner* — Marie D. Fast Horse

(74) *Attorney, Agent, or Firm* — Birch, Stewart, Kolasch & Birch, LLP

(57) **CLAIM**

The ornamental design for a television set, as shown and described.

**DESCRIPTION**

FIG. 1 is a front, right perspective view of a television set showing our new design in which a display panel is horizontally used;

FIG. 2 is a front view thereof;

FIG. 3 is a rear view thereof;

FIG. 4 is a left side view thereof;

FIG. 5 is a right side view thereof;

FIG. 6 is a top plan view thereof;

FIG. 7 is a bottom plan view thereof;

FIG. 8 is a front, right perspective view of the television set of FIG. 1, shown in a vertical position for use;

FIG. 9 is a front view thereof;

FIG. 10 is a rear view thereof;

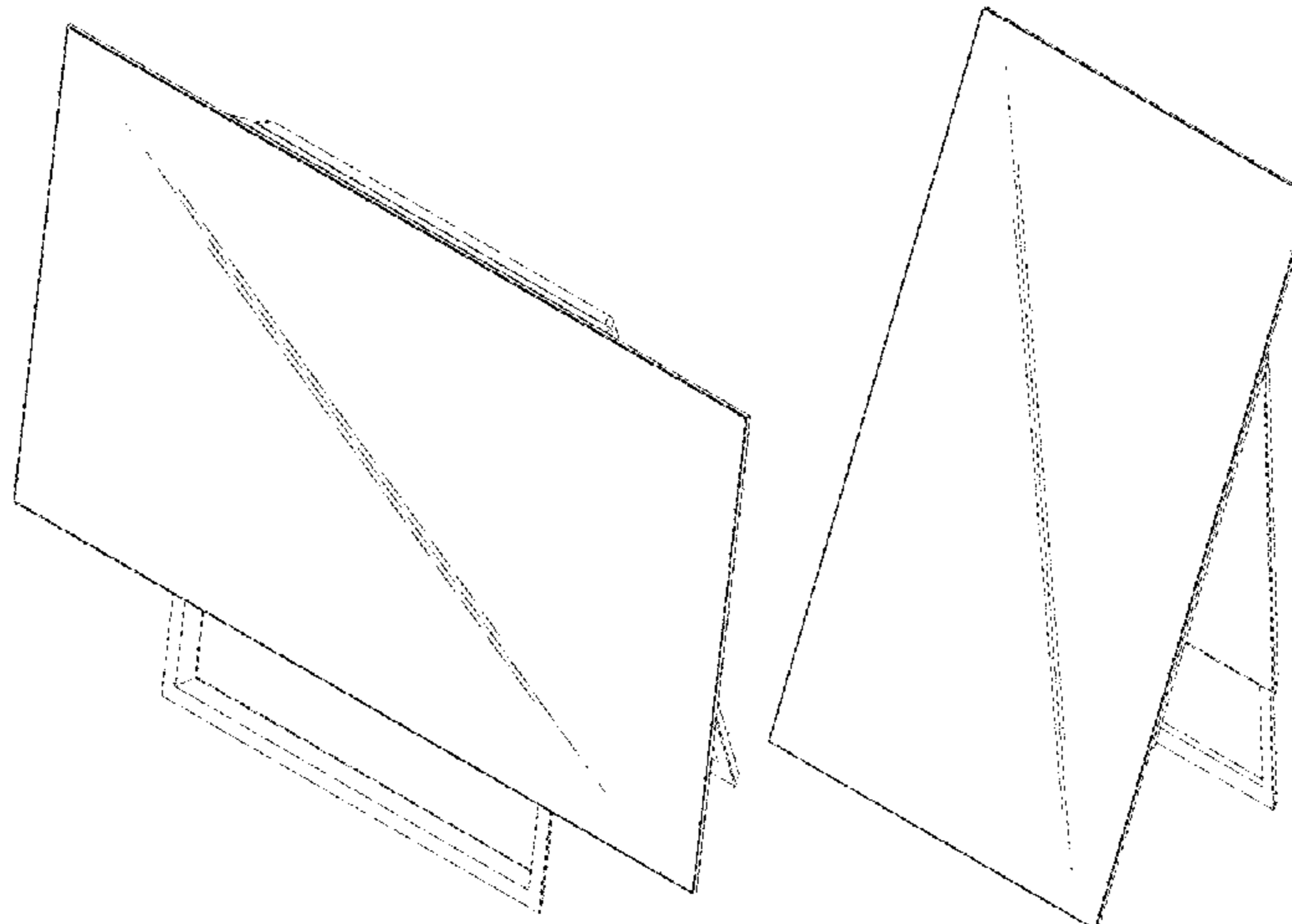
FIG. 11 is a left side view thereof;

FIG. 12 is a right side view thereof;

FIG. 13 is a top plan view thereof; and,

FIG. 14 is a bottom plan view thereof.

**1 Claim, 14 Drawing Sheets**



(56)

**References Cited**

## U.S. PATENT DOCUMENTS

D725,058	S	*	3/2015	Kim	.....	D14/126
D725,619	S	*	3/2015	Choi	.....	D14/126
D727,899	S	*	4/2015	Lee	.....	D14/374
D749,070	S	*	2/2016	Oh	.....	D14/341
D752,095	S	*	3/2016	Lee	.....	D14/489
D765,660	S	*	9/2016	Kim	.....	D14/375
D769,240	S	*	10/2016	Yu	.....	D14/336
D818,998	S	*	5/2018	Lee	.....	D14/239
D819,018	S	*	5/2018	Tsai	.....	D14/341
D820,846	S	*	6/2018	Lee	.....	D14/451
D825,234	S	*	8/2018	He	.....	D6/675.4
D826,930	S	*	8/2018	Iida	.....	D14/341
10,328,748	B1	*	6/2019	Kim	.....	G06F 1/16
D860,148	S	*	9/2019	Kim	.....	D14/126
D886,821	S	*	6/2020	Escolin	.....	D14/336
D893,480	S	*	8/2020	Kim	.....	D14/375
D901,499	S	*	11/2020	Clinton	.....	D14/371
D912,049	S	*	3/2021	Zhang	.....	D14/375
D913,370	S	*	3/2021	Hwang	.....	D19/114
D916,964	S	*	4/2021	Pereira	.....	D19/113
D917,465	S	*	4/2021	Zhang	.....	D14/341
D926,881	S	*	8/2021	Pereira	.....	D19/113
D946,544	S	*	3/2022	Jang	.....	B64D 11/00154 D14/126

## OTHER PUBLICATIONS

Samsungs new TV rotates between landscape and portrait. (online)  
 7 pgs. Posted Jun. 2, 2020. [Retrieved Mar. 22, 2022] <https://www.fiercevideo.com/tech/samsung-s-new-tv-rotates-between-landscape-and-portrait>.\*

\* cited by examiner

FIG. 1

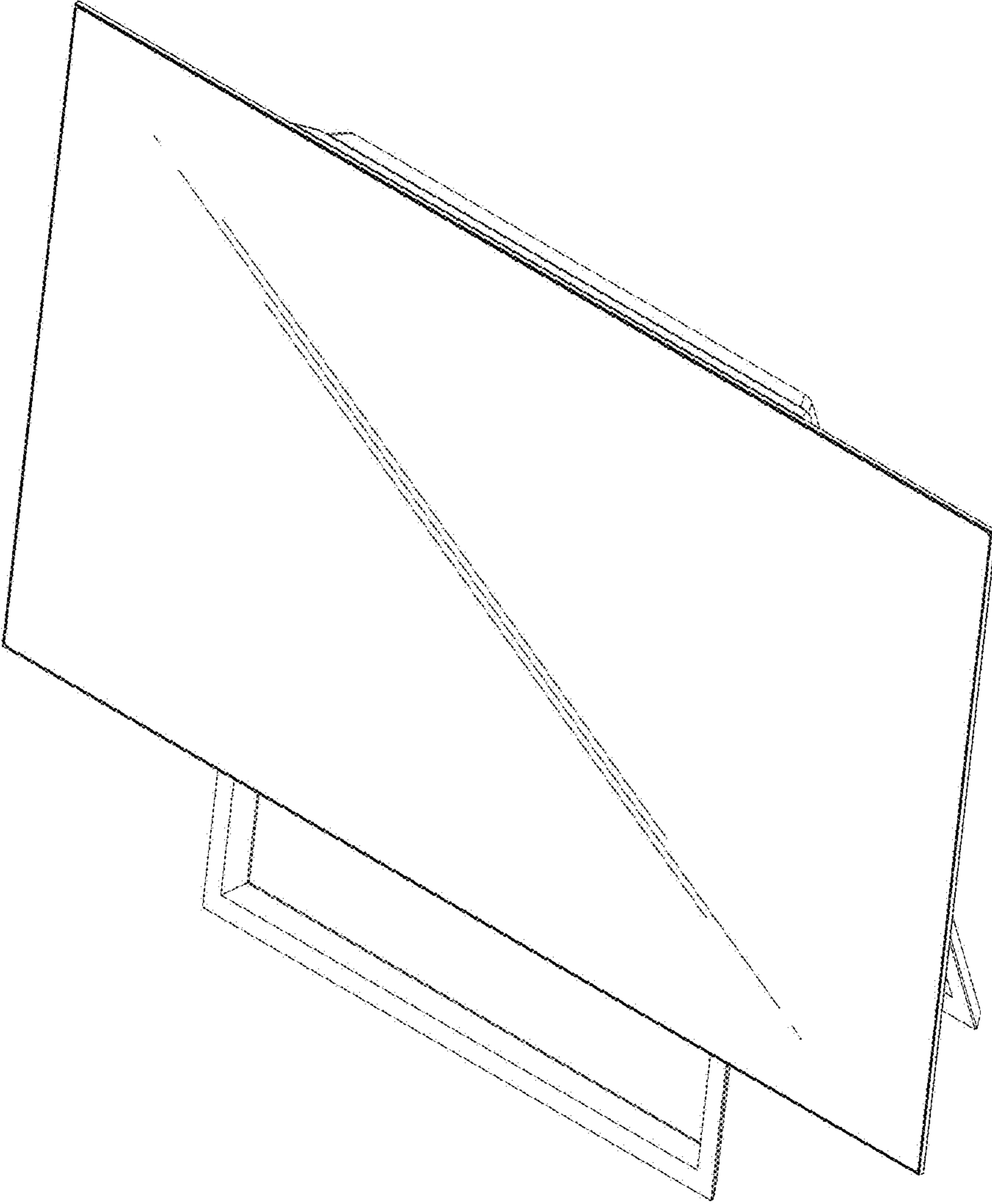


FIG. 2

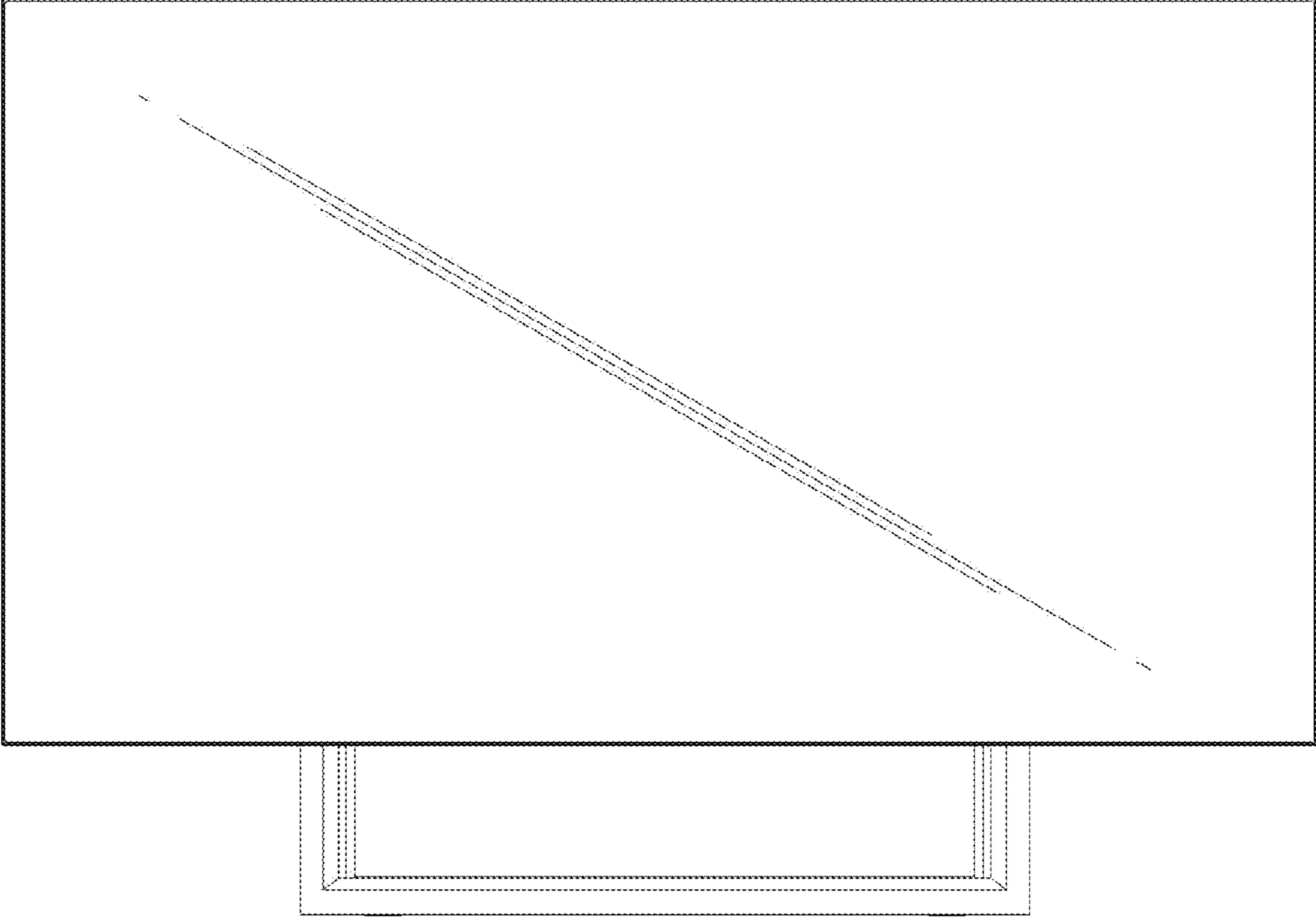


FIG. 3

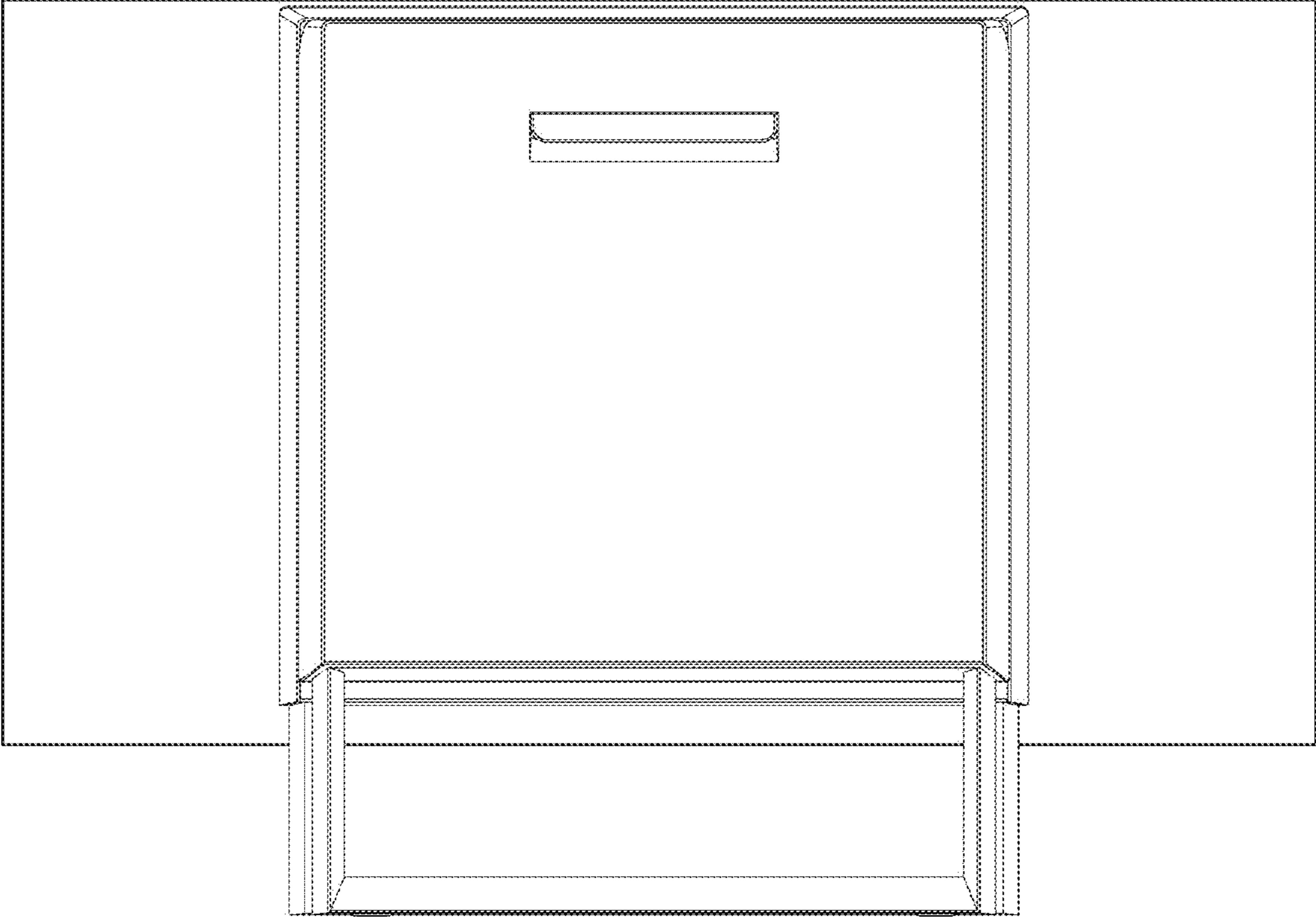


FIG. 4

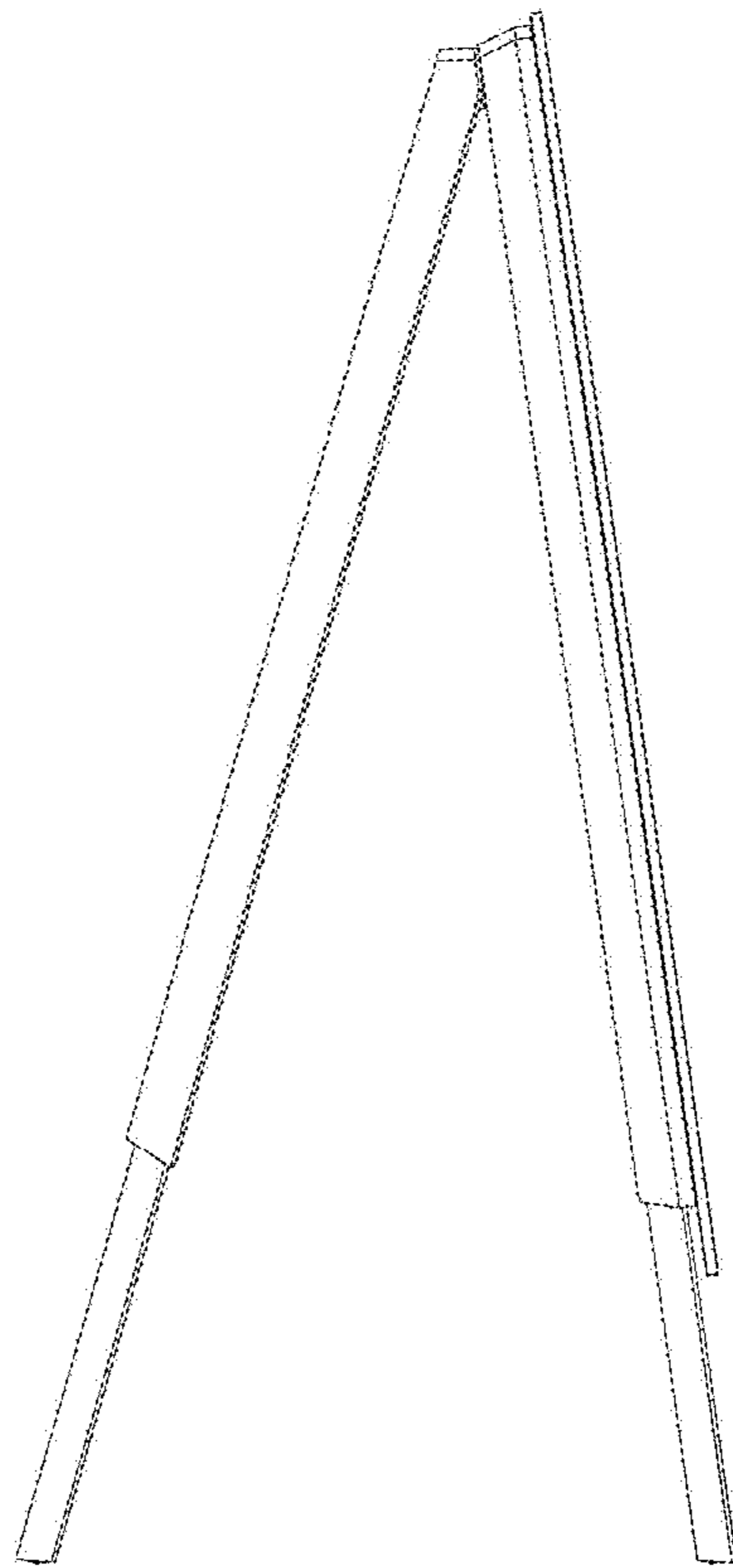


FIG. 5

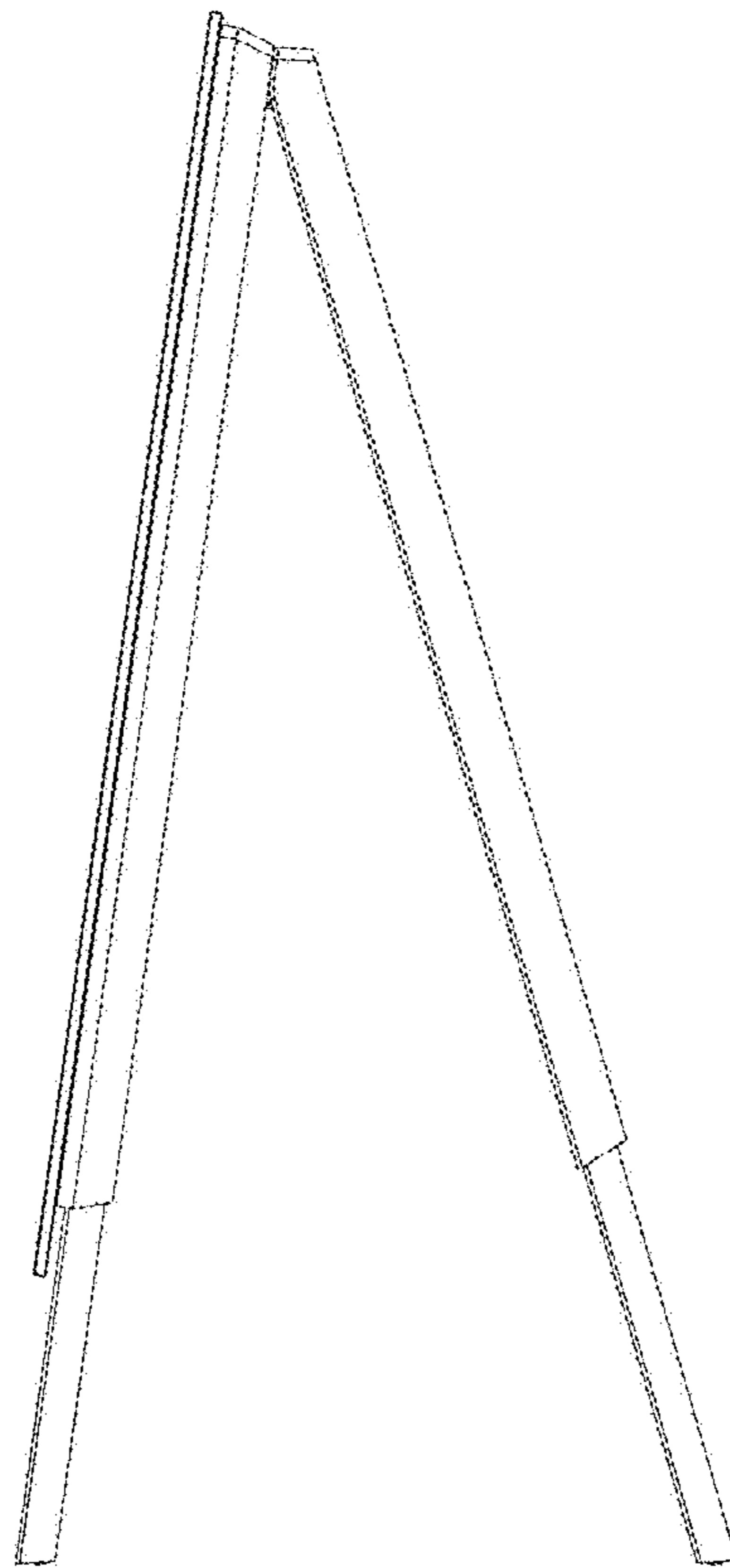


FIG. 6

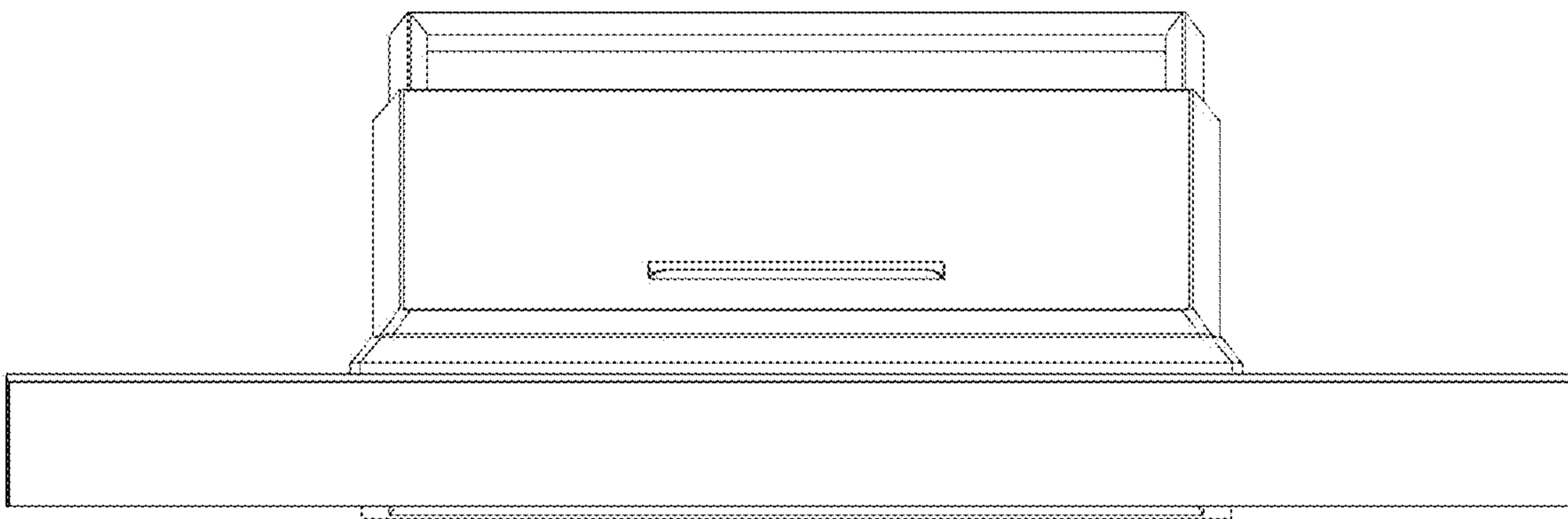




FIG. 7

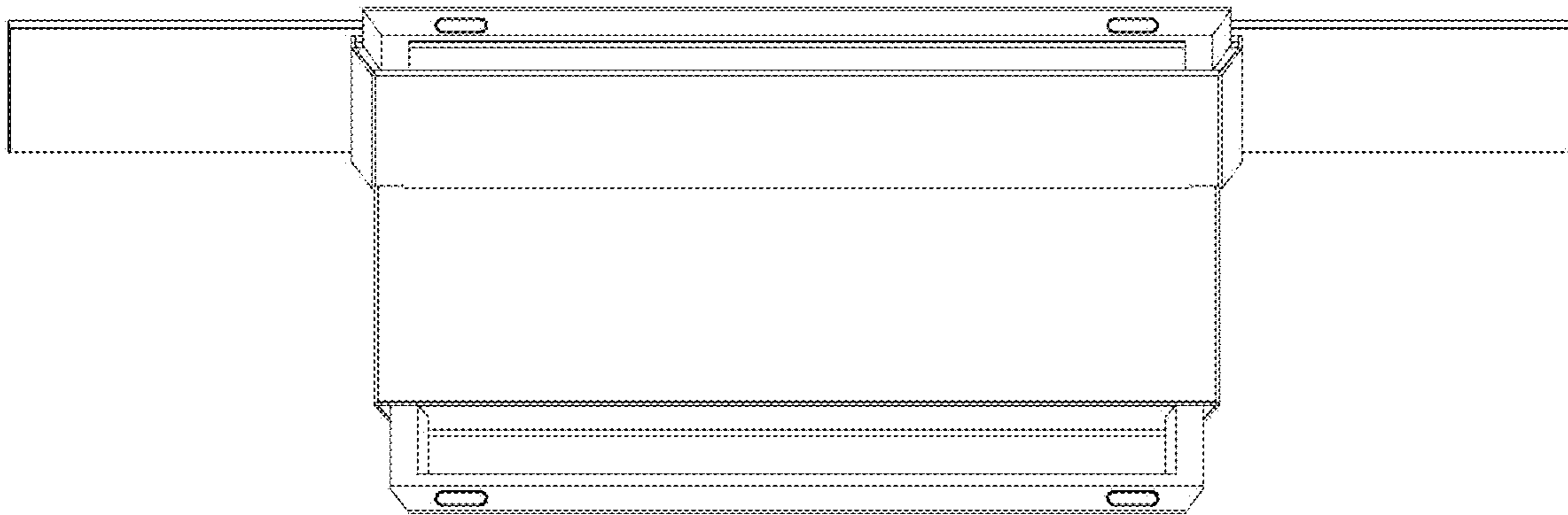


FIG. 8

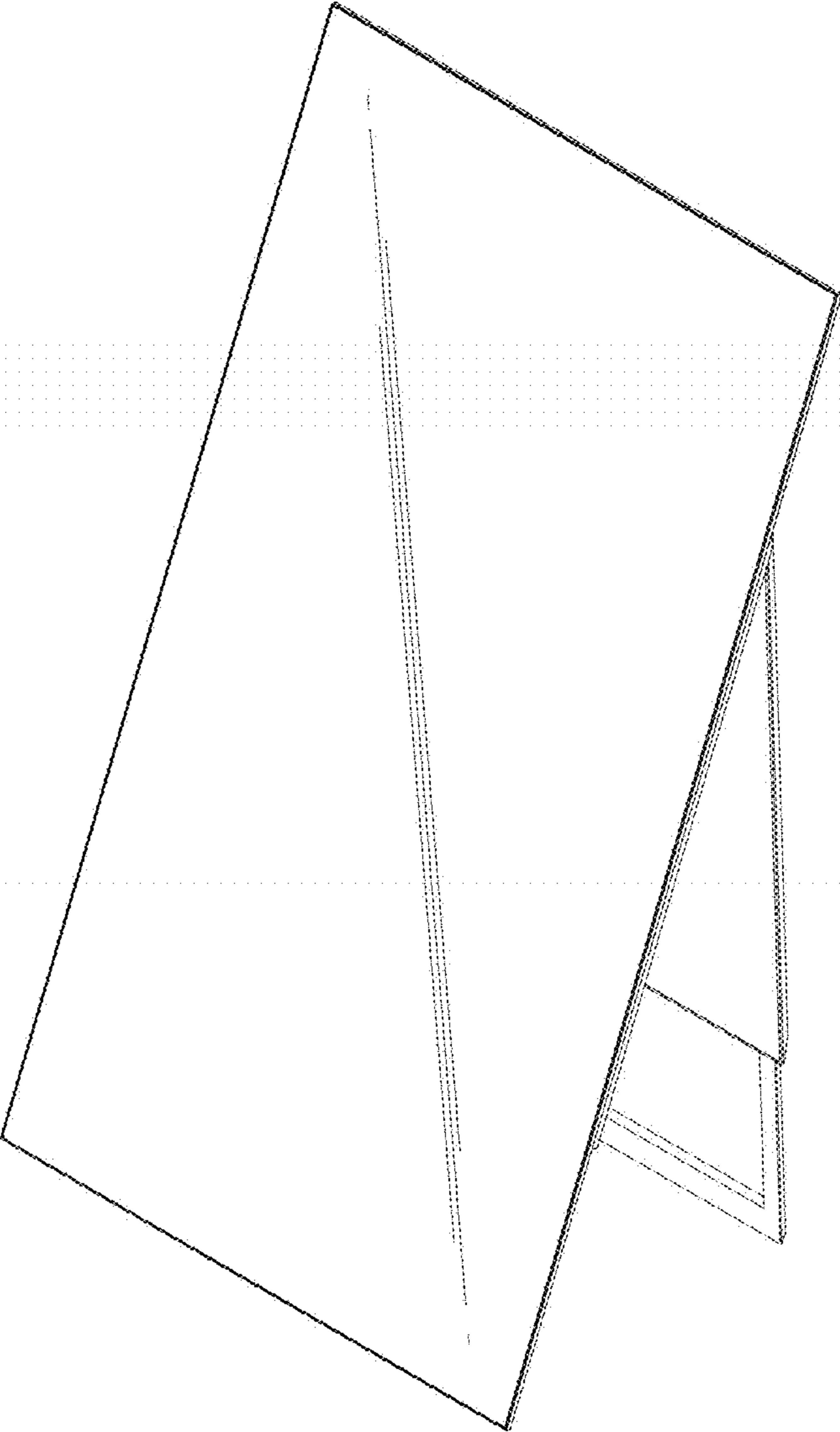


FIG. 9

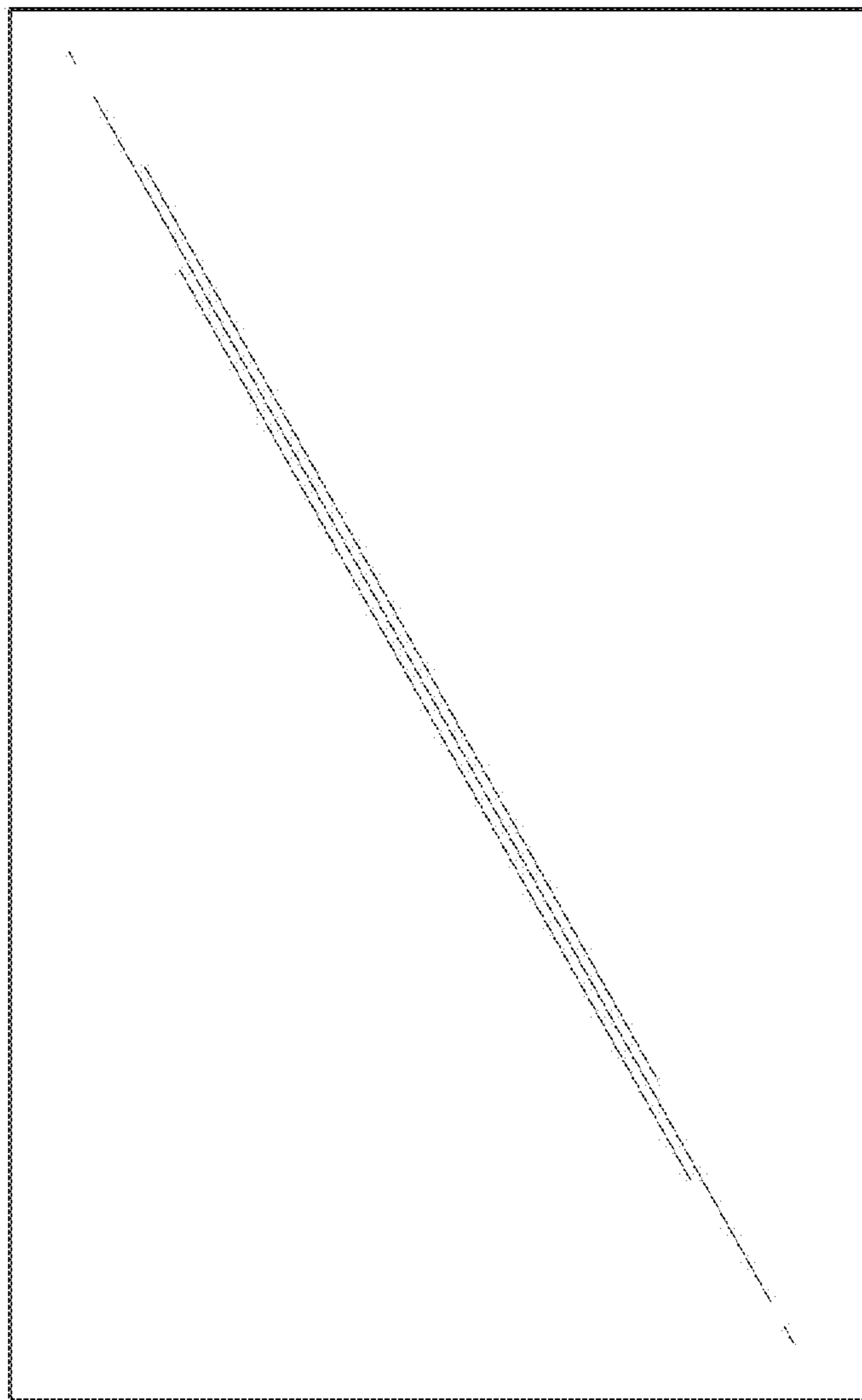


FIG. 10

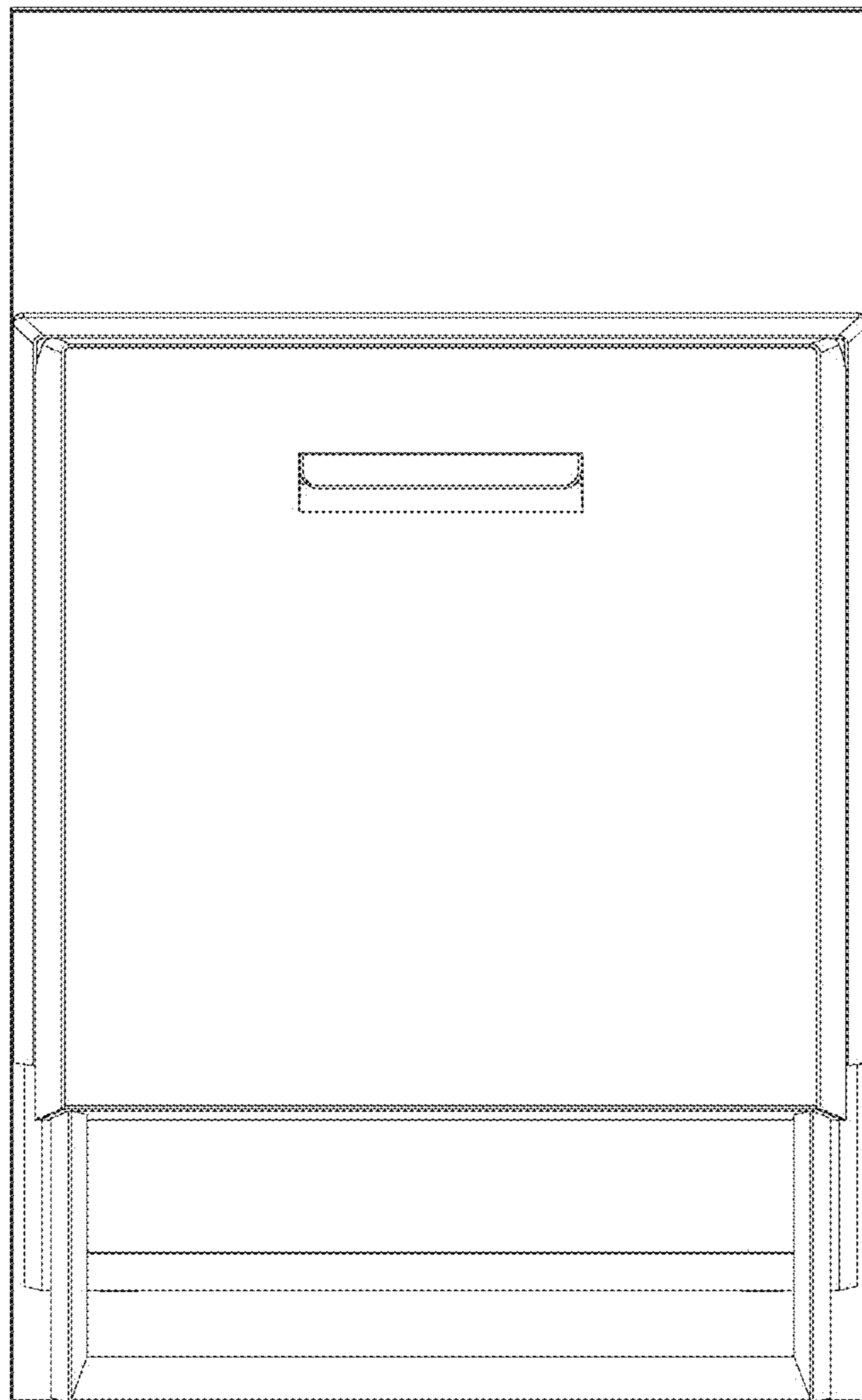


FIG. 11

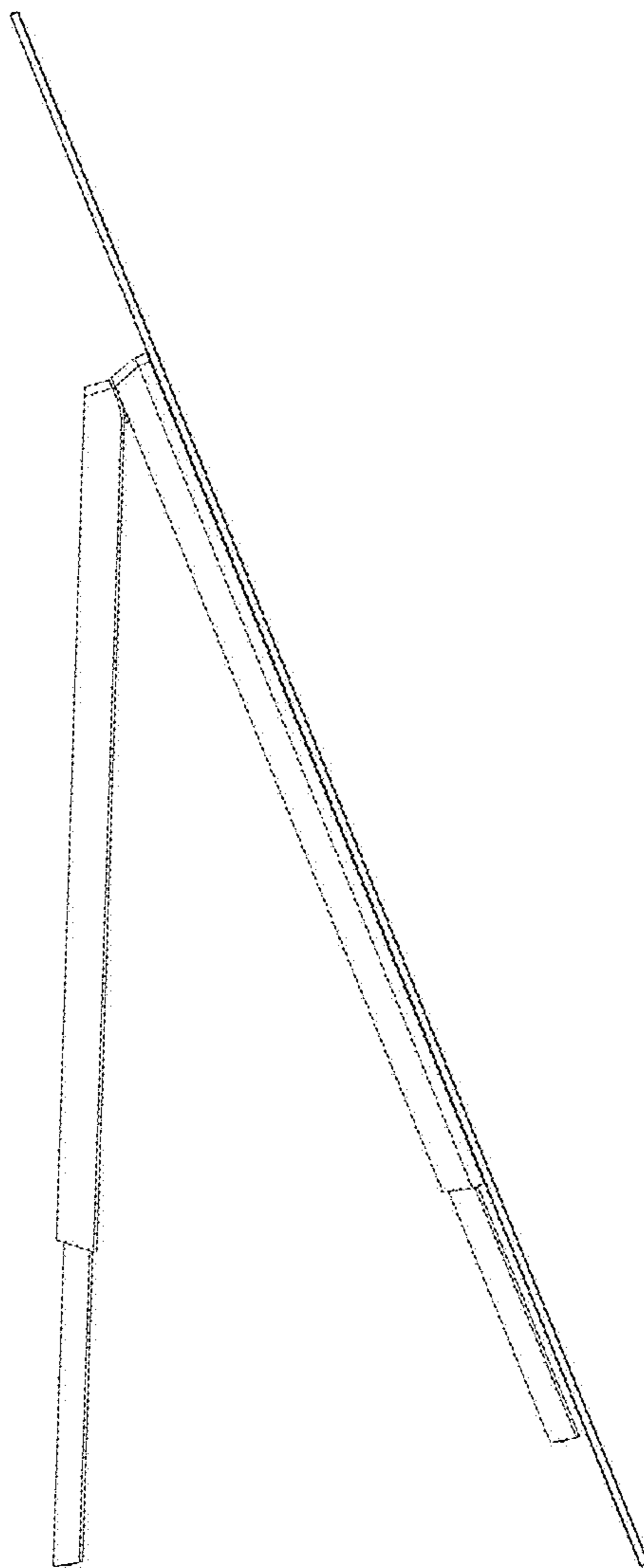


FIG. 12

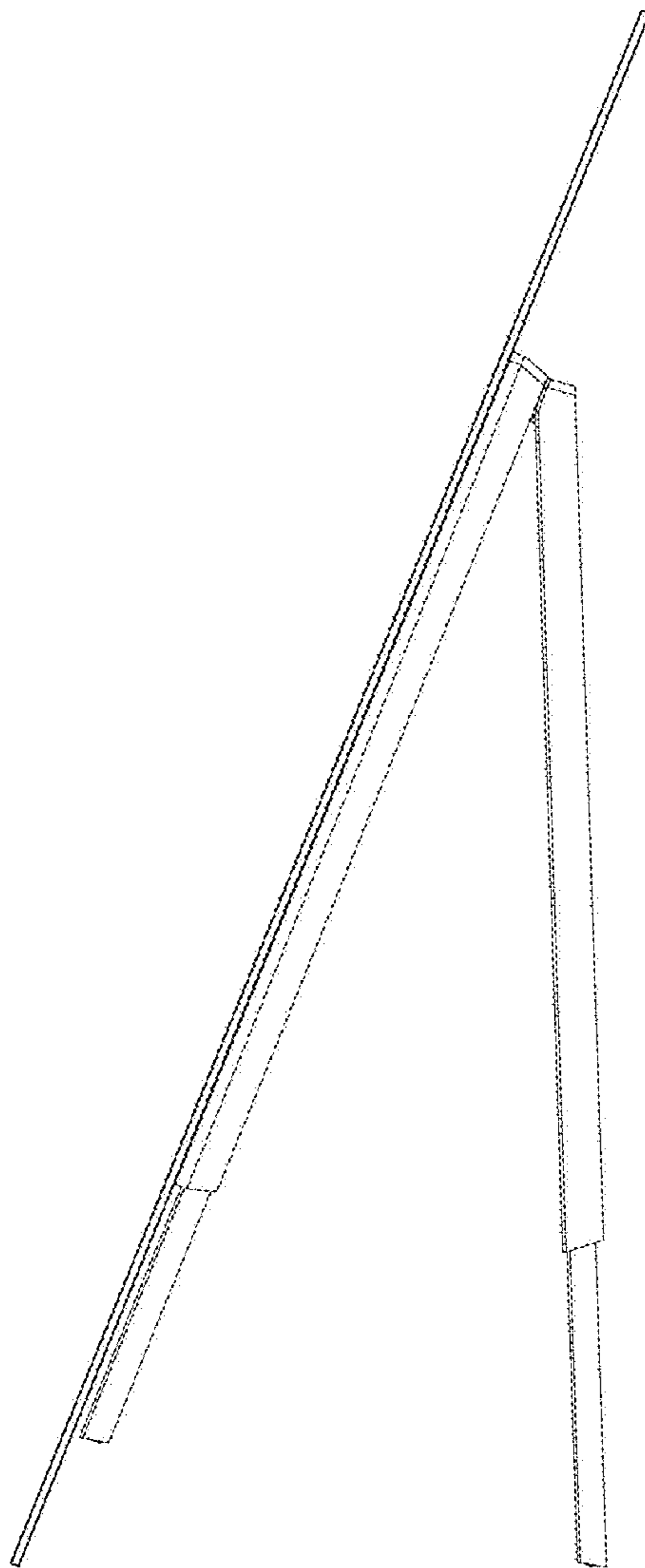


FIG. 13

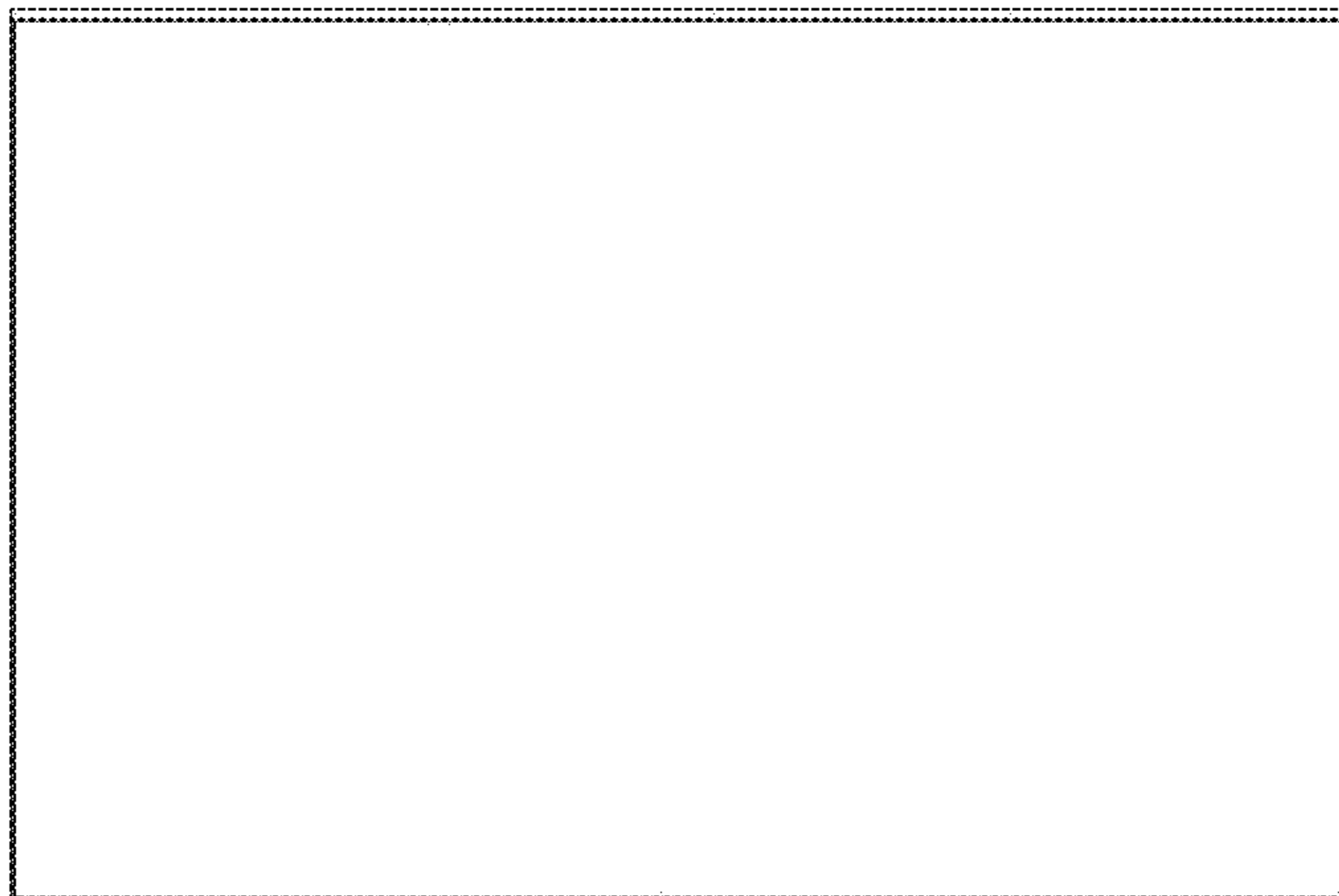


FIG. 14

